

9 Drawers Dresser Installation Manual



! WARNING



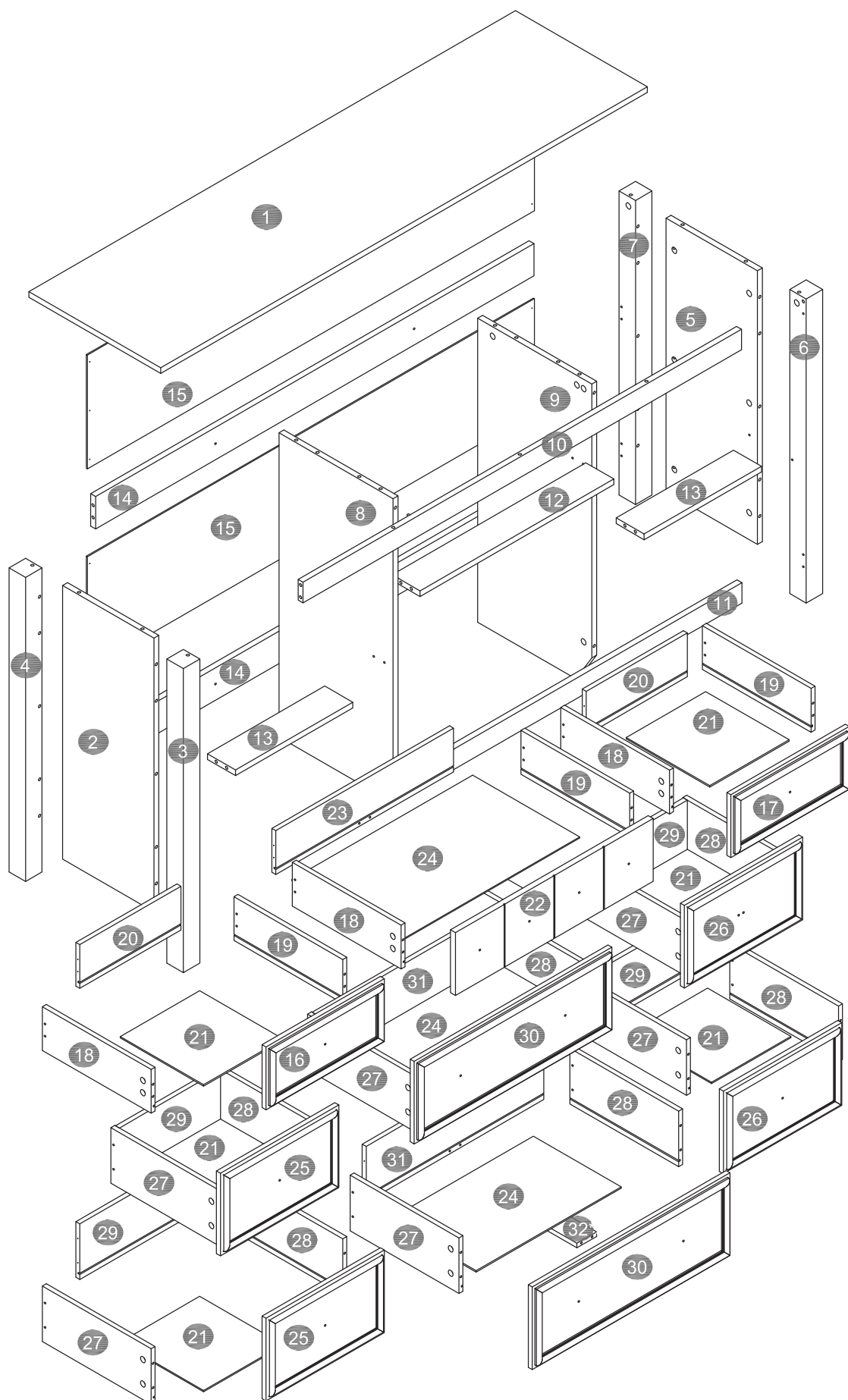
**Children have died from furniture tipover.
To reduce the risk of furniture tipover:**

- ALWAYS install tip-over restraint provided.
- NEVER open more than one drawer at a time.
- NEVER allow children to stand, climb or hang on drawers, doors, or shelves.
- Place heaviest items in the lowest drawers.
- FOR use with televisions weighing 135 lbs or less.
- Use with heavier televisions may result in instability causing tip-over resulting in death or serious injury.



**Use of tip-over restraints may only reduce,
but not eliminate, the risk of tip-over.**

STRUCTURE FOR REFERENCE TO ASSEMBLY



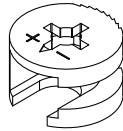
Hardware Provided

A



Ø6.5 x 32mm
X 95+4

B



Ø15 x 9mm
X 95+4

C



Ø8 x 30mm
X 18+2

D



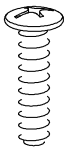
Ø8 x Ø4 x38mm
X 46+2

E



Ø33 x 23mm
X 14

F



M4 x 16mm
X 10

G



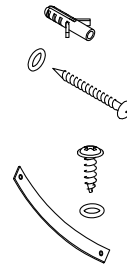
Ø6 x Ø3 x 12mm
X 108+6

H



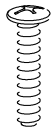
Ø7 x Ø3 x 12mm
X 38+3

I



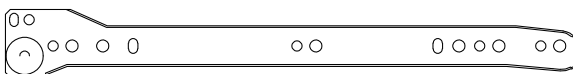
X 2 SET

J



M4 x 20mm
X 4

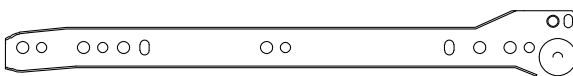
K



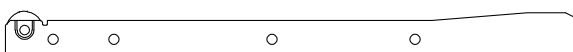
CL X 9



DL X 9



CR X 9

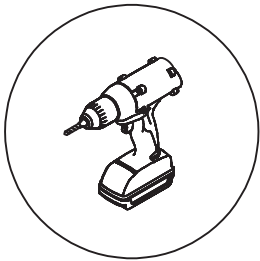


DR X 9

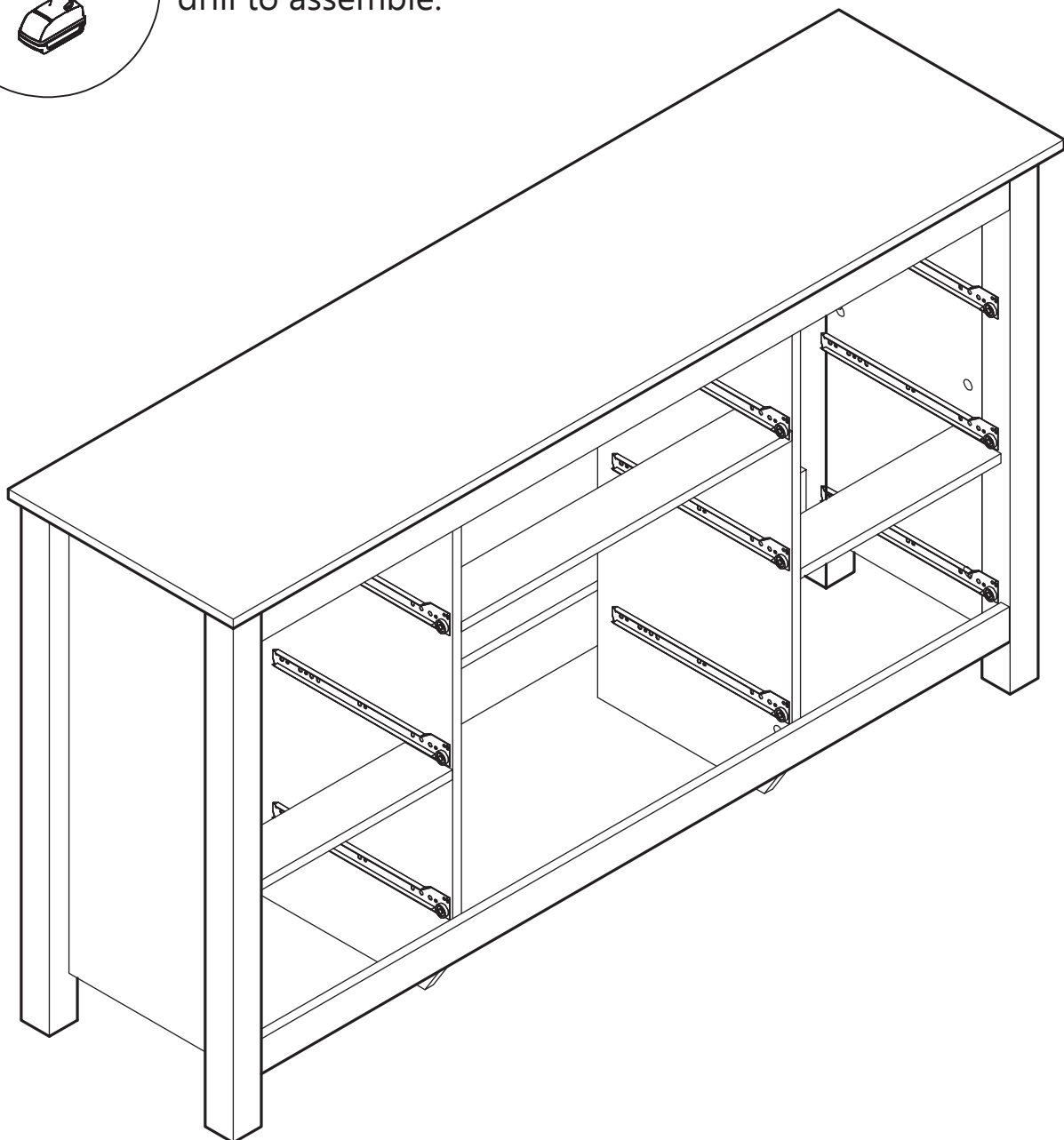
Attention: There are 4 kinds of slides in our product, in which 2 are Boards slides, which marked as **CL** & **CR** and contains 9 pieces respectively, and the other 2 are the Drawer slides, which marked as **DL** & **DR** and contains 9 pieces respectively.

Before installing the product, observe the general structure.
It is divided into 5 parts in total:

1. Install the Drawers
2. Install the Drawers Slides
3. Install the Boards and Slides(②⑤⑧⑨)
4. Install the Frame Part (⑪⑫⑬⑭)
5. Install the Top Panel #① and Back Panel #⑮

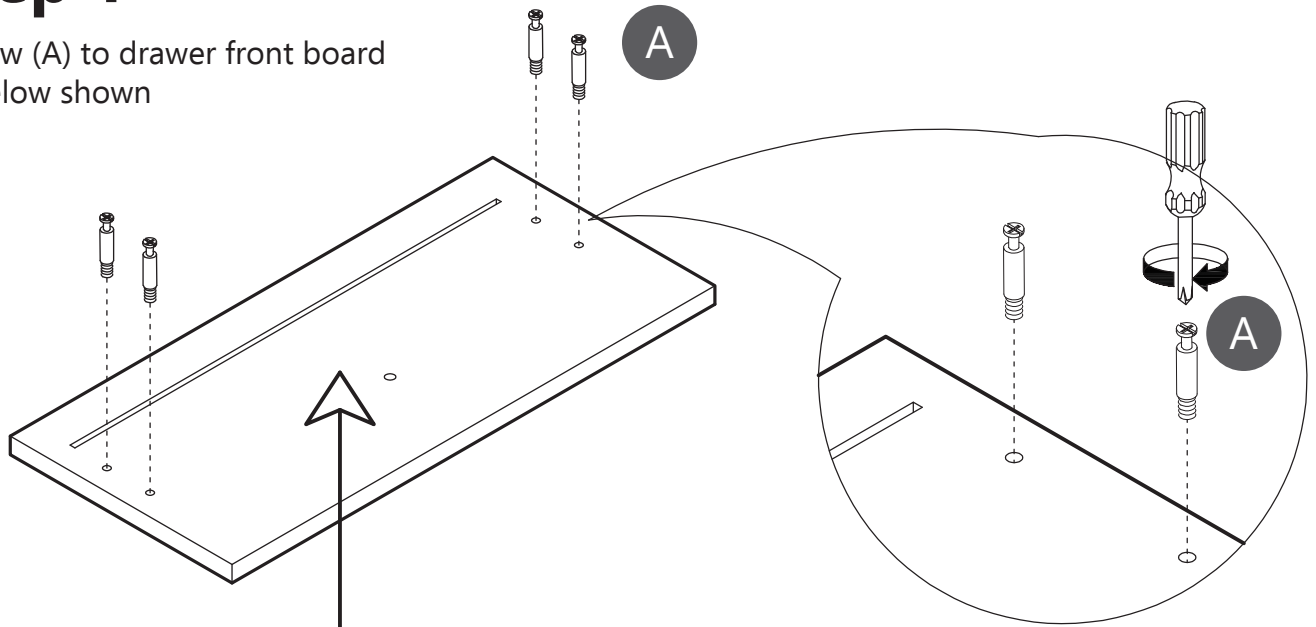


We recommend using a power drill to assemble.

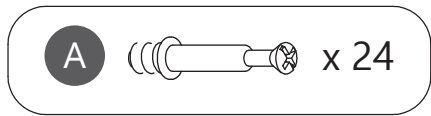


Step 1

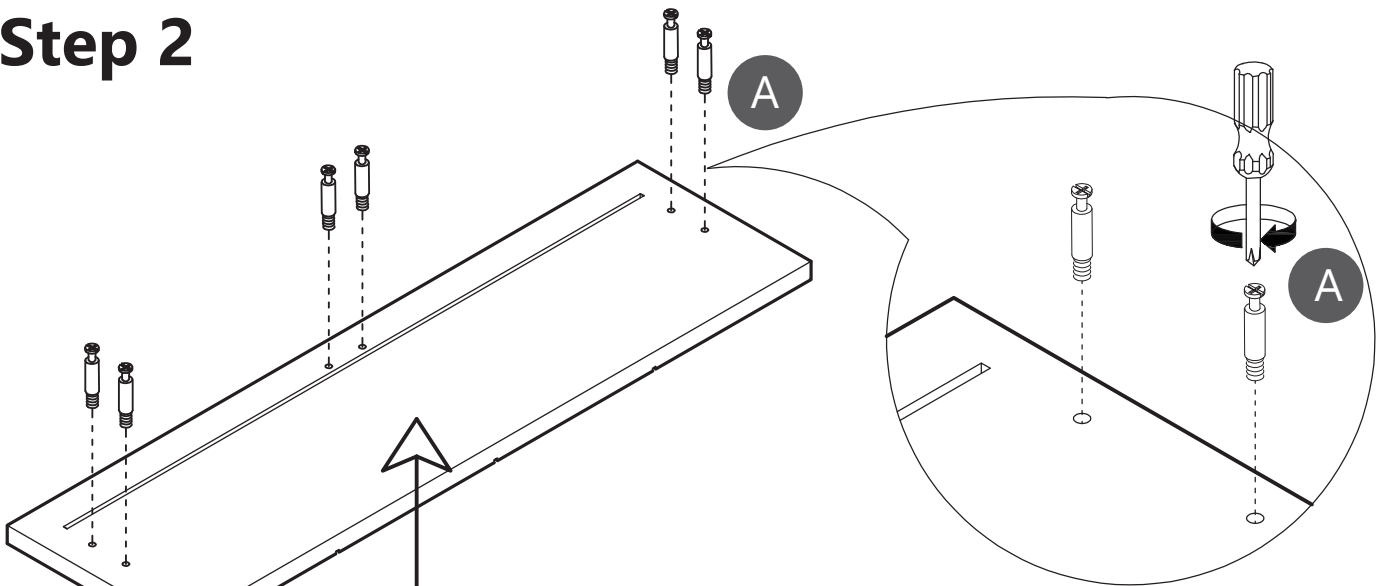
-Screw (A) to drawer front board as below shown



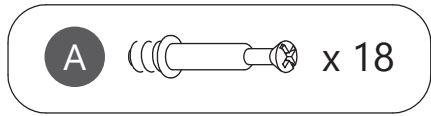
- | | |
|-----------------|---------------------|
| 16 Left drawer | 25 Left drawer x 2 |
| 17 Right drawer | 26 Right drawer x 2 |



Step 2

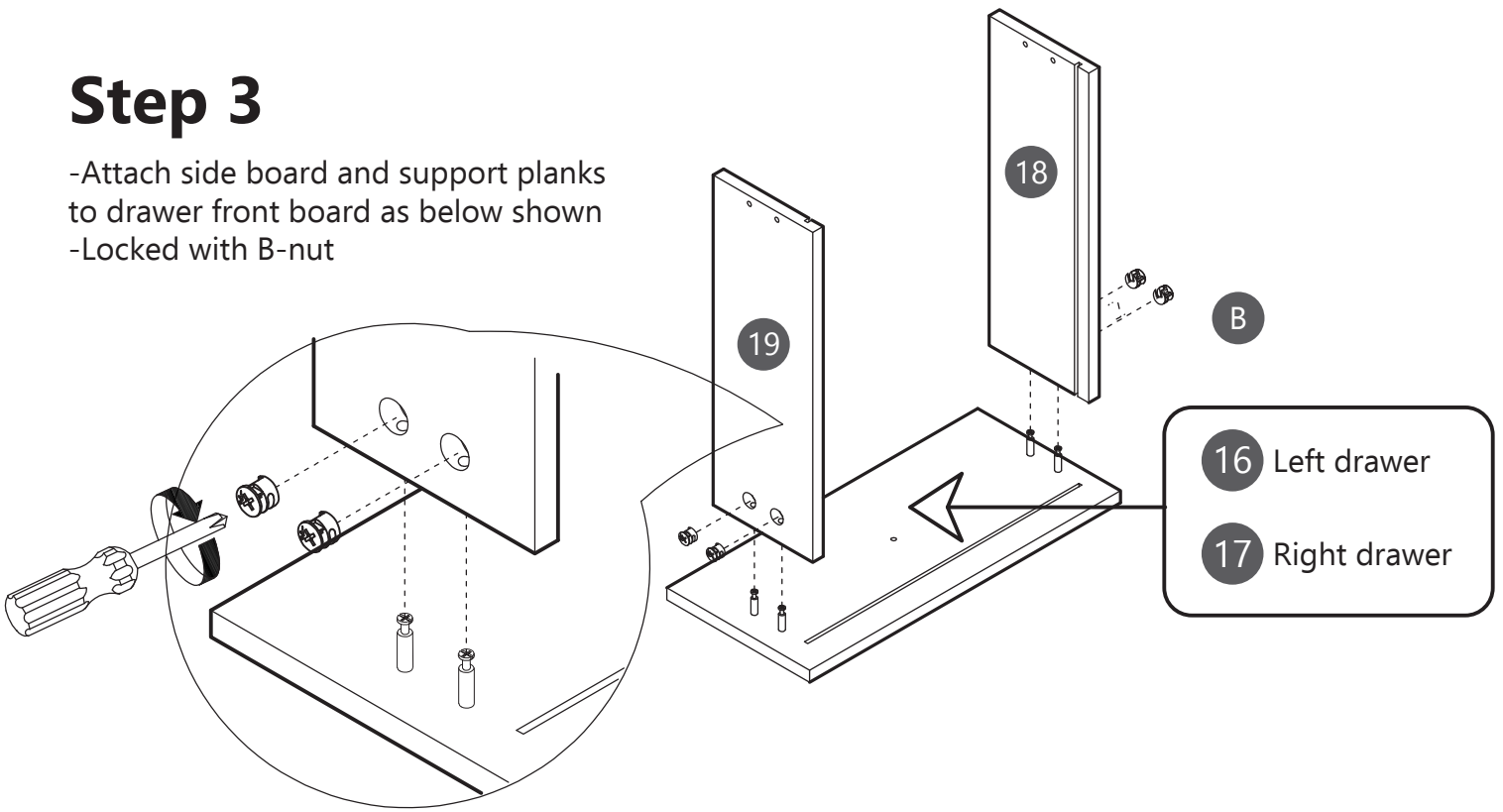


- | |
|----------------------|
| 22 Middle drawer |
| 30 Middle drawer x 2 |

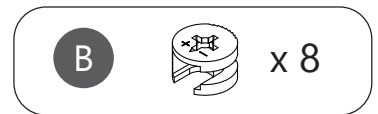


Step 3

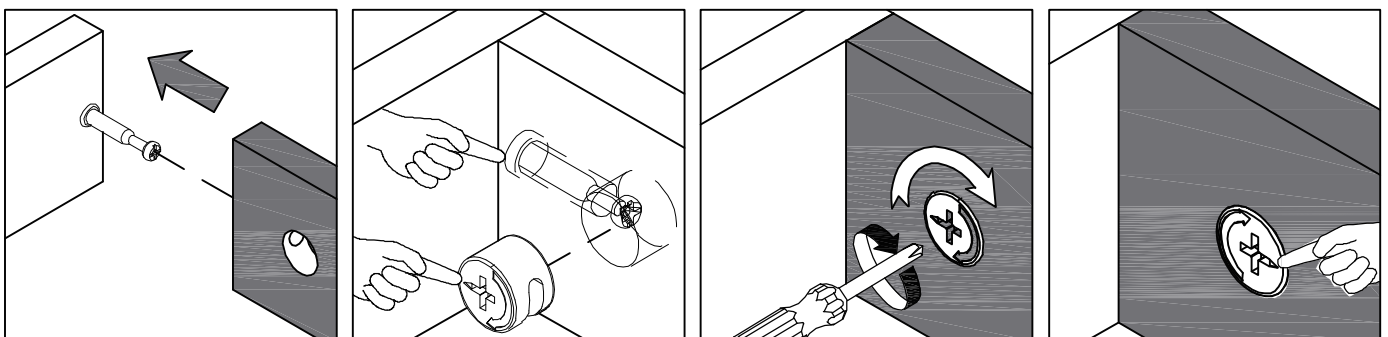
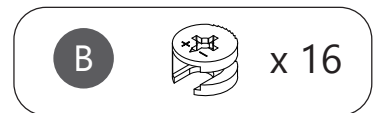
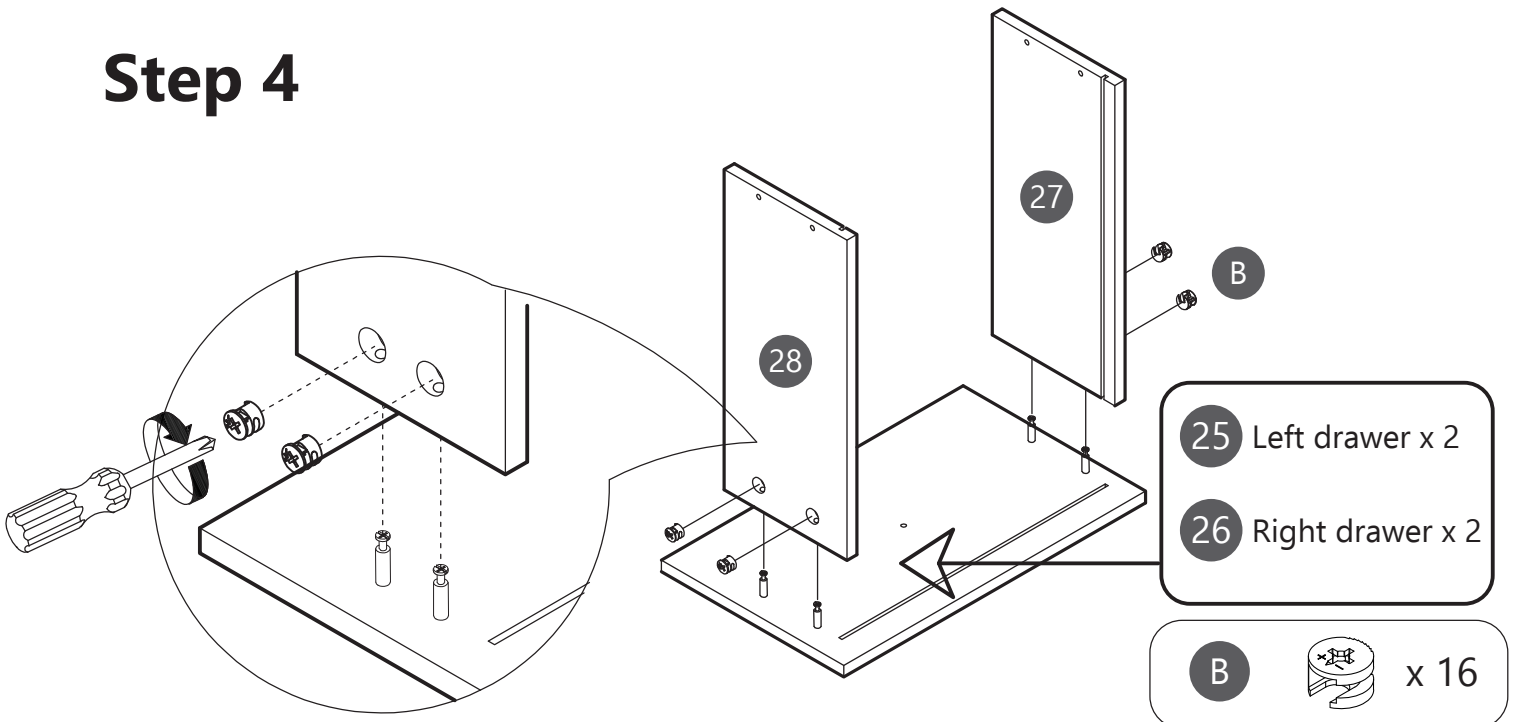
- Attach side board and support planks to drawer front board as below shown
- Locked with B-nut



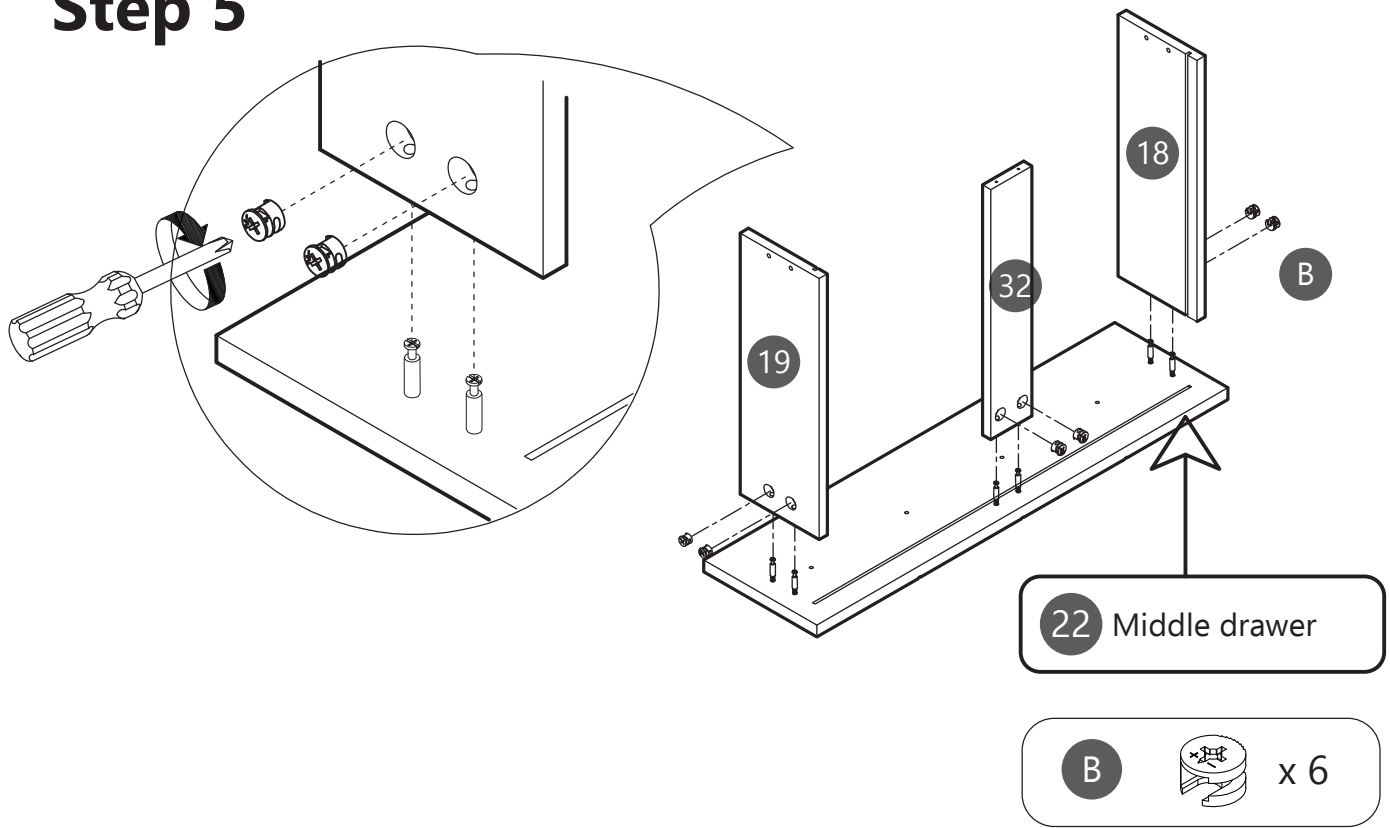
The long groove is used to install the bottom plate, make sure to take note of installing the grooves of these boards on the same side.



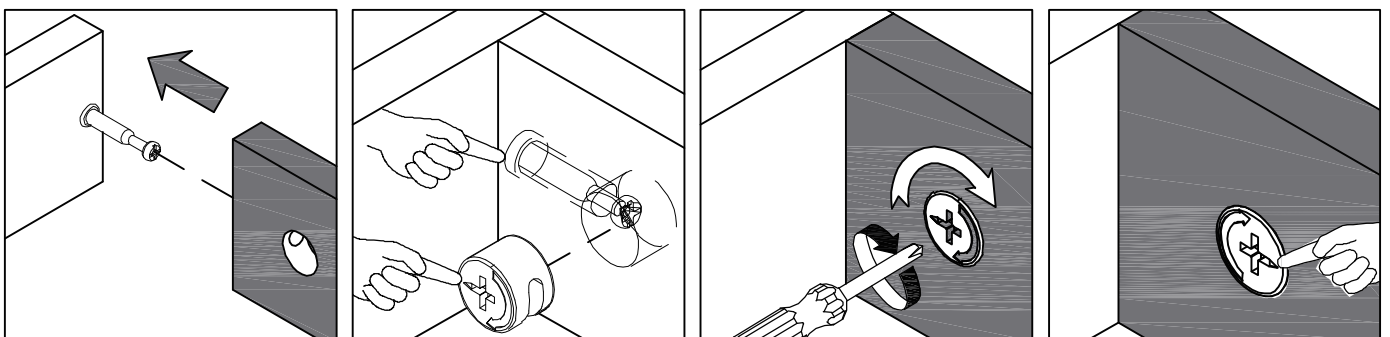
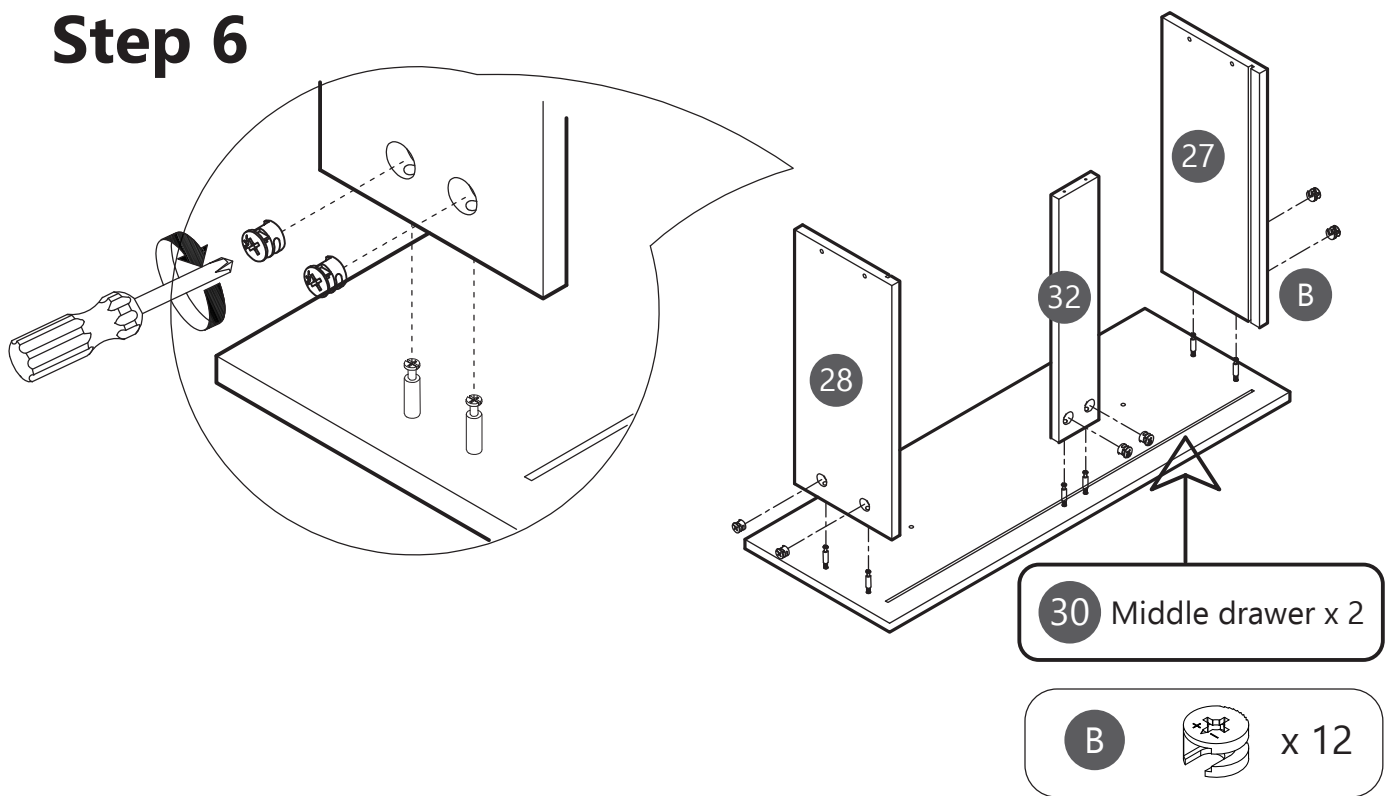
Step 4



Step 5

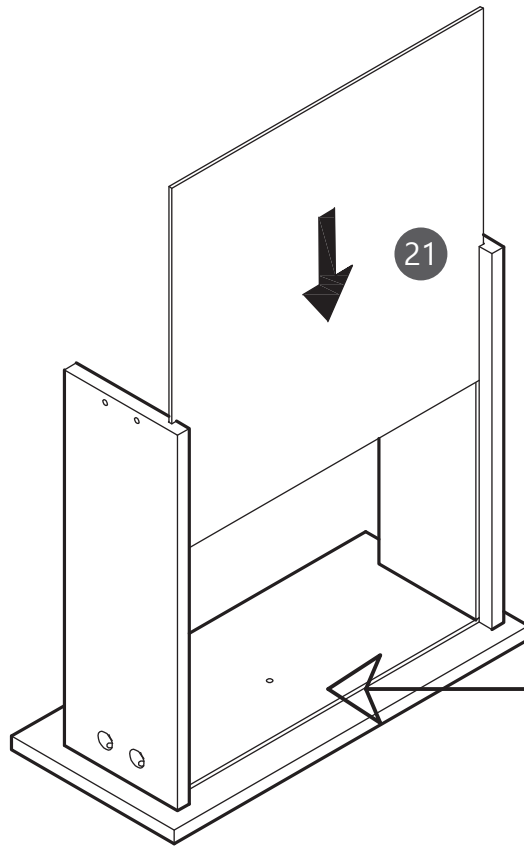


Step 6



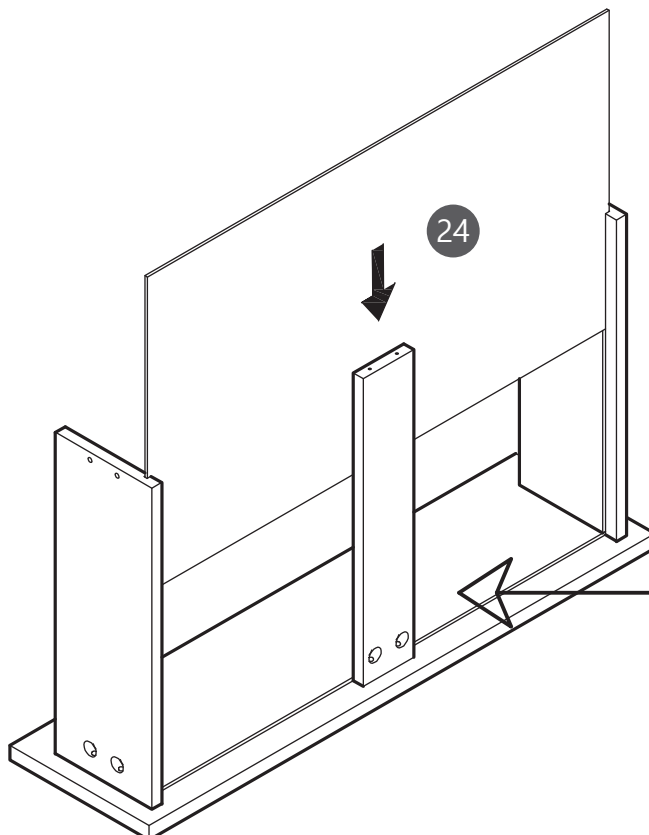
Step 7

Put in the base plate.



- 16 Left drawer
- 17 Right drawer
- 25 Left drawer *2
- 26 Right drawer *2

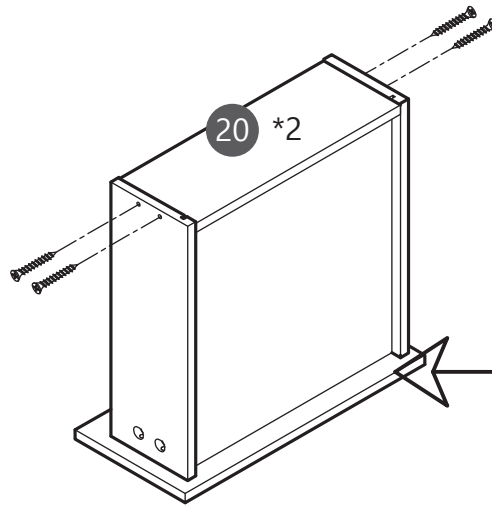
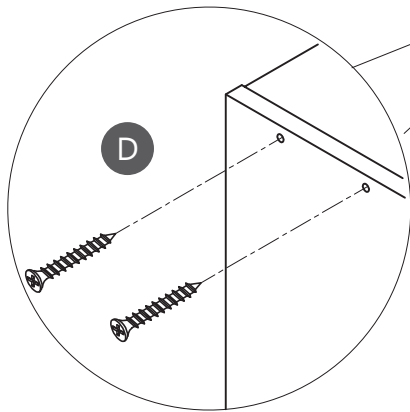
Step 8



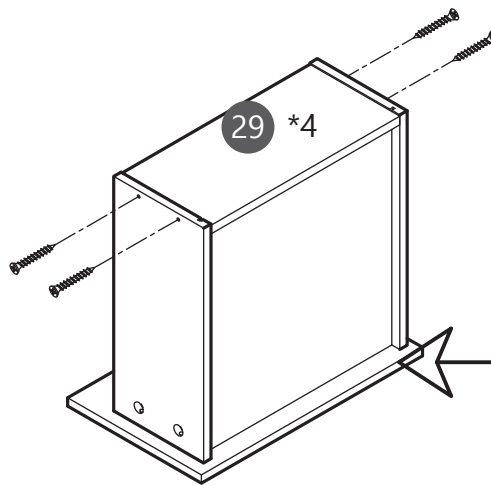
- 22 Middle drawer
- 30 Middle drawer x 2

Step 9

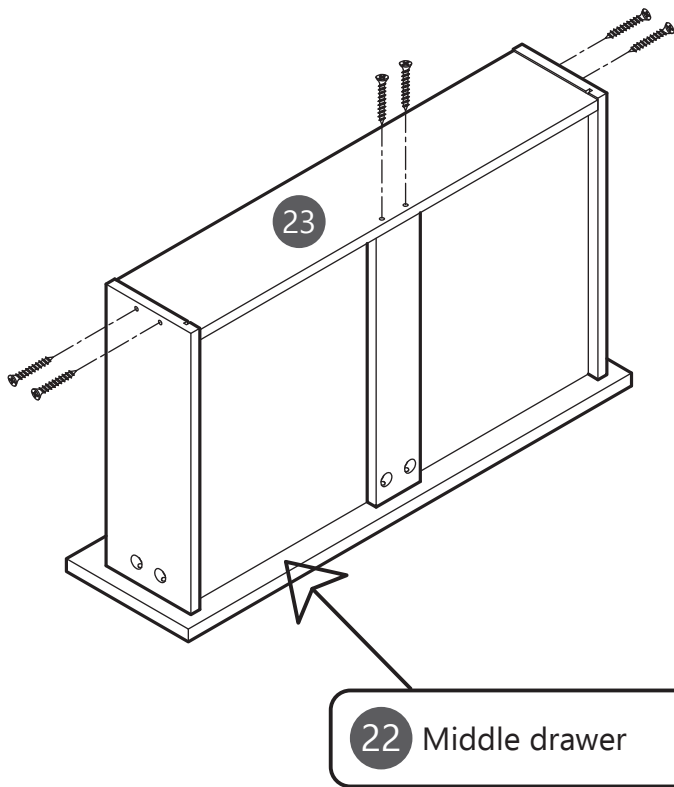
For middle large drawers #22 and #30, screw (D) to (23) & (31) to attach support planks (32) first, then screw (D) to side board.



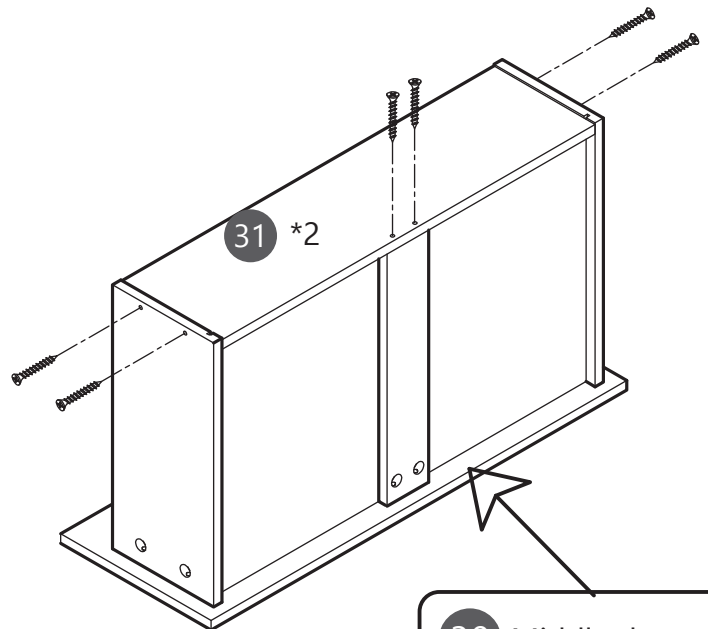
- 16 Left drawer
- 17 Right drawer



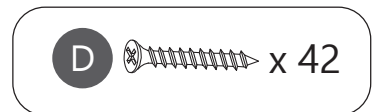
- 25 Left drawer *2
- 26 Right drawer *2



- 22 Middle drawer

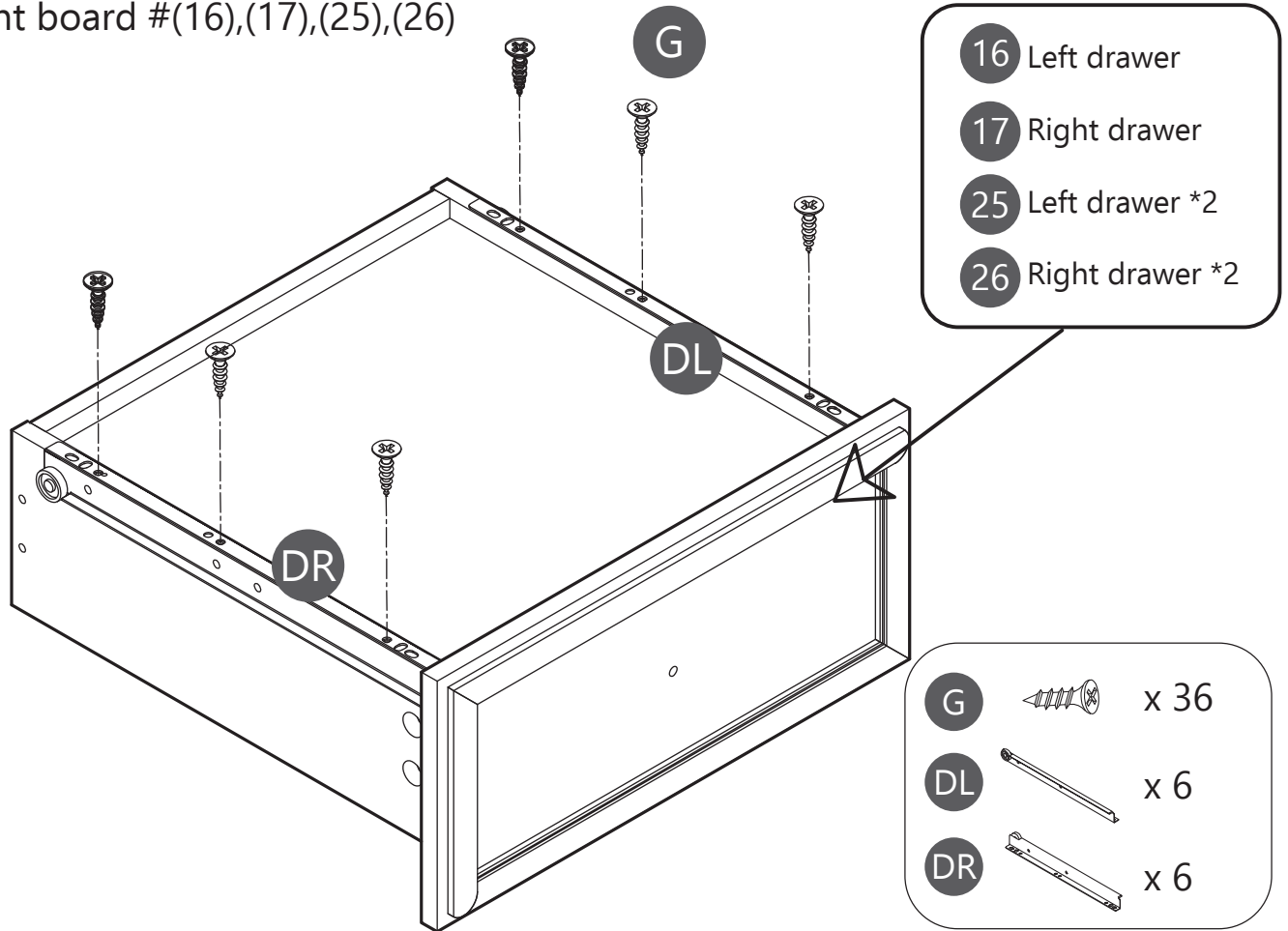


- 30 Middle drawer *2



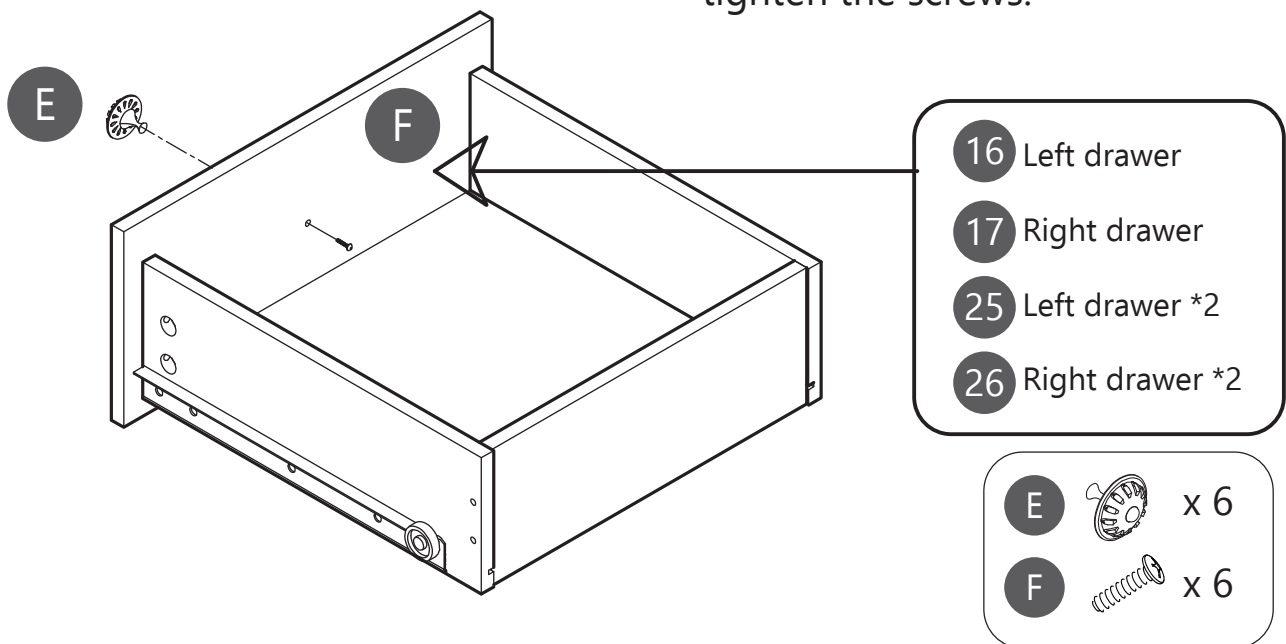
Step 10

Note that the slides are close to the drawer front board # (16),(17),(25),(26)

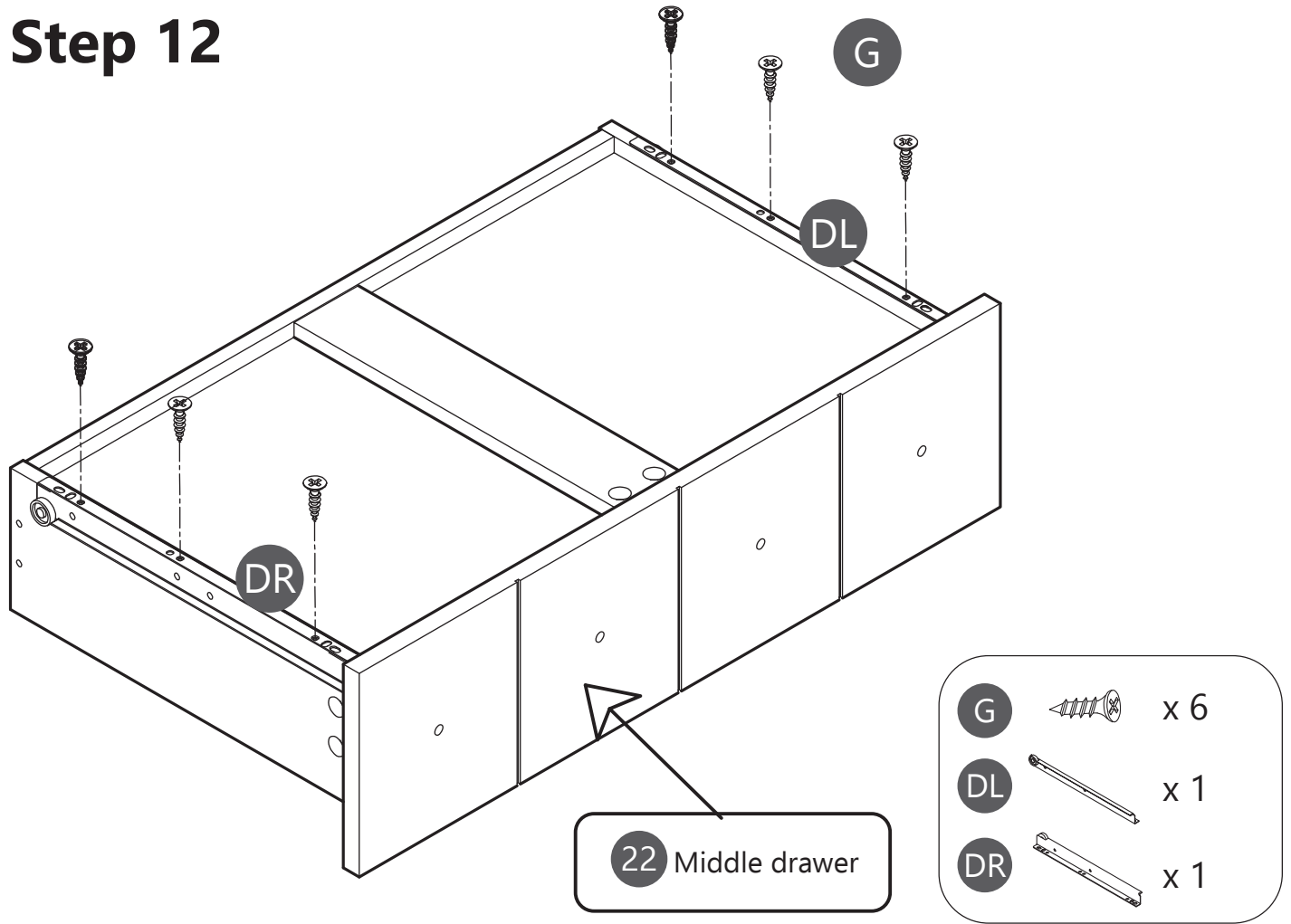


Step 11

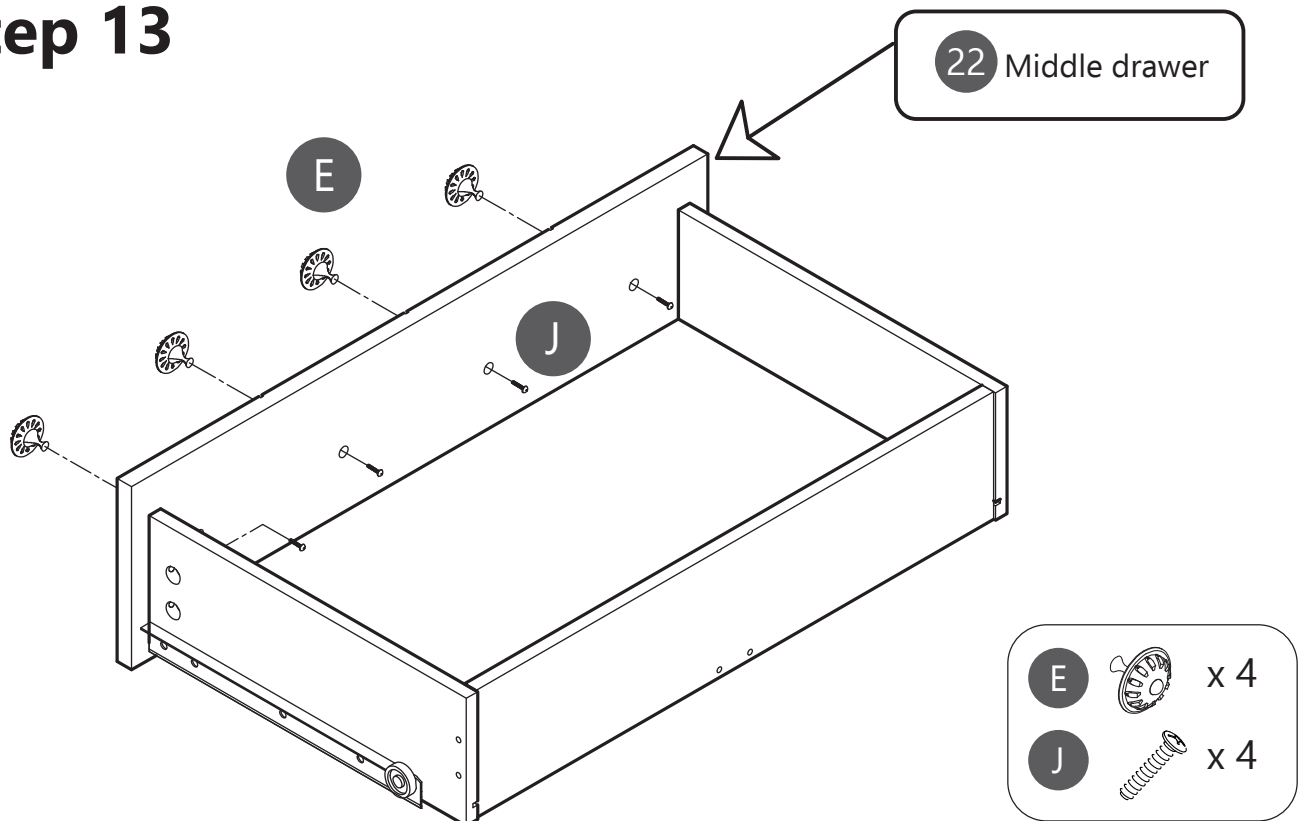
Insert screw # F first, then align the pre-drilled holes of the handles, and tighten the screws.




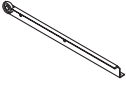
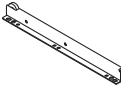
Step 12

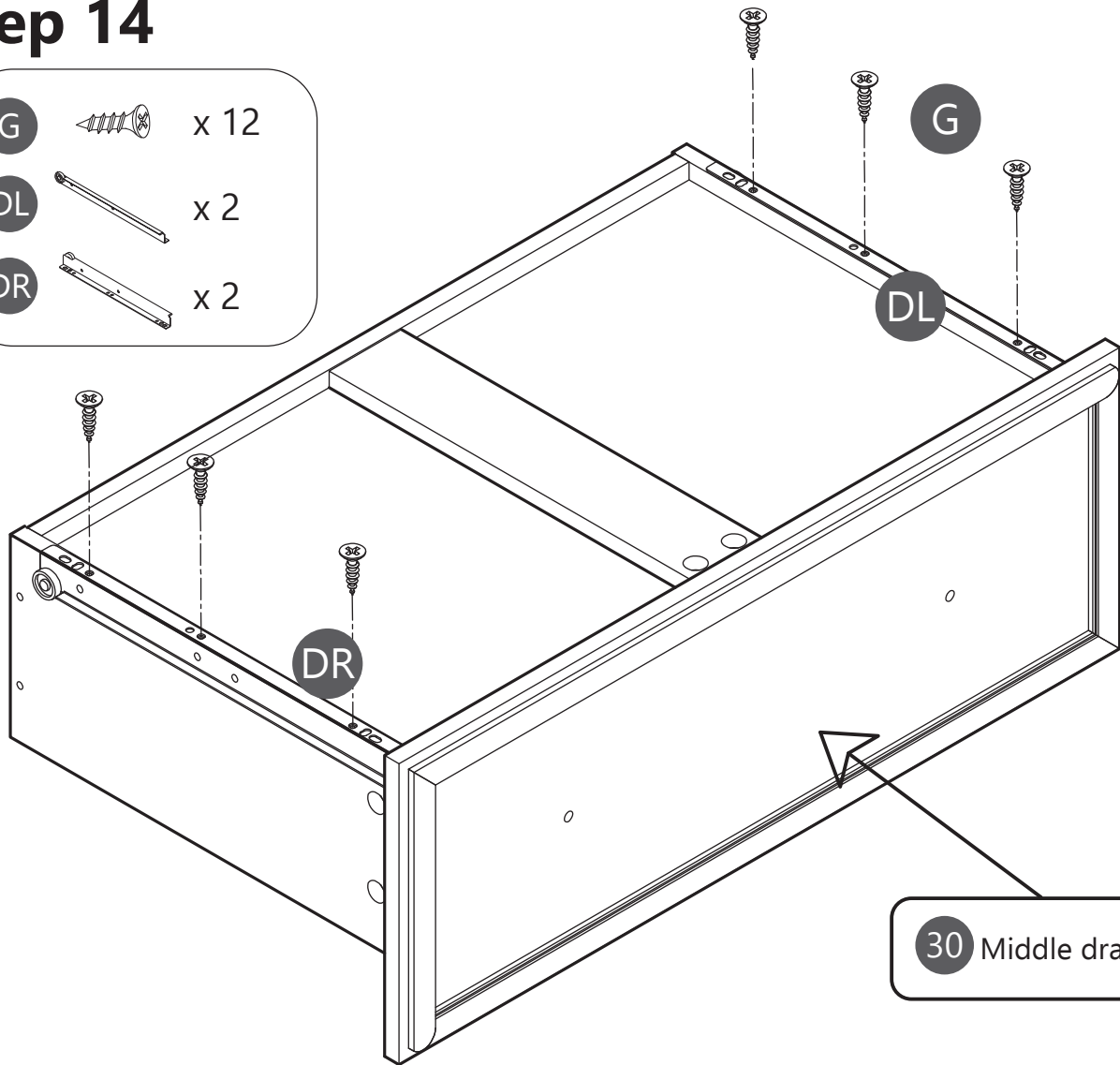


Step 13

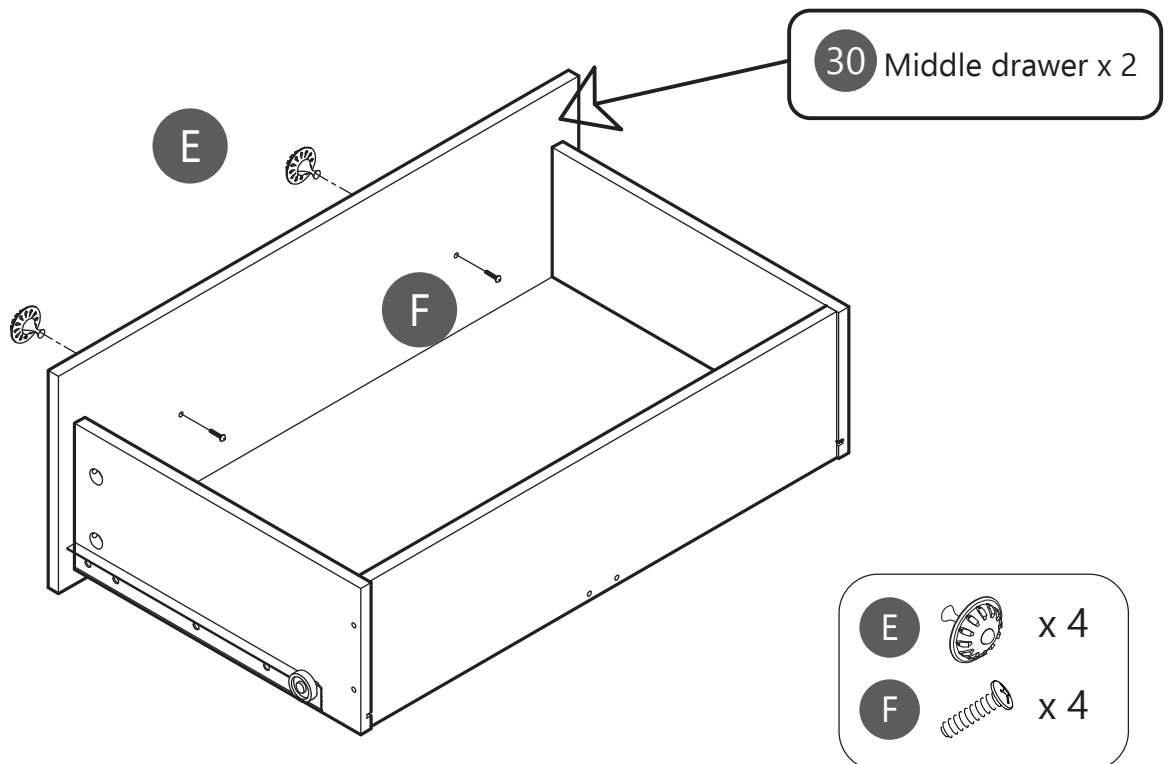




Step 14

- G  x 12
- DL  x 2
- DR  x 2



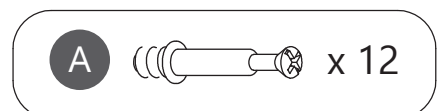
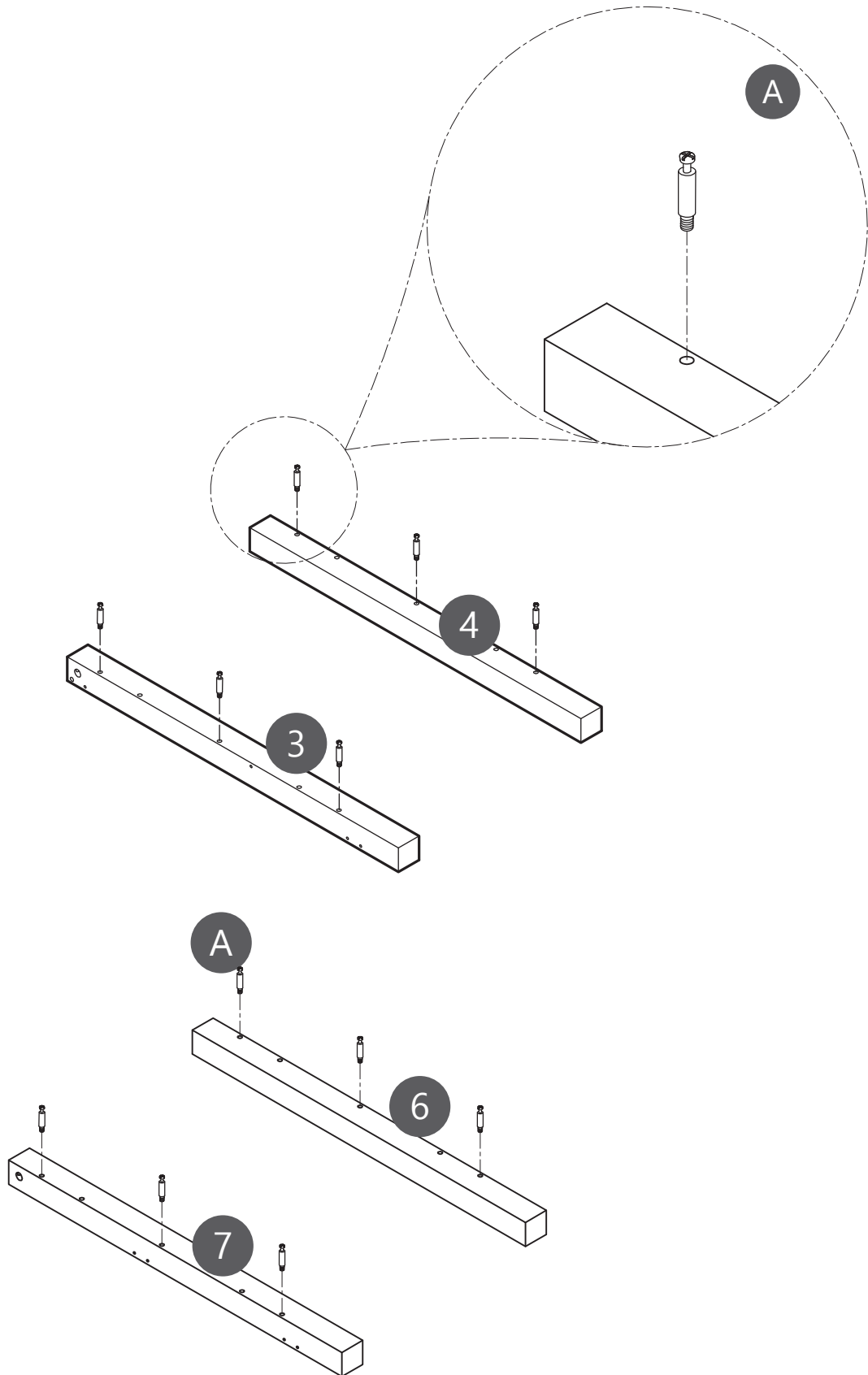
Step 15



- E  x 4
- F  x 4

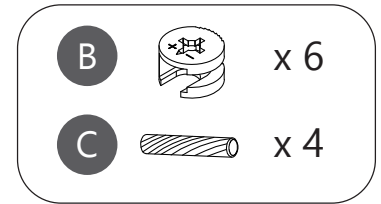
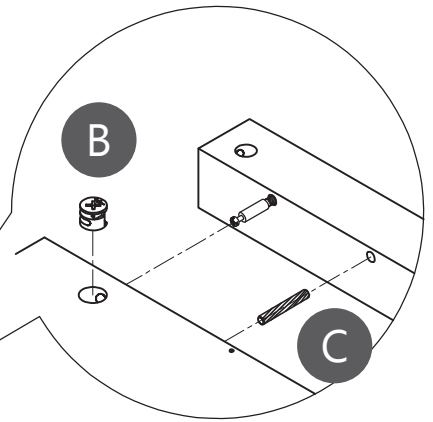
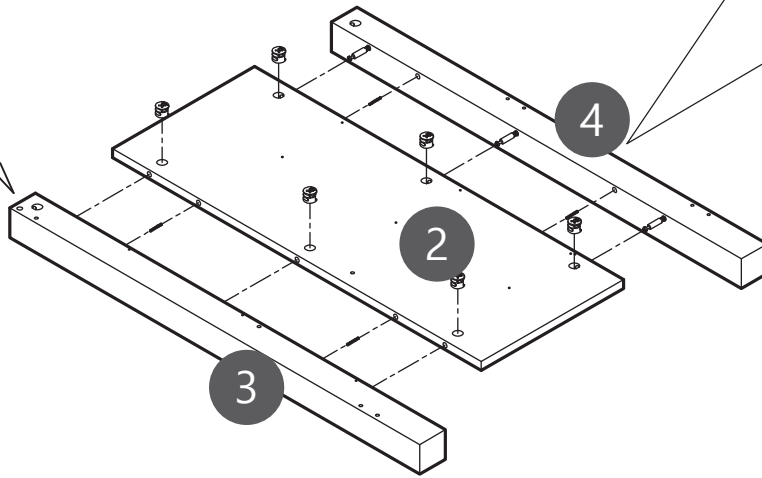
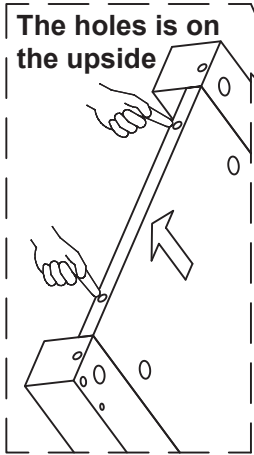
Step 16

-Screw (A) to (3) (4) (6) (7) as below shown



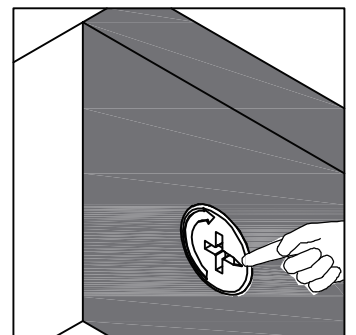
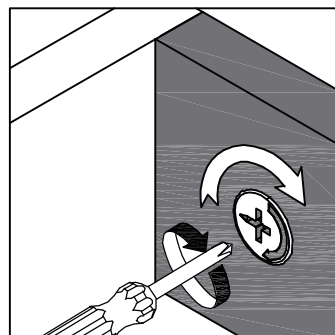
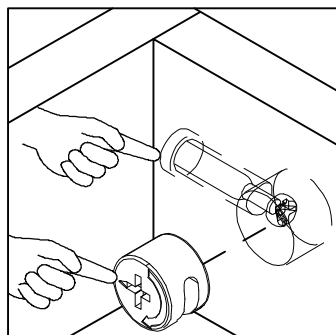
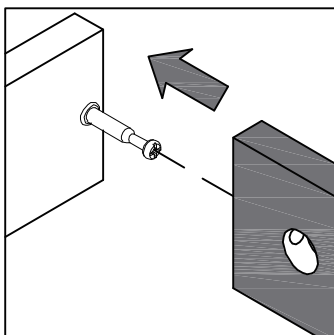
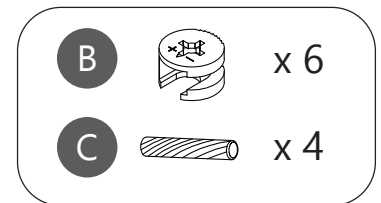
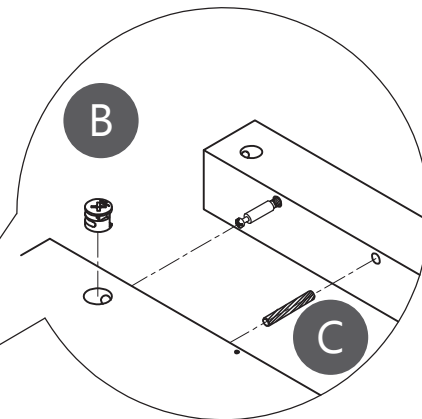
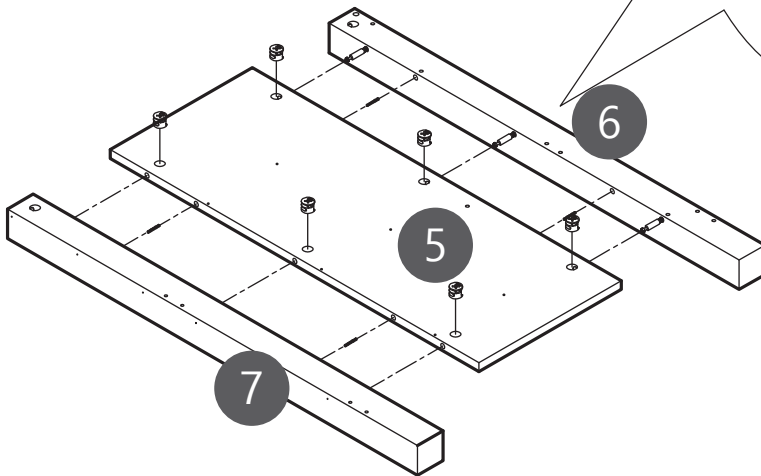
Step 18

- Screw (C) to (2) as below shown
- Attach (3)(4)to (2)as below shown
- Locked with B-nut



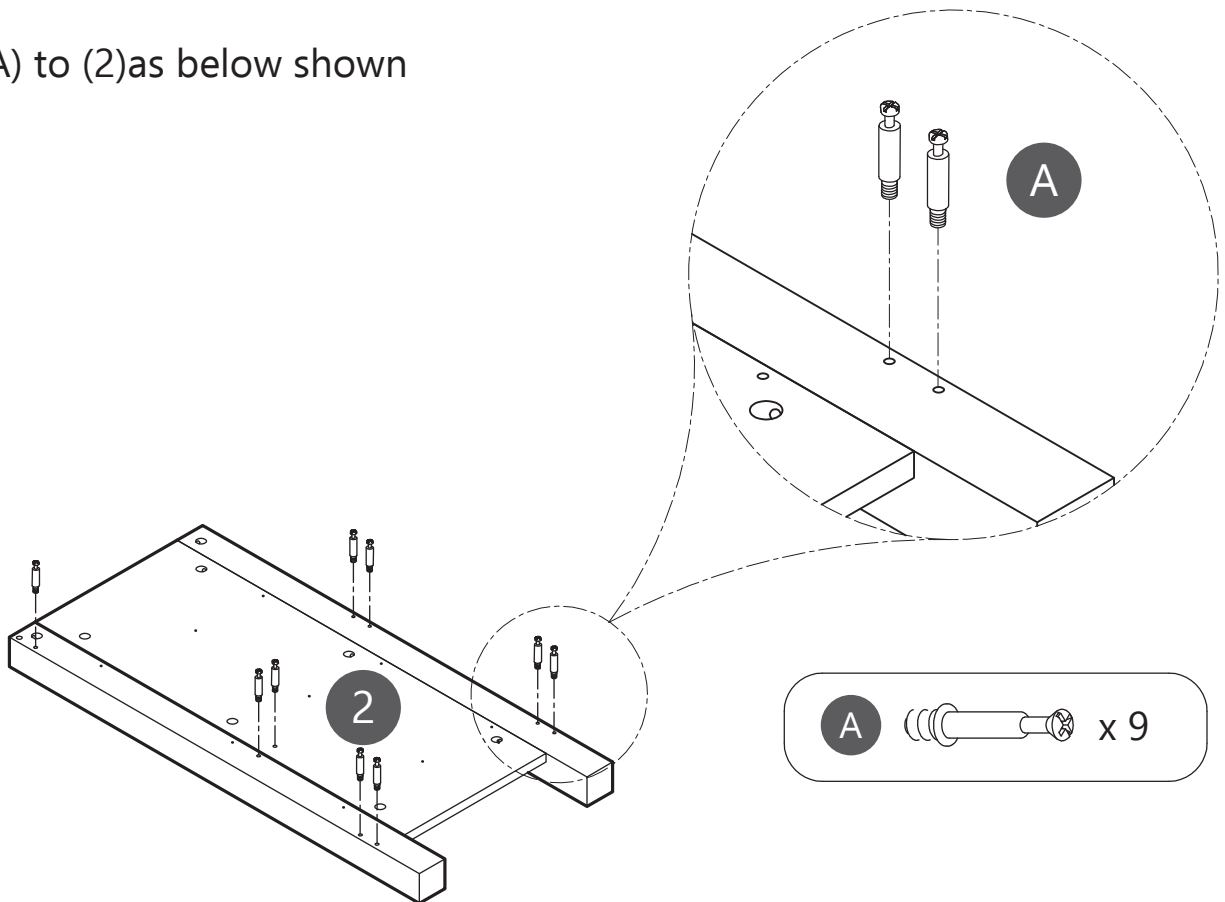
Step 19

- Screw (C) to (5) as below shown
- Attach (6)(7)to (5)as below shown
- Locked with B-nut



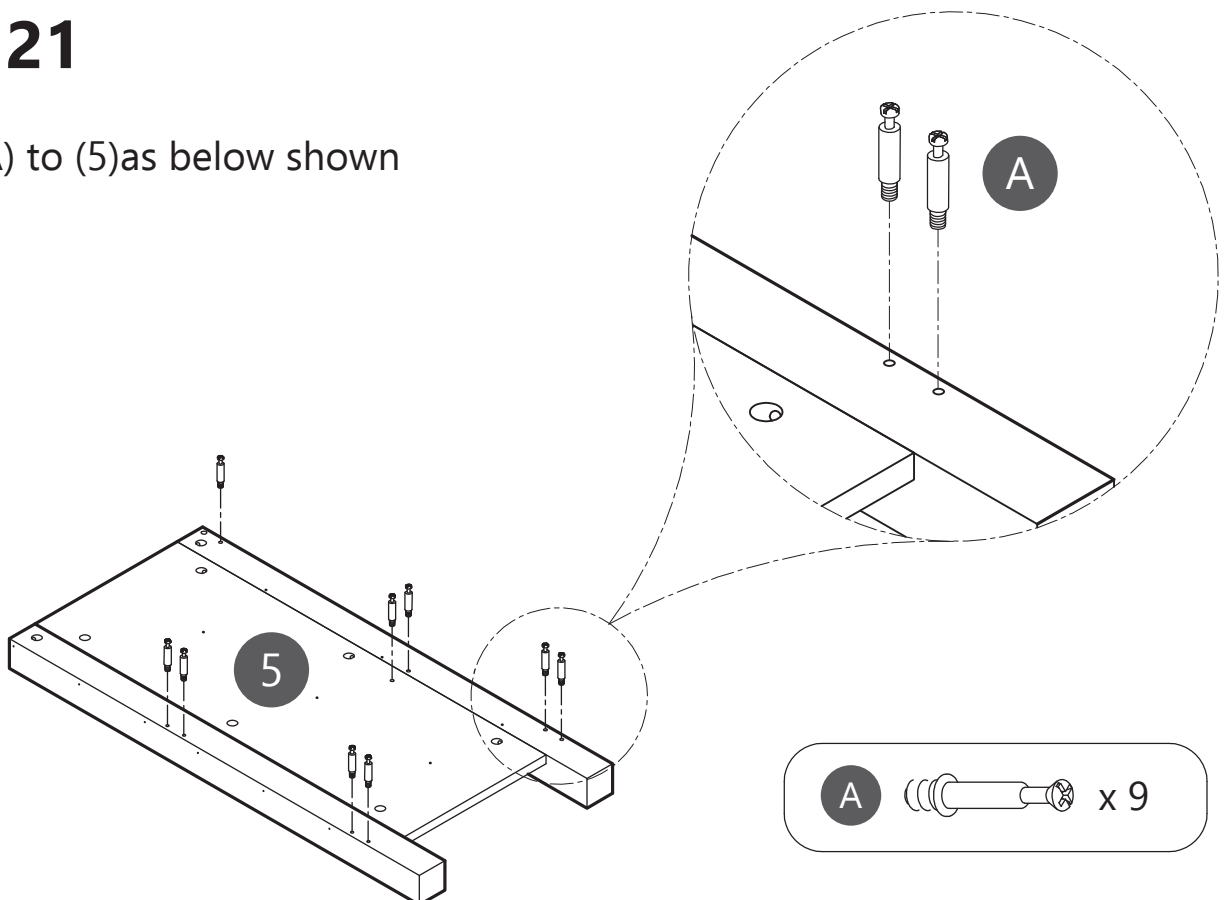
Step 20

-Screw (A) to (2) as below shown



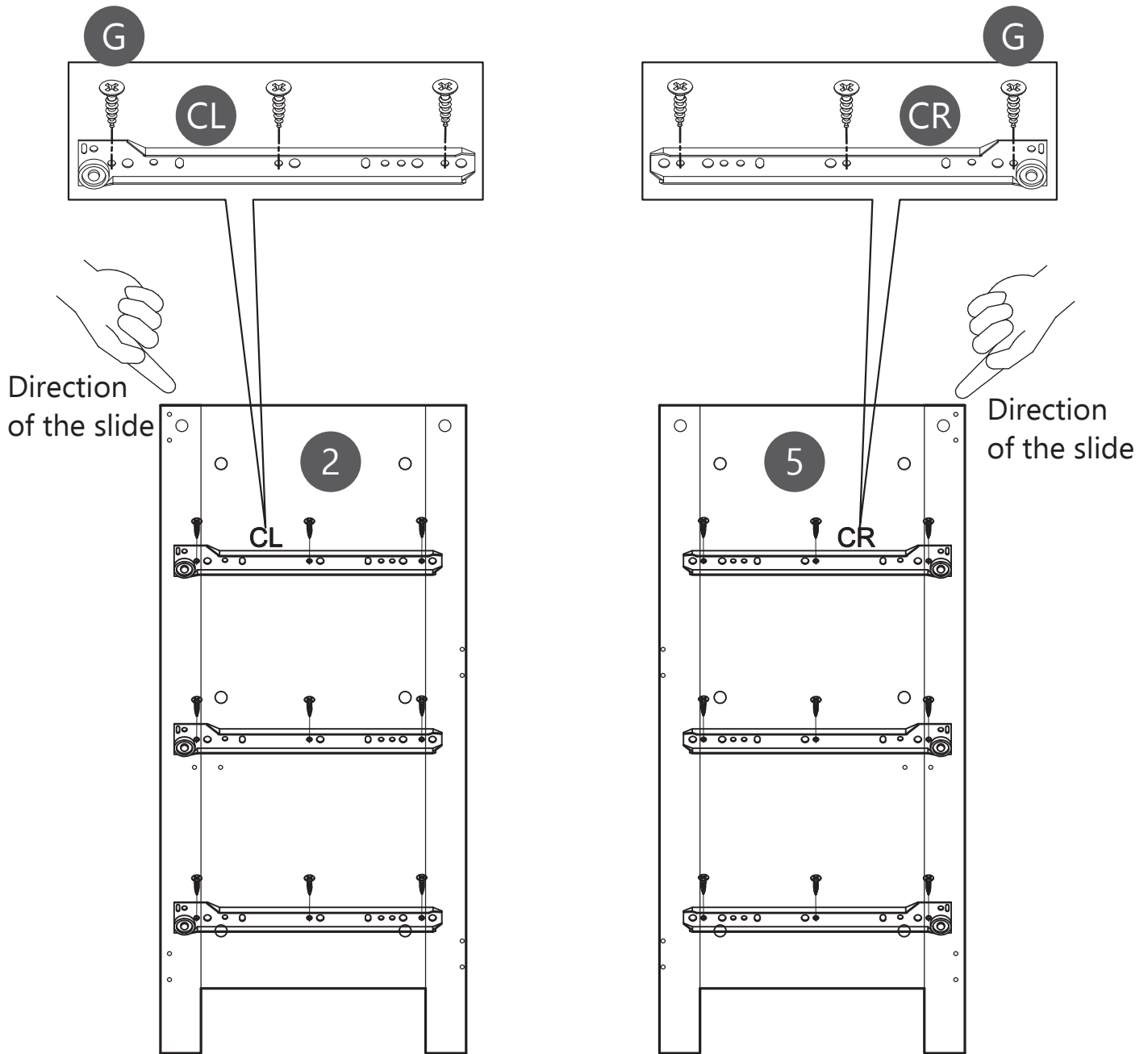
Step 21

-Screw (A) to (5) as below shown


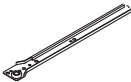
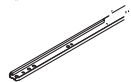


Step 22

The screws for the slide must be tightened very tightly, and don't tilt the screws, otherwise the drawers will get stuck and won't fit in.

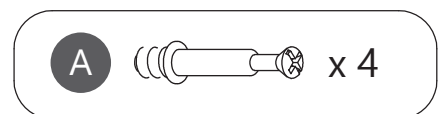
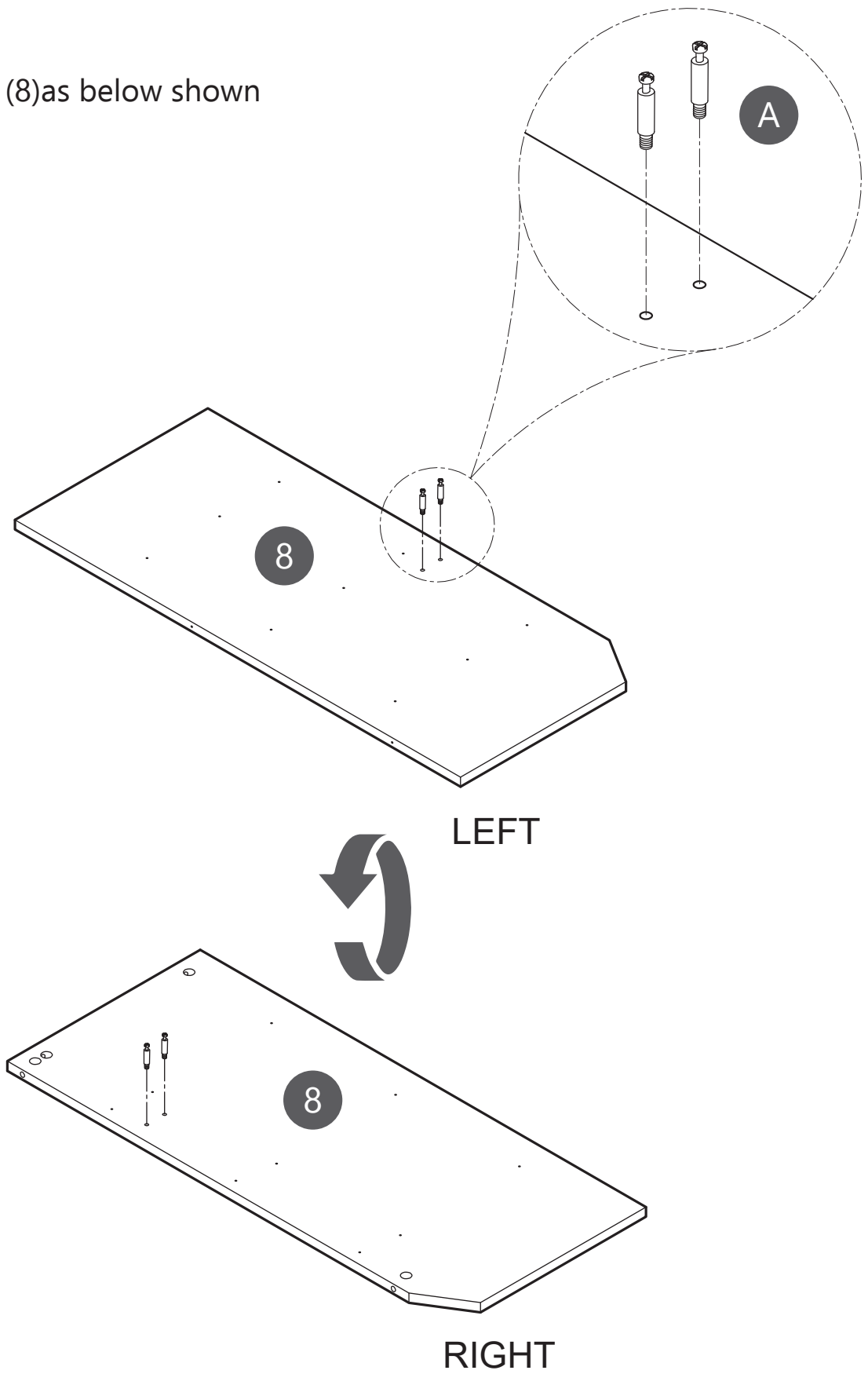


Reference to the completion of the installation:
checking the position of the slides and screws in
the planks.

- G  x 18
- CL  x 3
- CR  x 3

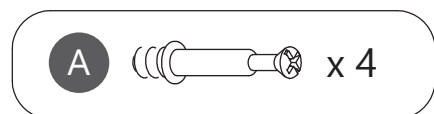
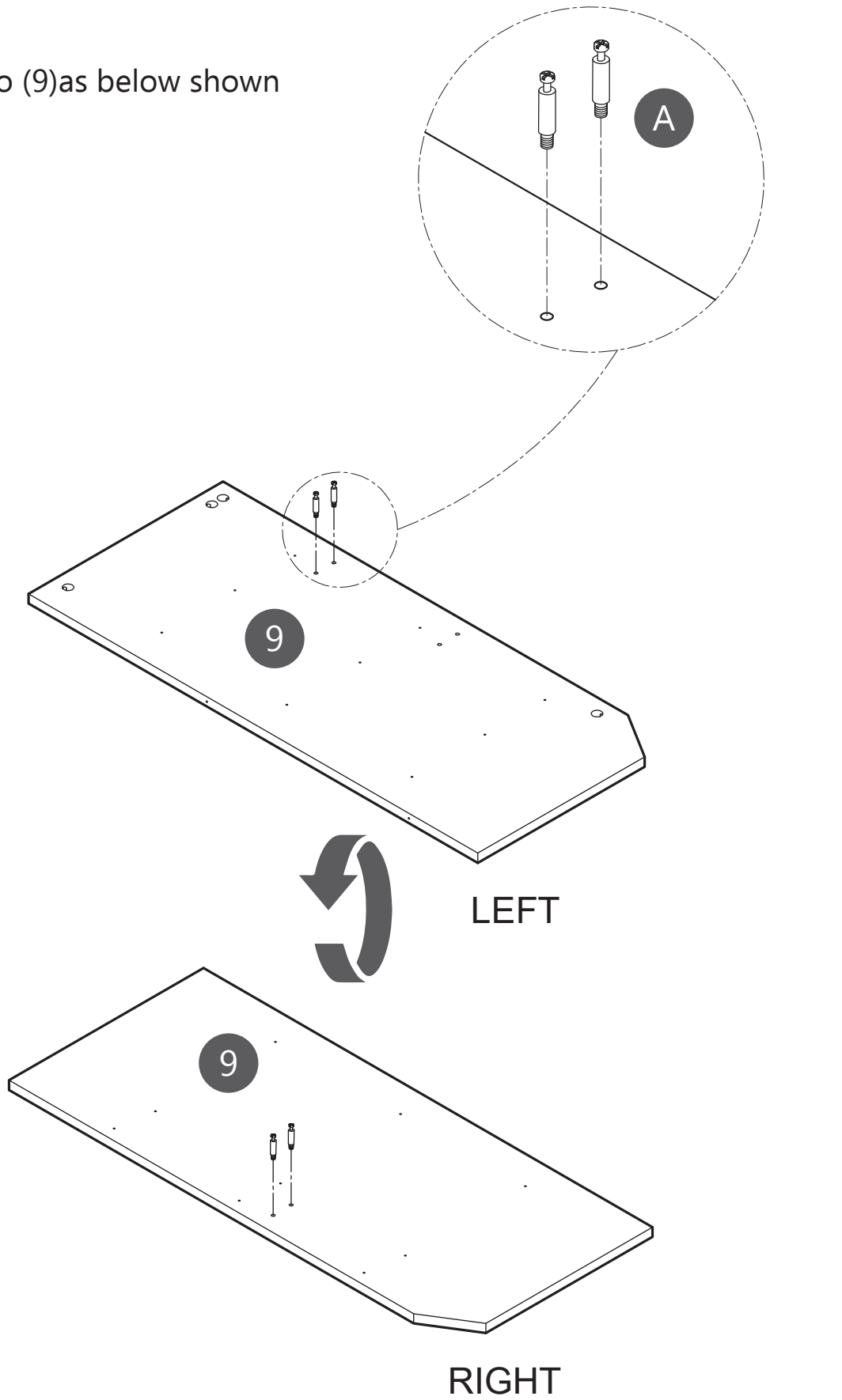
Step 23

-Screw (A) to (8) as below shown



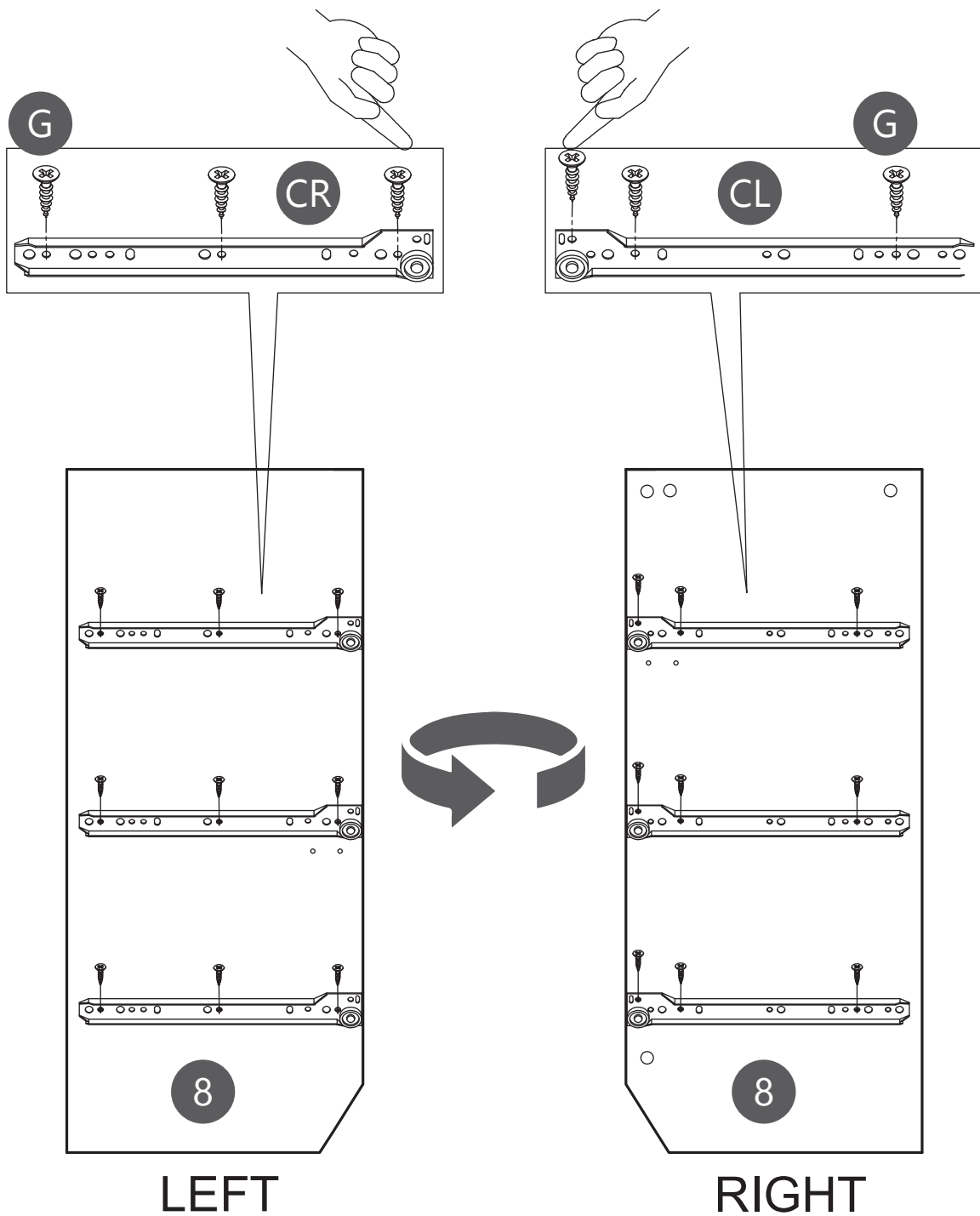
Step 24

-Screw (A) to (9) as below shown


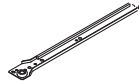
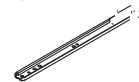


Step 25

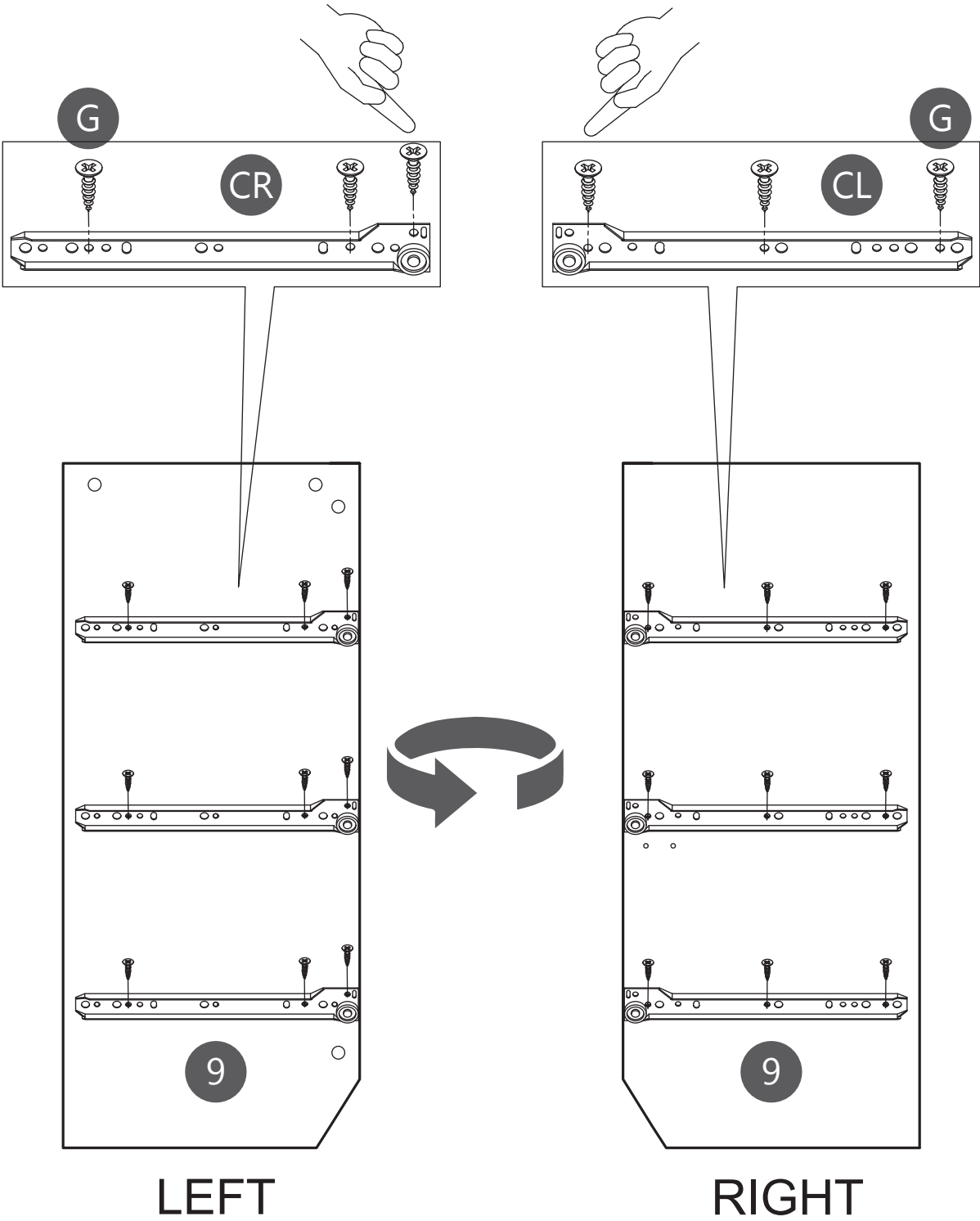
The screws for the slide must be tightened very tightly, and don't tilt the screws, otherwise the drawers will get stuck and won't fit in.


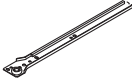
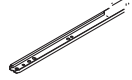


Reference to the completion of the installation: checking the position of the slides and screws in the planks.

- G**  x 18
- CL**  x 3
- CR**  x 3

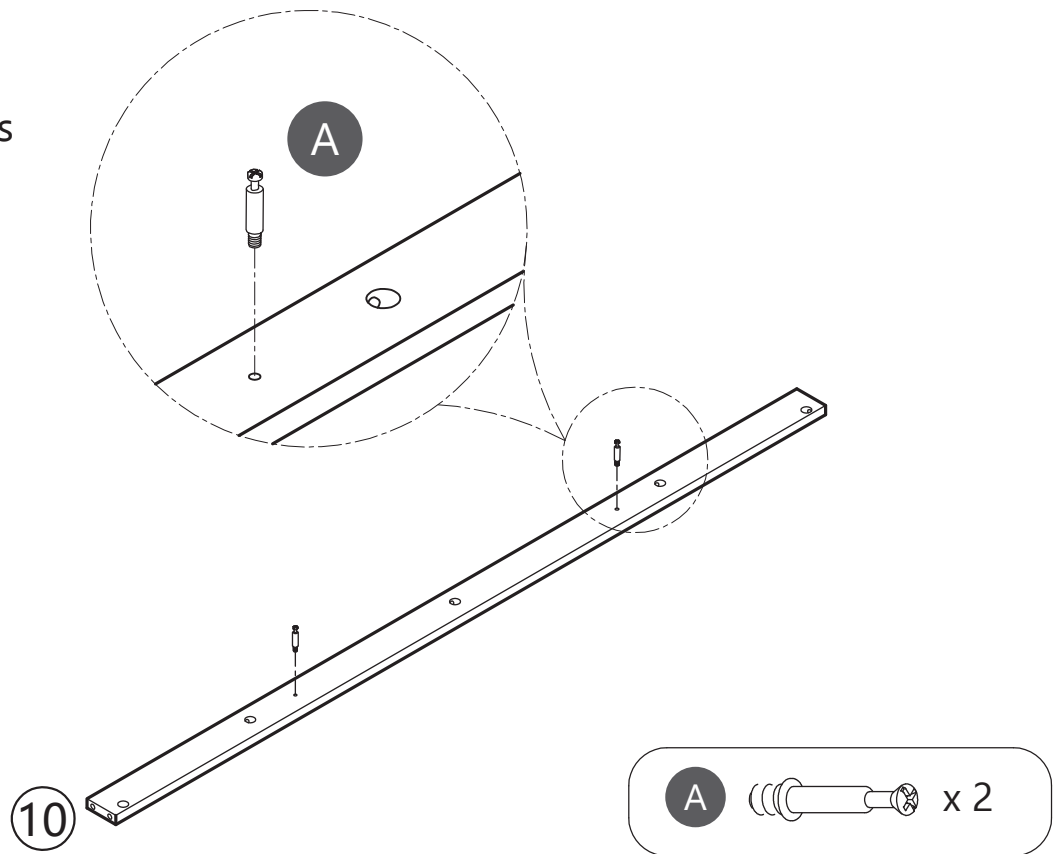
Step 26



- G  x 18
- CL  x 3
- CR  x 3

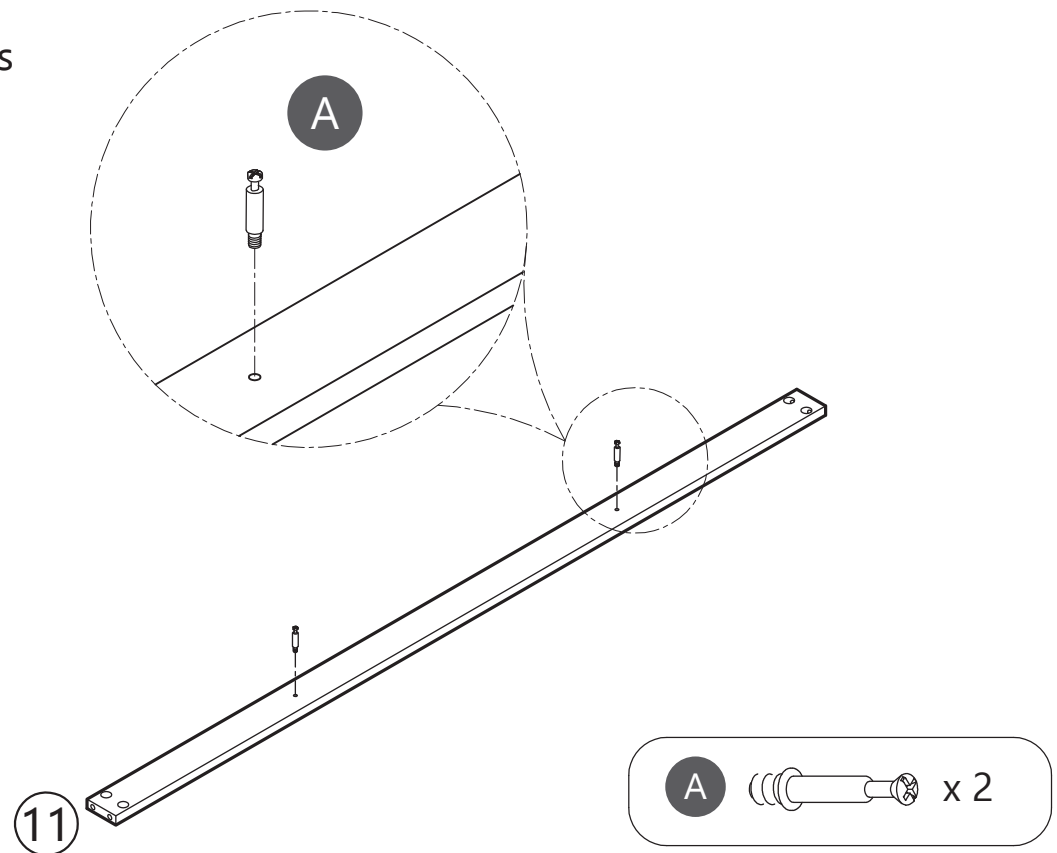
Step 27

-Screw (A) to (10) as below shown



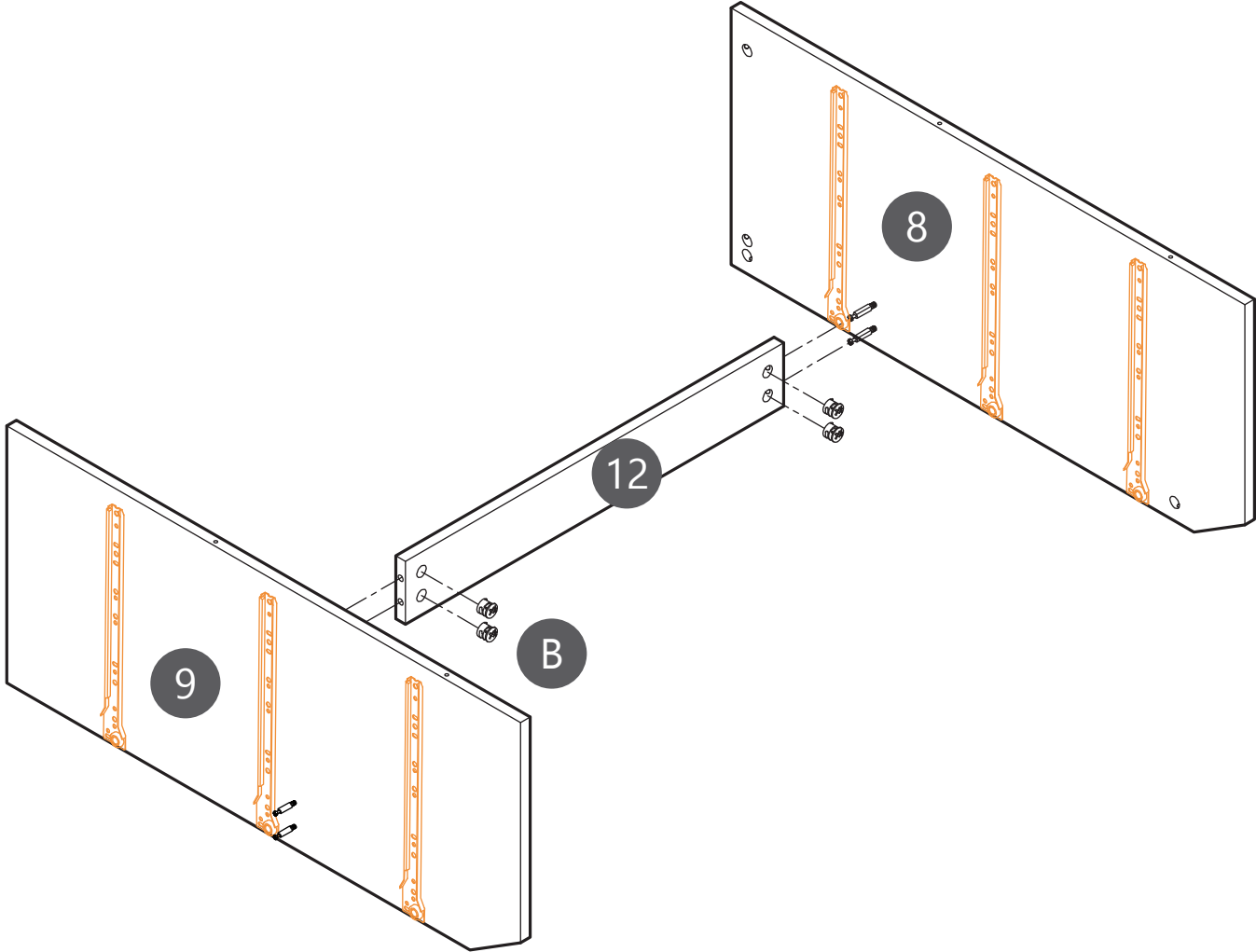
Step 28


-Screw (A) to (11) as below shown

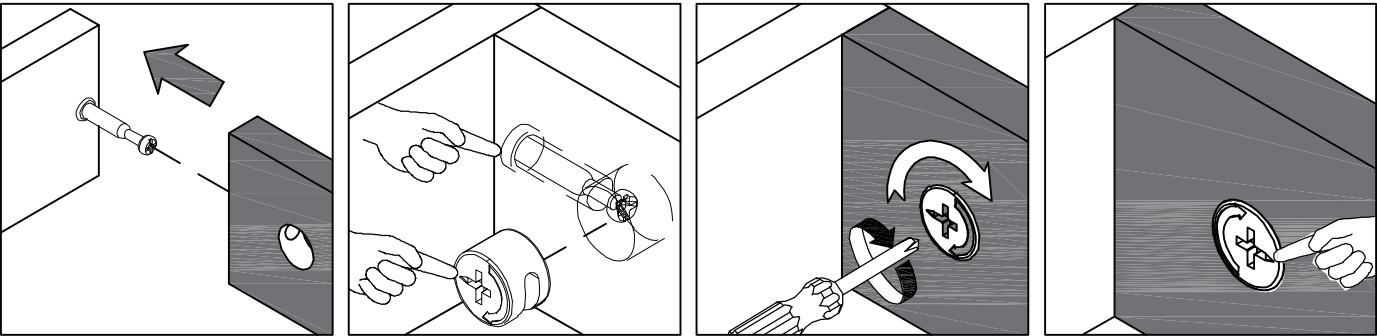


Step 29

- Attach (12)to (8) & (9)as below shown
- Locked with B-nut

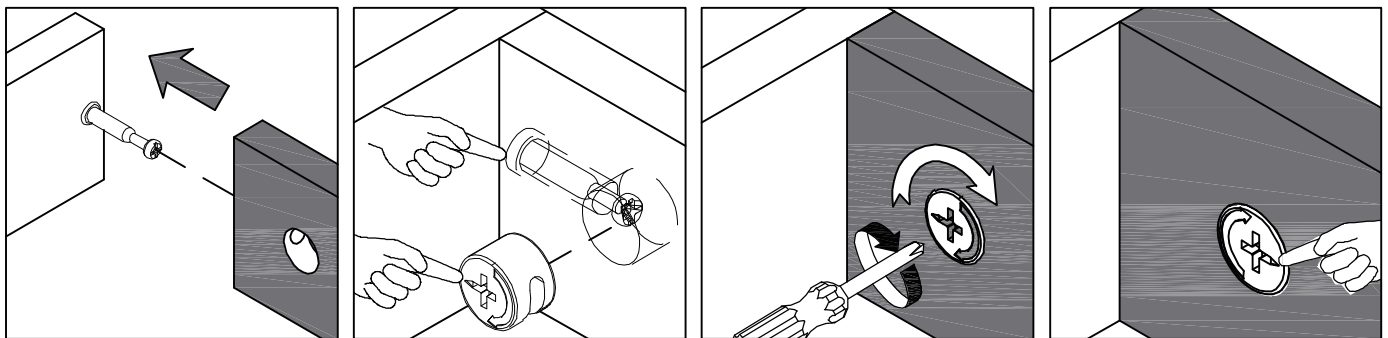
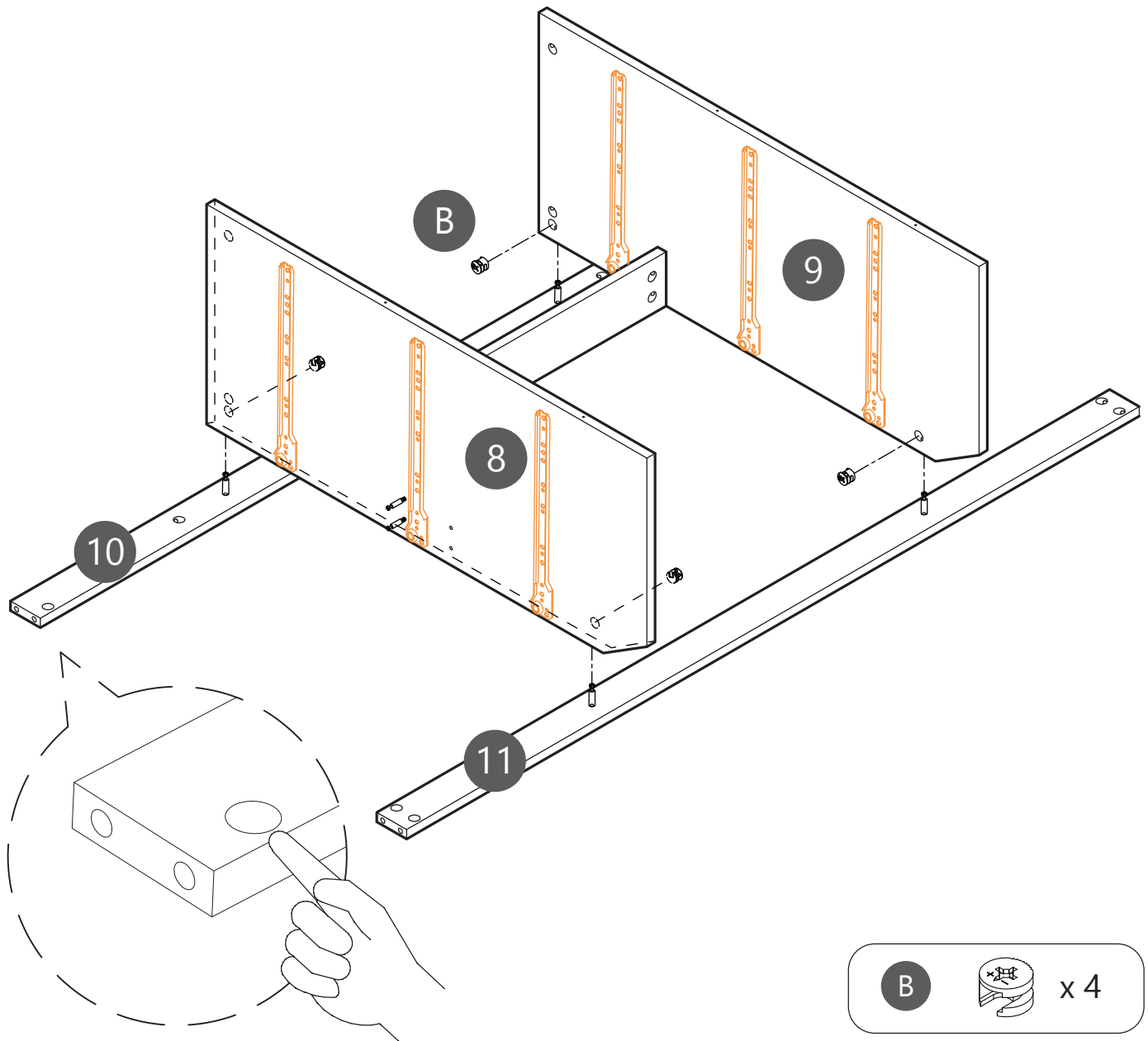


B  x 4



Step 30

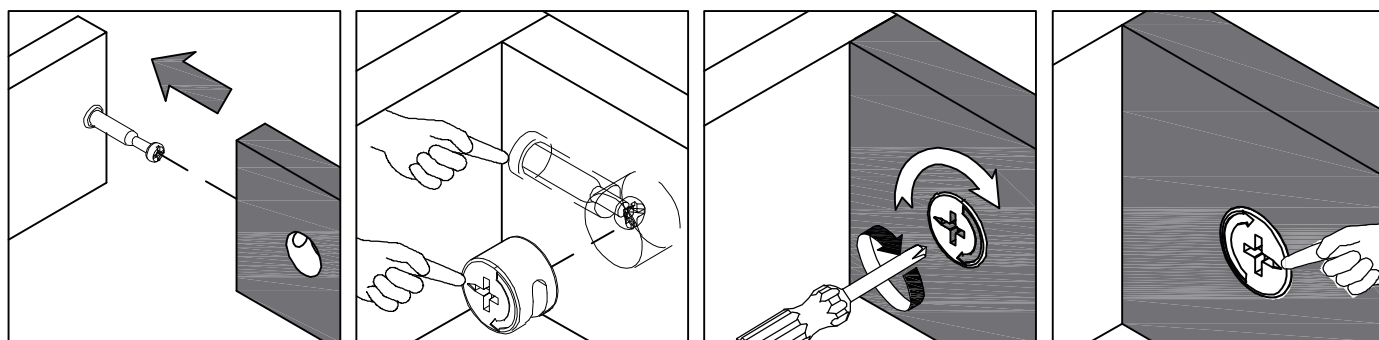
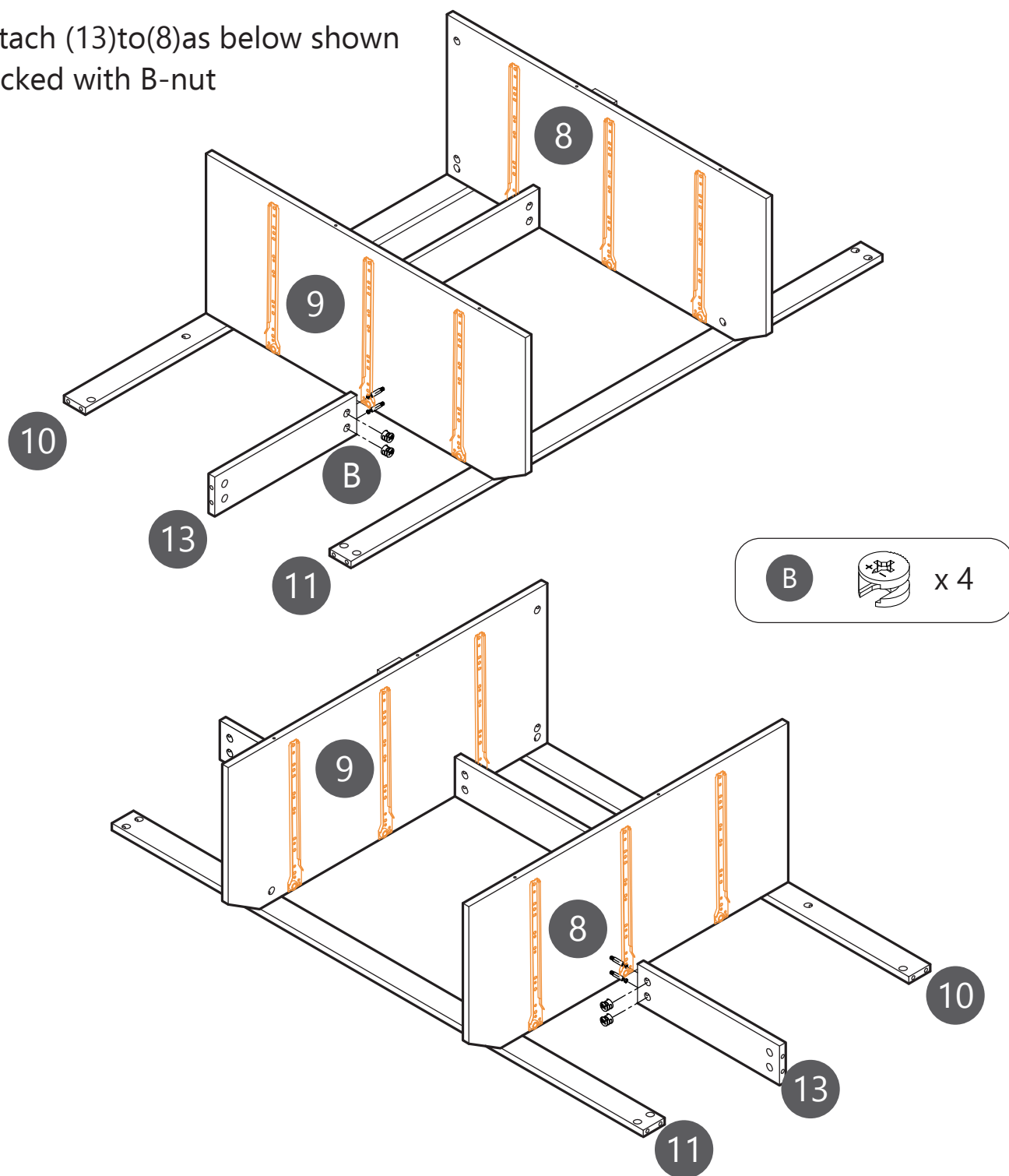
- Attach (10)(11)to (8) & (9)as below shown
- Locked with B-nut



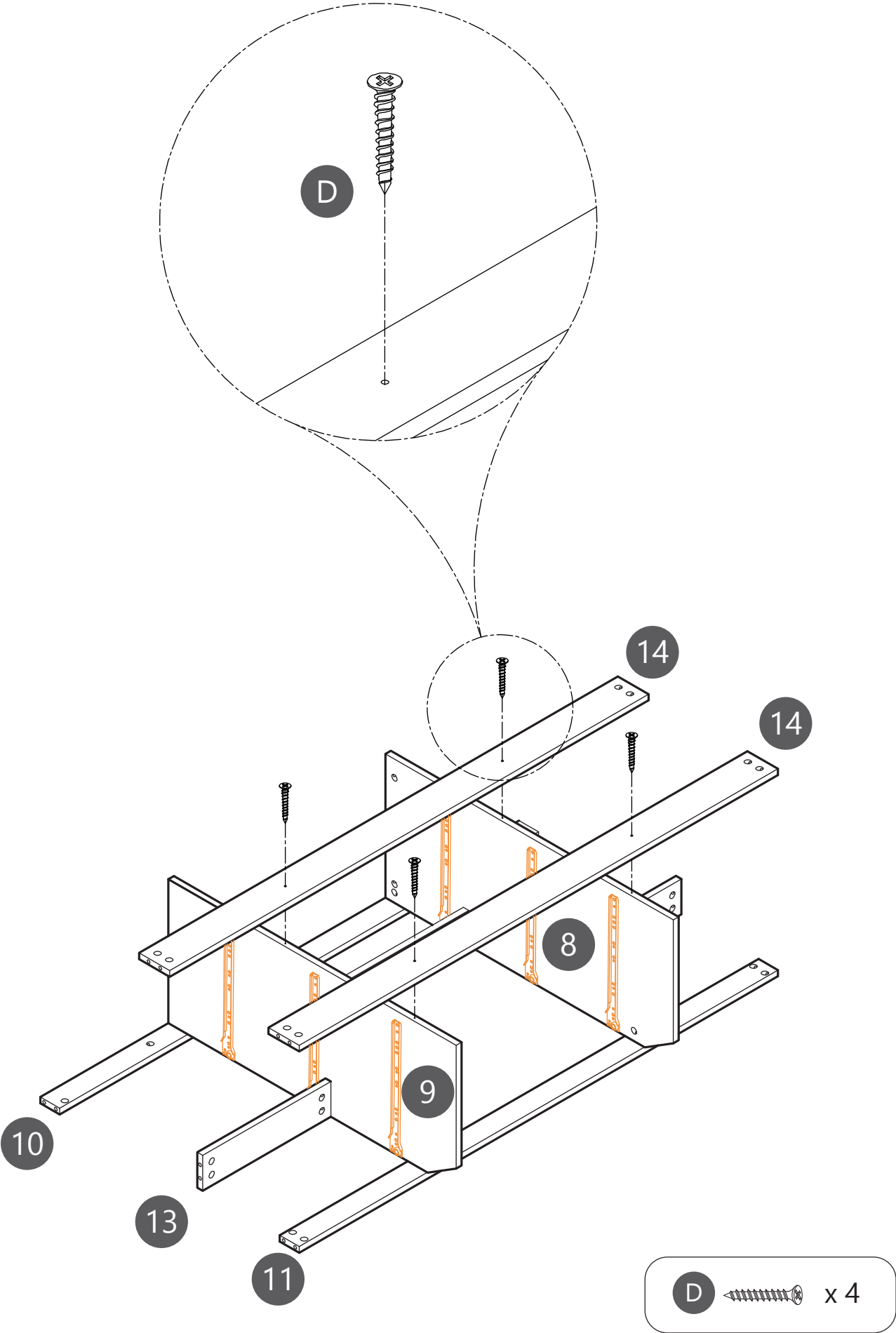
Step 31

- Attach (13)to(9)as below shown
- Locked with B-nut

- Attach (13)to(8)as below shown
- Locked with B-nut

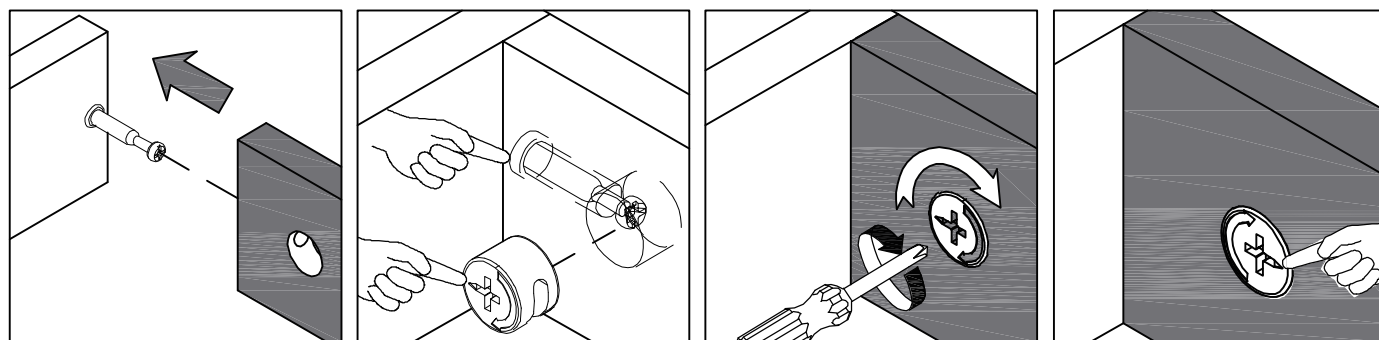
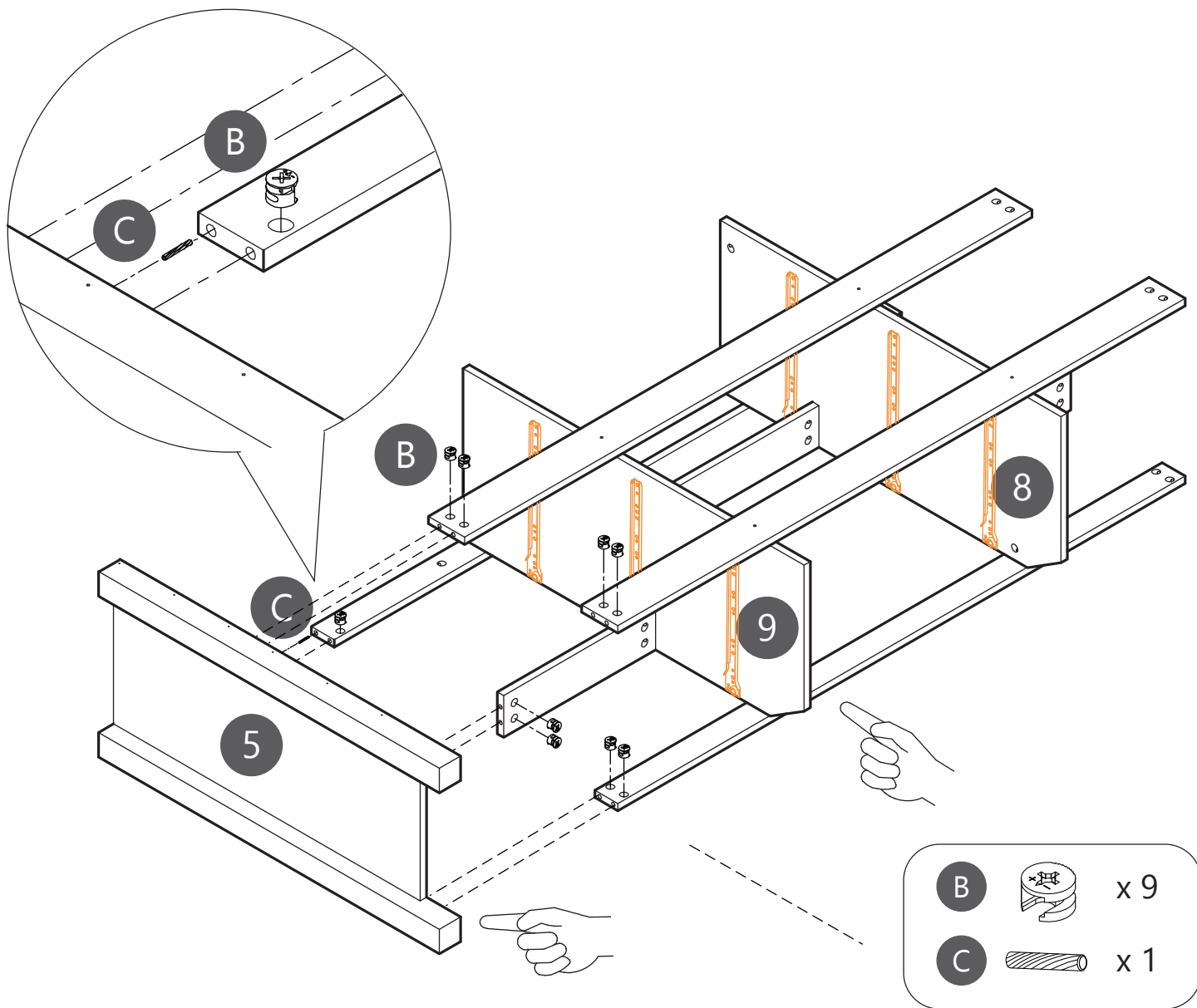


Step 32



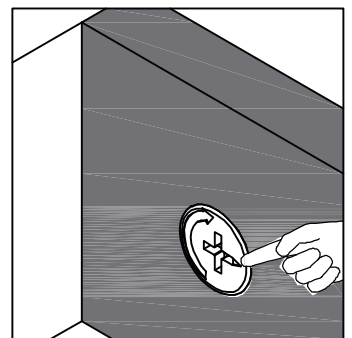
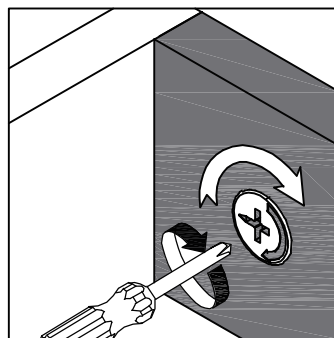
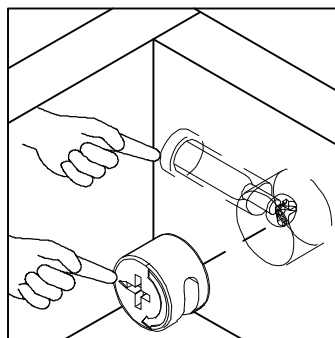
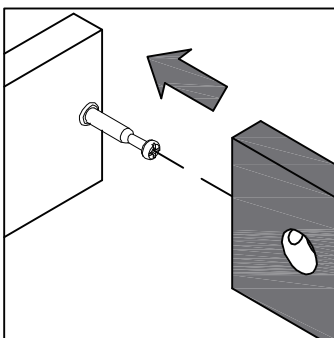
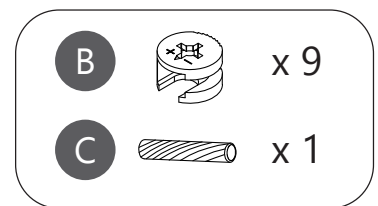
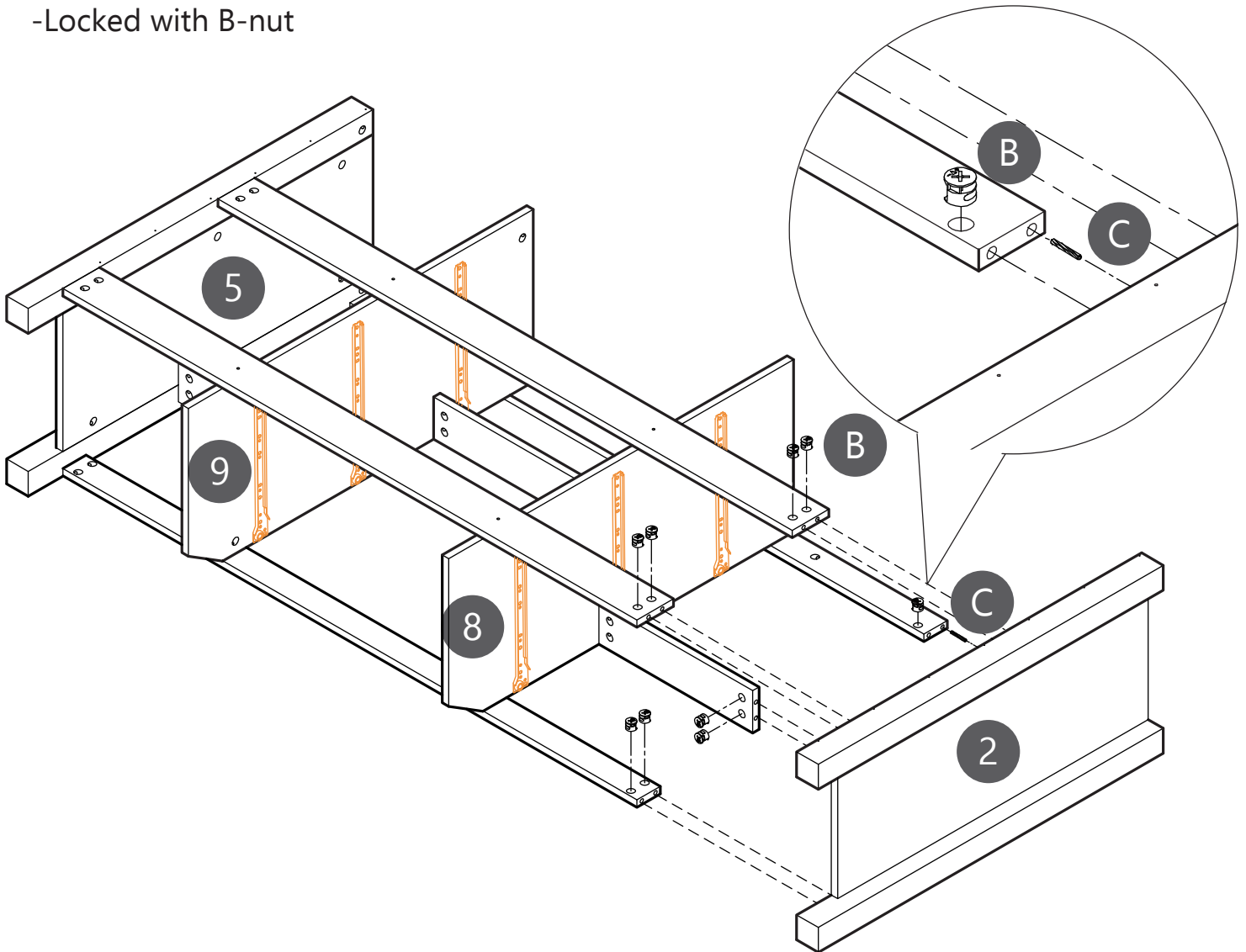
Step 33

- Screw (C) to (10)as below shown
- Attach (5)to(10)(11)(13)(14)as below shown
- Locked with B-nut



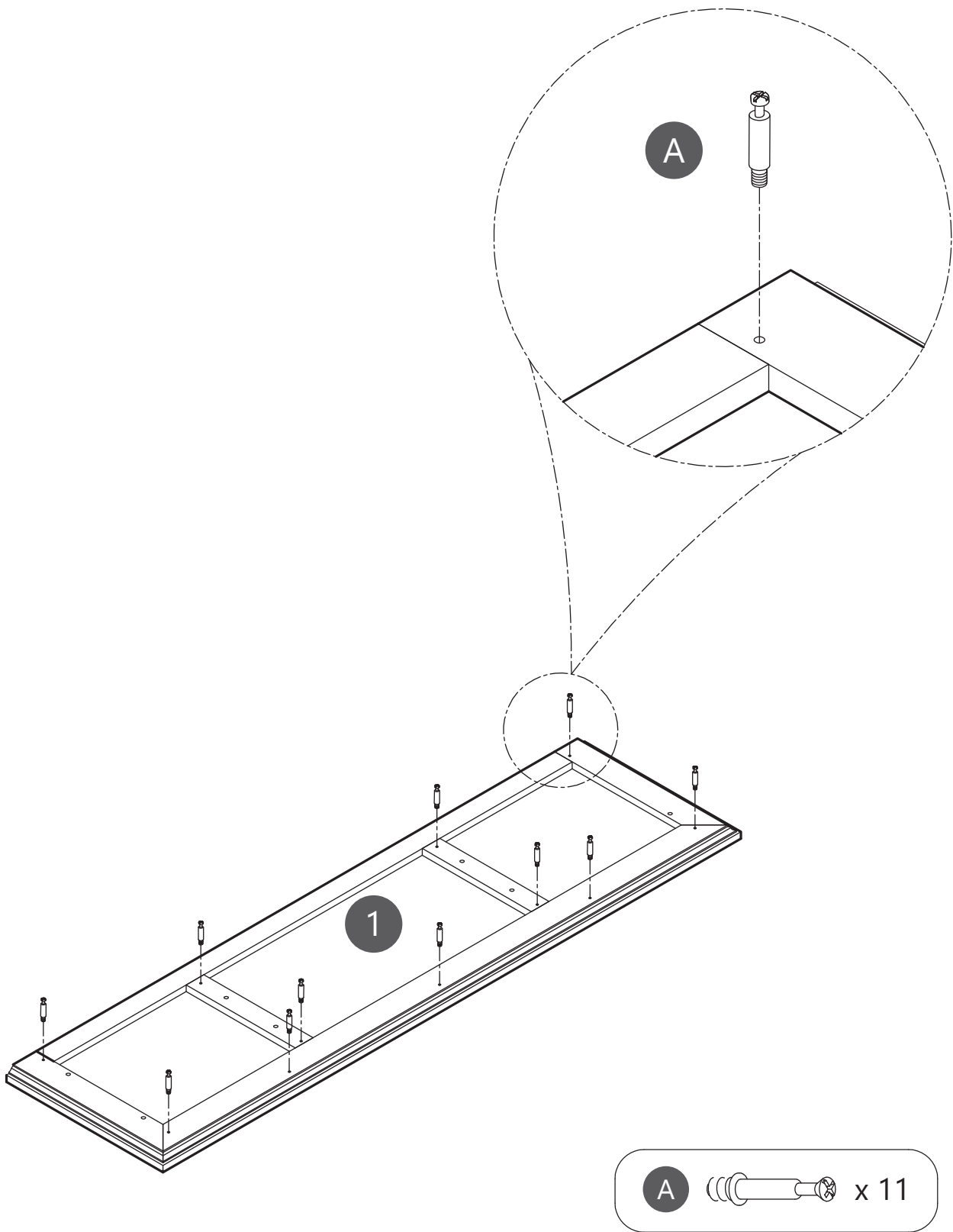
Step 34

- Screw (C) to (10)as below shown
- Attach (2)to(10)(11)(13)(14)as below shown
- Locked with B-nut



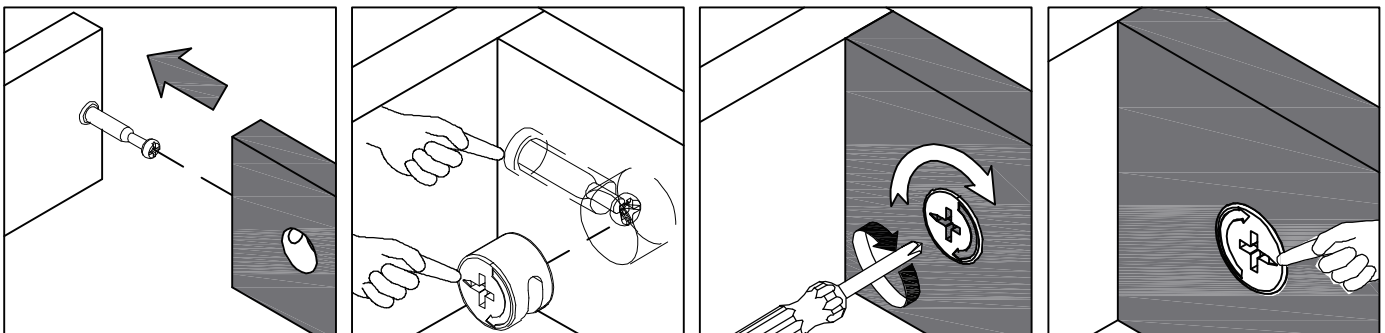
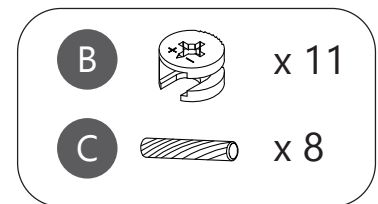
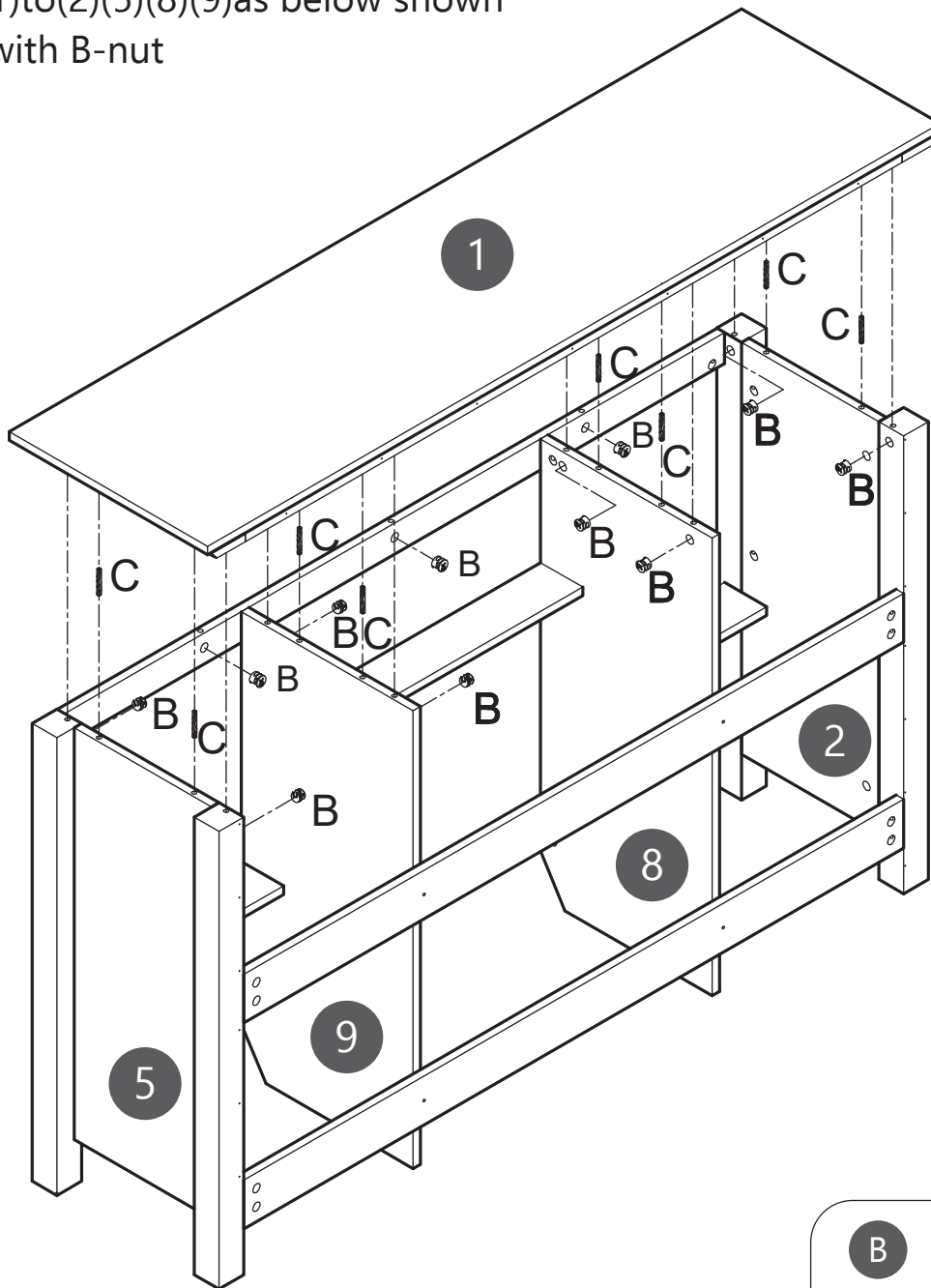
Step 35

-Screw (A) to (1) as below shown



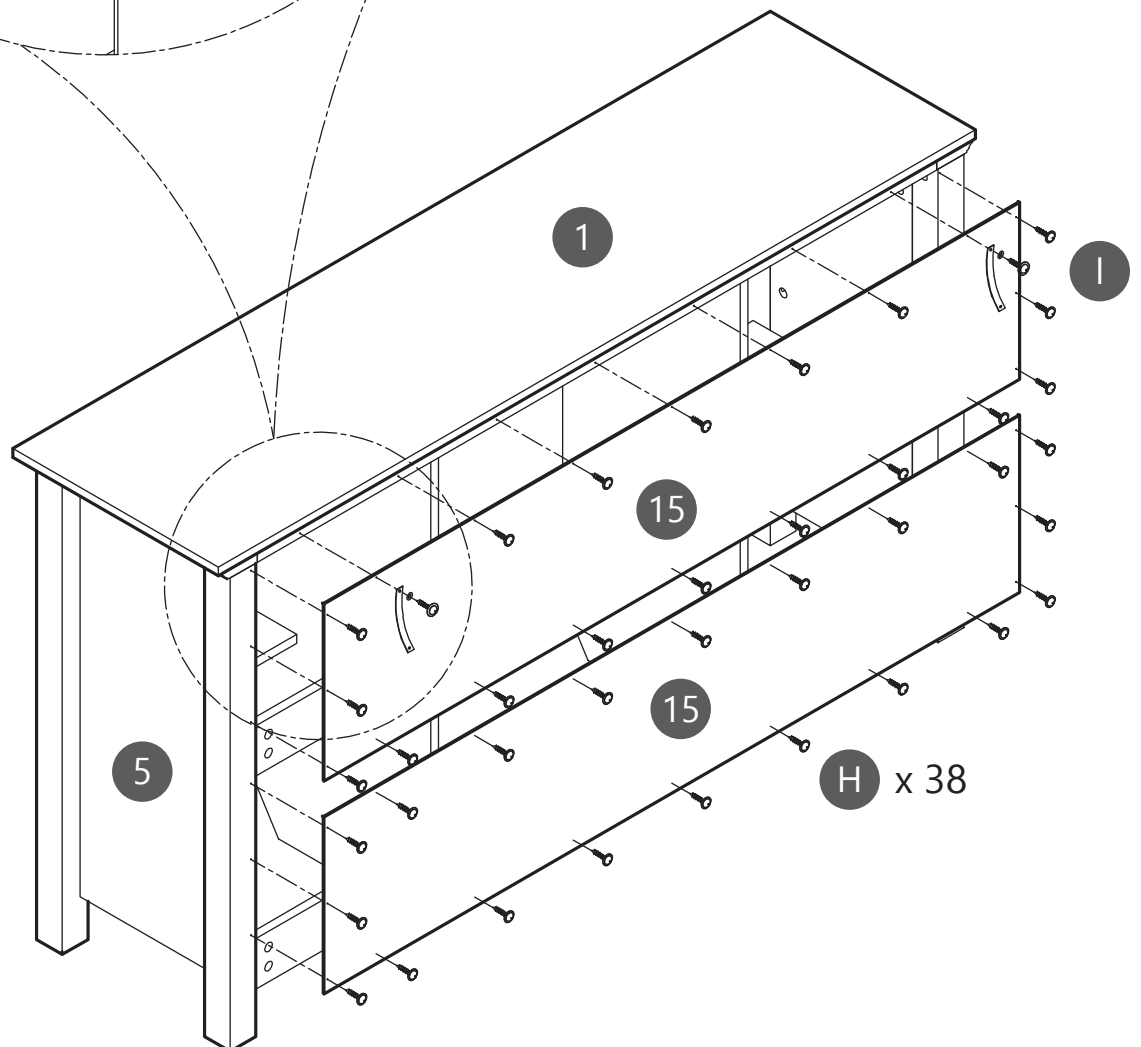
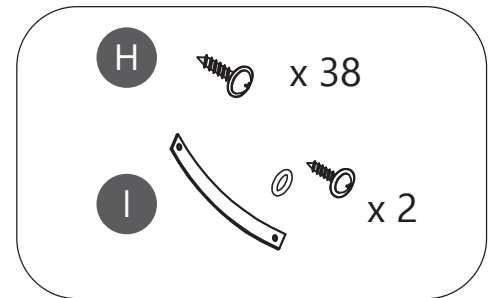
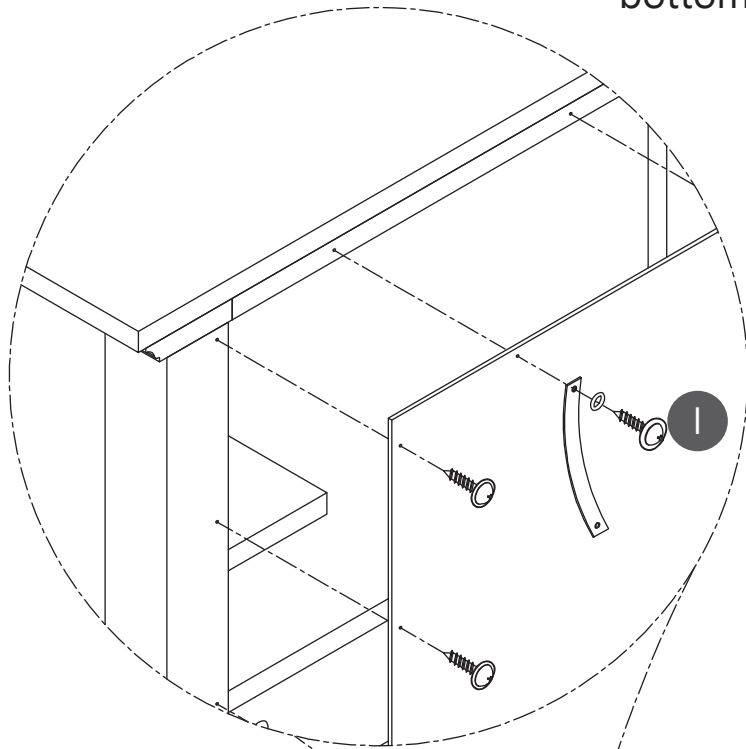
Step 36

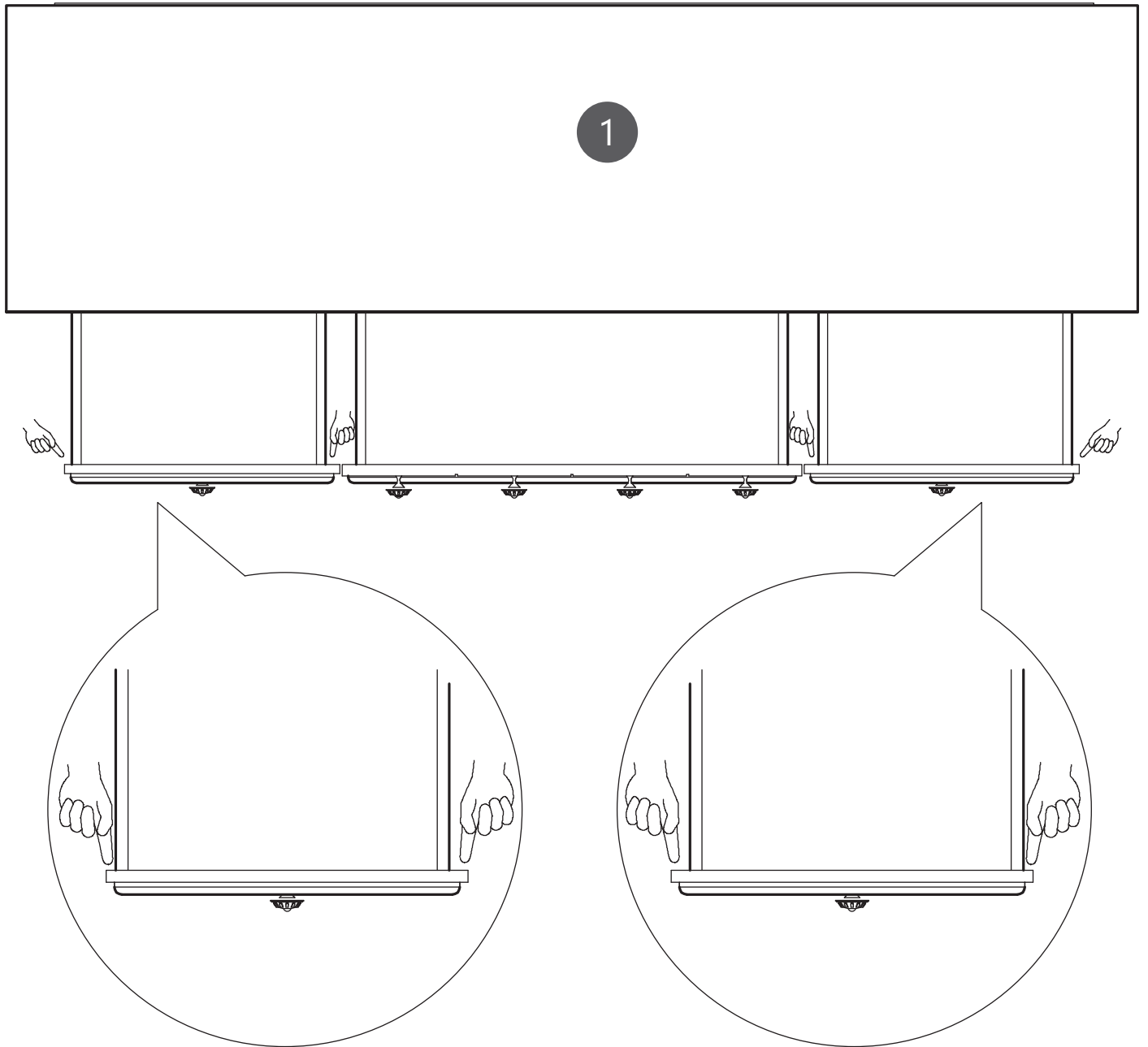
- Screw (C) to (2)(5)(8)(9) as below shown
- Attach (1) to (2)(5)(8)(9) as below shown
- Locked with B-nut



Step 37

Installation of anti-tipper and reinforcement backplane. Let's put the chest down first, then tighten the screws from top to bottom.

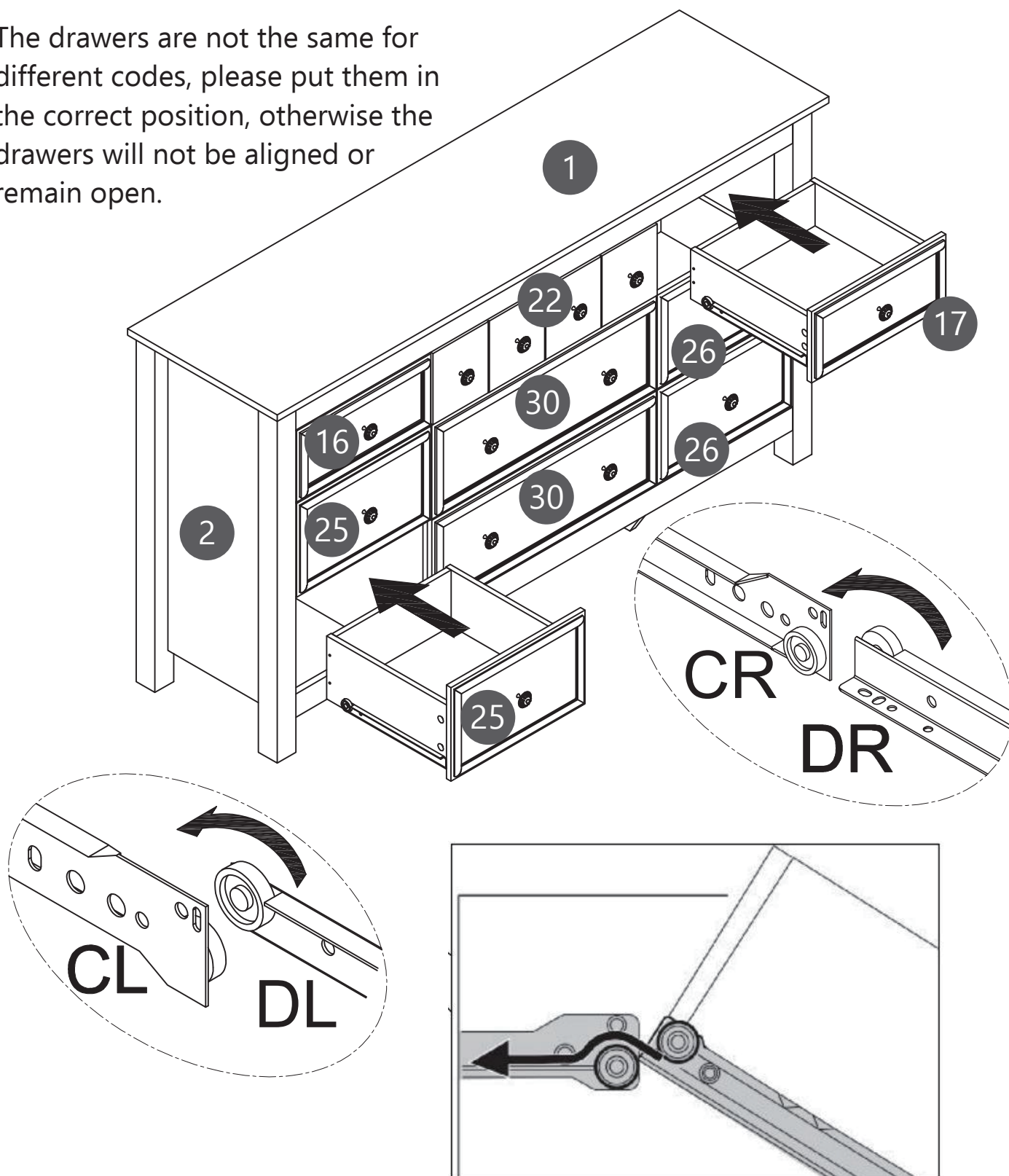




Attention: The different length of each side of the drawer helps to identify if the drawers should be installed on the right side or left side.

Step 38

The drawers are not the same for different codes, please put them in the correct position, otherwise the drawers will not be aligned or remain open.



When you put the drawer, please note that the drawer wheels on top of the wheels of the slide, then check whether the drawer is smooth when pulled out. Otherwise, the drawer will not be aligned with other drawers.

