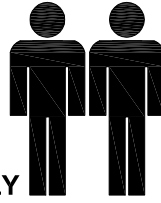


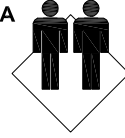
2.0hr

APPROXIMATE ASSEMBLY TIME

2 PERSONS OF ASSEMBLY

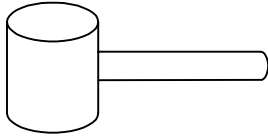


FLOOR AREA
1.5M X 1.5M

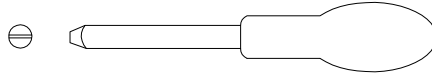


REQUIRED ASSEMBLY SPACE

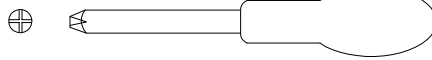
REQUIRED ASSEMBLY TOOLS



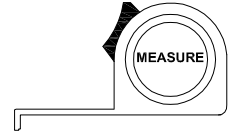
SOFT RUBBER HAMMER



SLOTTED SCREWDRIVER

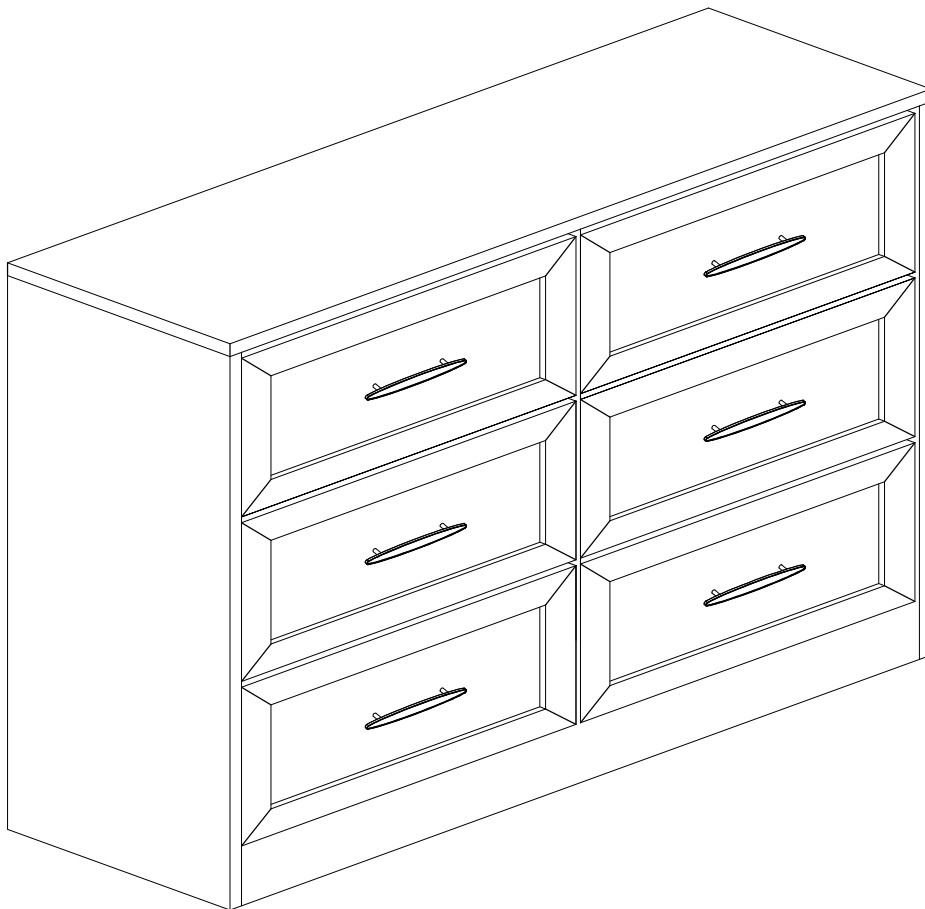


POZI SCREWDRIVER



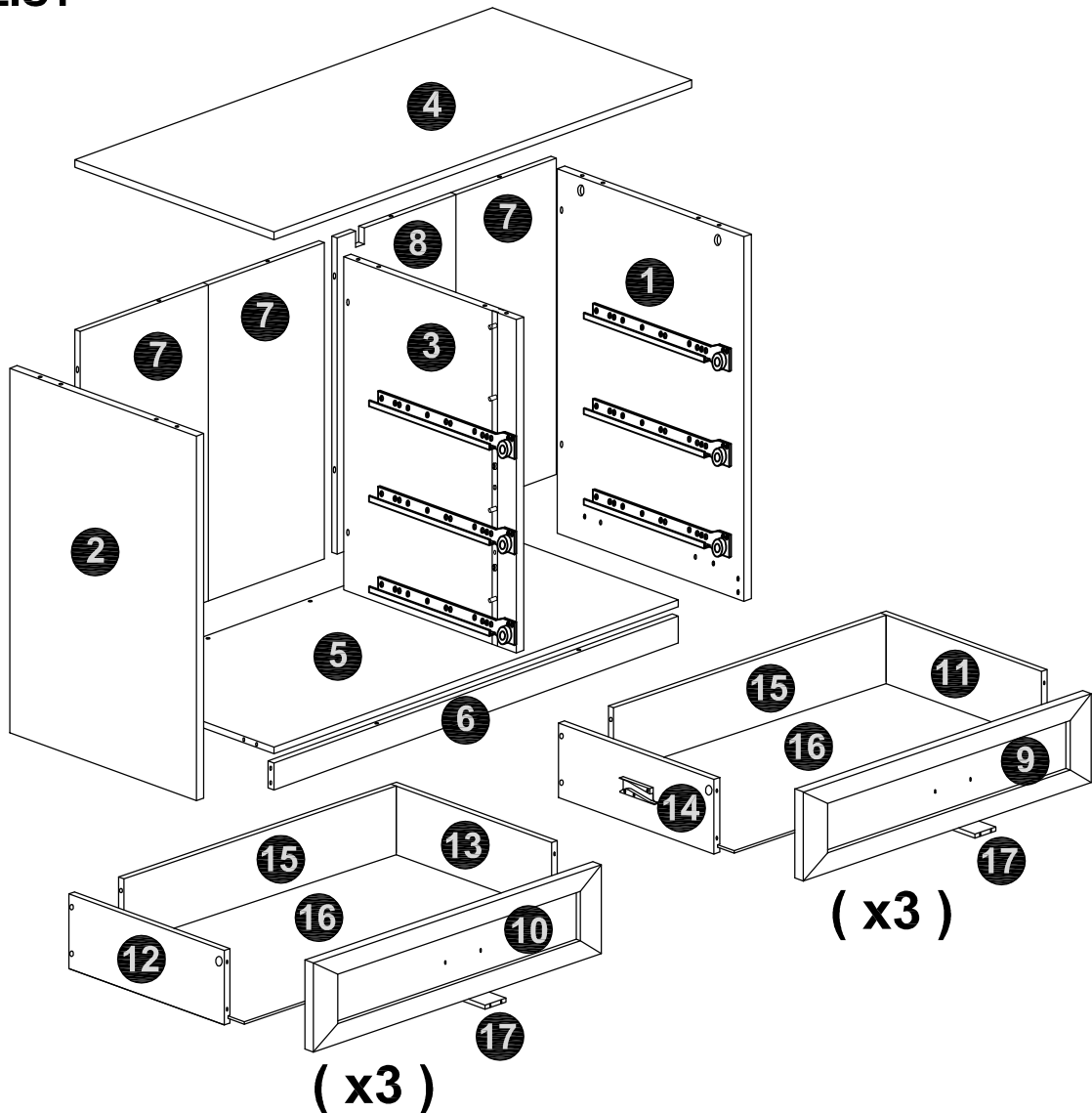
MEASURING TAPE

ASSEMBLED DIMENSIONS

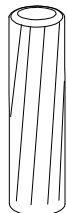


| NO. | PART LIST | QTY | NO. | PART LIST | QTY |
|------|--------------------|-----|------|---------------------------|-----|
| (1) | RIGHT PANEL | 1 | (11) | DRAWER SIDE PANEL RIGHT B | 3 |
| (2) | LEFT PANEL | 1 | (12) | DRAWER SIDE PANEL LEFT B | 3 |
| (3) | CENTRE PANEL | 1 | (13) | DRAWER SIDE PANEL RIGHT A | 3 |
| (4) | TOP PANEL | 1 | (14) | DRAWER SIDE PANEL LEFT A | 3 |
| (5) | BOTTOM PANEL | 1 | (15) | DRAWER BACK PANEL | 6 |
| (6) | CROSSBAR | 1 | (16) | DRAWER BOTTOM | 6 |
| (7) | BACK PANEL A | 3 | (17) | DRAWER BOTTOM SUPPORT | 6 |
| (8) | BACK PANEL B | 1 | | | |
| (9) | DRAWER FRONT RIGHT | 3 | | | |
| (10) | DRAWER FRONT LEFT | 3 | | | |

PARTS LIST



HARDWARE LIST

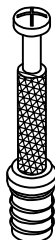


62X

Dia.6 x 30mm

A

WOOD
DOWEL

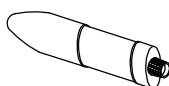


22X

M6.5 x 32mm

B

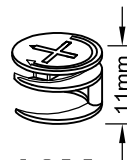
QUICKFIT



3X

C

GLUE



10X

Dia 15mm

D

LARGE
CAMLOCK

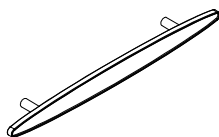


12X

Dia 15mm

E

SMALL
CAMLOCK



6X

F

HANDLE



12X

M4 x 10mm

G

SCREW



36X

M3.5 x 25mm

H

SCREW

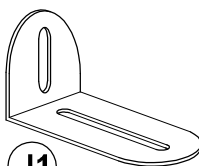


2X

M8 x 38mm

I

SCREW



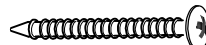
J1



J2



J3



J4

1X

J

SAFETY
BRACKET
KIT

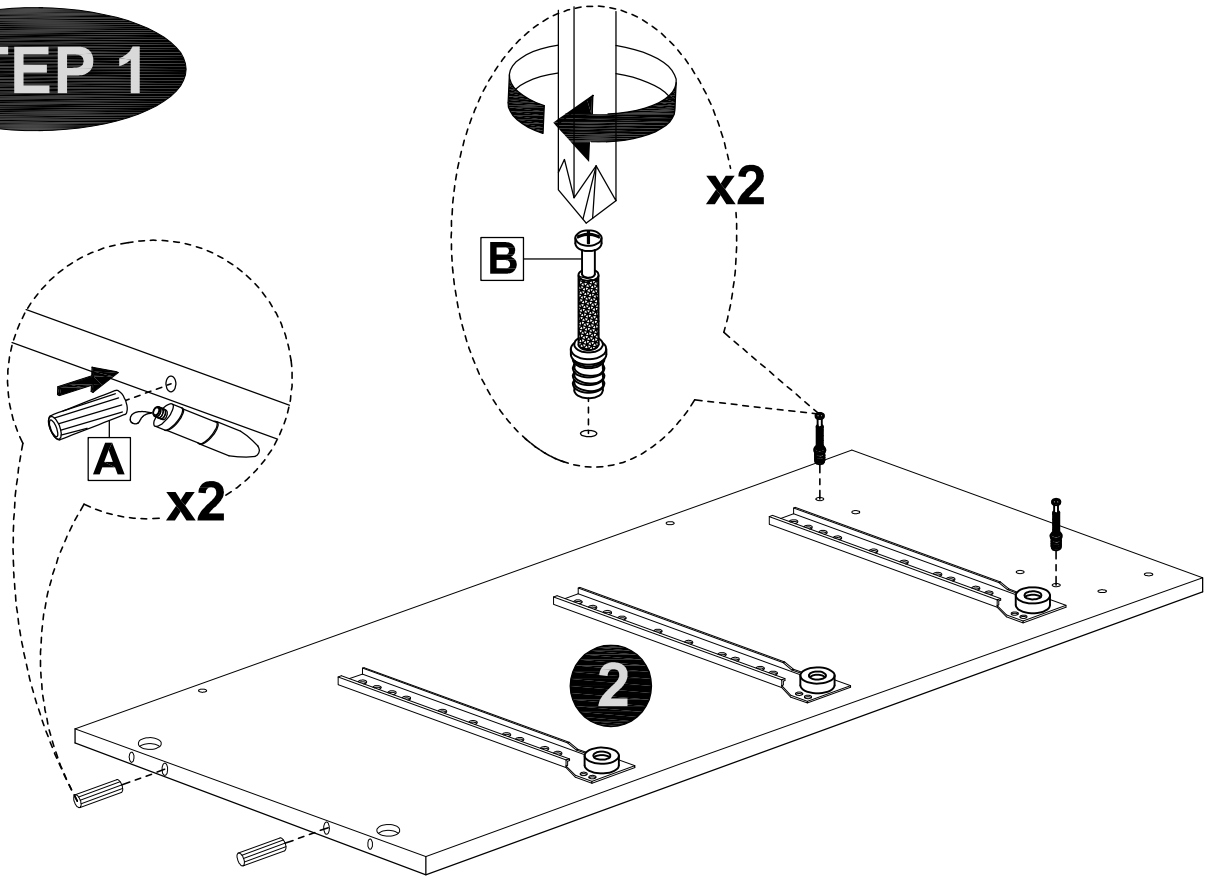
Top Tips before you start!

1. Please check that all parts are present before you start the assembly of your furniture.
2. For ease and speed of assembly, we recommend that before you commence each step of the assembly, that you identify all the parts required for that step.
3. For larger items, please ensure that you have sufficient space and people (as indicated on page 1) to assemble your product safely
4. We recommend that, where possible, all items are assembled near to the area in which they will be placed in use, to avoid moving the product unnecessarily once assembled.
5. For the protection of your furniture, particularly items of high gloss finish, we recommend that the product is placed on a protected surface during assembly to prevent any damage.
6. Caution - Electric / Battery operated screw driver NOT RECOMMENDED.
7. During assembly please take care not to over-tighten any fittings, as this may damage the product.
8. Always place the product on a flat, steady and stable surface.
9. Do not sit or stand on the product.
Do not use the product as a stepladder.
10. This product is intended for indoor, household use only as it is non industrial product.
11. This product is constructed from re-inforced hollow board. Excessive pressure cause irreparable damage. Please do not kneel on any part of this product during assembly.

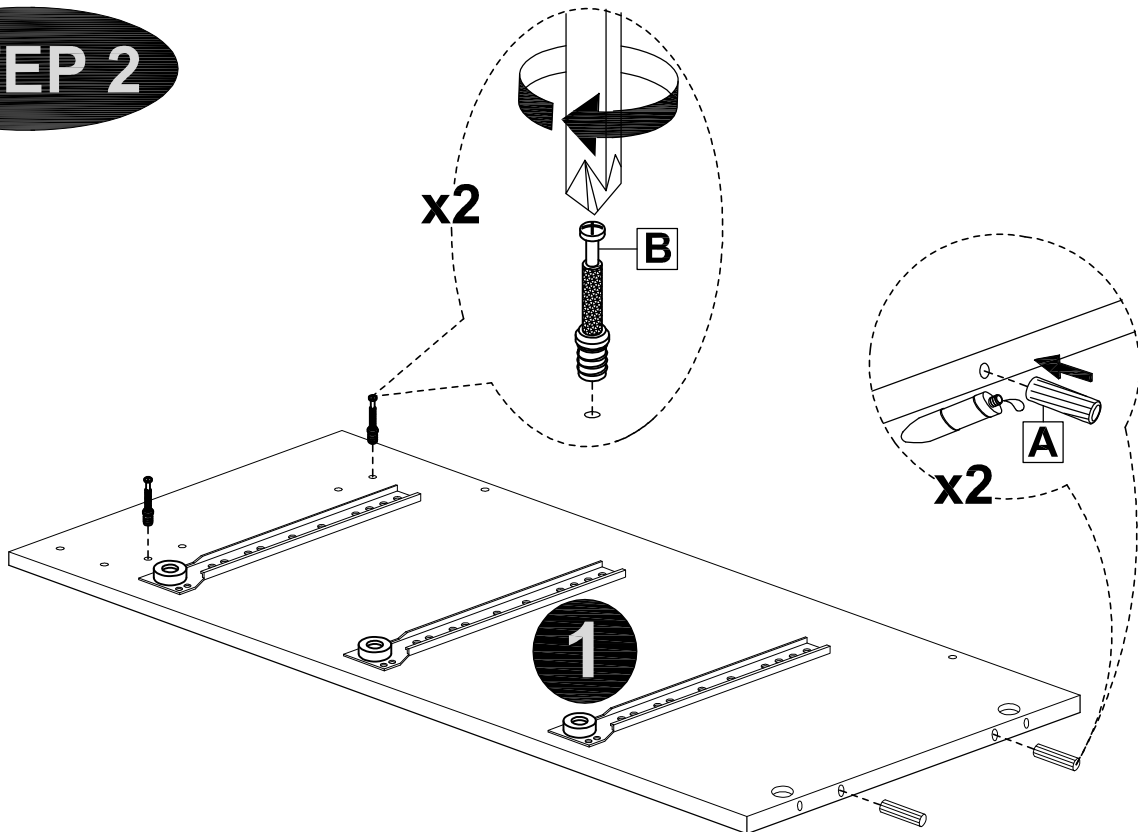
Care and Maintenance of your Furniture

- Please periodically check all fittings and re-tighten as necessary.
- To clean your item, please use a damp cloth and wipe clean.
- Never allow any kind of liquid to remain on your furniture.
- Please do not place hot items (e.g. hot drinks) directly on to the wood surface.
- Please do not drag and pull your furniture.

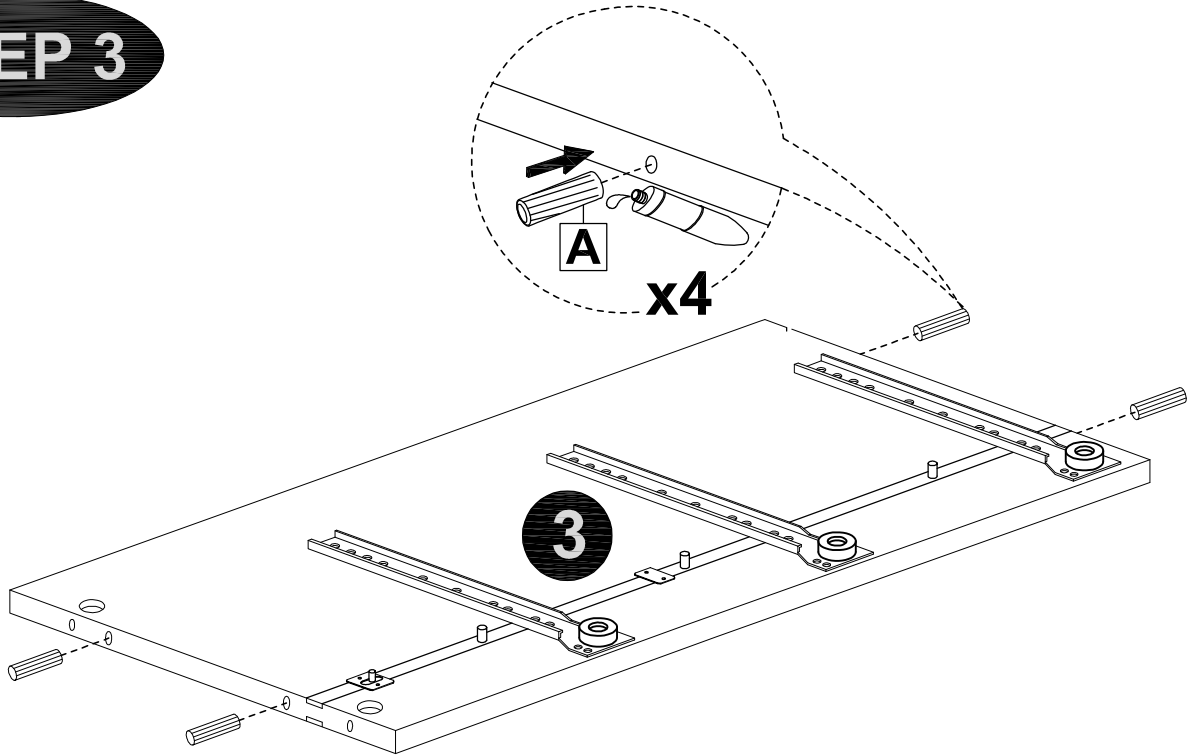
STEP 1



STEP 2

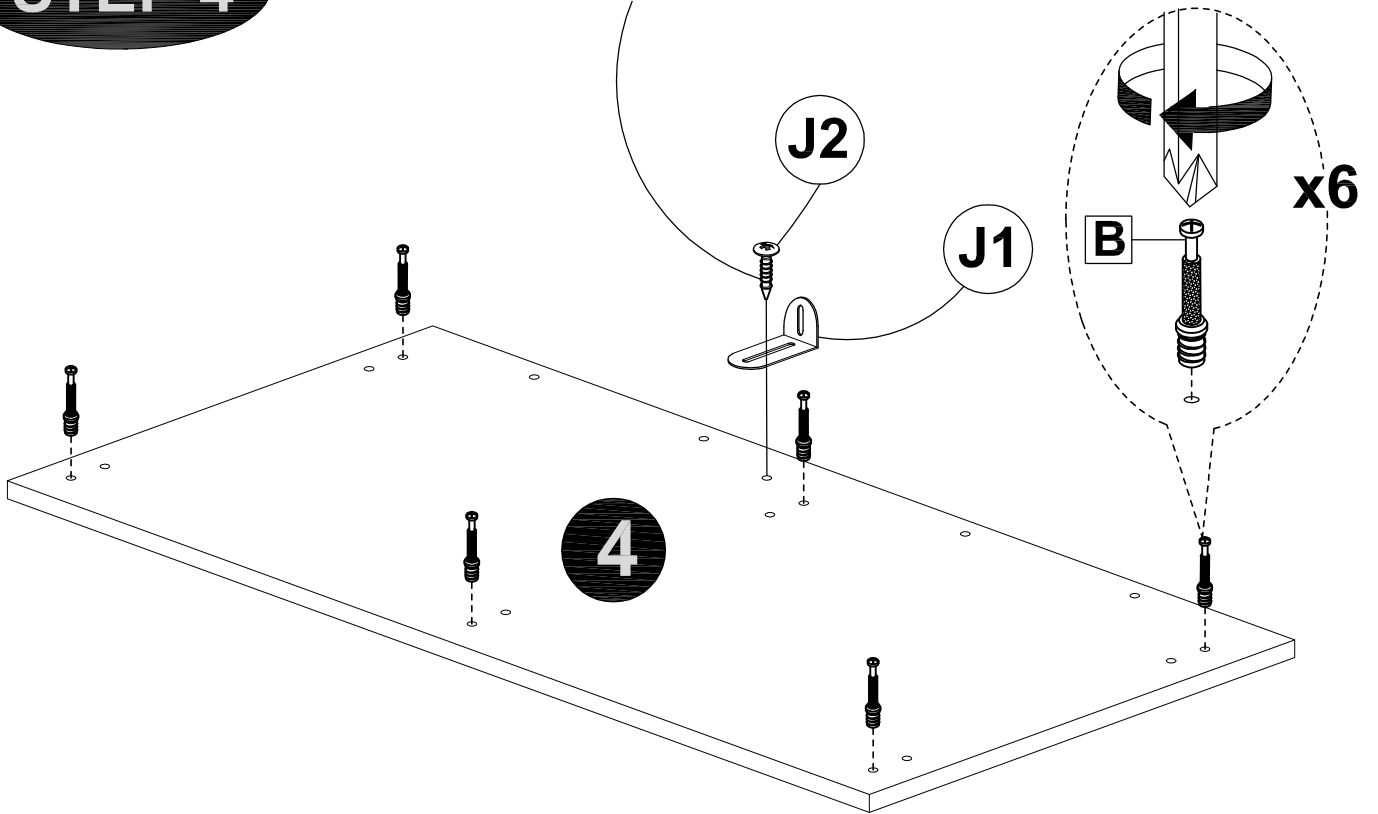


STEP 3

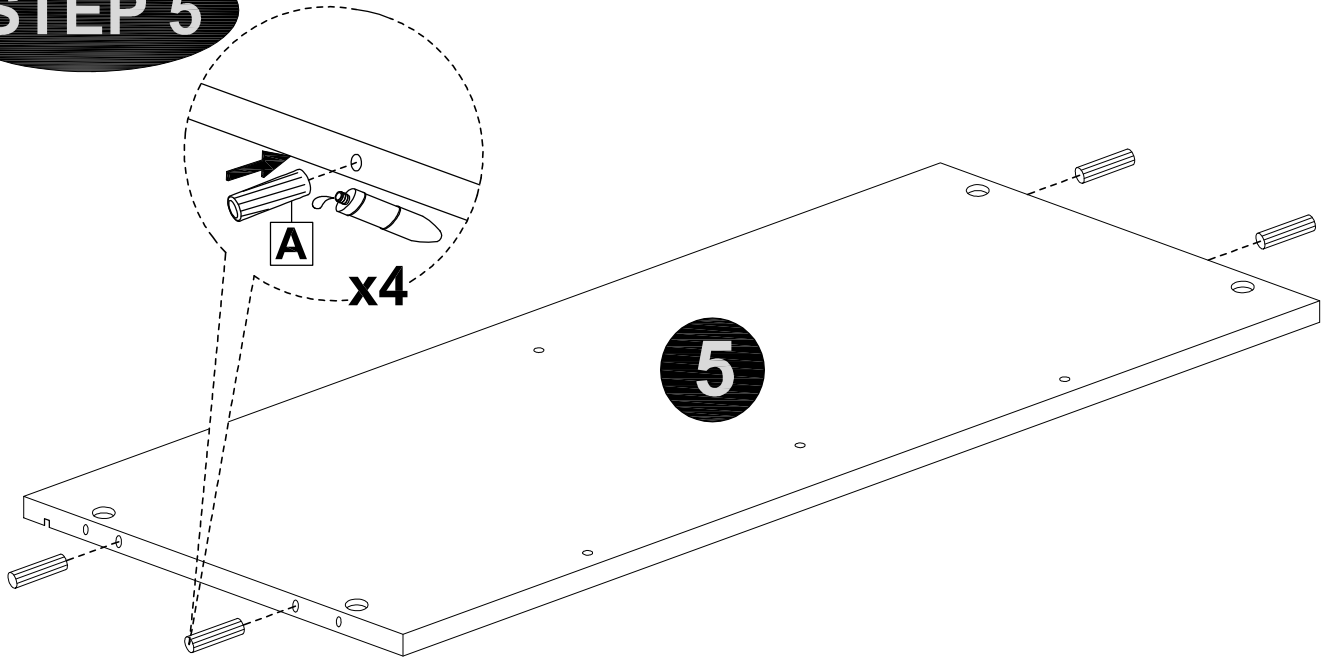


STEP 4

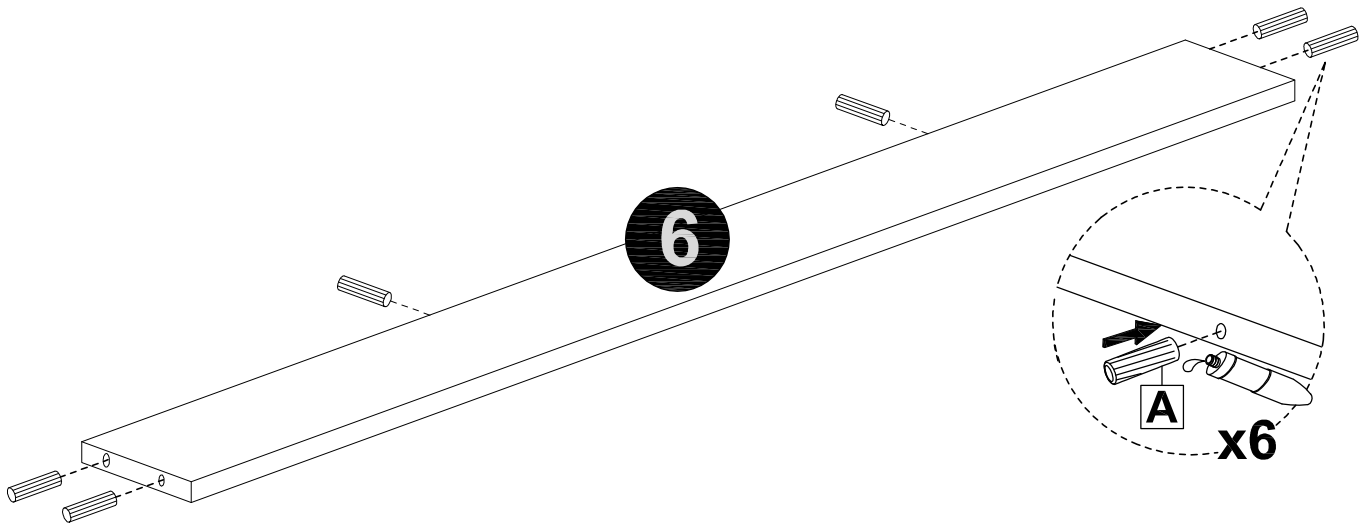
Do not fully tighten this screw



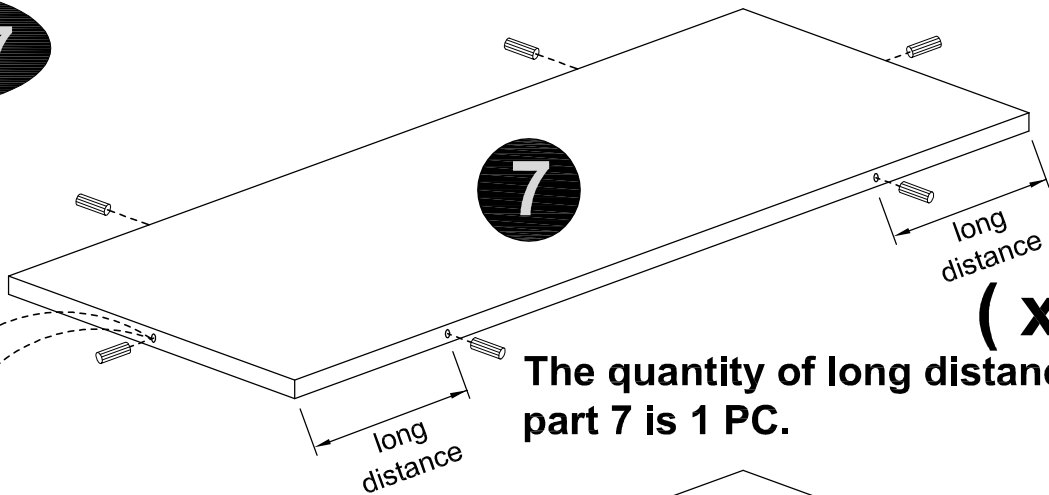
STEP 5



STEP 6

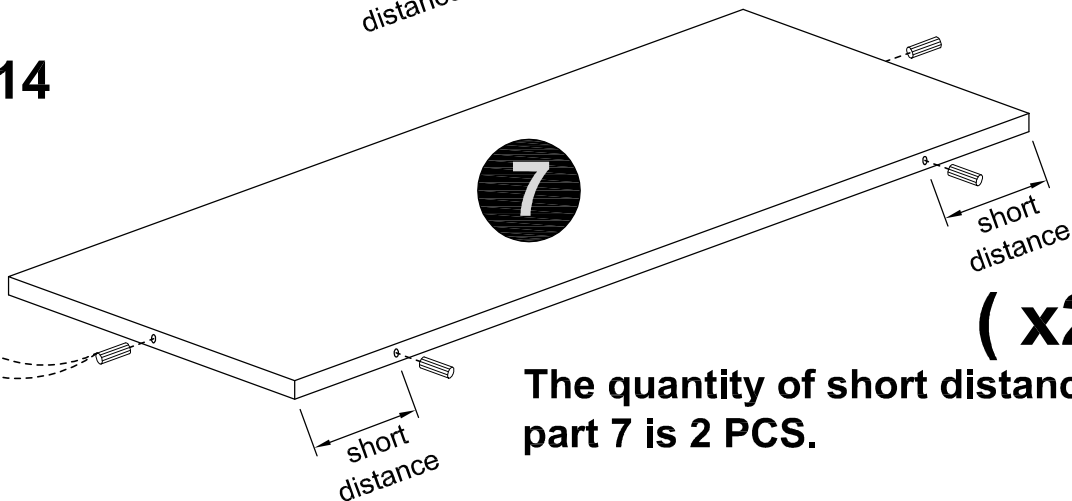


STEP 7



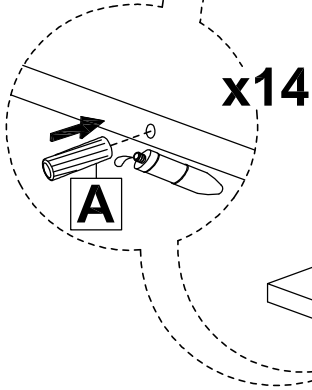
(x1)

The quantity of long distance of part 7 is 1 PC.

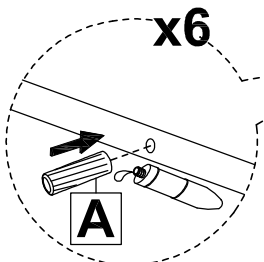
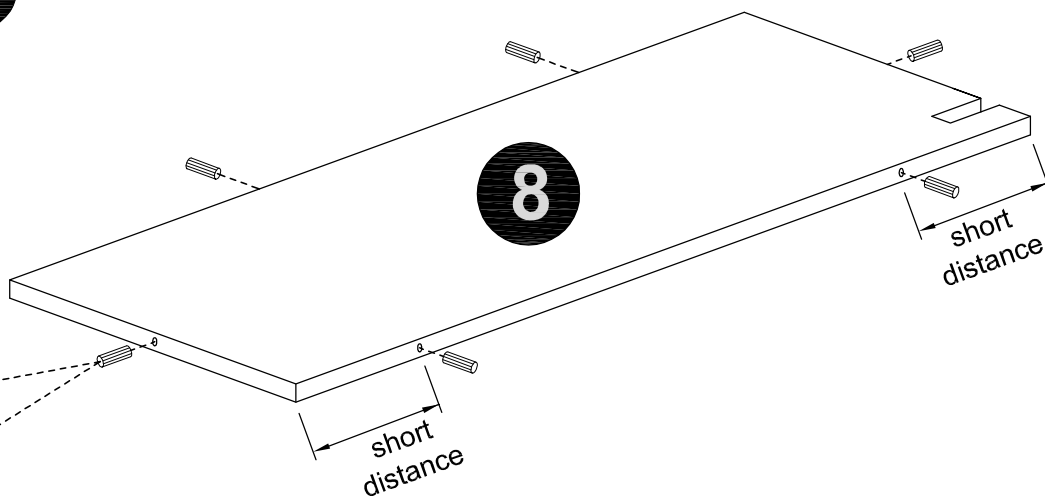


(x2)

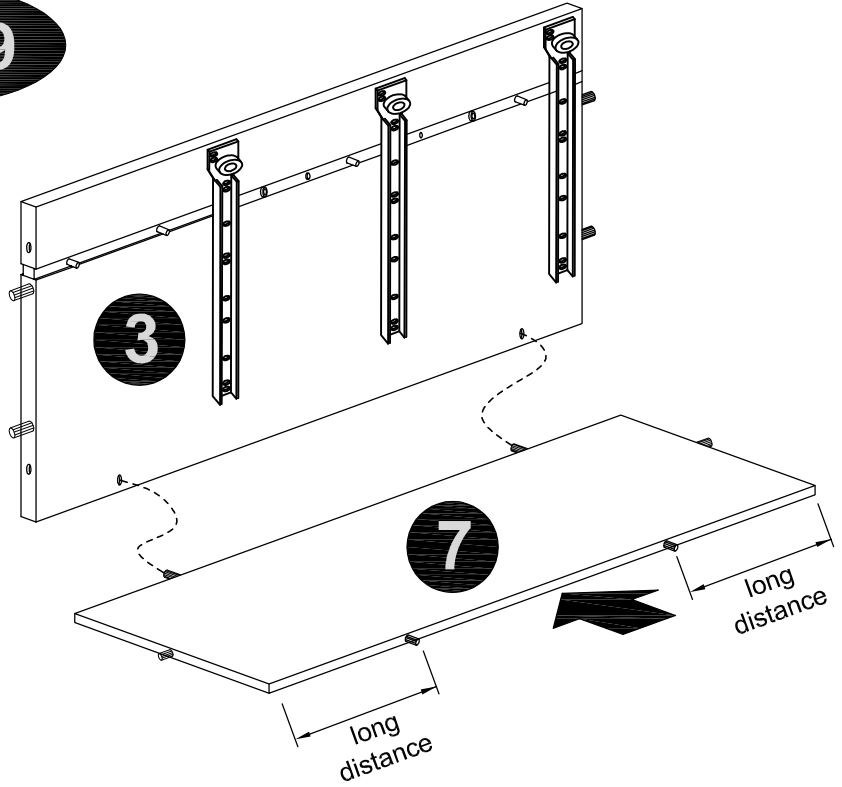
The quantity of short distance of part 7 is 2 PCS.



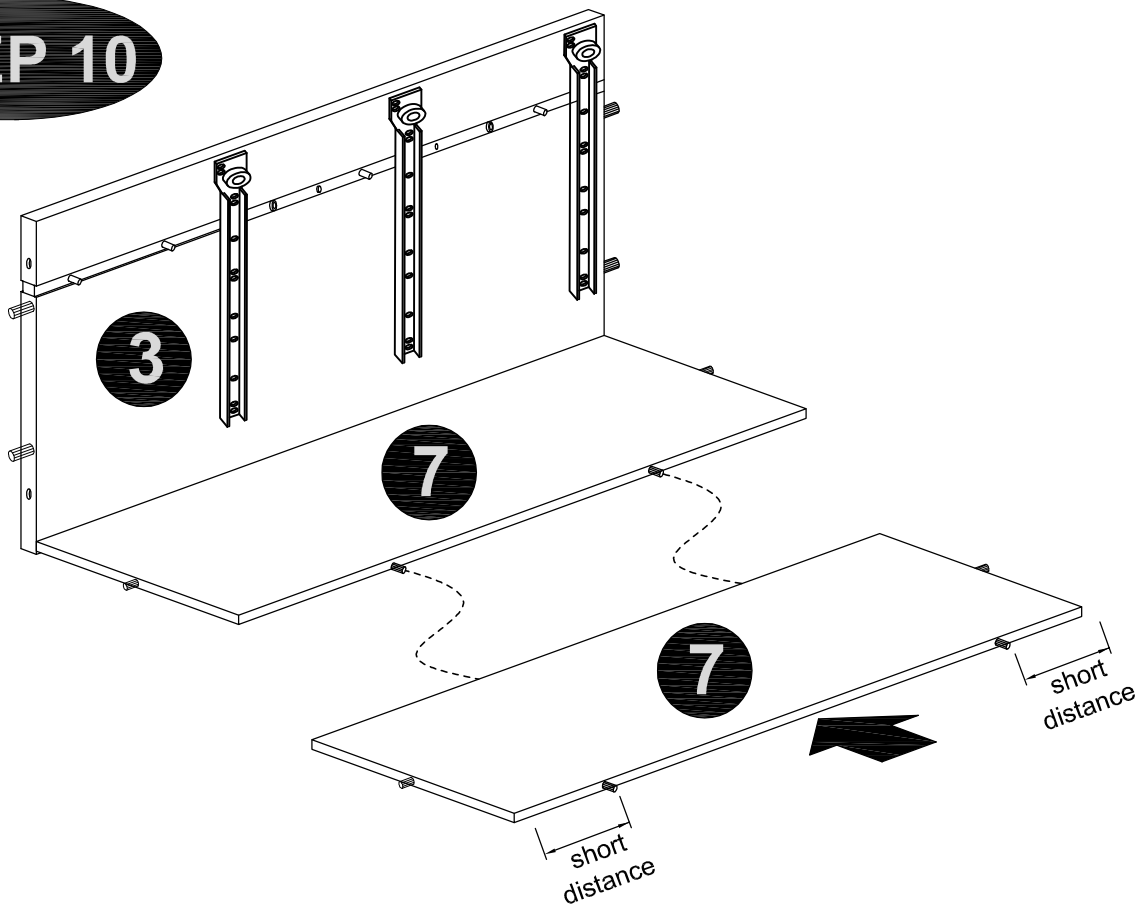
STEP 8



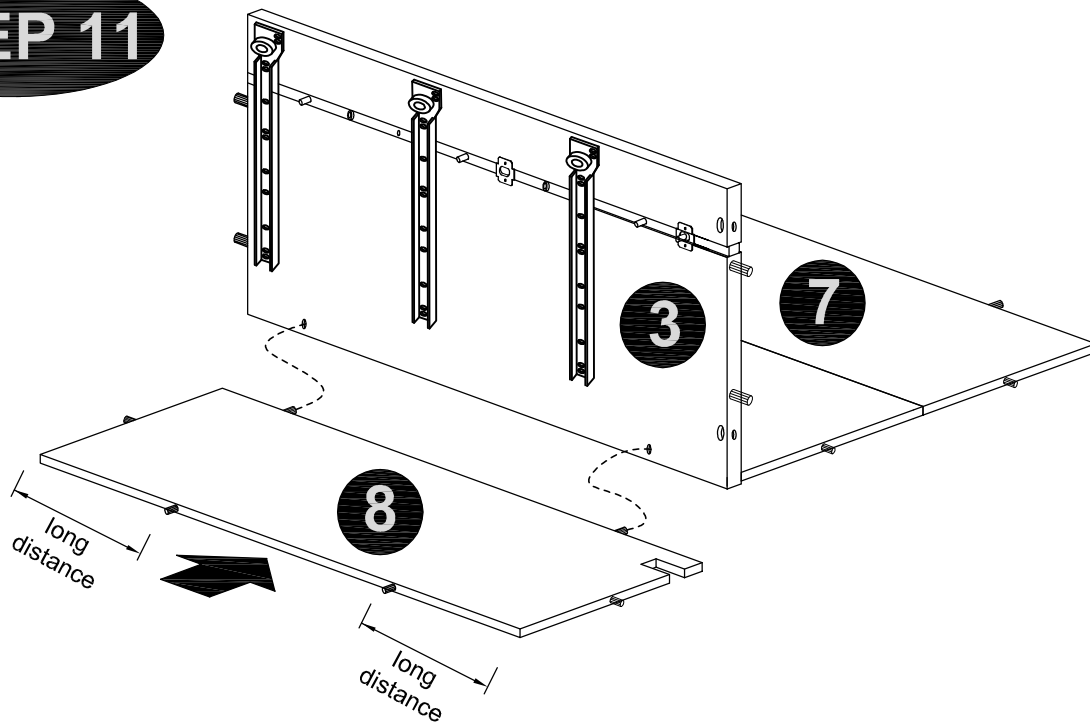
STEP 9



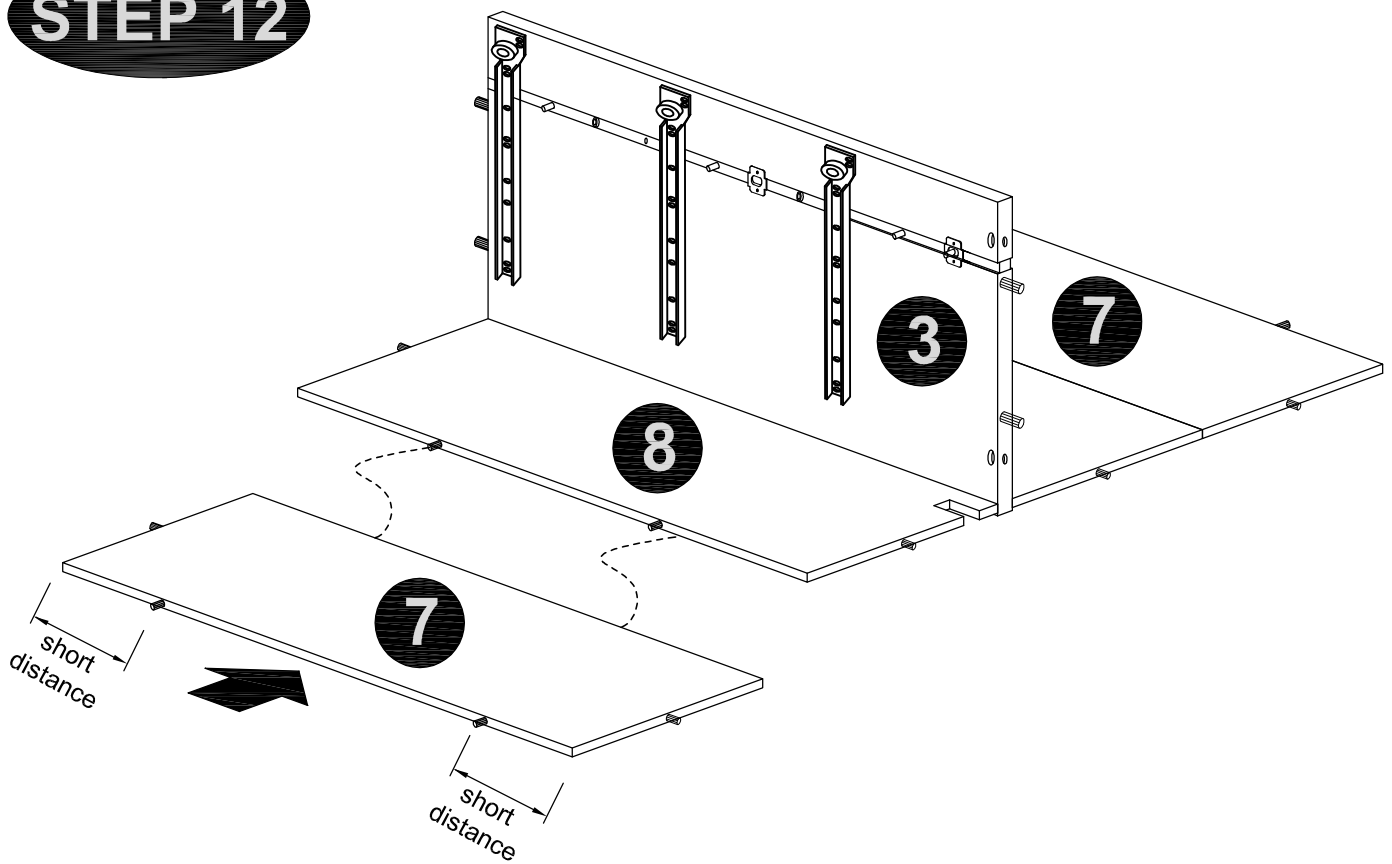
STEP 10



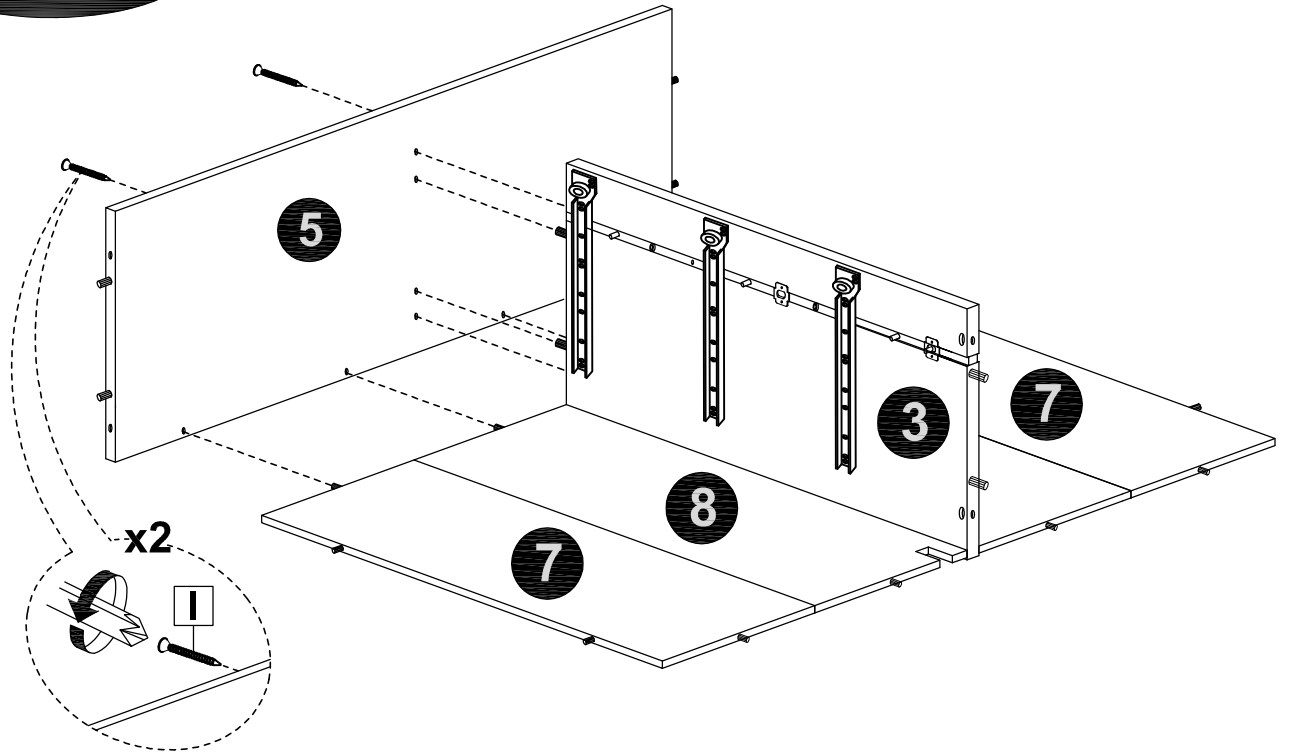
STEP 11



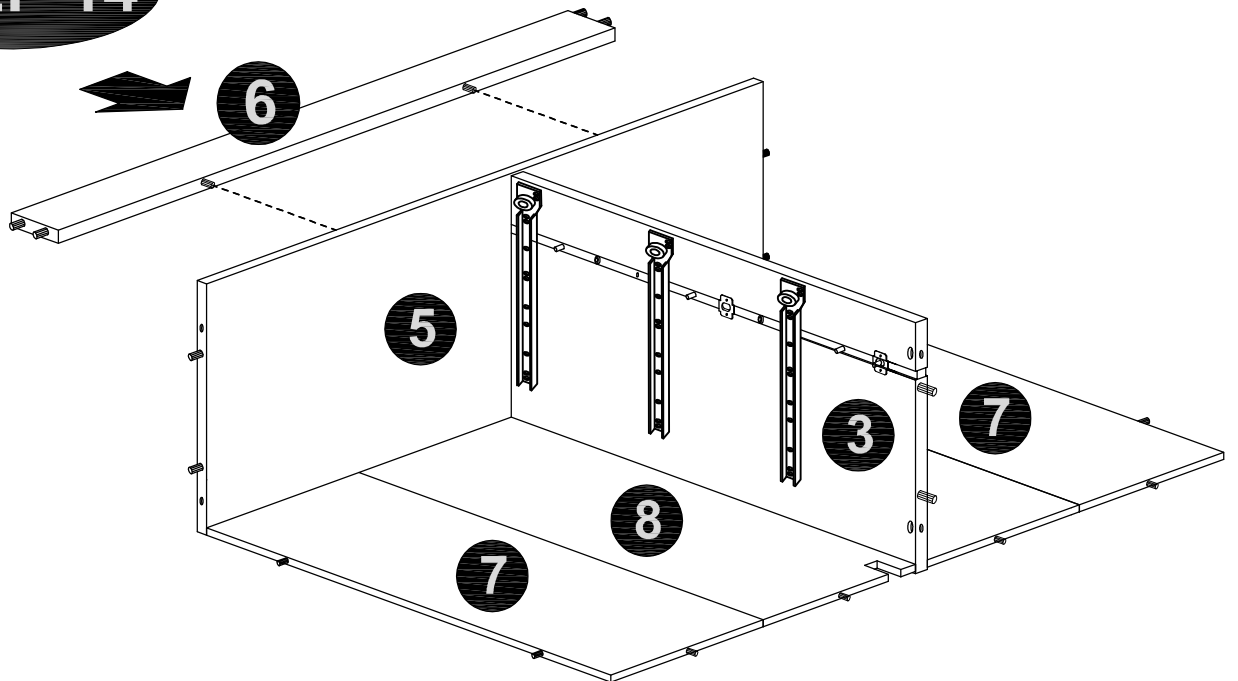
STEP 12



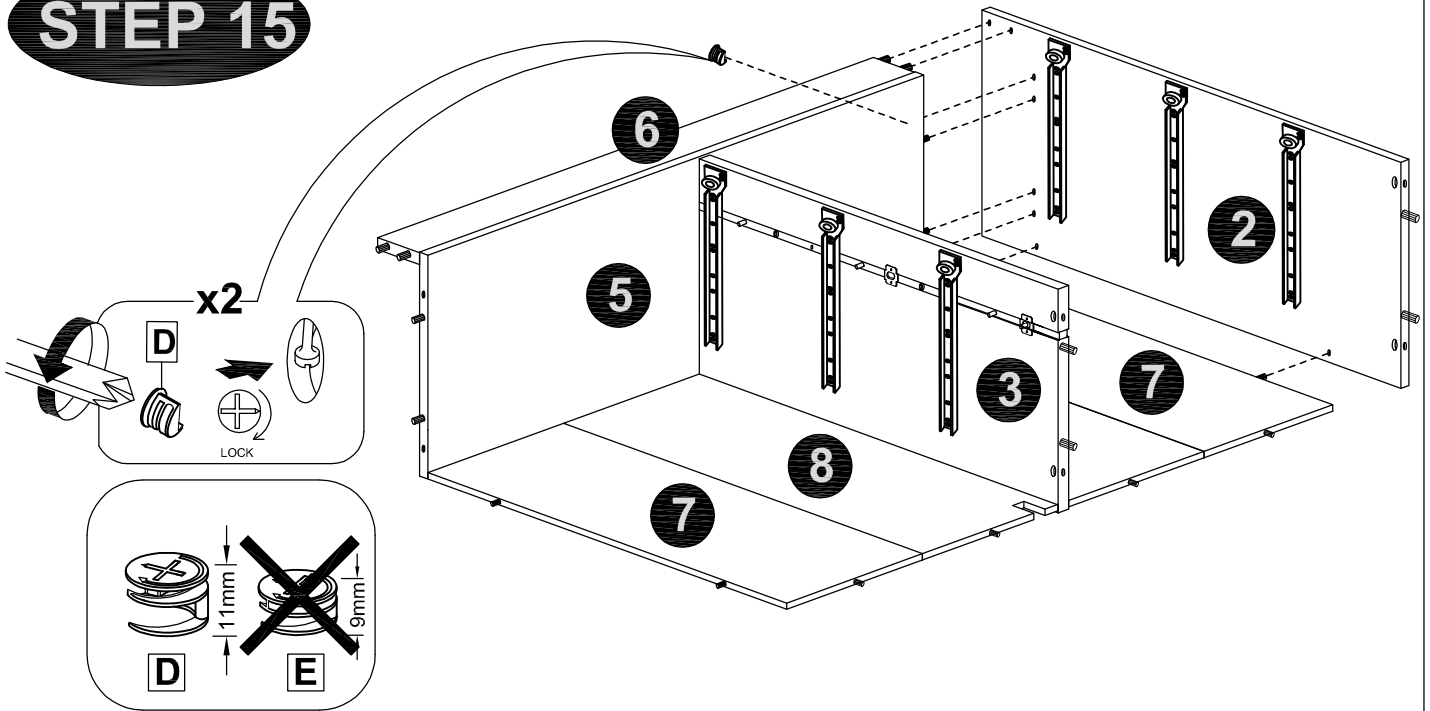
STEP 13



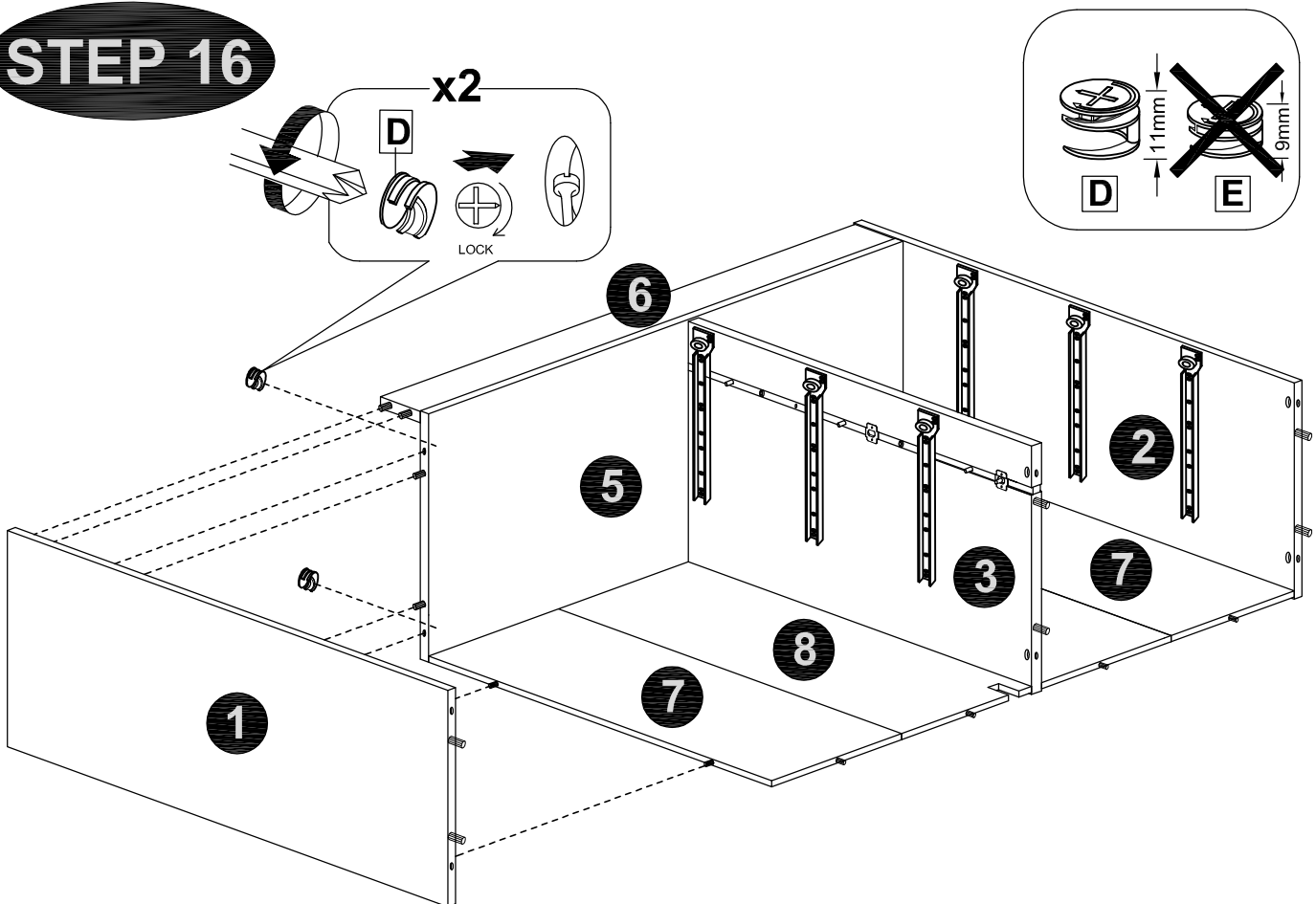
STEP 14



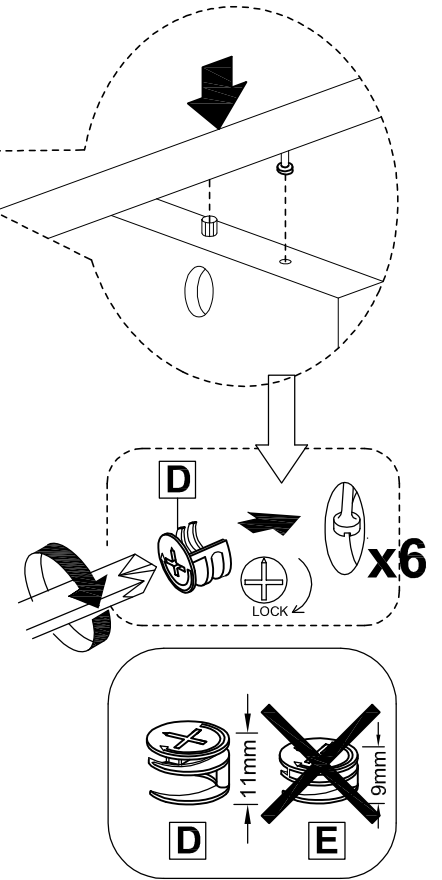
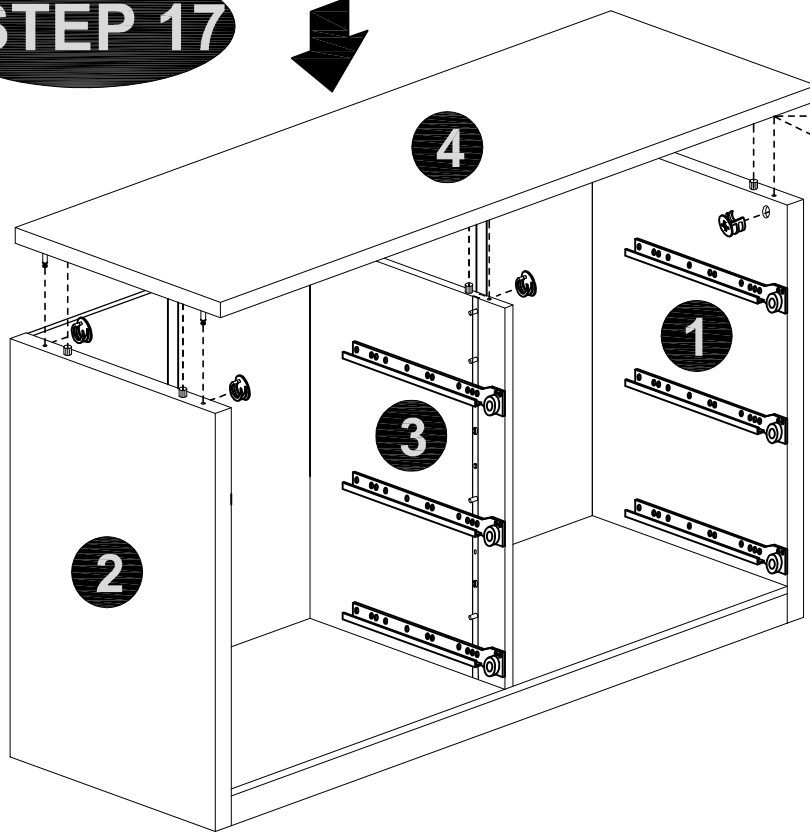
STEP 15



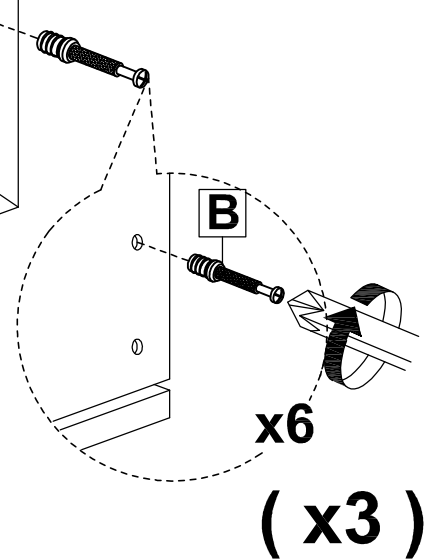
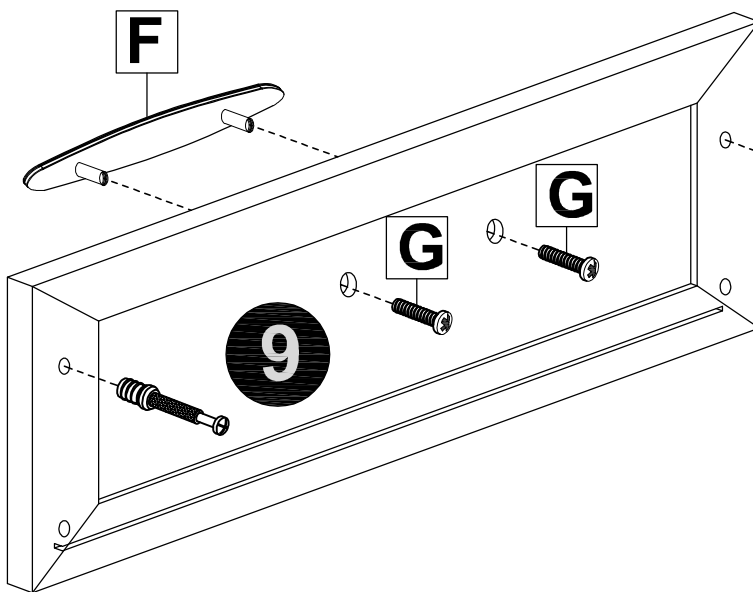
STEP 16



STEP 17

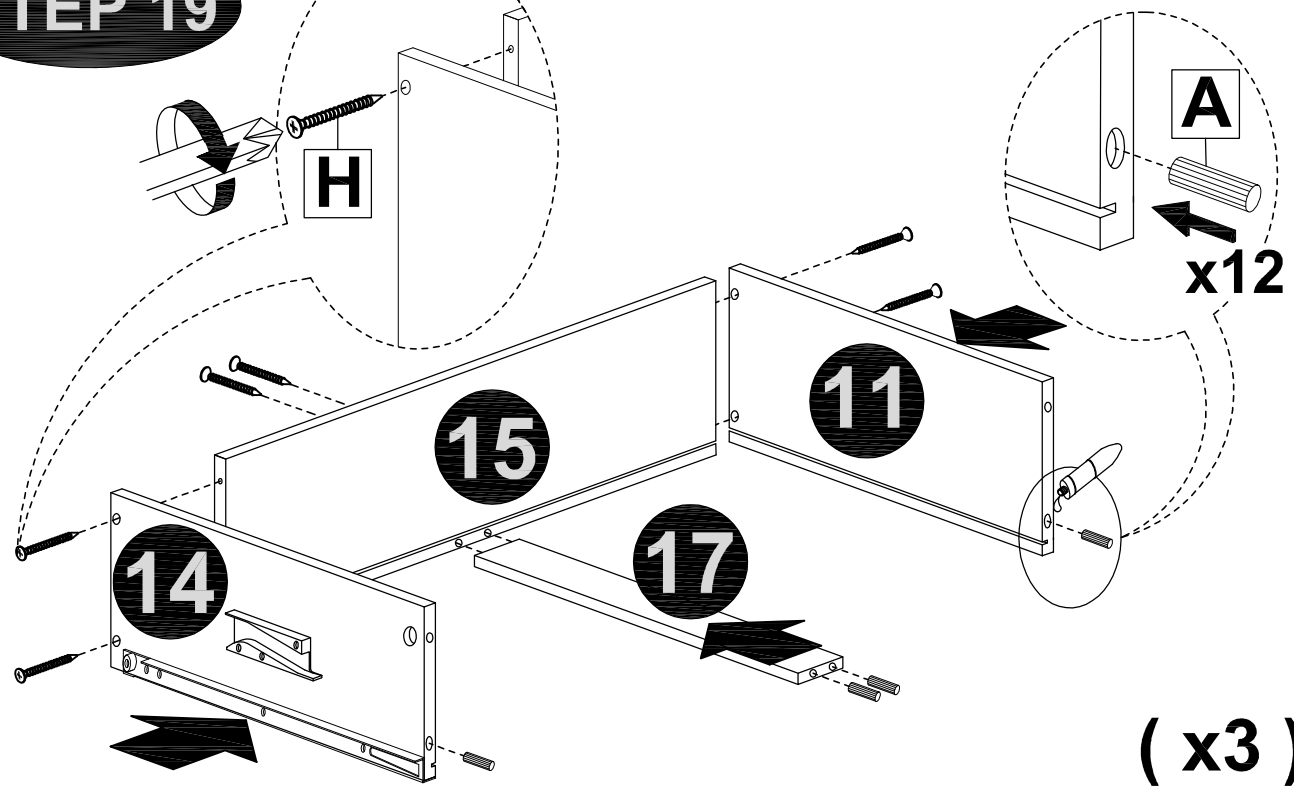


STEP 18



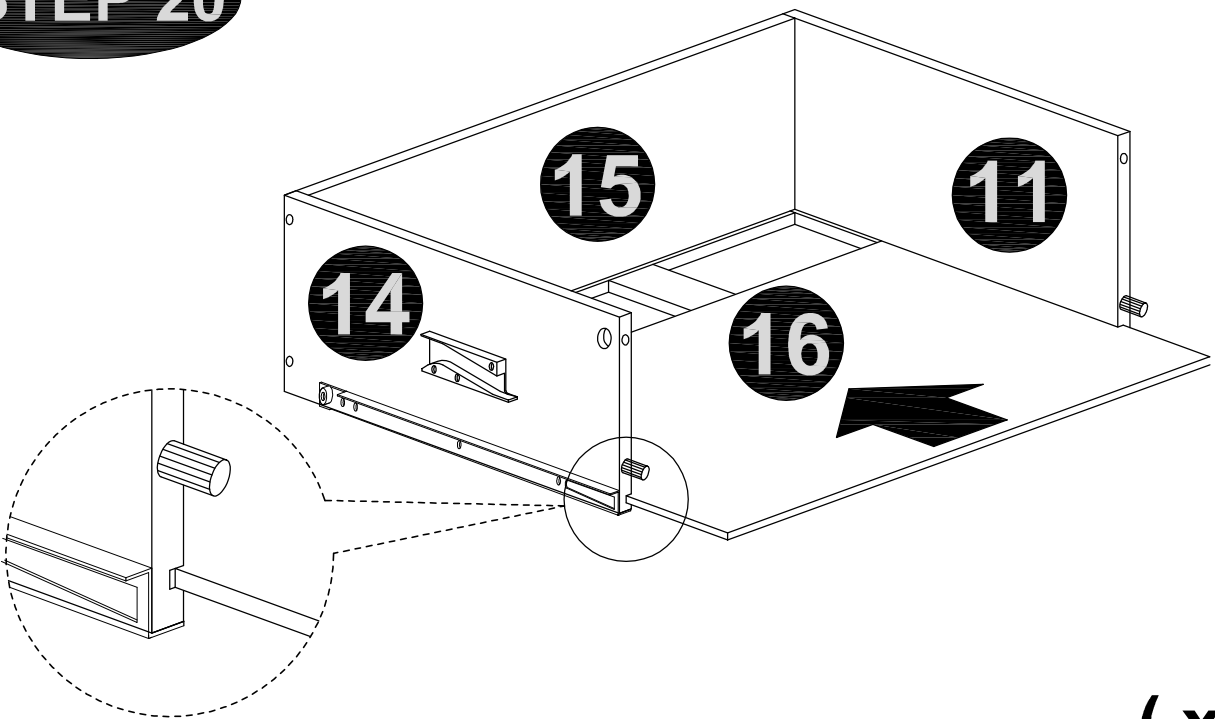
STEP 19

x18



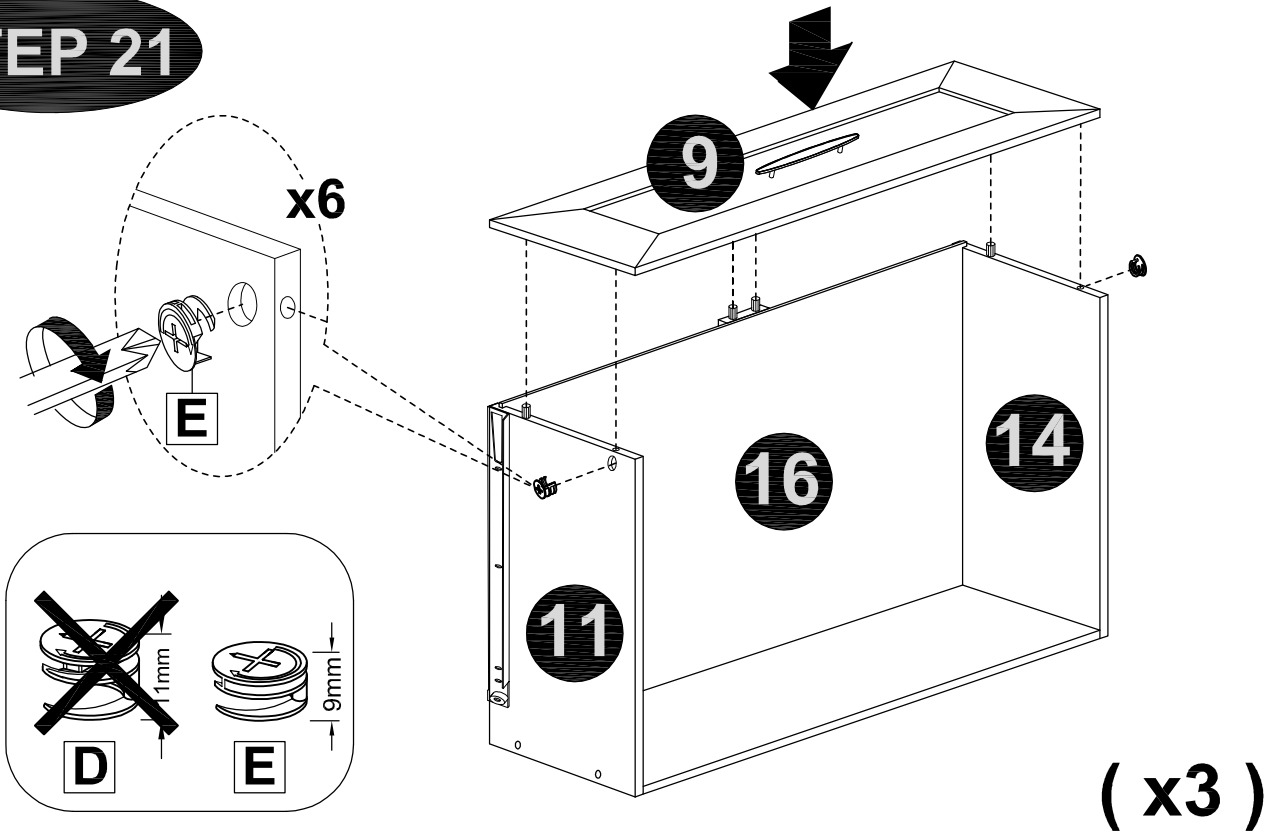
(x3)

STEP 20

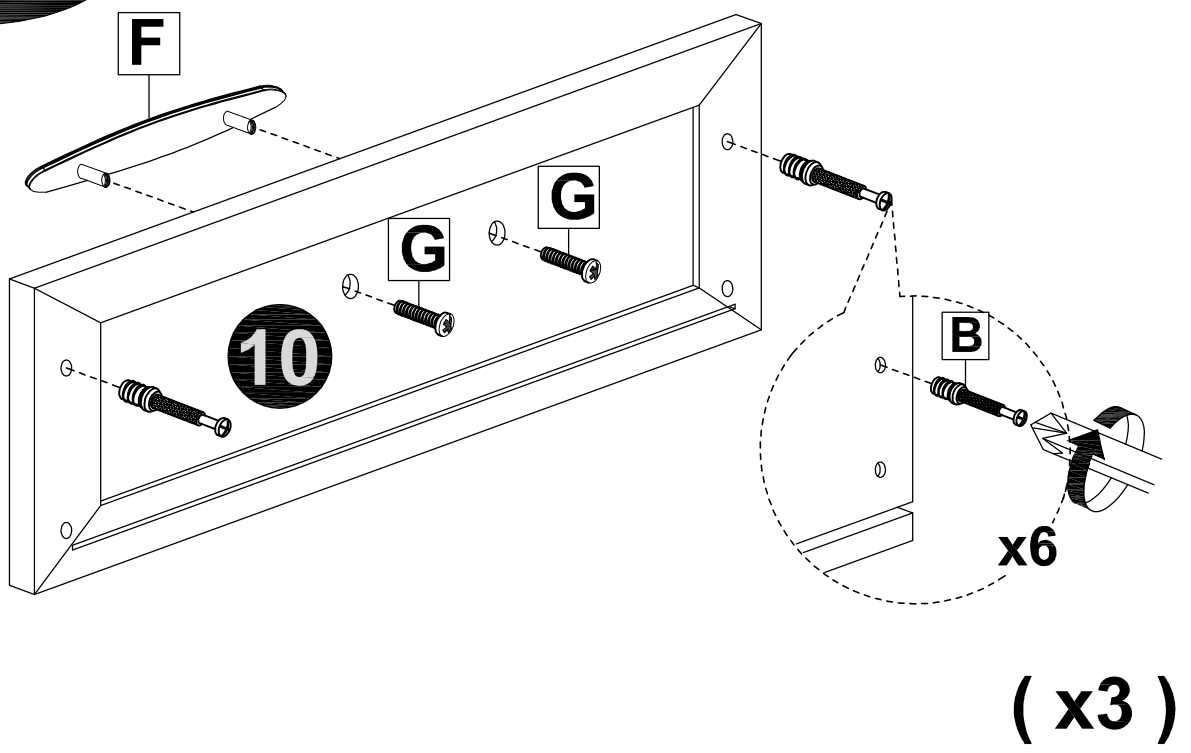


(x3)

STEP 21

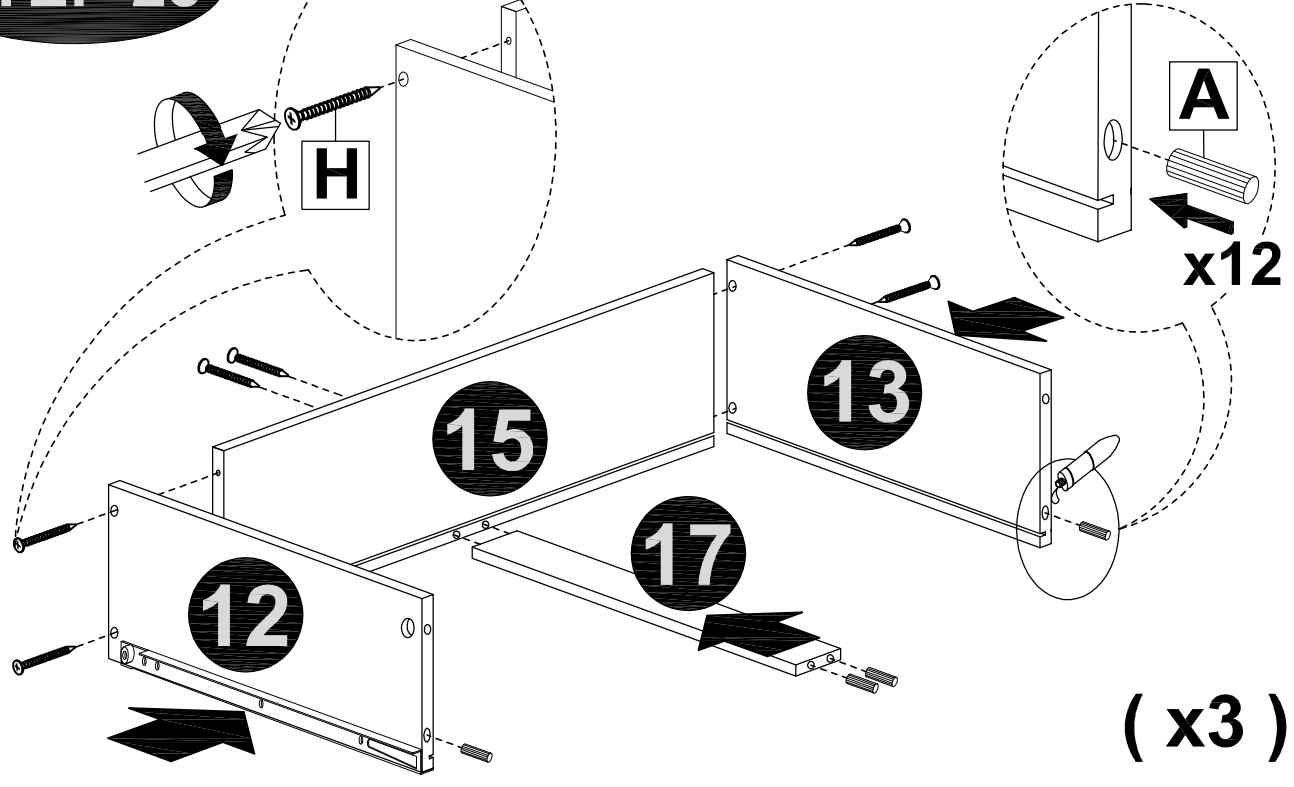


STEP 22

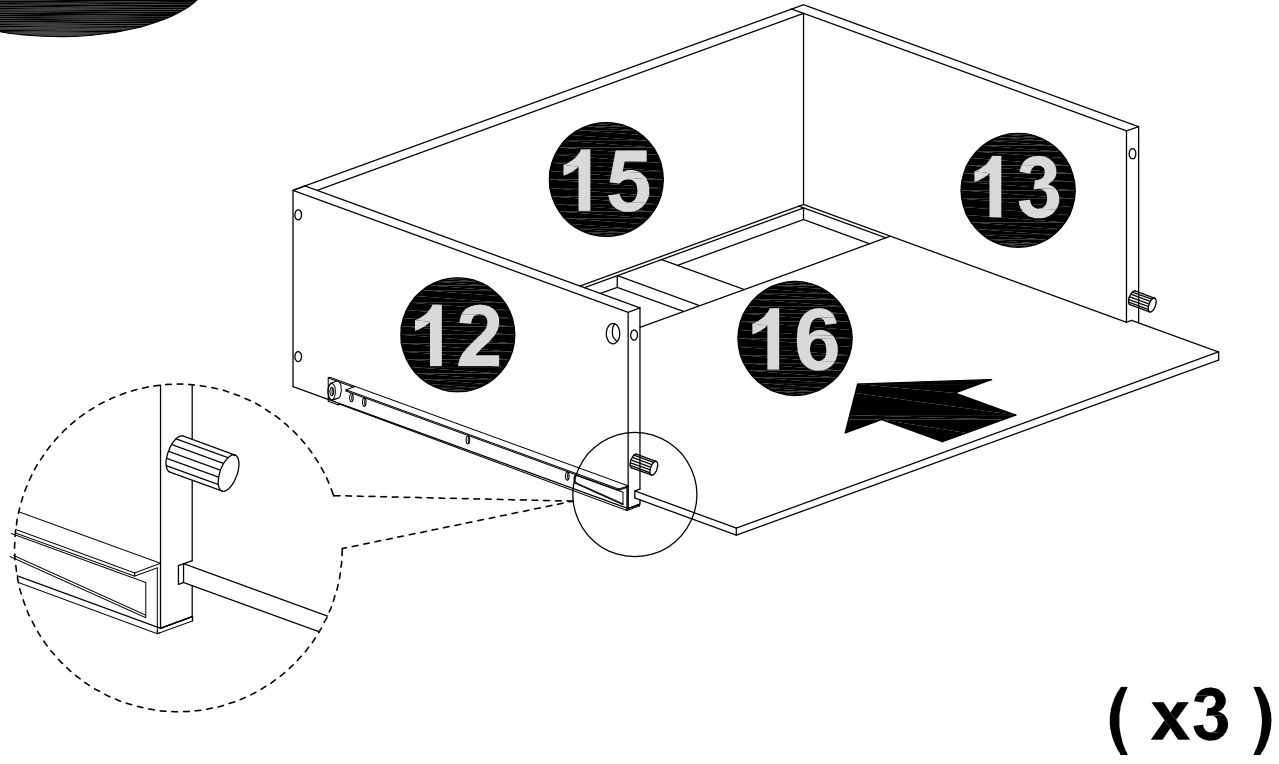


STEP 23

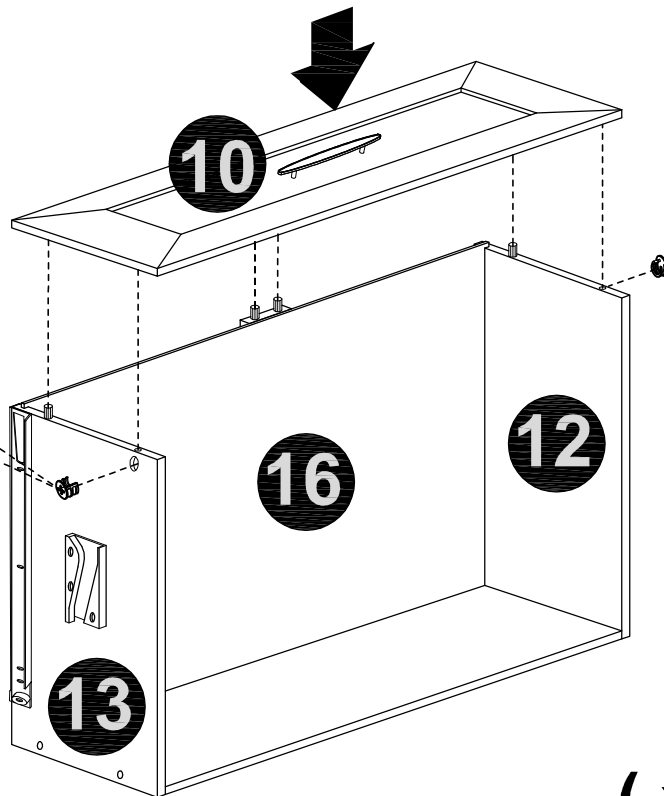
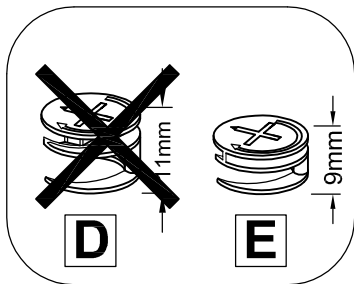
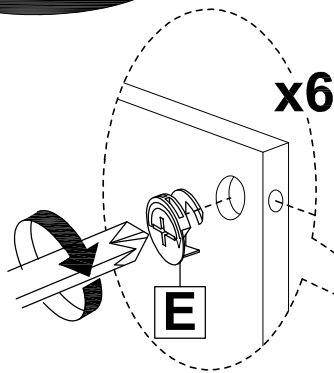
x18



STEP 24

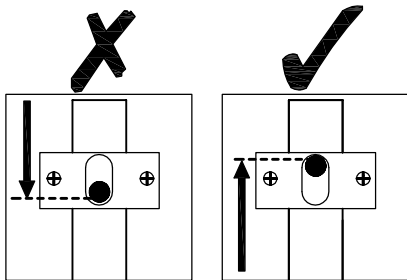
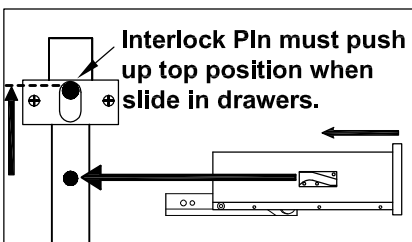


STEP 25

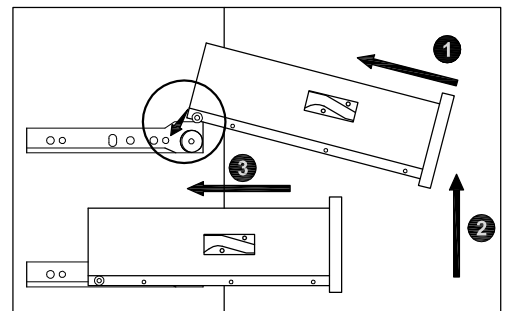
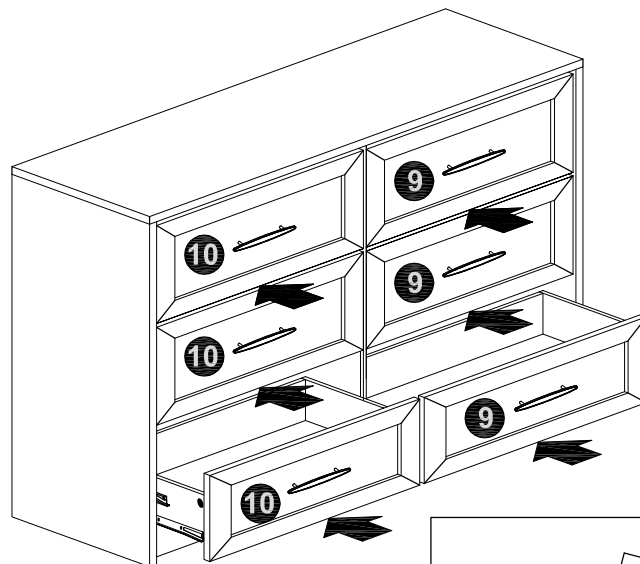


(x3)

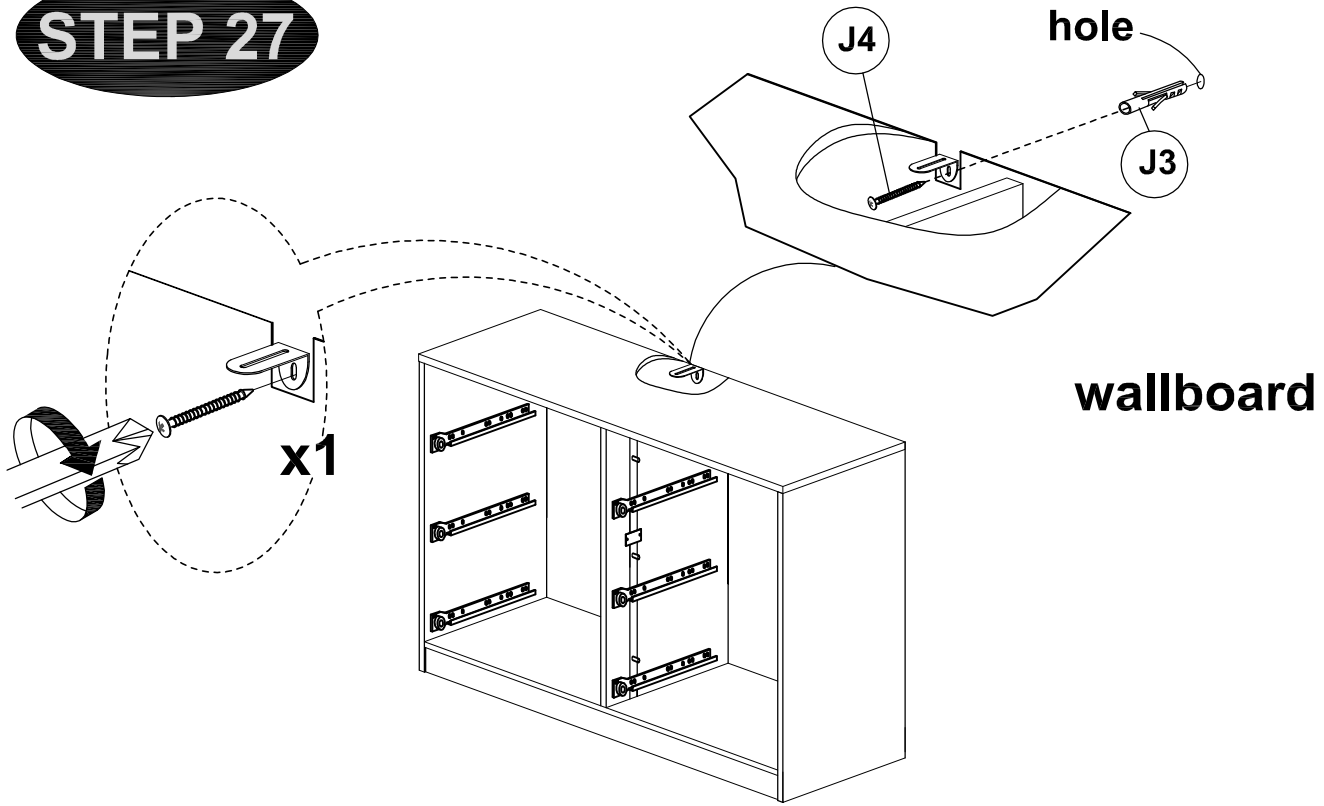
STEP 26



Interlock Pin must push up top position when slide in drawers.



STEP 27



STEP 28

