

ASSEMBLY INSTRUCTIONS

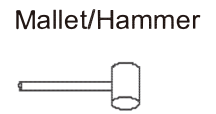
Nook Corner Item# 40095

ASSEMBLY
REQUIREMENTS

3.5 Hours
Assembly Time
(Approximate)

2-Person
Assembly

Tools Required (Not Provided)



Thank you for purchasing our product!

Please refer and use this assembly instruction to assemble the product.
Contact our customer service department in case there are any missing or damage parts or hardware.
Replacement parts are normally shipped within 2 or 3 days.

We appreciate your business!

Email: replacementparts@buylateral.com
Within 30 days from delivery date

PRODUCTS PURCHASED THROUGH OUR AUTHORIZED VENDORS ONLY ARE ELIGIBLE FOR REPLACEMENT PARTS.

THIS PRODUCT IS FOR INDOOR AND HOUSEHOLD USE ONLY - NOT FOR COMMERCIAL USE.

ASSEMBLY PREPARATION

1. Remove all packaging materials, staples and packing straps from the carton.
2. Refer to Parts List and Hardware List and ensure they are complete before you start assembling.
3. Place all wooden parts on a clean, flat and soft surface (e.g. carpet or rug) to prevent parts from getting scratched.

SAFETY PRECAUTION

1. KEEP ALL HARDWARE PARTS OUT OF REACH OF CHILDREN.
2. DISPOSE PLASTIC PACKAGING MATERIAL IMMEDIATELY TO AVOID ANY RISK OF SUFFOCATION TO CHILDREN AND ANIMALS.

TIPS FOR ASSEMBLY

1. Allow ample room for assembly and in close proximity to where product will be placed.
2. Assemble the product on a surface that does not scratch or damage the exterior gloss and finish of the furniture.
3. Please check all of the parts and quantities are included before assembly. Contact customer service for missing parts.
4. Identify all of the parts, hardware and quantities required for each step.
5. During assembly, do not over-tighten any fittings as this may cause damage.
6. DO NOT USE POWER TOOLS TO ASSEMBLE THIS PRODUCT.
7. Always place the product on a flat stable surface.
8. Do not sit or stand on the partially assembled product; only use the product for which it is intended.
9. This product is made of reinforced hollow board. Excessive pressure can cause irreparable damage. Avoid standing or kneeling on any parts of the product during assembly.

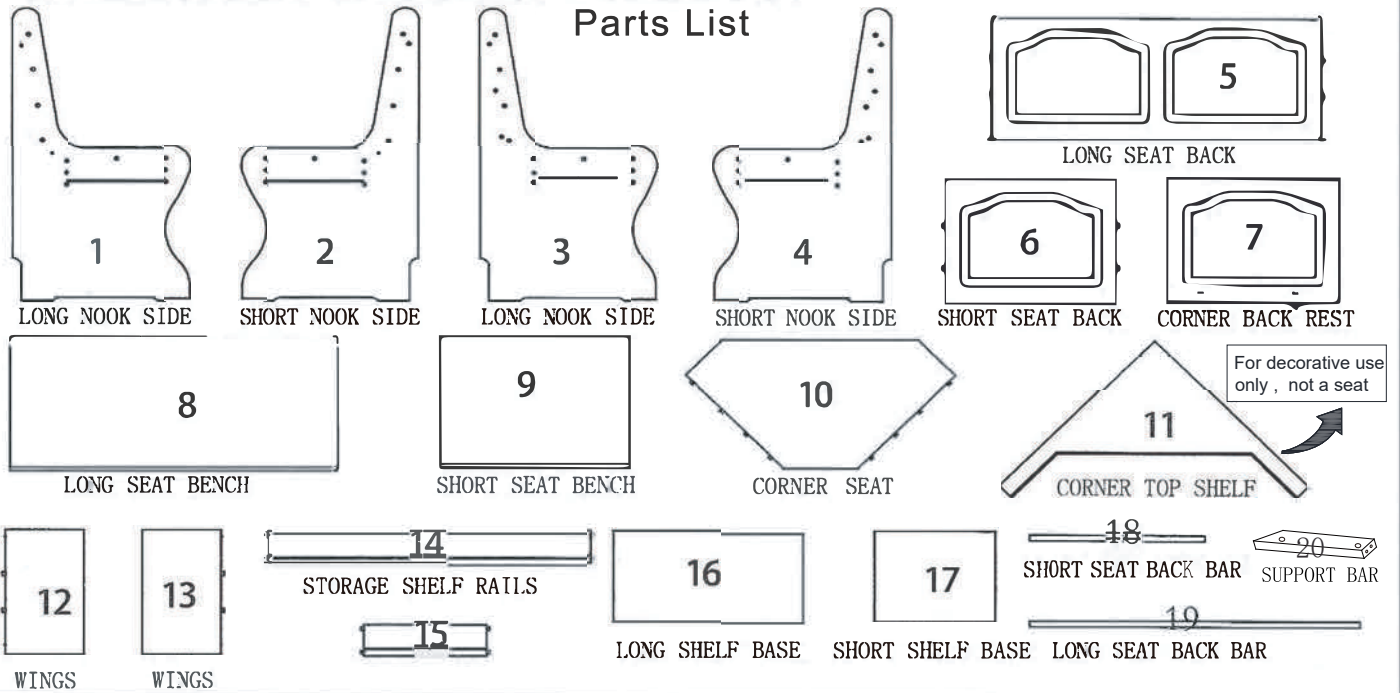
CARE AND MAINTENANCE

- Wipe clean with a soft, dry cloth; avoid the use of harsh chemicals or household cleaners as they may damage the exterior finish of the furniture.
- Hardware may loosen over time. Periodically, check that all connections are tight; re-tighten as necessary.
- Solid wood is impacted by heat and humidity fluctuations which may cause small joint separations or hairline cracks; place the furniture away from direct sunlight and air conditioning vents, heating vents or units to protect the furniture.

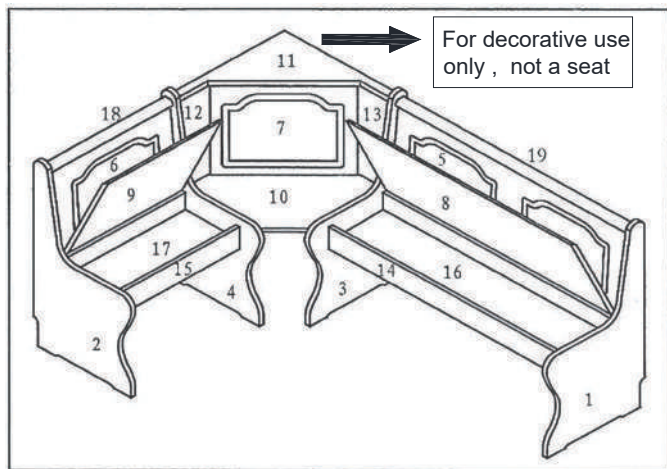
ASSEMBLY INSTRUCTIONS

Nook Corner Item# 40095

Parts List



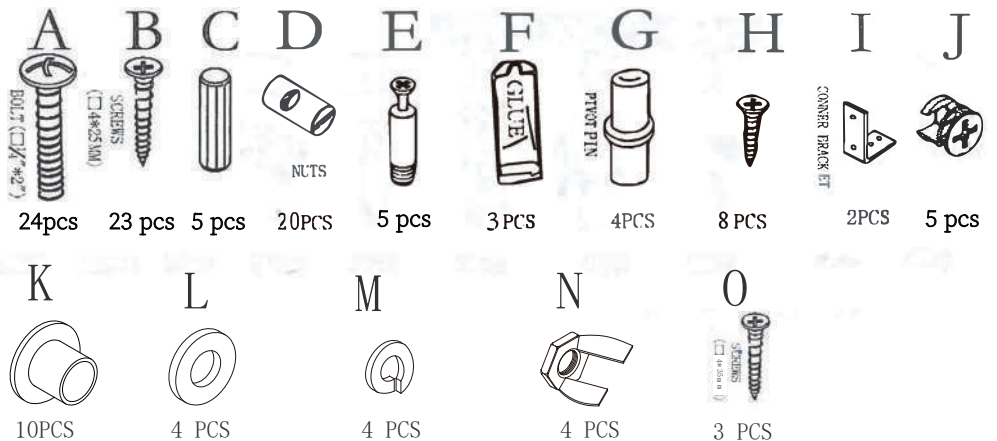
Parts Assembly Overview



Hardware List

PART # DESCRIPTION

- (A) Bolt (1/4" x 2")
- (B) Screw (4 x 25)
- (C) Wood Dowel
- (D) Barrel Nut
- (E) Cam-bolt
- (F) Glue
- (G) Pivot Pin
- (H) Screw
- (I) Corner Bracket
- (J) Cam-lock
- (K) Plastic Cover
- (L) Flat Washer
- (M) Spring Washer
- (N) Wing Nut
- (O) Screw



Instructions For Fastening CAM-BOLT and CAM-LOCK



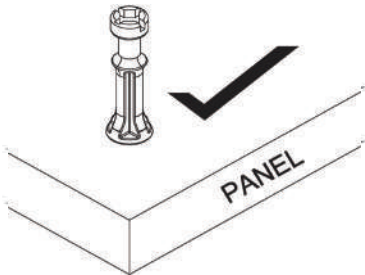
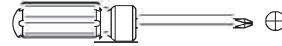
CAM-BOLT



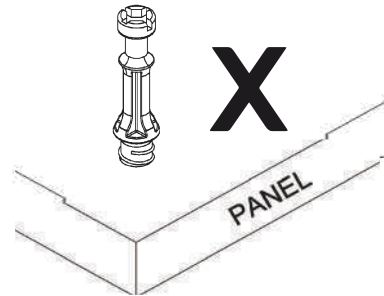
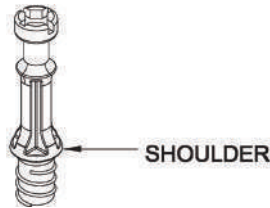
CAM-LOCK

INSERTING AND TIGHTENING CAM-BOLT

Insert Cam-bolt into the pre-drilled hole. Use a Phillips Screwdriver to tighten until shoulder is snug and flushed with the panel. See illustrations below.



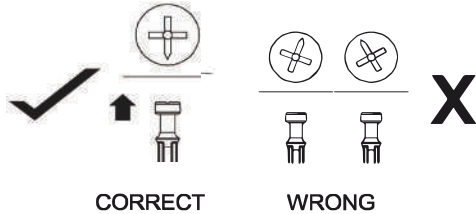
Shoulder is flushed (on the same level) with the panel.



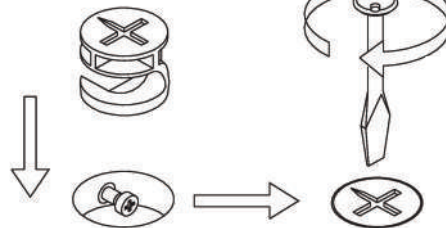
Shoulder is above the panel.

INSERTING CAM-LOCK

Align the arrow on the Cam-lock to the Cam-bolt head and insert the Cam-lock.



TIGHTENING CAM-LOCK

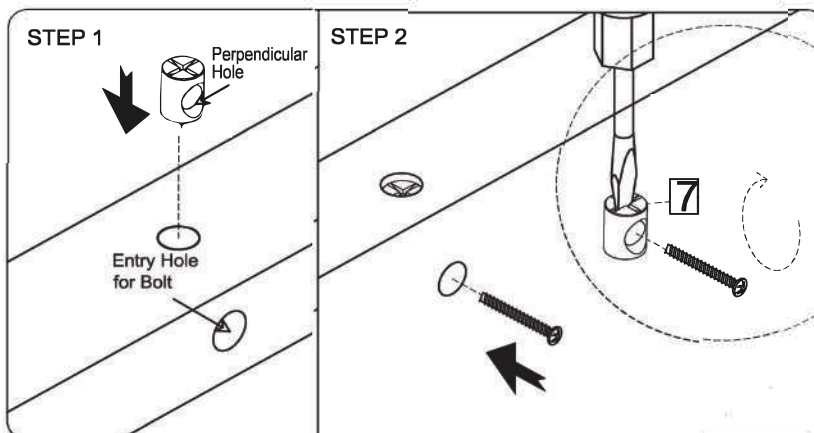


Cam-bolt head needs to be in center

Use a Flat-head Screwdriver to turn the Cam-lock clockwise to lock onto the head of the Cam-bolt. Turn until it is snug -- over-tightening could damage Cam-lock or/and Cam-bolt.

Instructions For Installing Barrel Nut

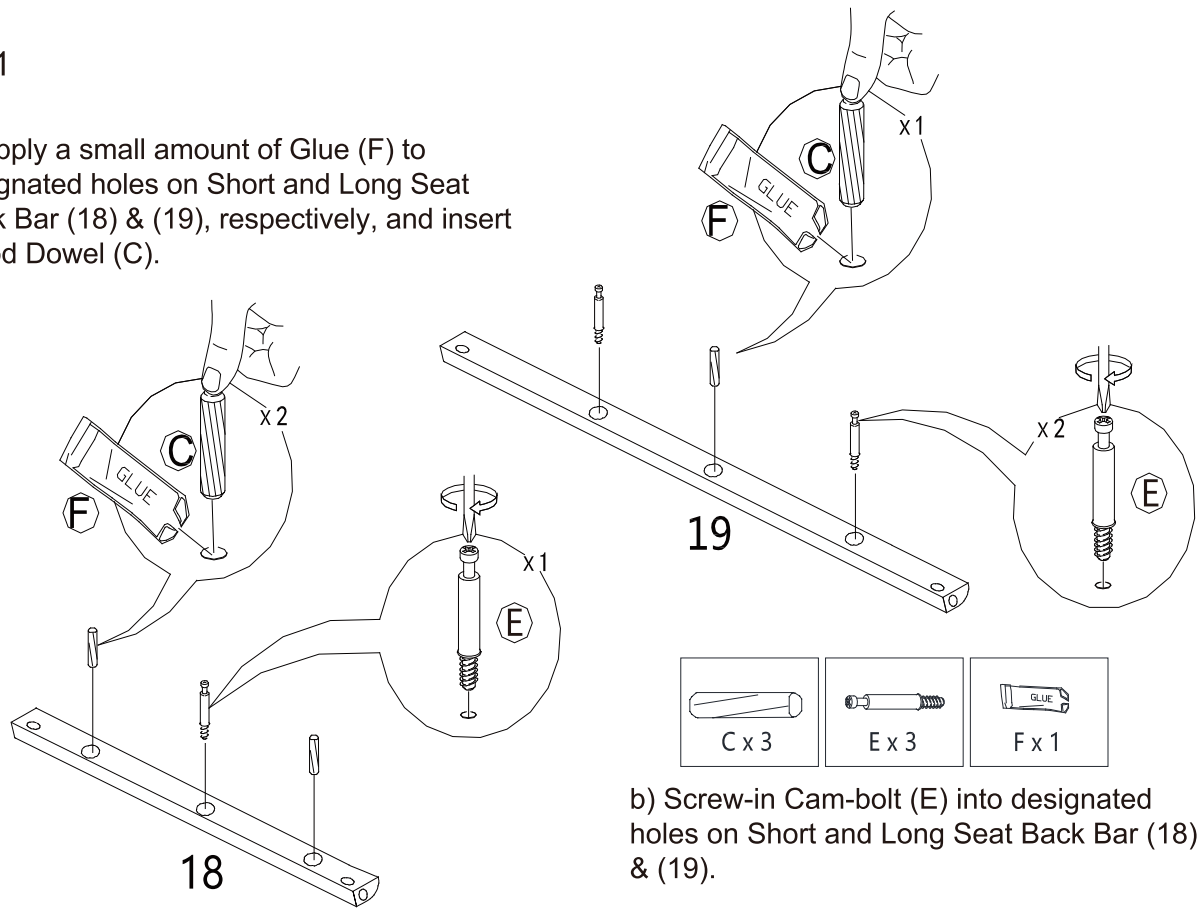
Insert Barrel Nut with the perpendicular hole facing and in-line with the drill hole that the bolt is to be inserted.



Use a Flat Screwdriver to hold Barrel Nut in position before inserting bolt to thread into the Barrel Nut.

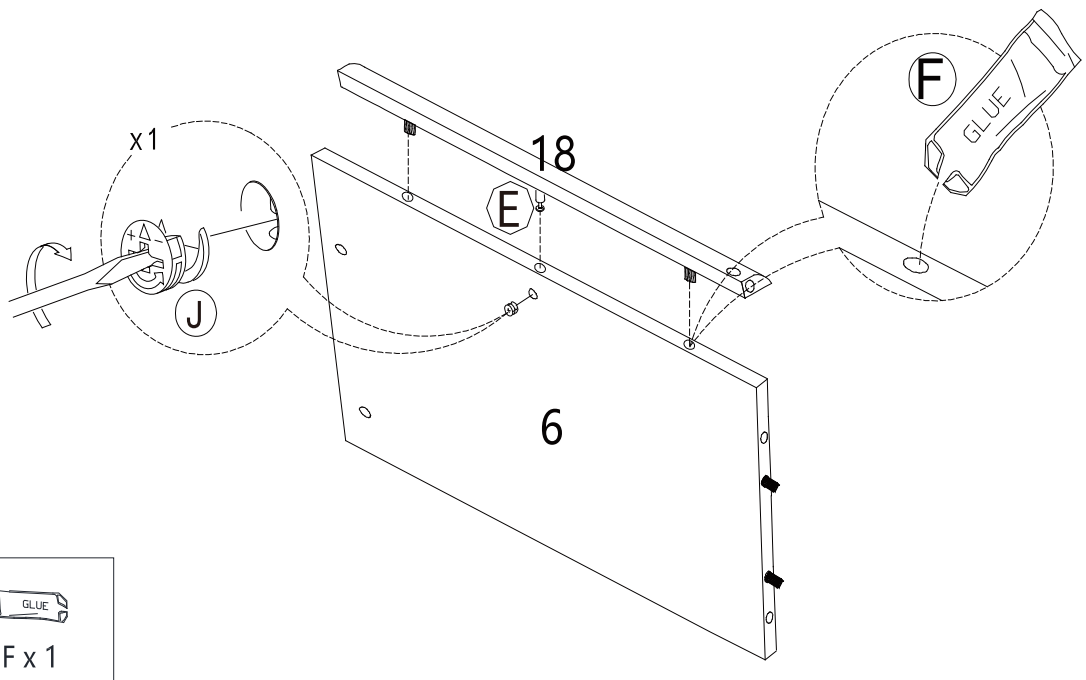
STEP 1

a) Apply a small amount of Glue (F) to designated holes on Short and Long Seat Back Bar (18) & (19), respectively, and insert Wood Dowel (C).



b) Screw-in Cam-bolt (E) into designated holes on Short and Long Seat Back Bar (18) & (19).

STEP 2

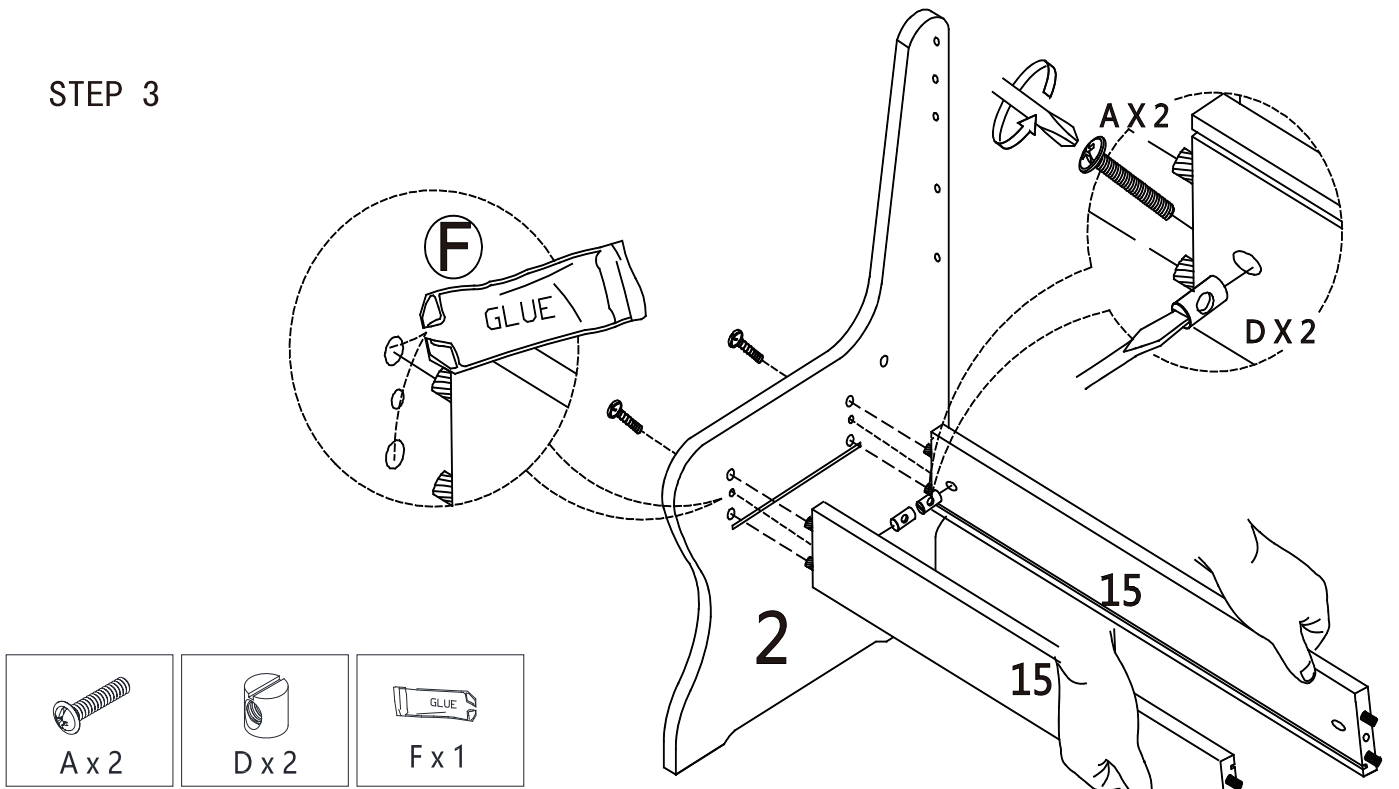


a) Apply a small amount of Glue (F) to left and right holes (for Wood Dowel) on top edge of Short Seat Back (6).

b) Align and insert Cam-bolt (E) and Wood Dowel (C) on Short Seat Back Bar (from Step 1) to respective holes on top edge of (6)

c) At the back-side of (6) insert Cam-lock (J) to the designated hole and turn cam-lock clockwise to lock onto cam-bolt.

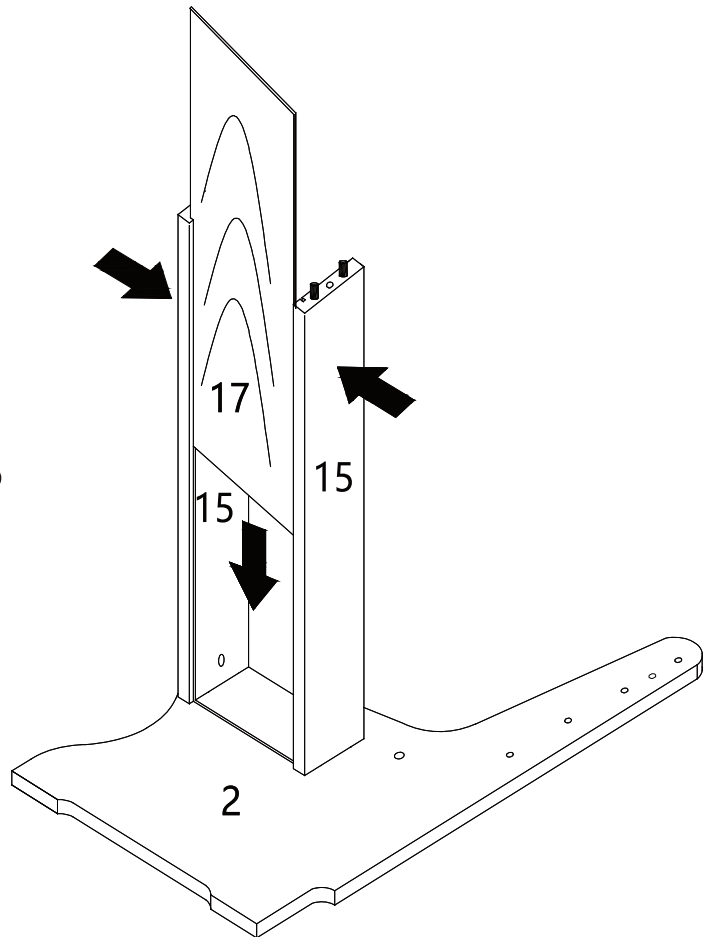
STEP 3



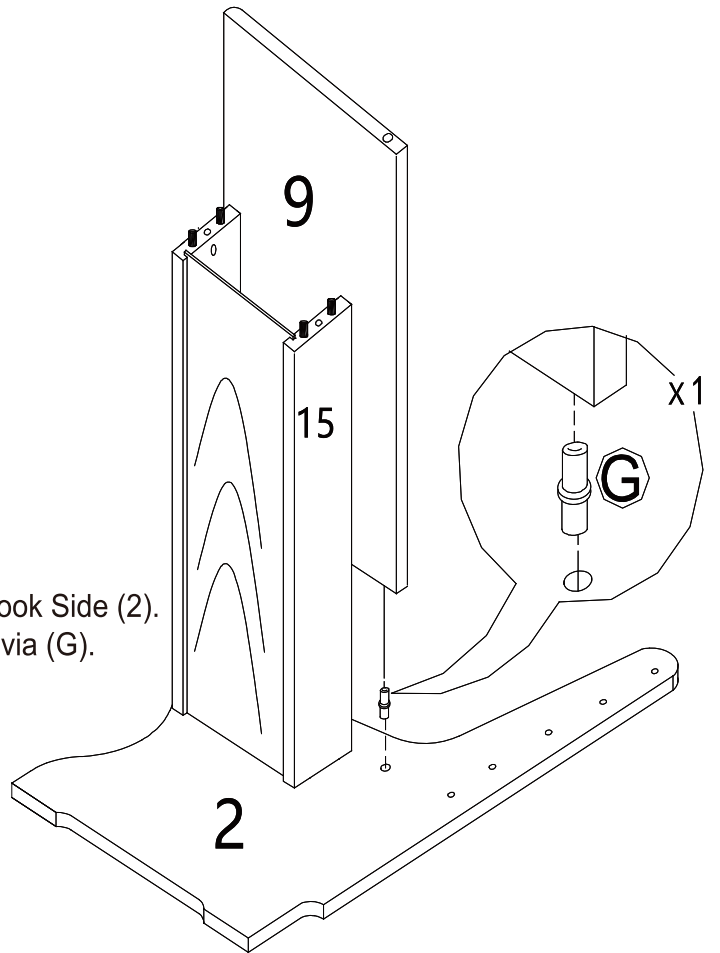
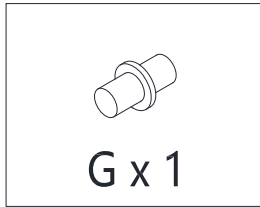
- Insert Barrel Nut (D) into designated holes on Storage Shelf Rail (15).
- Apply Glue (F) to holes for wood dowels on Short Nook Side (2) and attach (15) via wood dowels.
- Insert Bolt (A) through (2) to screw onto Barrel Nut to fasten (15) to (2).

STEP 4

- Carefully position the unit in Step 3 vertically to lay on the side of Short Nook Side (2).
- Gently insert Short Shelf Base (17) to fit into the groove on Storage Shelf Rail (14) and Short Nook Side (2).

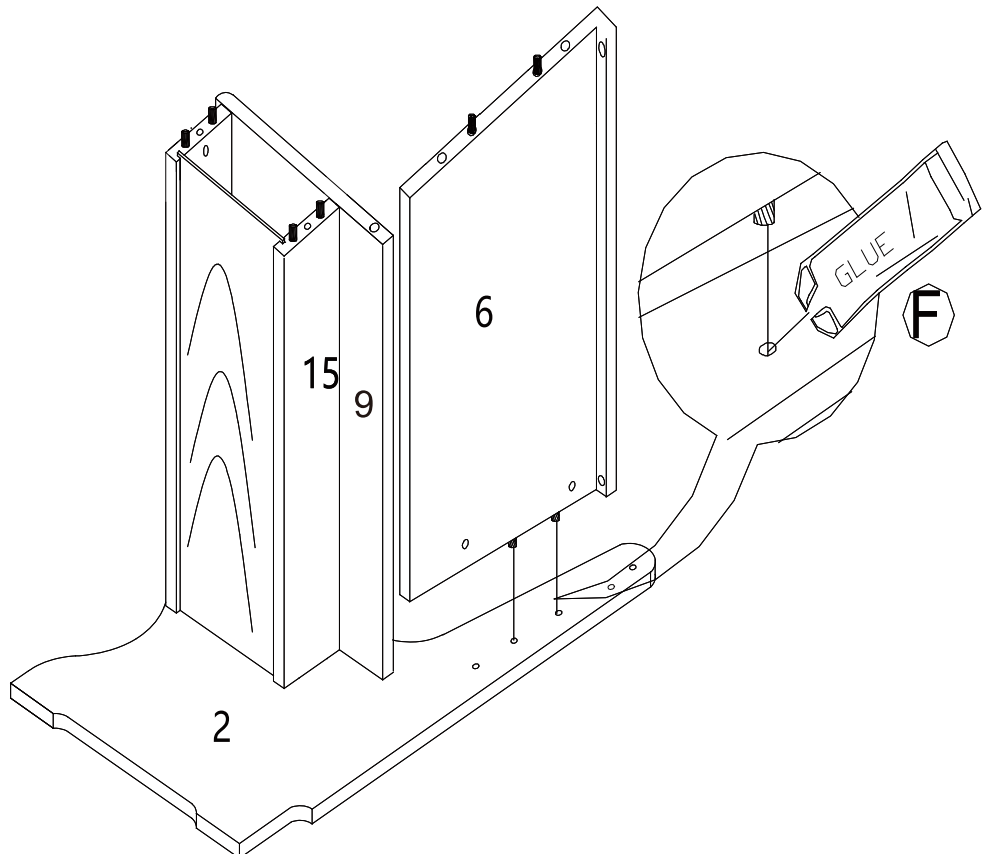
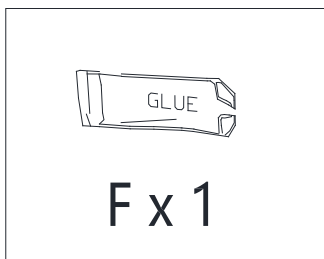


STEP 5



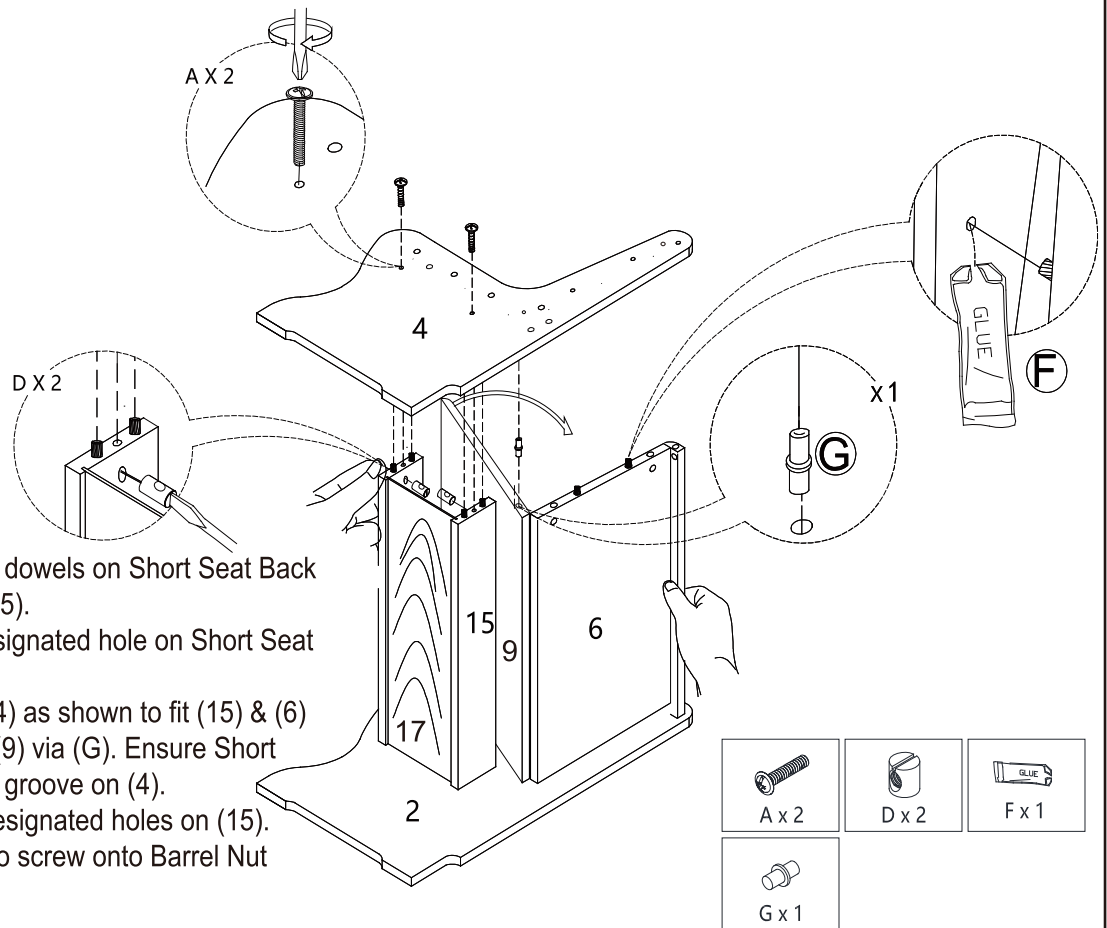
- a) Insert Pivot Pin (G) into designated hole on Short Nook Side (2).
- b) Attach Short Seat Bench (9) to Short Nook Side (2) via (G).
- c) Have a person to hold (9) and (15).

STEP 6



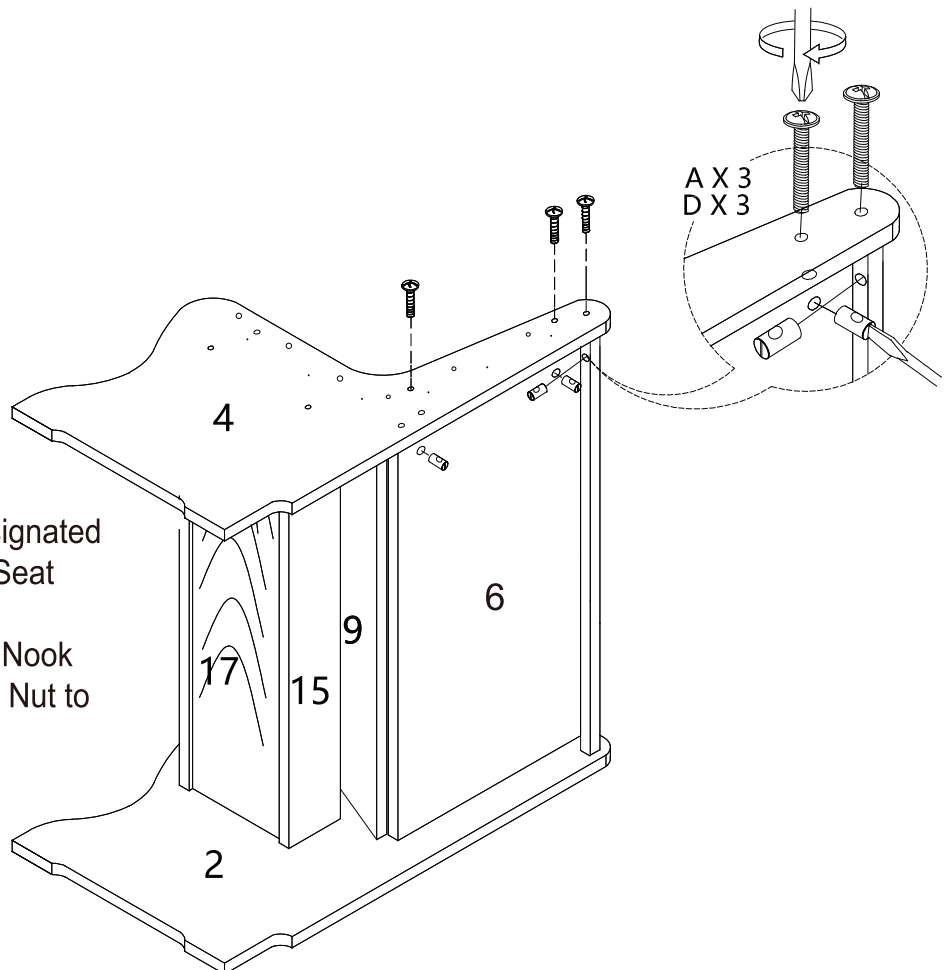
- a) Apply Glue (F) to the holes for wood dowels on Short Nook Side (2).
- b) Attach Short Seat Back (6) to Short Nook Side (2) via wood dowels on (6).
- c) Have a person to hold on to (6), (9) & (15).

STEP 7



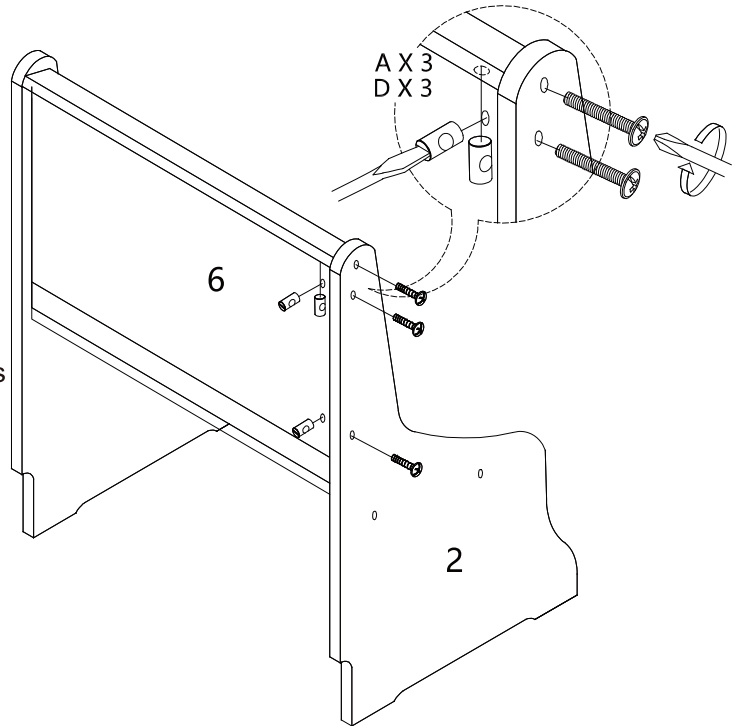
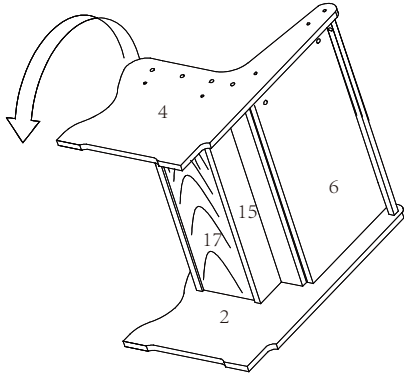
- Apply Glue (F) to the wood dowels on Short Seat Back (6) and on Storage Rails (15).
- Insert Pivot Pin (G) into designated hole on Short Seat Bench (9).
- Position Short Nook Side (4) as shown to fit (15) & (6) via wood dowels and to fit (9) via (G). Ensure Short Shelf base (17) fits into the groove on (4).
- Insert Barrel Nut (D) into designated holes on (15).
- Insert Bolt (A) through (4) to screw onto Barrel Nut to fasten (4) to (15).

STEP 8



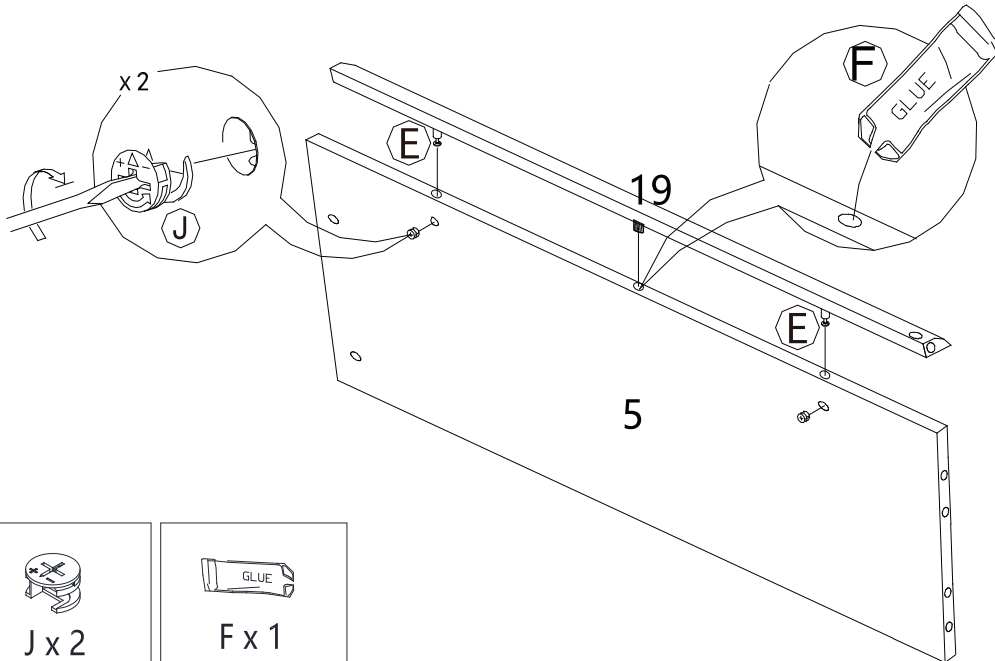
- Insert Barrel Nut (D) into designated holes on back-side of Short Seat Back (6).
- Insert Bolt (A) through Short Nook Side (4) to screw onto Barrel Nut to fasten (4) to (6).

STEP 9



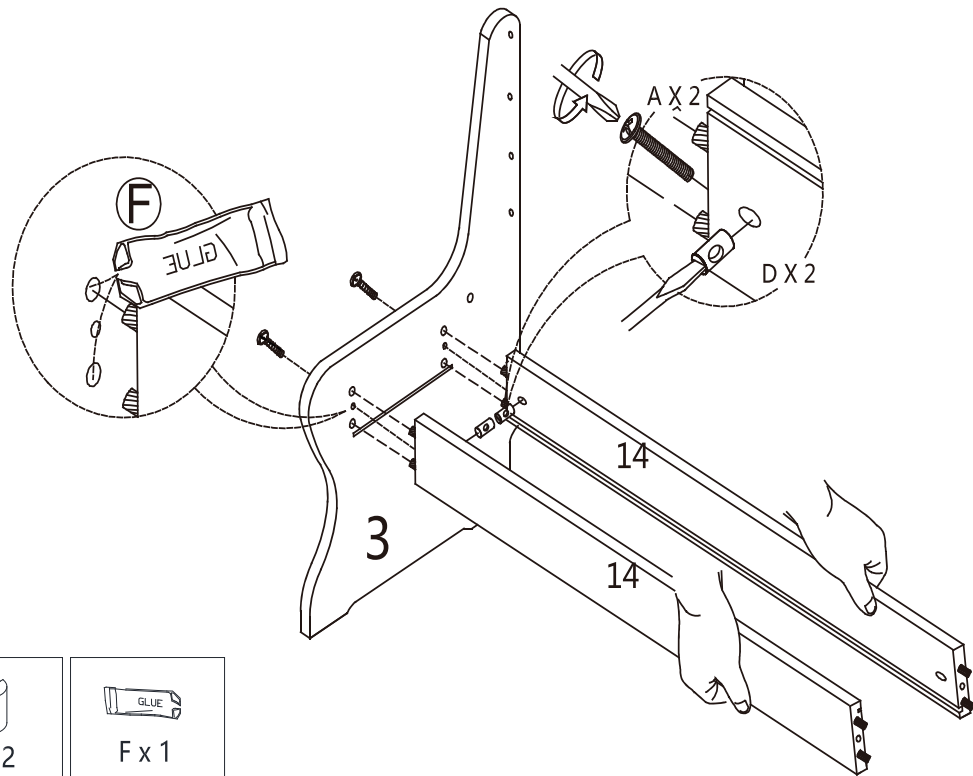
- Place the Short Nook section from Step 16 up-right as shown.
- Insert Barrel Nut (D) into designated holes on back-side Short Seat Back (6).
- Insert Bolt (A) through Short Nook Side (2) to screw onto Barrel Nut to fasten (2) to (6).
- Check and tighten all of the Bolts (A) on the Short Nook section. Do not over-tighten.

STEP 10



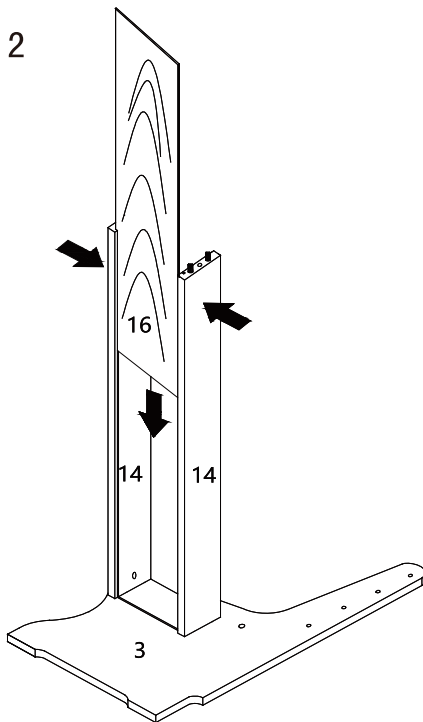
- Apply a small amount of Glue (F) to middle hole (for Wood Dowel) on top edge of Long Seat Back (5).
- Align and insert Cam-bolts (E) and Wood Dowel (C) on Long Seat Back Bar (from Step 1) to respective holes on top edge of (5).
- At the back-side of (5) insert Cam-lock (J) to the designated holes and turn cam-lock clockwise to lock onto cam-bolt.

STEP 11



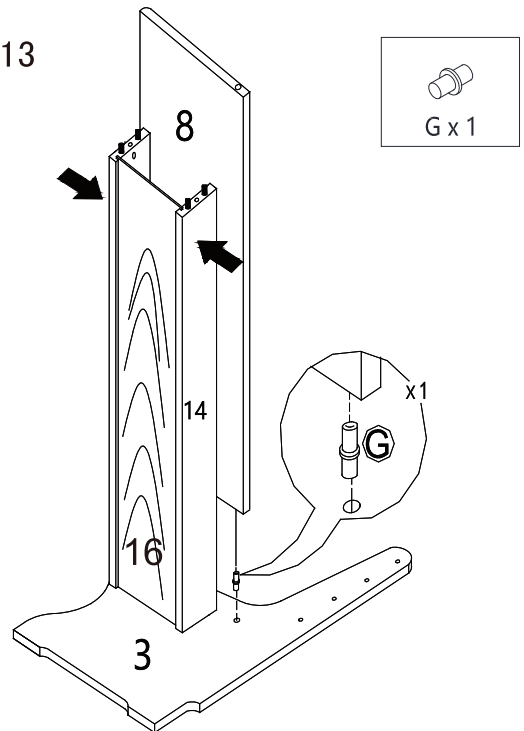
- Insert Barrel Nut (D) into designated holes on (14).
- Apply Glue (F) to holes for wood dowels on Long Nook Side (3) and attach (14) via wood dowels.
- Insert Bolt (A) through (3) to screw onto Barrel Nut to fasten (14) to (3).

STEP 12



- Carefully position the unit in Step 11 vertically to rest on the side of Long Nook Side (3).
- Gently insert Long Shelf Base (16) to fit into the groove on Storage Shelf Rail (14) and Long Nook Side (3).

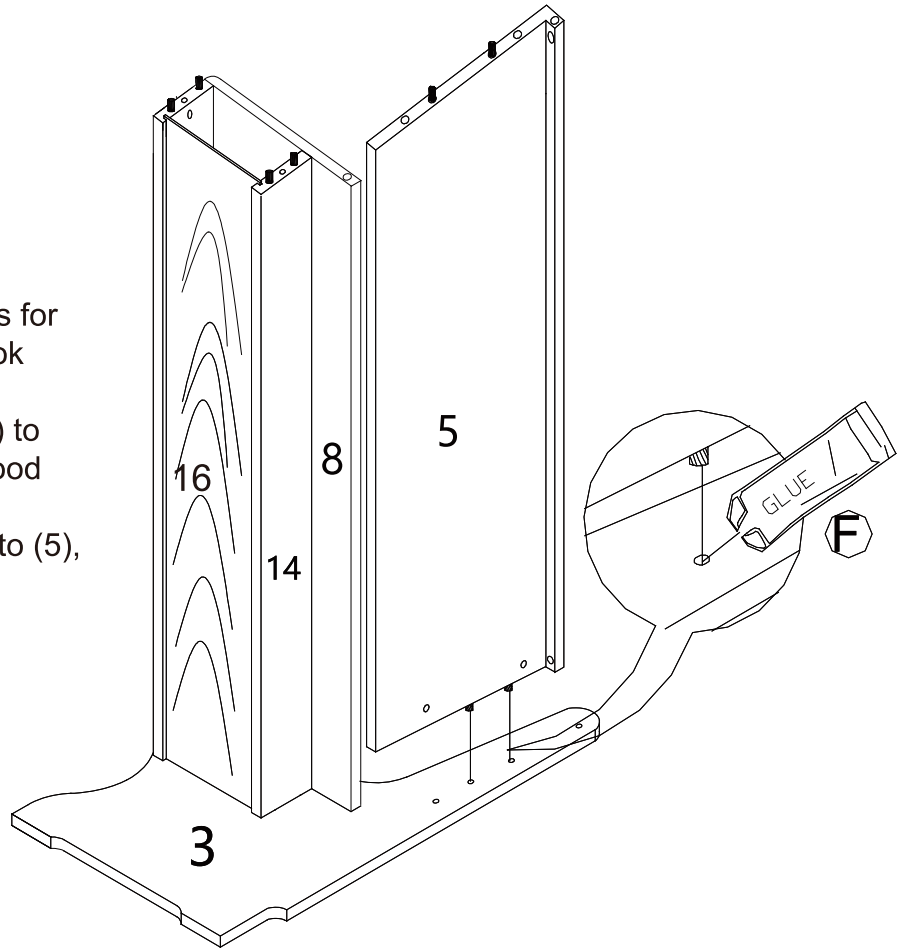
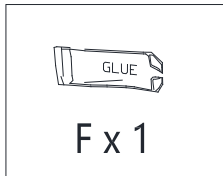
STEP 13



- Insert Pivot Pin (G) into designated hole on Long Nook Side (3).
- Attach Long Seat Bench (8) to Long Nook Side (3) via (G).
- Have a person to hold (8) and (14).

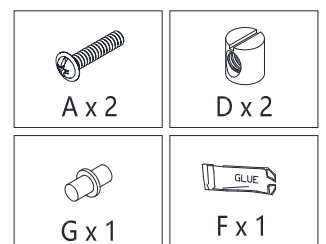
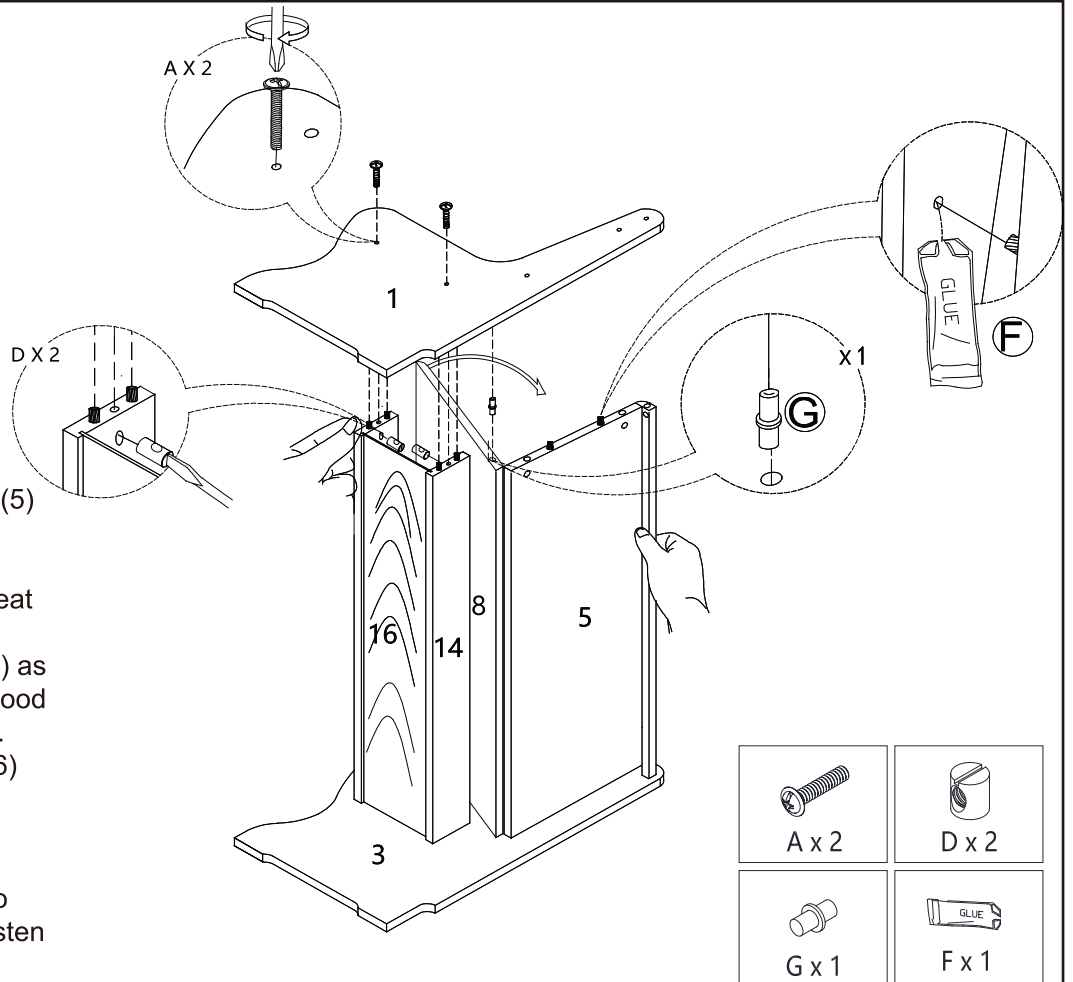
STEP 14

- Apply Glue (F) to the holes for wood dowels on Long Nook Side (3).
- Attach Long Seat Back (5) to Long Nook Side (3) via wood dowels on (5).
- Have a person to hold on to (5), (8) & (14).



STEP 15

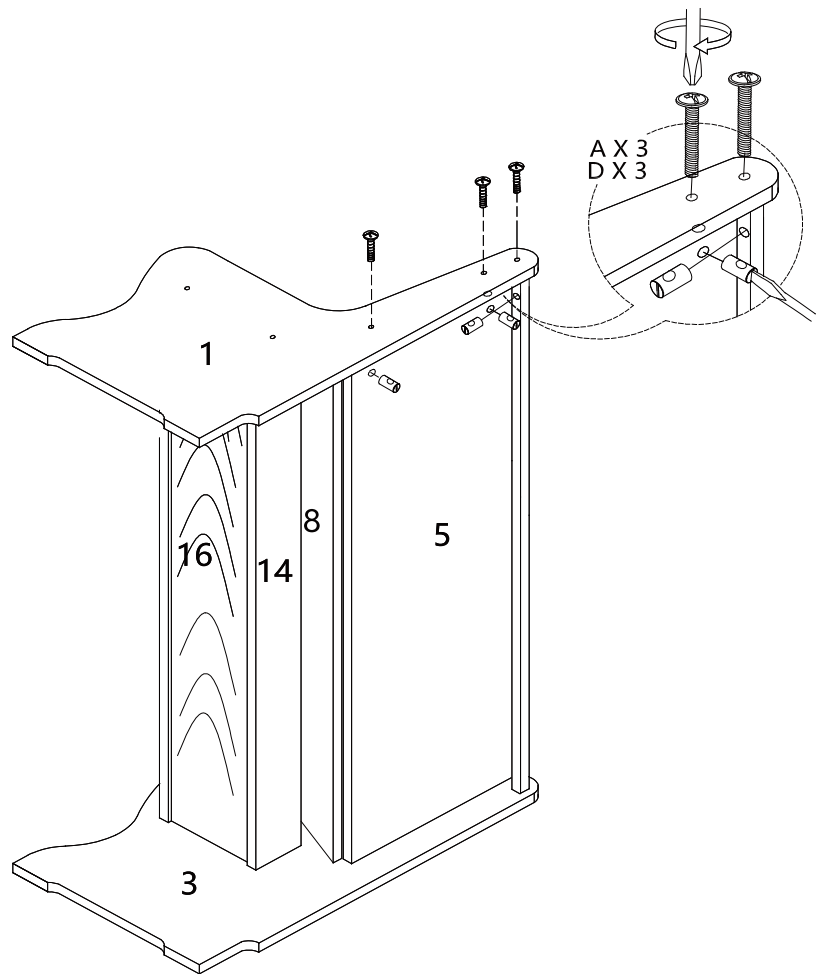
- Apply Glue (F) to the wood dowels on Long Seat Back (5) and on Storage Rails (14).
- Insert Pivot Pin (G) into designated hole on Long Seat Bench (8).
- Position Long Nook Side (1) as shown to fit (14) & (5) via wood dowels and to fit (8) via (G). Ensure Long Shelf base (16) fits into the groove on (1).
- Insert Barrel Nut (D) into designated holes on (14).
- Insert Bolt (A) through (1) to screw onto Barrel Nut to fasten (1) to (14).



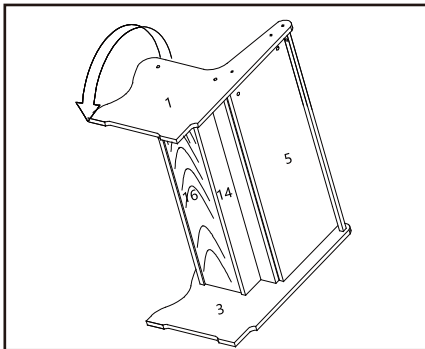
STEP 16



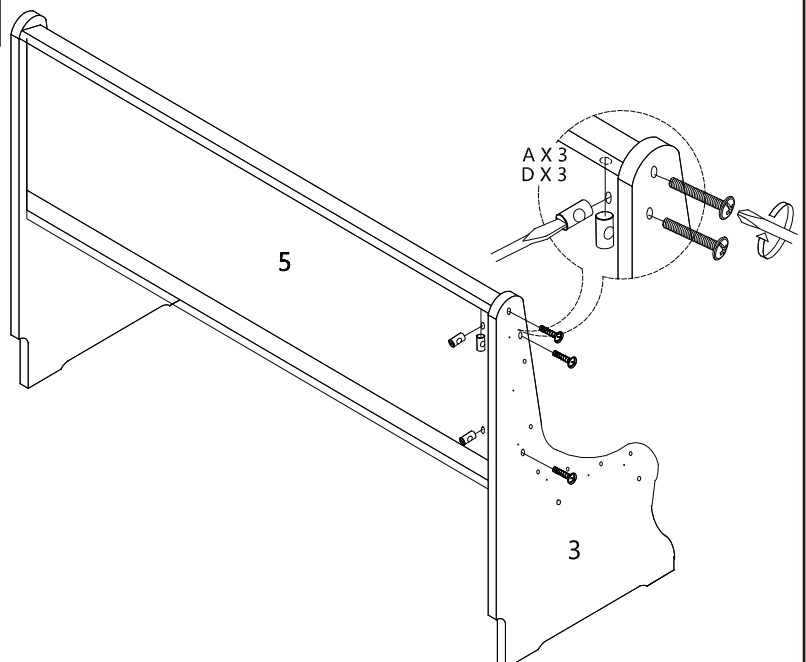
- Insert Barrel Nut (D) into designated holes on back-side of Long Seat Back (5).
- Insert Bolt (A) through Long Nook Side (1) to screw onto Barrel Nut to fasten (1) to (5).



STEP 17



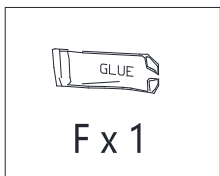
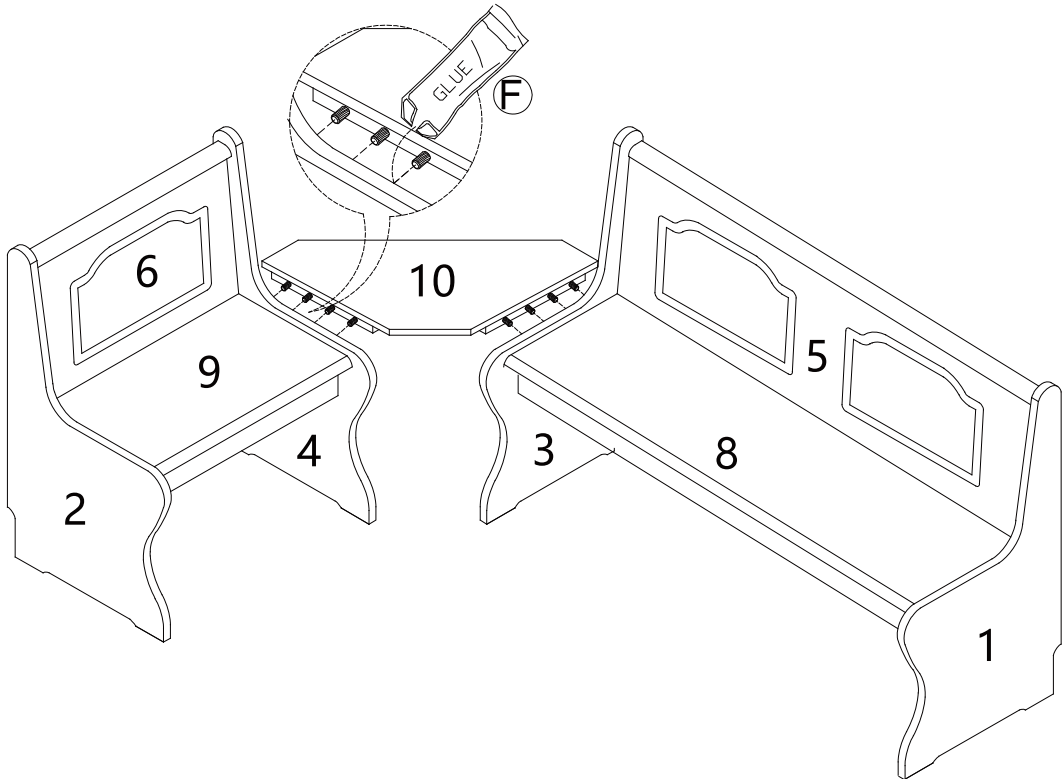
- Place the Long Nook section up-right as shown.
- Insert Barrel Nut (D) into designated holes on back-side Long Seat Back (5).
- Insert Bolt (A) through Long Nook Side (3) to screw onto Barrel Nut to fasten (3) to (5).
- Check and tighten all of the Bolts (A) on the Long Nook section. Do not over-tighten.



IMPORTANT NOTE TO STEP 18

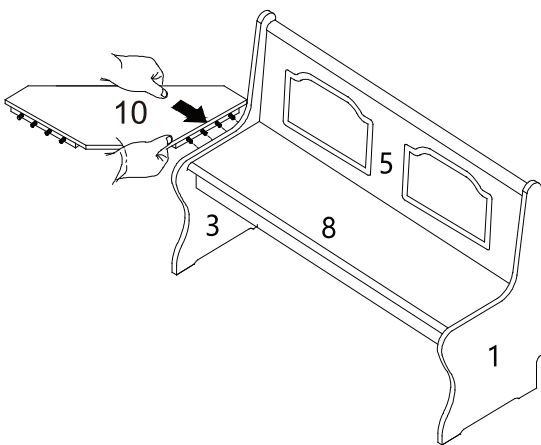
STEP 18

STEP 18 ASSEMBLES AND JOINS THE CORNER SEAT TO THE LONG SEAT AND THE SHORT SEAT TO FORM THE CORNER NOOK UNIT. IT IS IMPORTANT TO PERFORM ASSEMBLY STEP 18 AT THE LOCATION WHERE THE CORNER NOOK UNIT WILL BE PLACED TO MINIMIZE MOVING THE CORNER NOOK UNIT. MOVING OR SHIFTING THE CORNER NOOK UNIT EXCESSIVELY CAN CAUSE IRREPARABLE DAMAGE TO THE FURNITURE.



STEP 18A

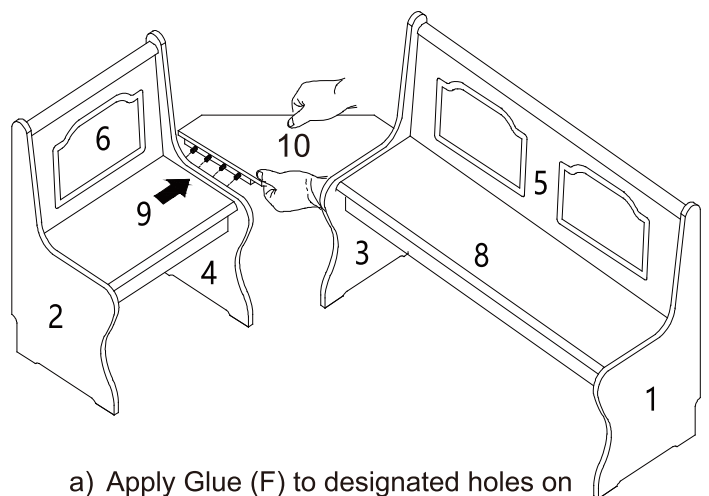
Attach Corner Seat (10) to Long Seat Section



- a) Apply Glue (F) to designated holes on Long Nook Side (3).
- b) Attach Corner Seat (10) to (3) via wood dowels on (10).
- c) Have a person to hold Corner Seat (10).

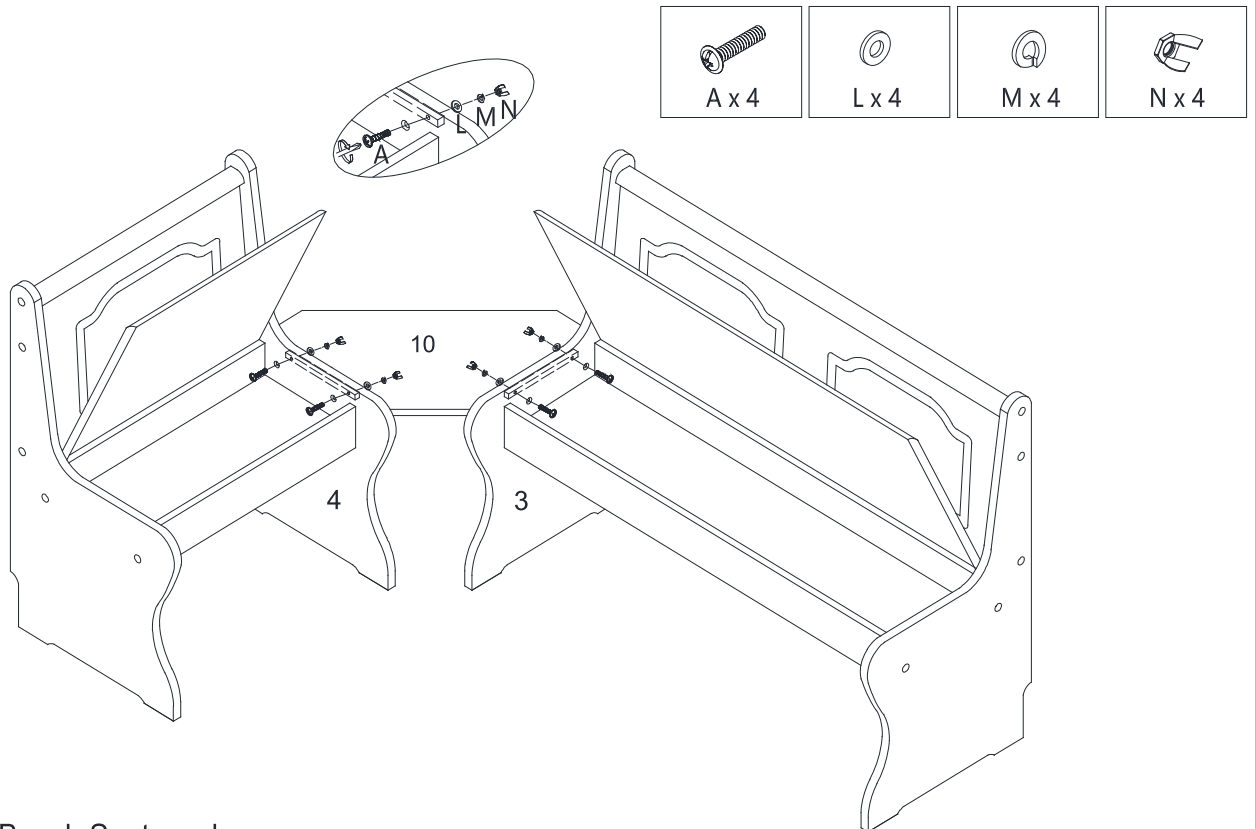
STEP 18B

Attach Short Seat Section to Corner Seat (10)



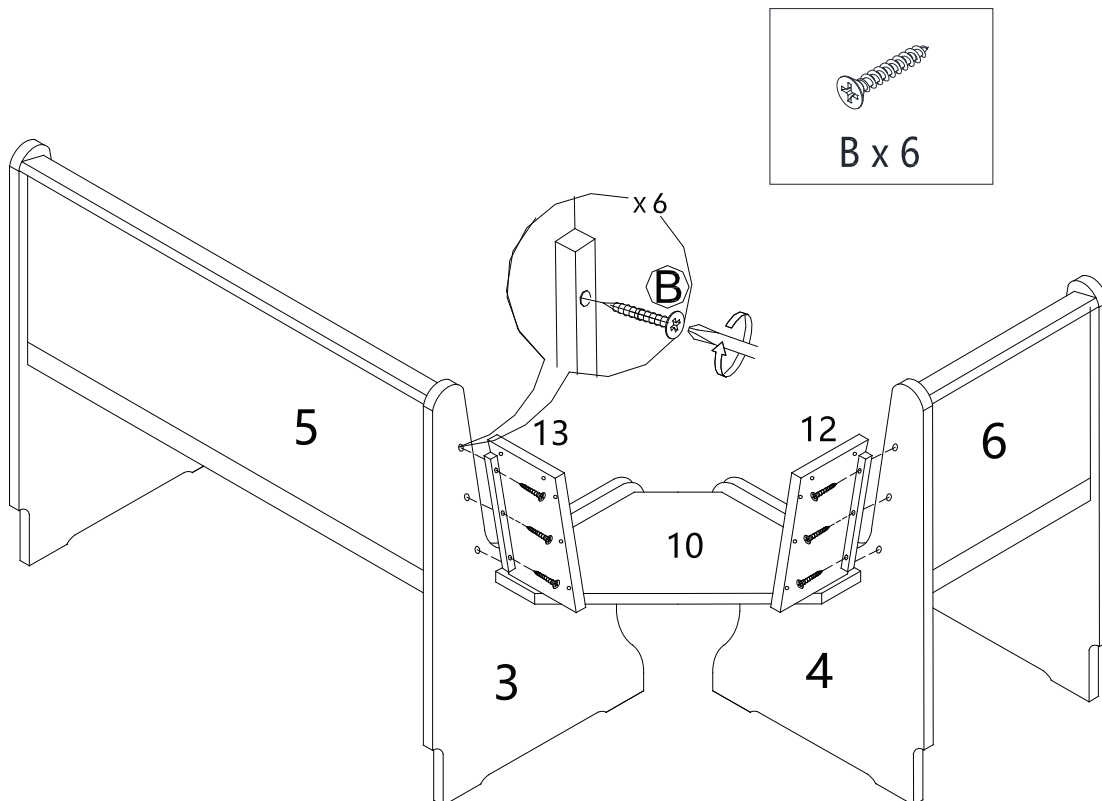
- a) Apply Glue (F) to designated holes on Short Nook Side (4).
- b) Align Short Seat section to allow wood dowels on Corner Seat (10) to fit into the holes on (4).
- c) Have a person to hold Corner Seat (10).

STEP 19



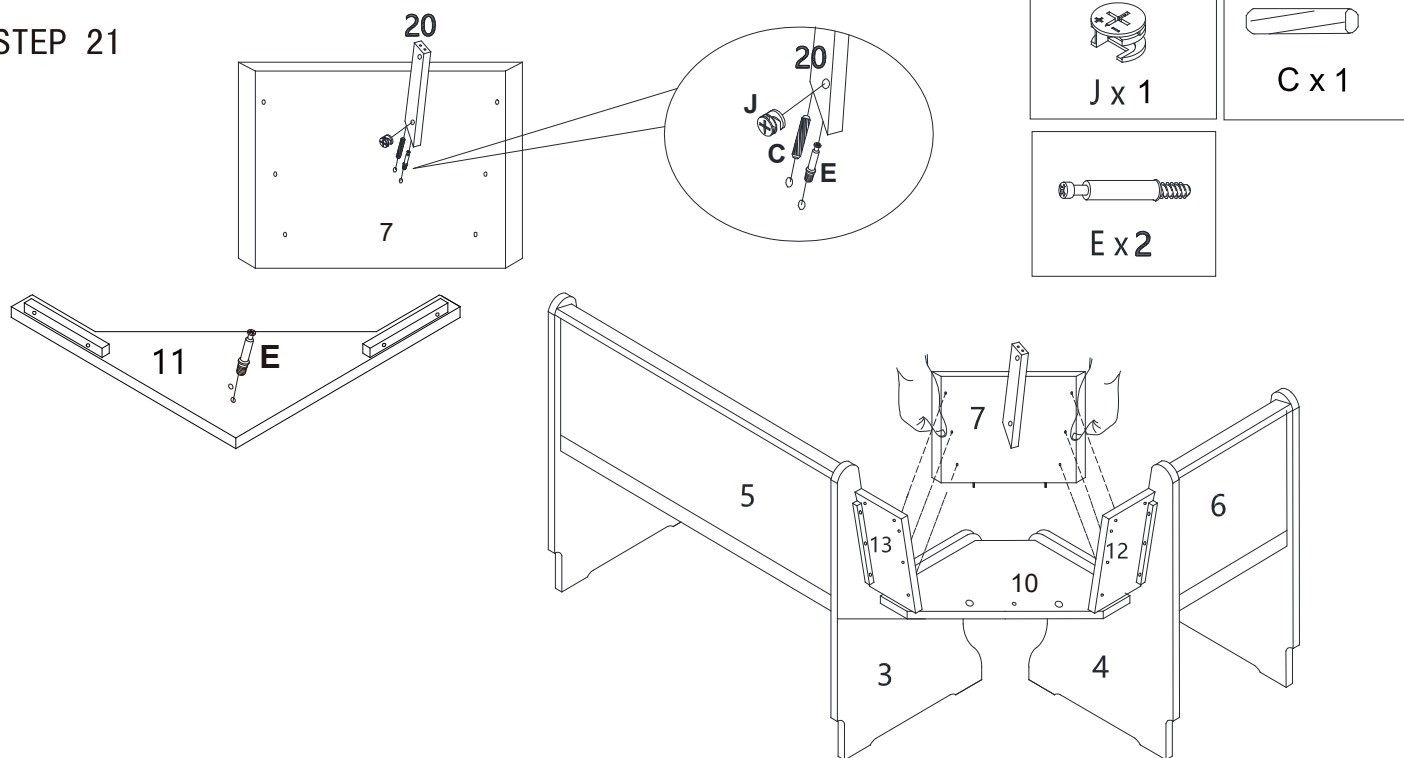
- Lift the Bench Seat as shown.
- Fasten Corner Seat (10) to Long Nook (3) and Short Nook Side (4) using Bolt (A) Flat Washer (L), Spring Washer (M) and Wing Nut (N).

STEP 20



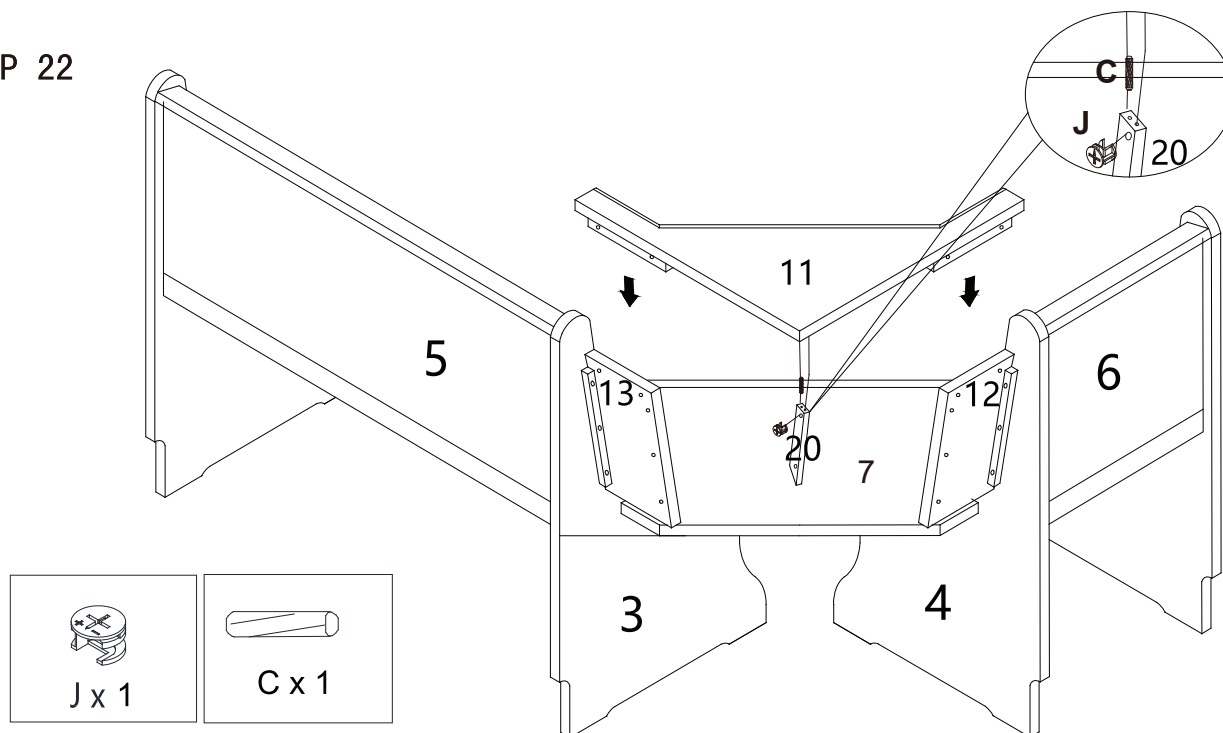
Fasten Wing (13) to Long Nook Side (3) and Wing (12) to Short Nook Side (4) by using Screw (B). Note the pilot holes on (3) and (4) for Screw (B).

STEP 21



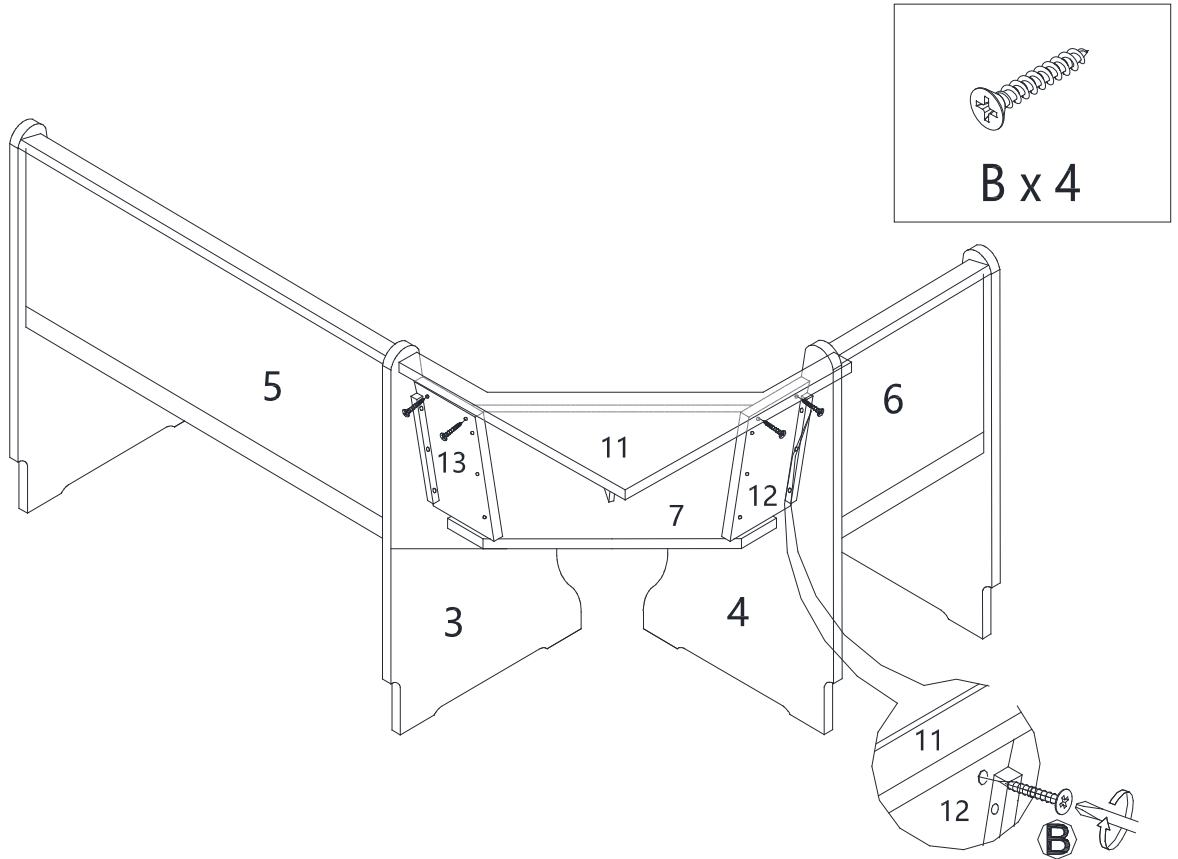
- Screw in Cam-bolt (E) into the designated hole on Corner Back Rest (7) and Corner Top Shelf (11).
- Insert Wood Dowel (C) to the designated hole beside (E) on (7) and attached Support Bar (20).
- Insert Cam-lock (J) into the designated hole on (20) and turn clockwise to lock onto Cam-bolt on (7).
- Fit Wood dowels on Corner Back Rest (7) into the holes on (10).

STEP 22



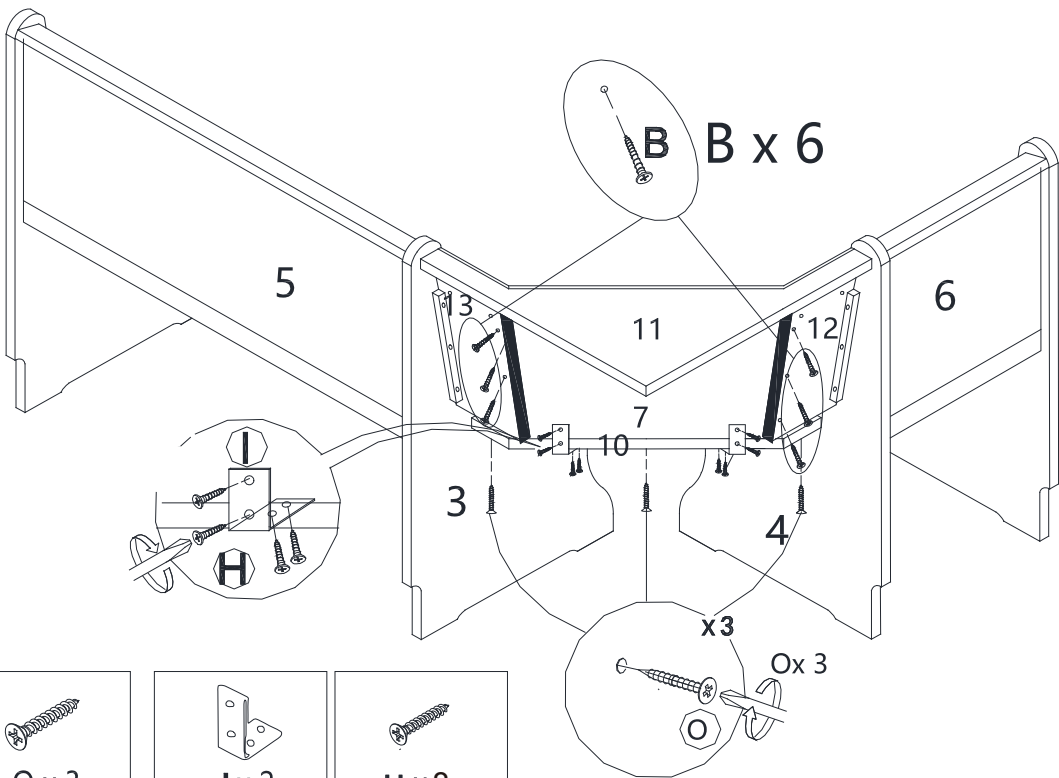
- Insert Wood Dowel (C) to the designated hole Support Bar (20).
- Attach Top Corner Shelf (11) to (20) via cam-bolt and wood dowel on the respective parts and align to Wings (12 & 13)
- Insert Cam-lock (J) into the designated hole on (20) and turn clockwise to lock onto cam-bolt on (11).

STEP 23



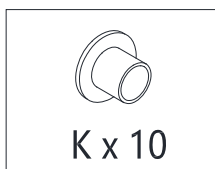
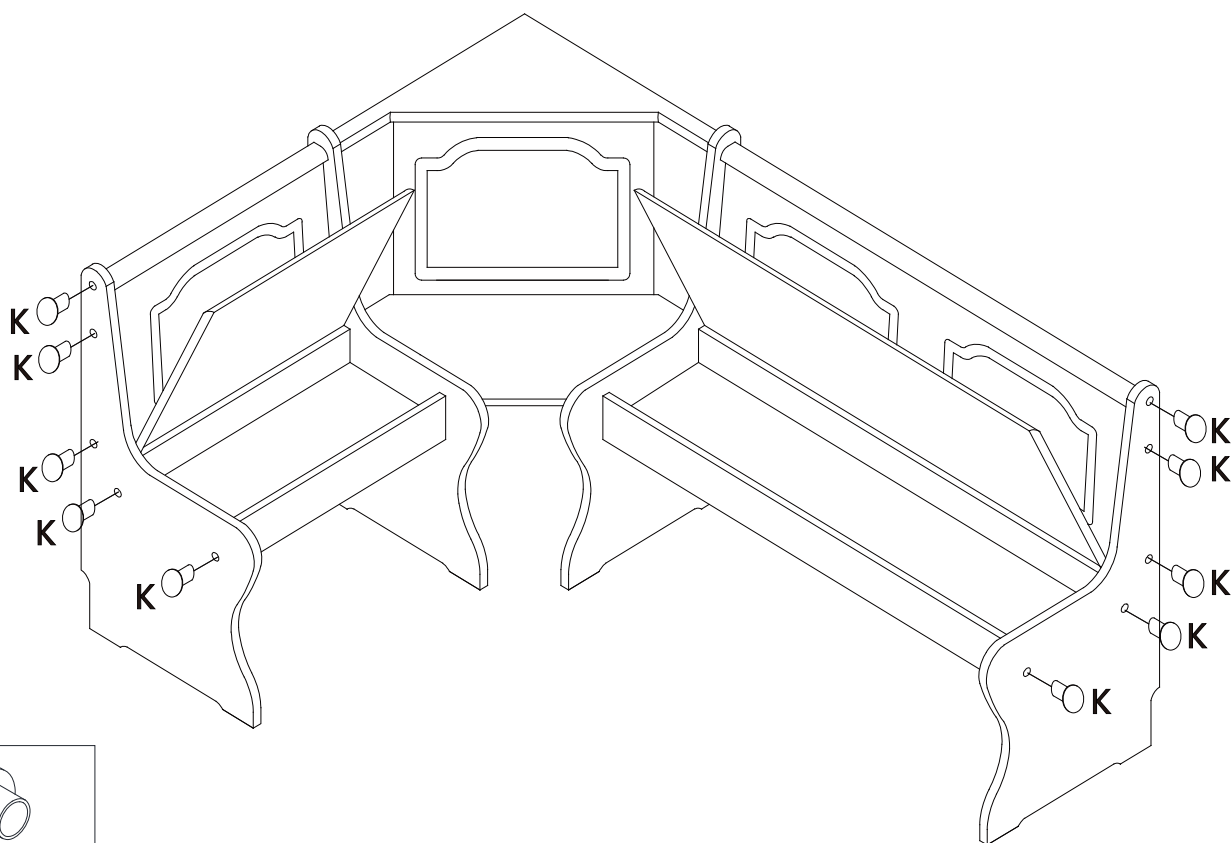
Use Screw (B) to fasten Top Corner Shelf (11) to Wings (12 & 13)

STEP 24



- Identify the pilot holes on Corner Back Rest (7) and underneath Corner Seat (10) for Bracket (I). Use Screw (H) to fasten (I) to (7) & (10).
- Use Screw (B) to fasten (10) to (12) & (13).

STEP 25



Cover the Screw hole with Plastic Cover (K).

The assembly of the Nook Corner is complete.