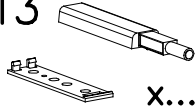
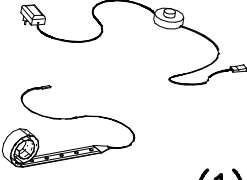
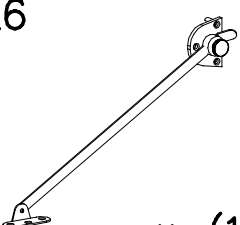
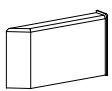
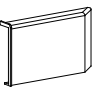

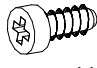

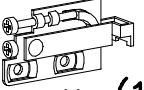
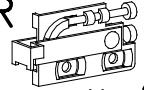
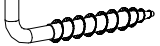


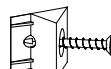
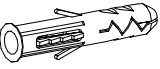
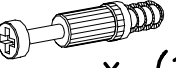

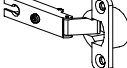

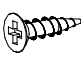
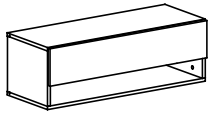
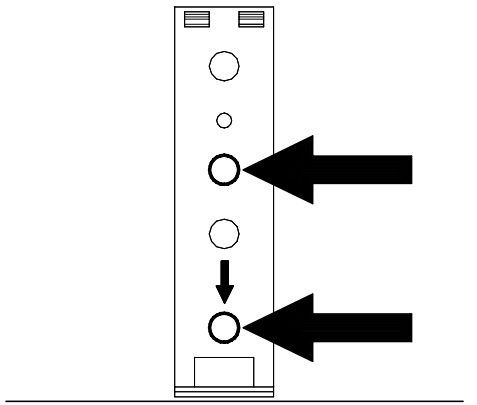
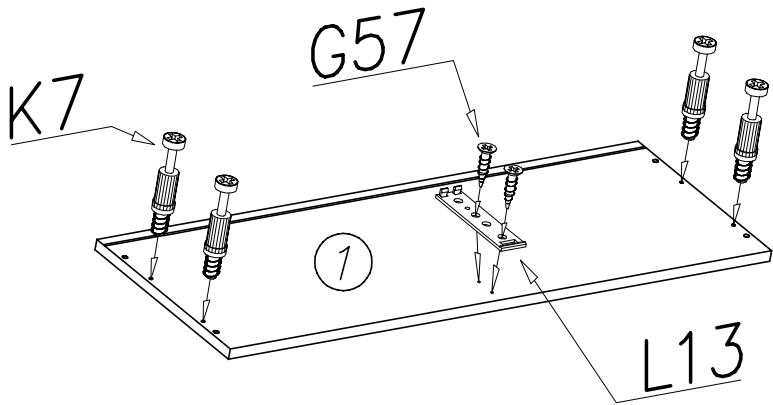


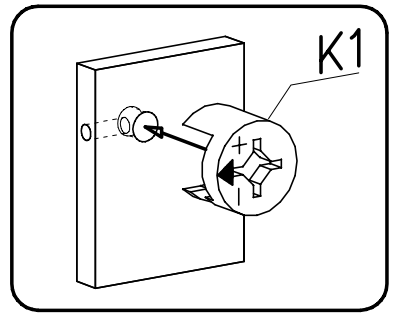
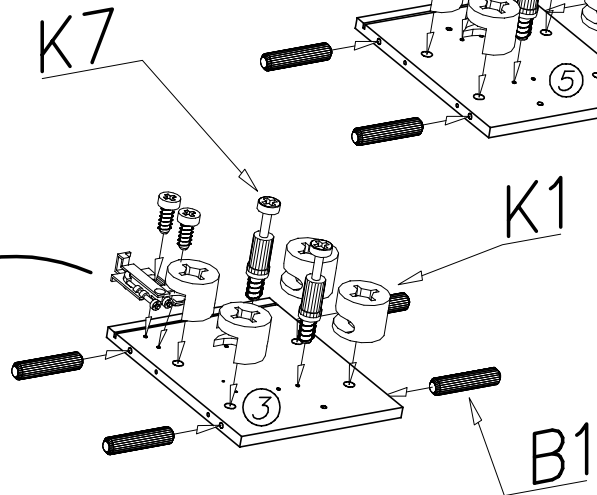
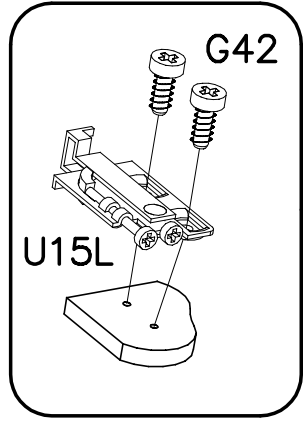
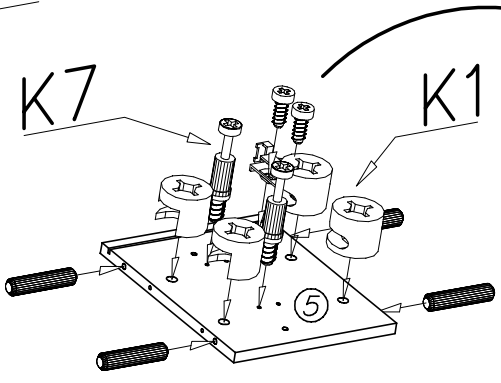
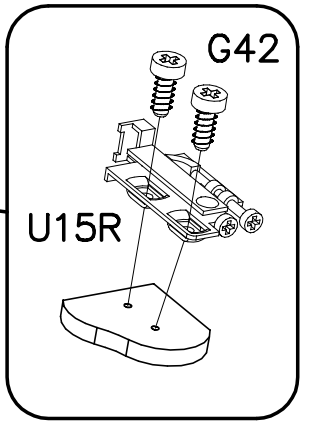
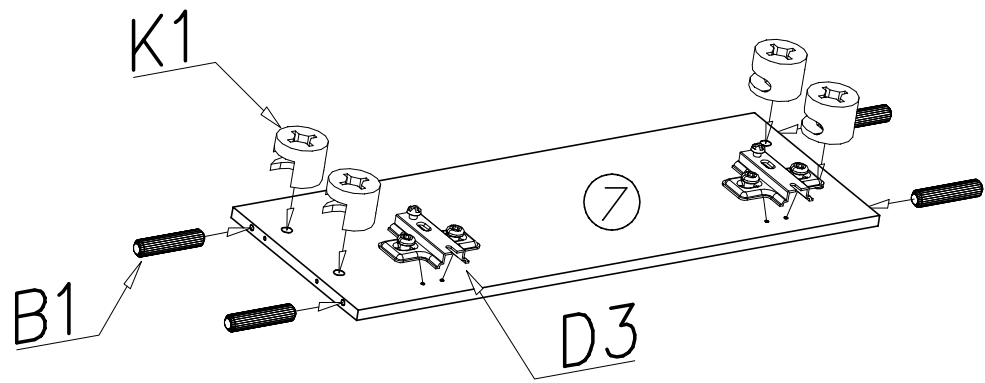
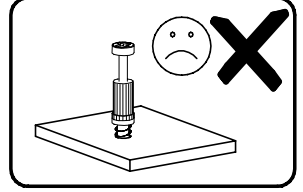
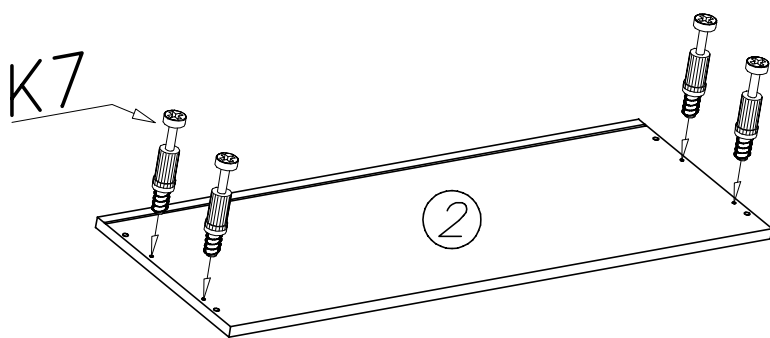
		<b>L13</b>  x...(1)		<b>W10</b> 800mm  x...(1)	
<b>L6</b>  x...(1)	<b>U16R</b>  x...(1)	<b>U16L</b>  x...(1)	<b>G57</b>  3,5x16 x...(2)	<b>G42</b>  6x14 x...(4)	
	<b>N7</b>  M4x15 x...(2)	<b>U15L</b>  x...(1)	<b>U15R</b>  x...(1)	<b>U7</b>  x...(2)	
<b>K1</b>  ø15x12 x...(12)	<b>I7</b>  x...(12)	<b>I1</b>  x...(6)	<b>U8</b>  ø10x60 x...(2)		
<b>K7</b>  x...(12)	<b>B1</b>  ø8x35 x...(12)	<b>C3</b>  Z35PR x...(2)	<b>D3</b>  H=2 PZ35PR x...(2)	<b>G34</b>  3,5x16 x...(14)	

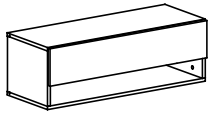


I

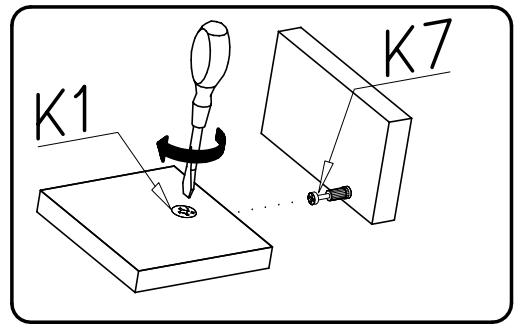
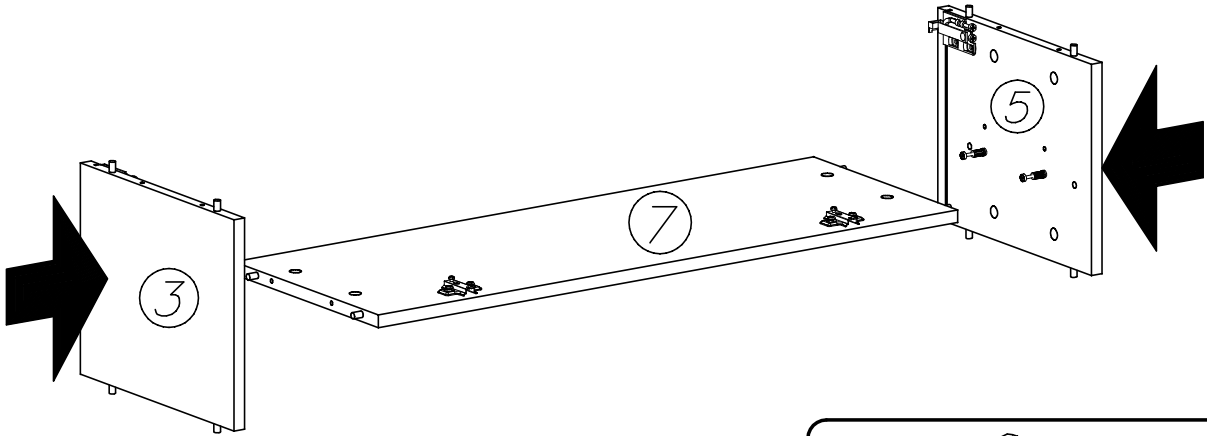


front

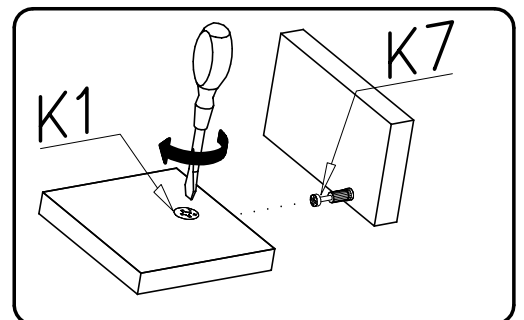
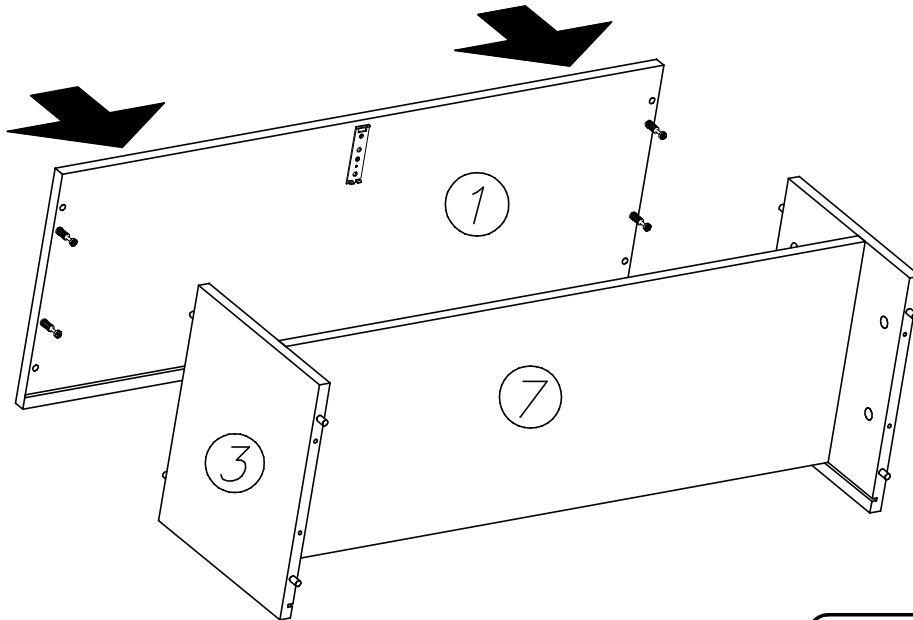


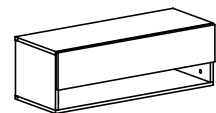


II

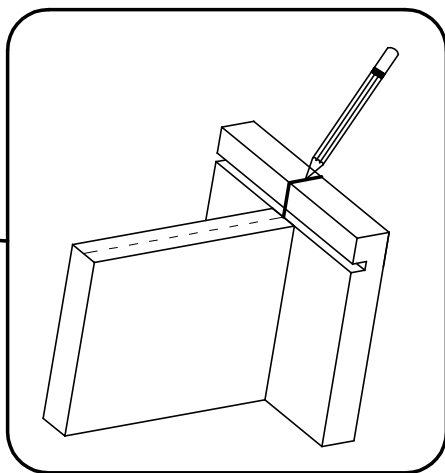
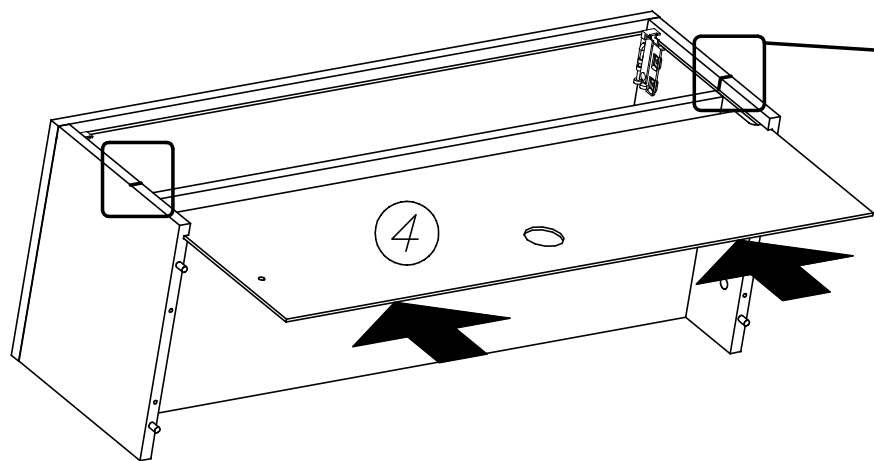


III

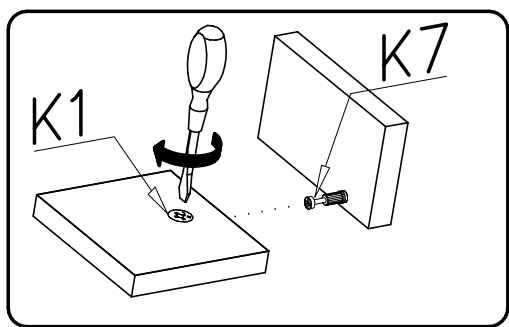
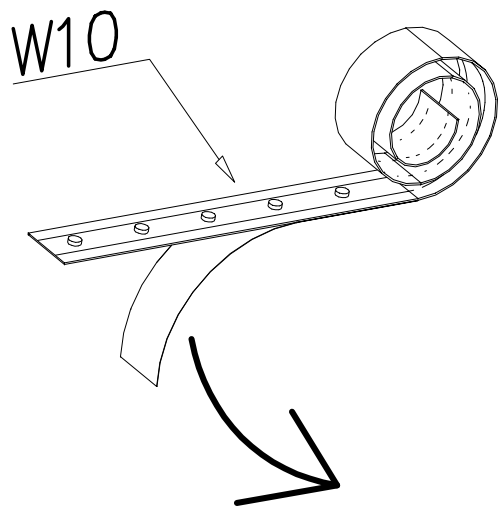
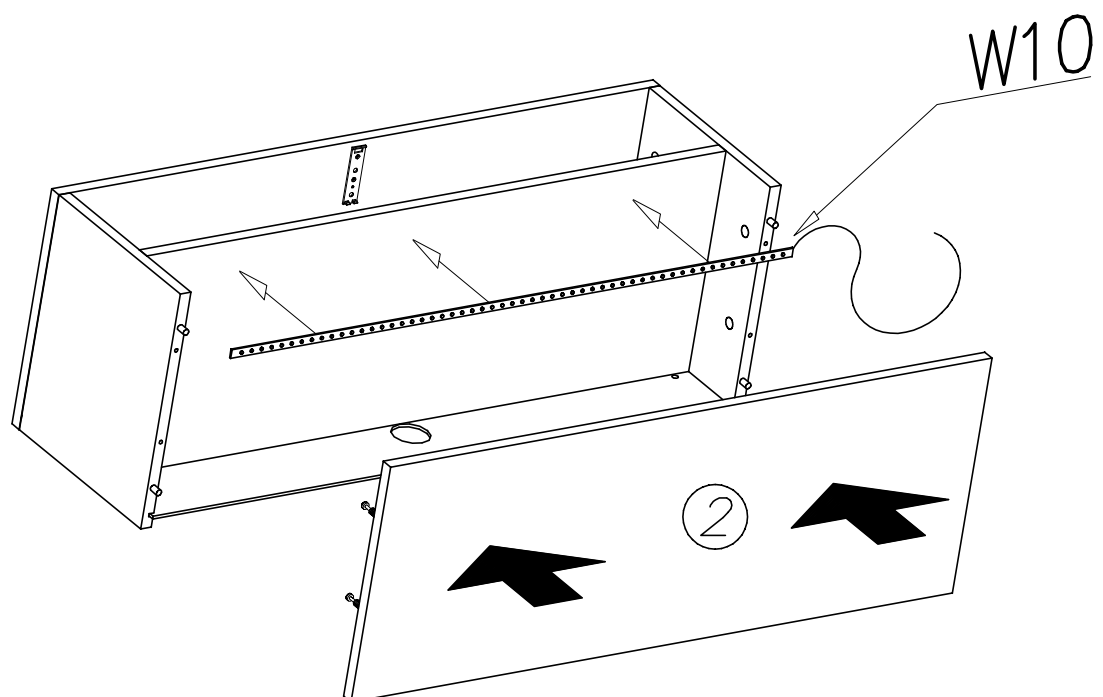


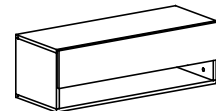


# IV

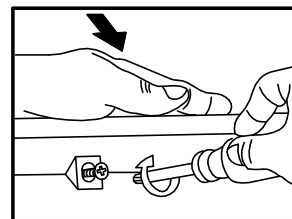
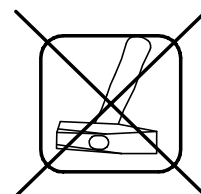
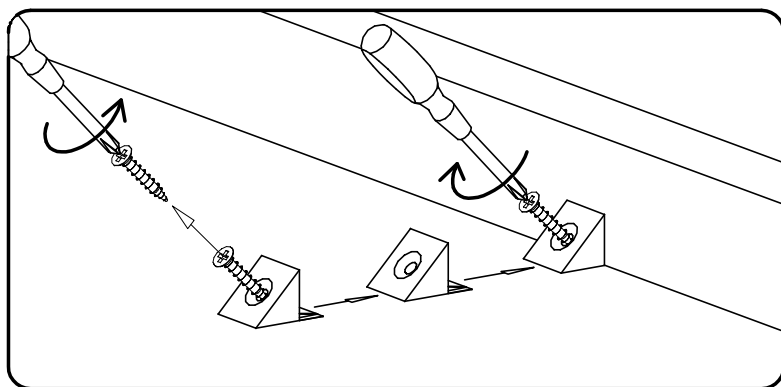
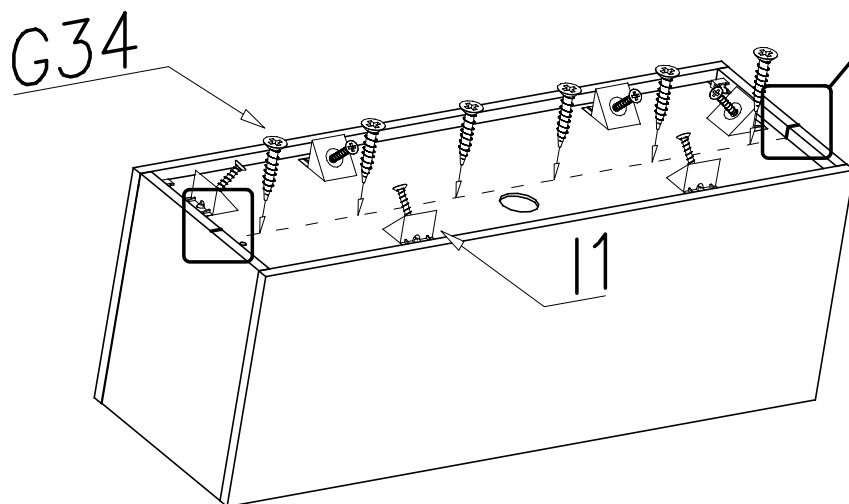
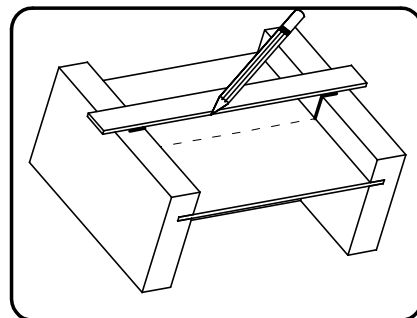
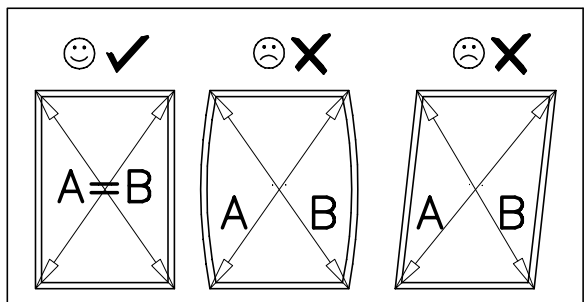


# V

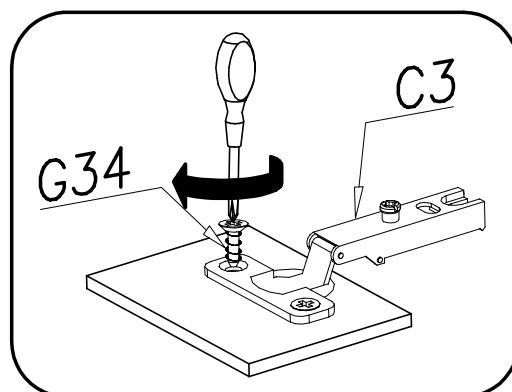
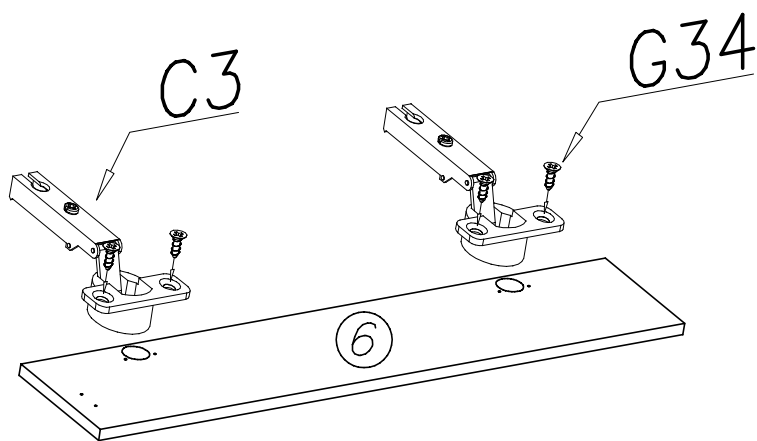


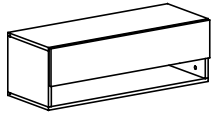


# VI

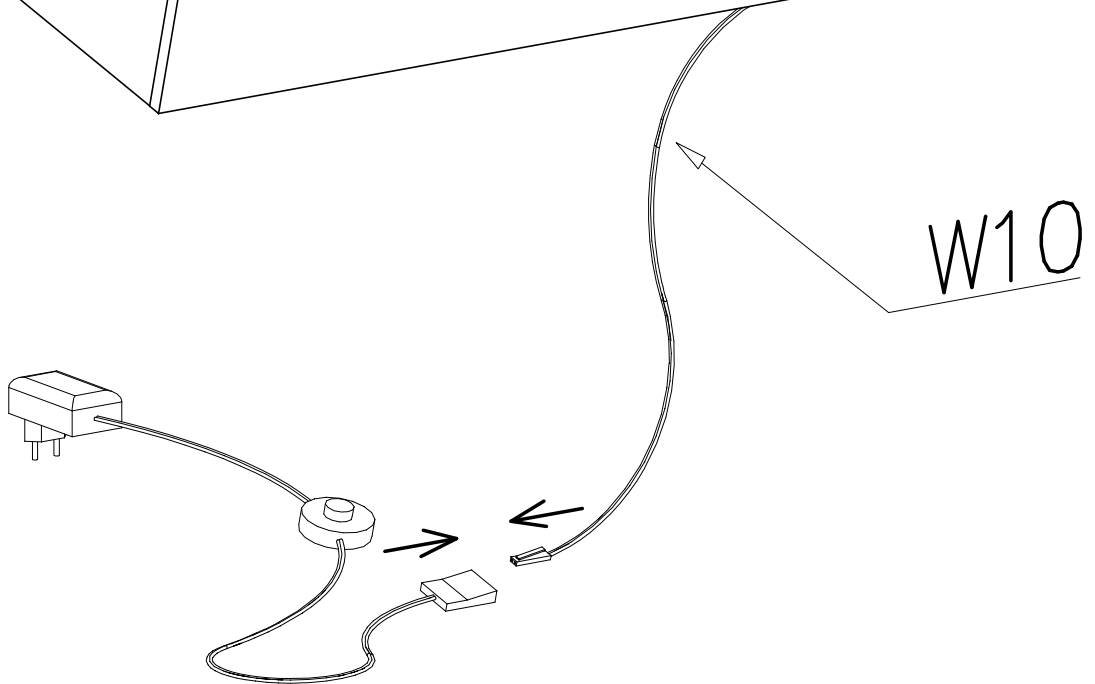
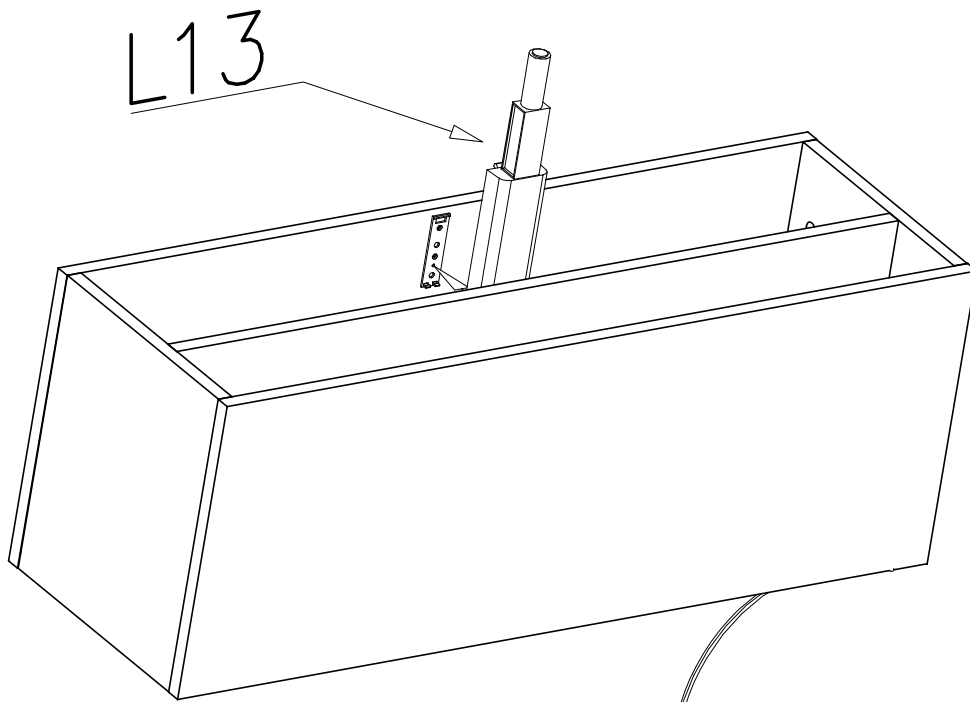
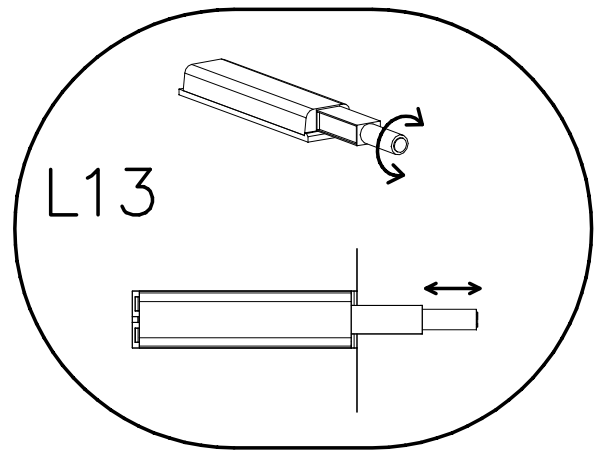
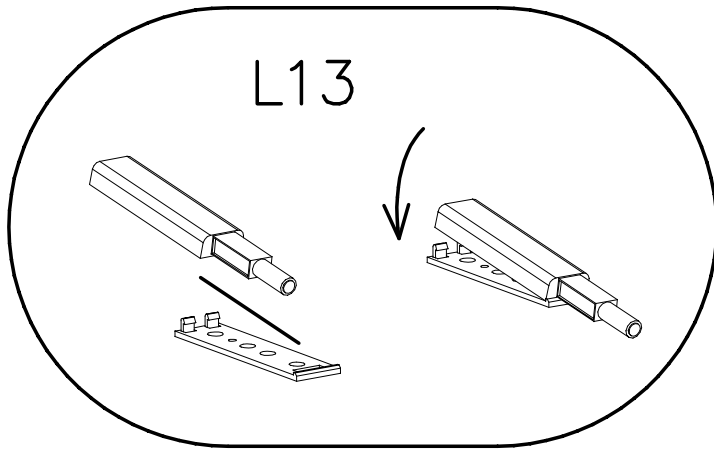


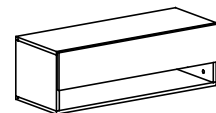
# VII



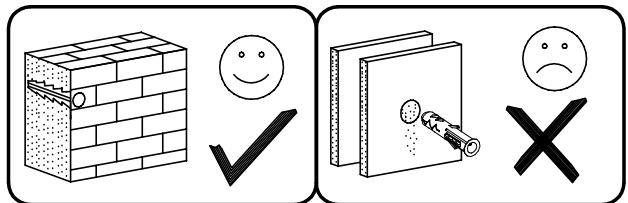
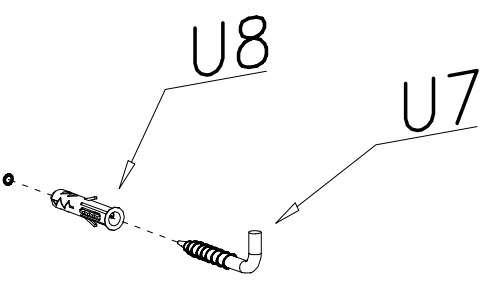
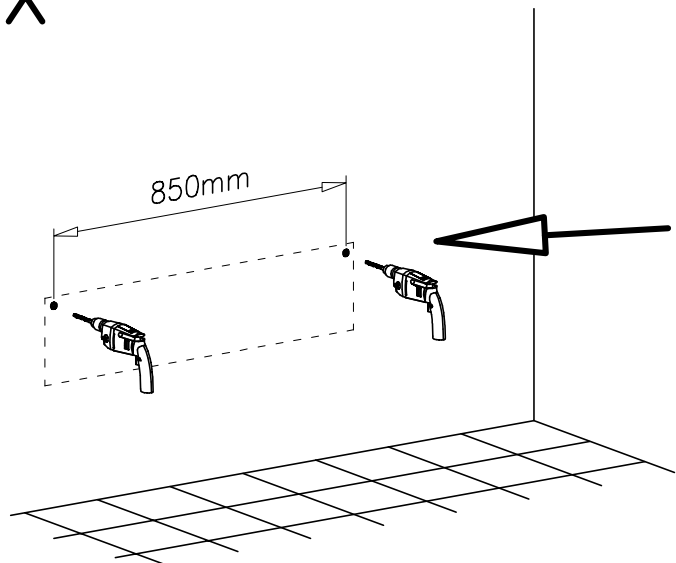


# VIII

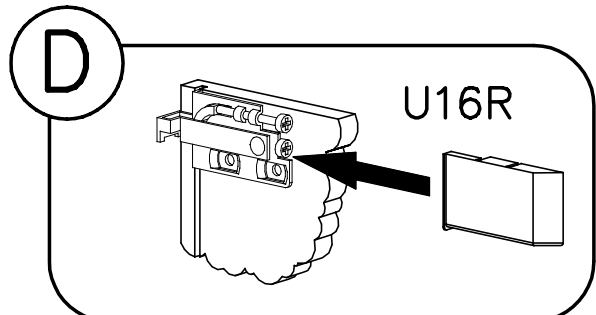
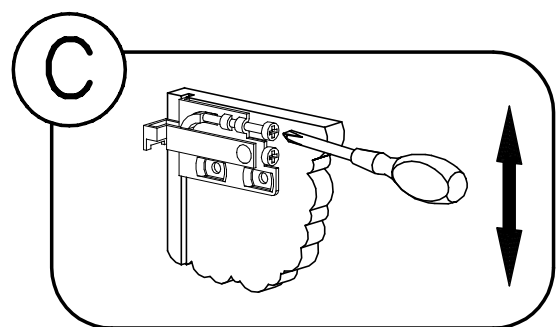
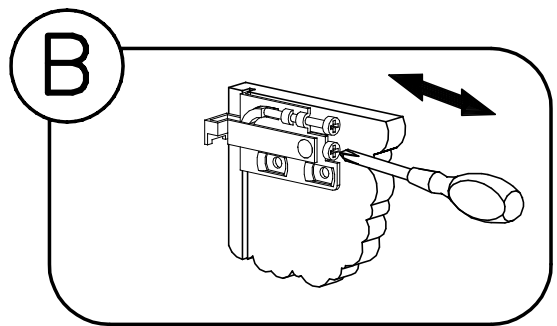
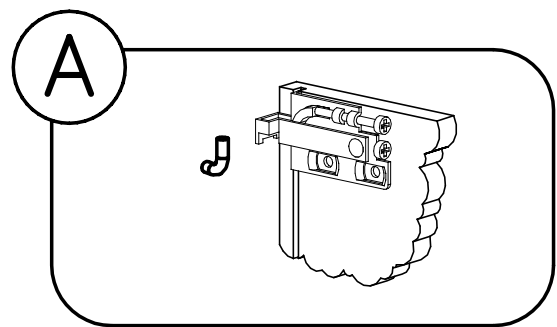
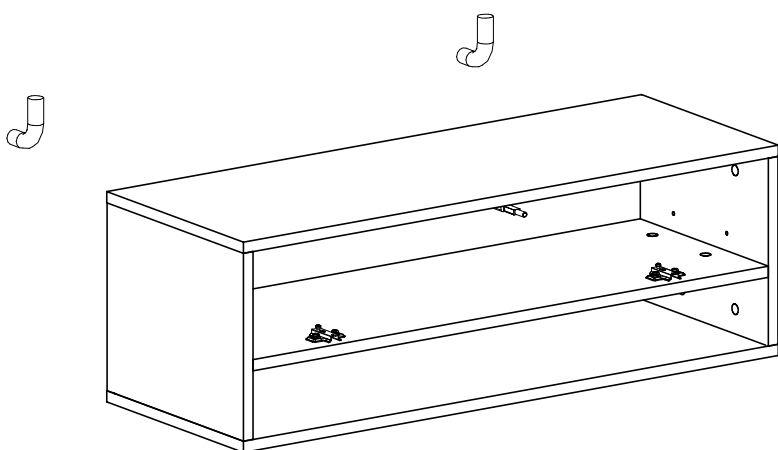


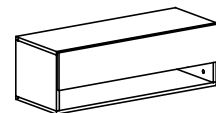


# IX

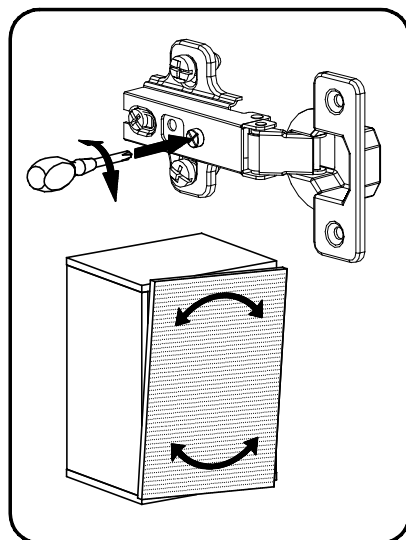
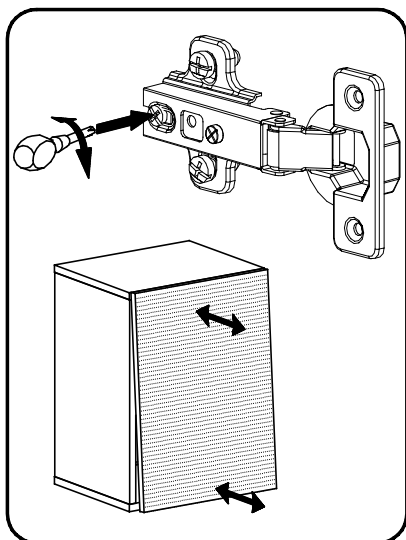
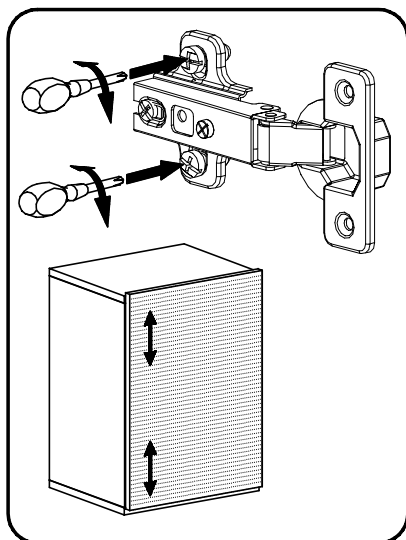
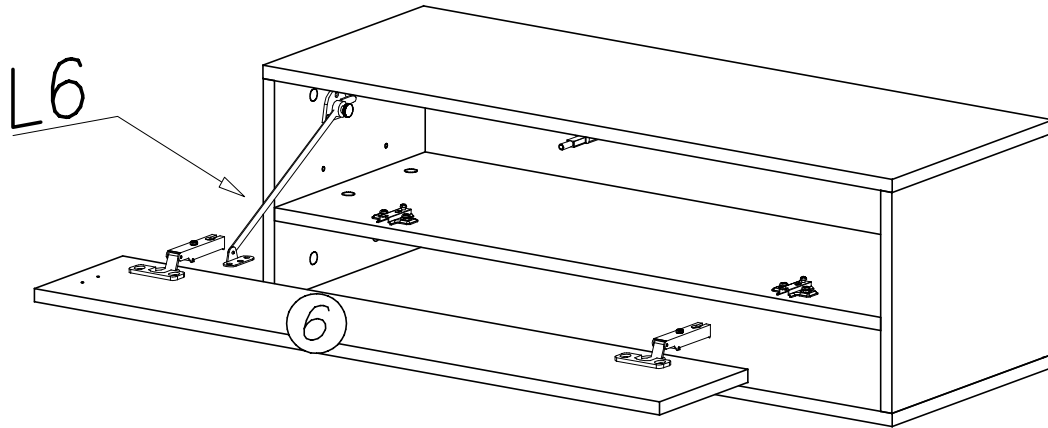
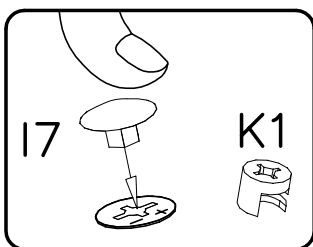
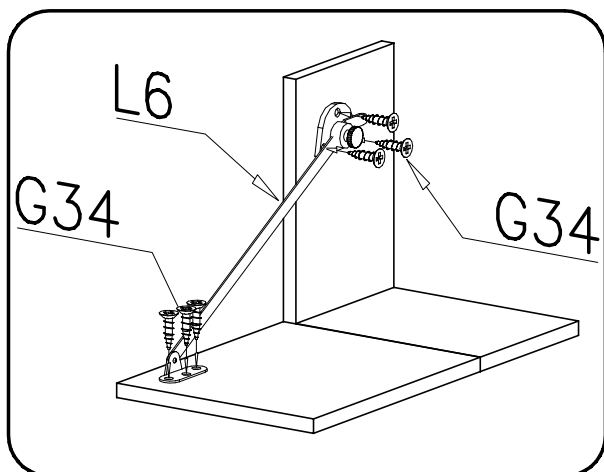
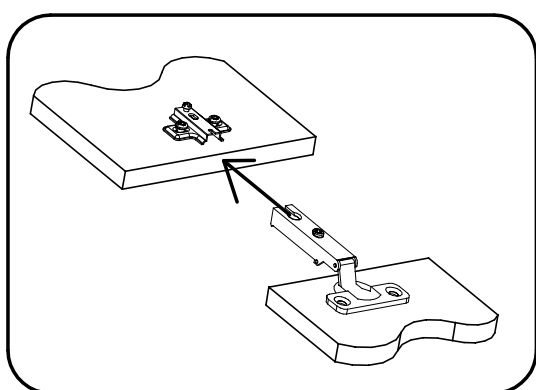


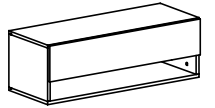
# X



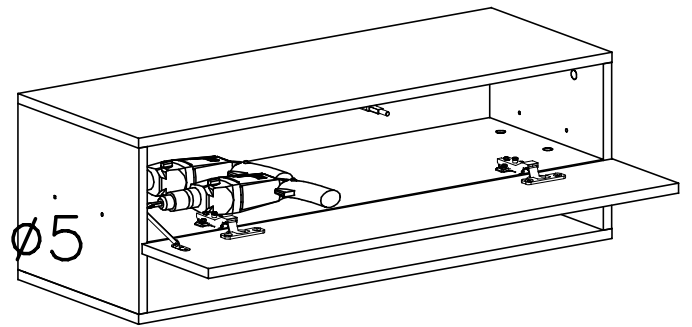
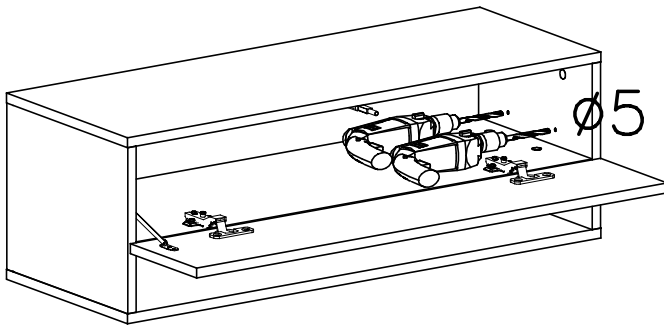
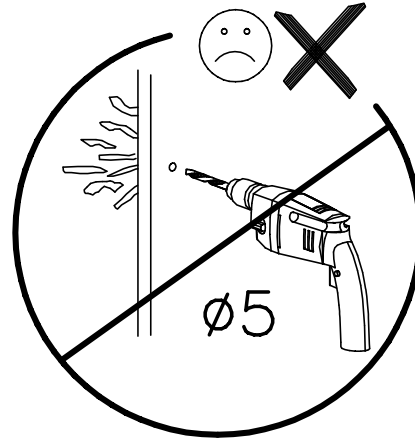
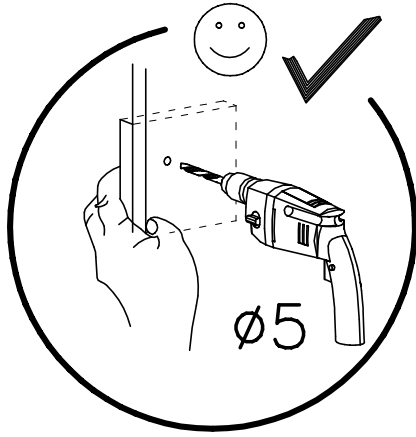


# XI

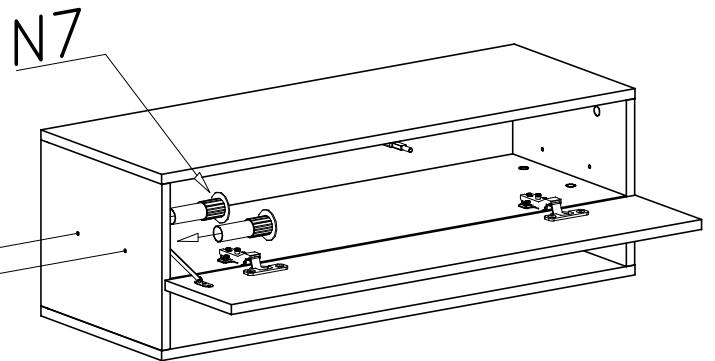
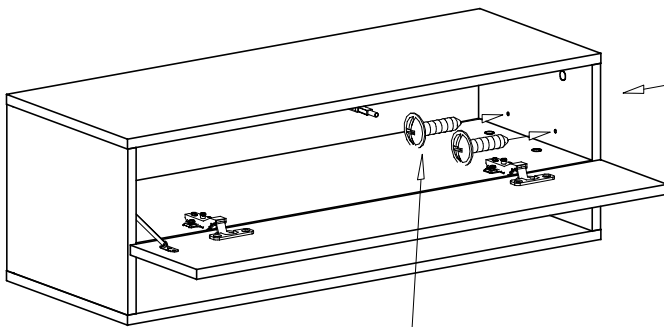




# XII



# XIII



N7

