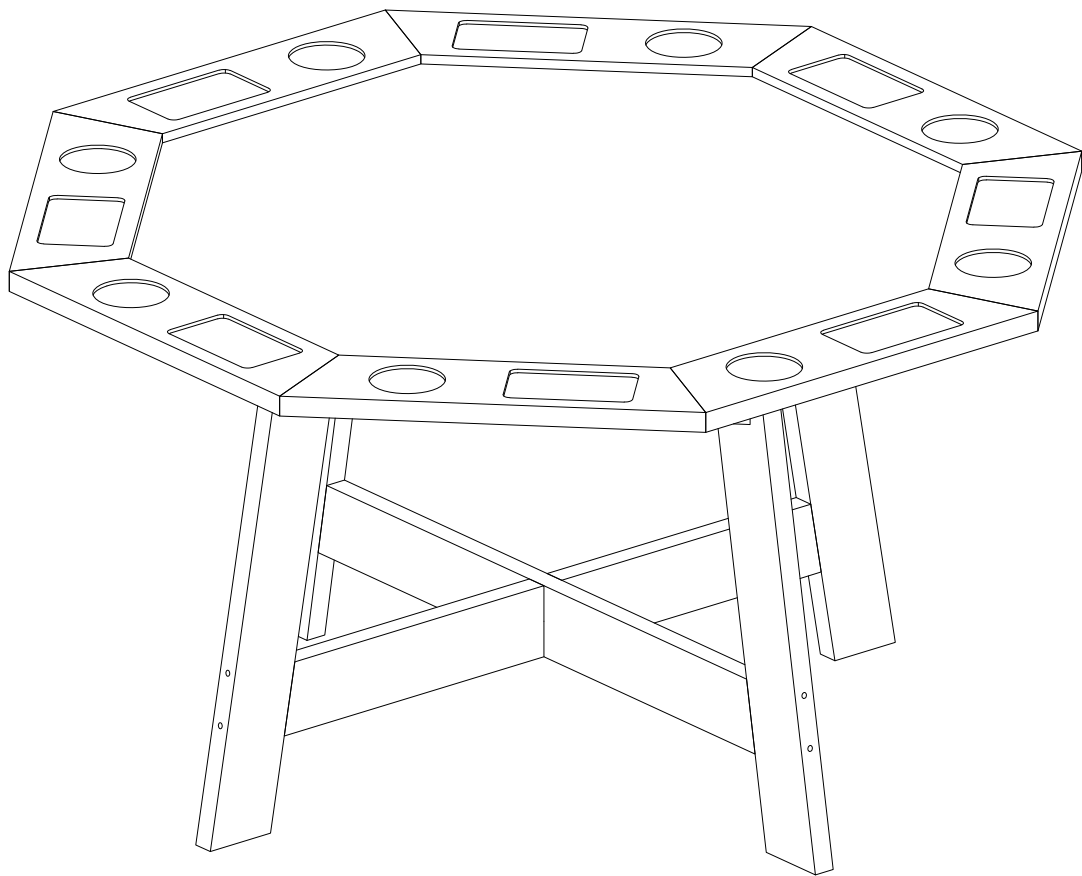


Board Game Table



As this item contains many parts, please read the installation instruction carefully before installation. Please use tools properly and carefully. If you have any questions regarding the product or installation, please contact us. Our professional after-sales team will respond within 24 hours online

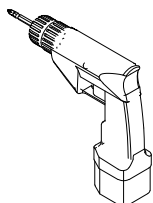
Before You Start

People need for assembly: 1-2

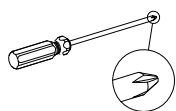
Read through each step carefully and follow the proper order

Separate and count all your parts

Give yourself enough room for the assembly process and hardware



You need the following tools: Power drill, Phillips head screwdriver



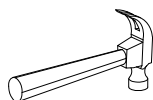
Caution: If using a power drill or power screwdriver for

screwing. Please be aware of slowing down and stop when screw is tight. Failure to do so may result in stripping the screw.

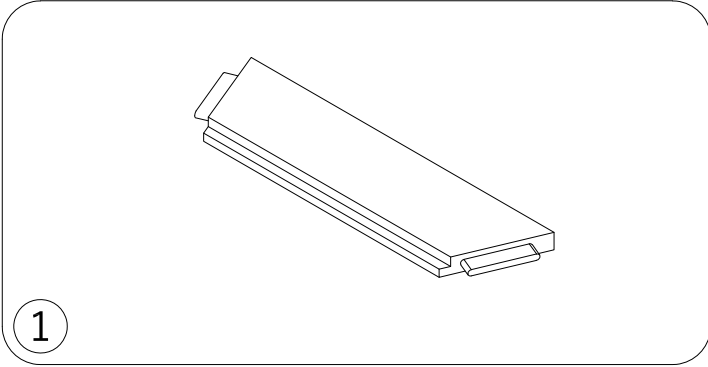
(Assembly speed can be increased by using electric screwdriver)

Caution: When flipping the table from legs-up to legs-down

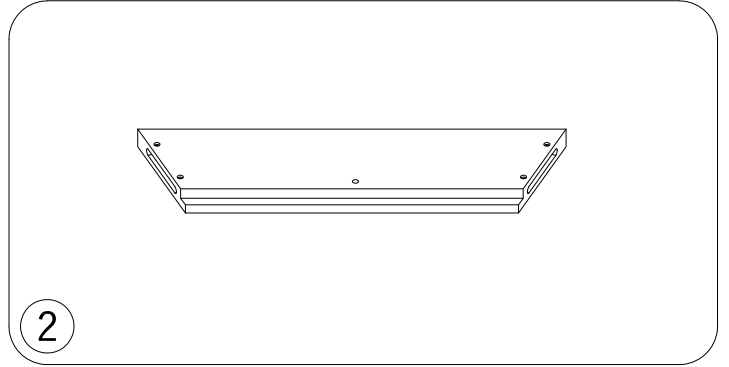
position during installation, always lift with two people to avoid crushing the legs



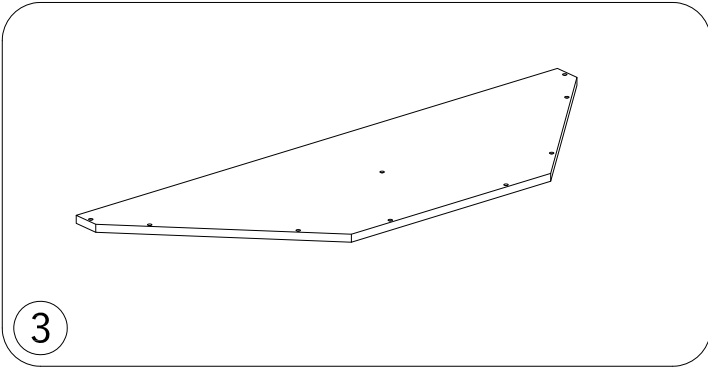
PART LIST



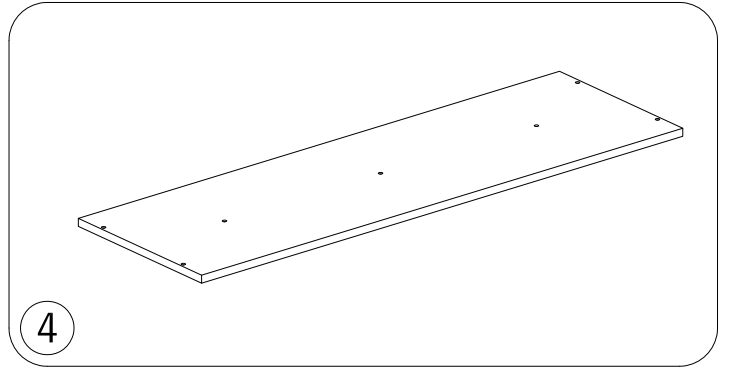
4PCS



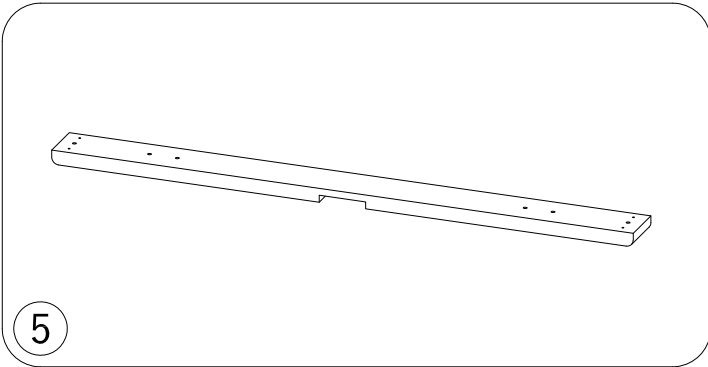
4PCS



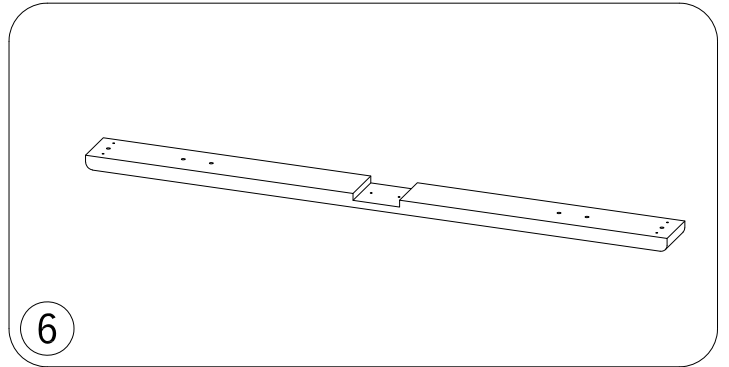
2PCS



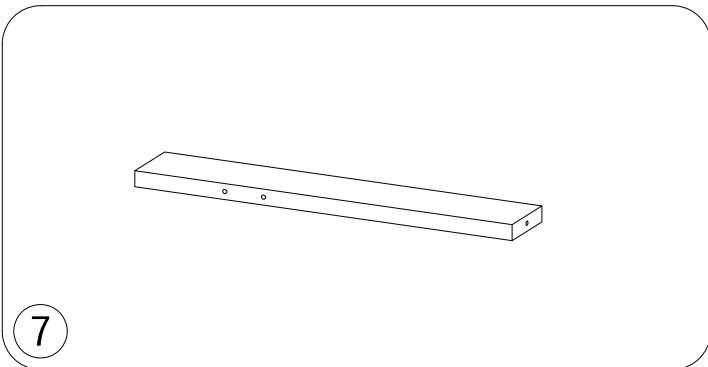
1PCS



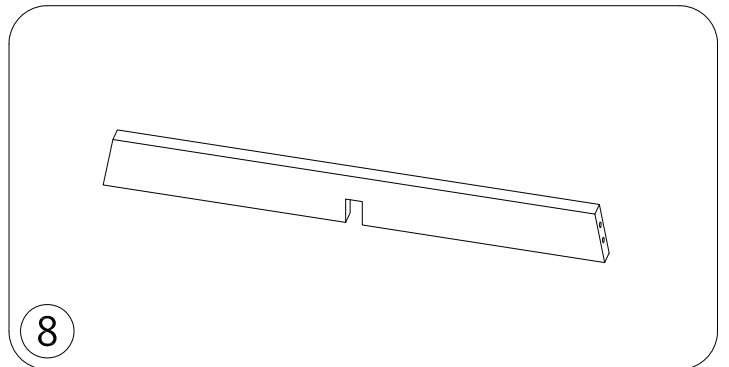
1PCS



1PCS

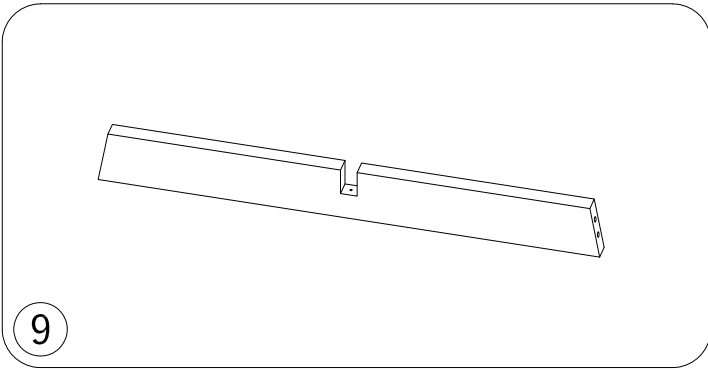


4PCS

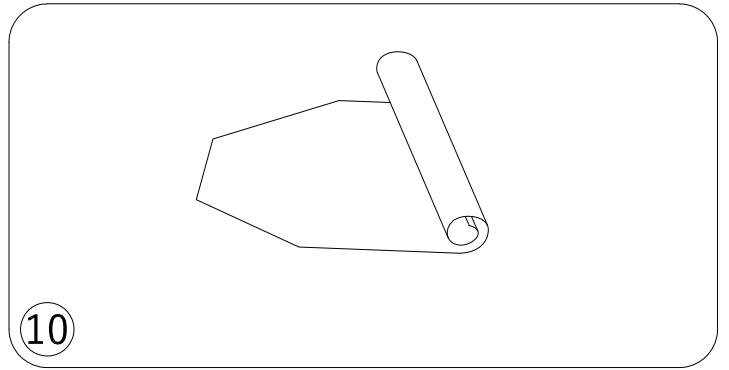


1PCS

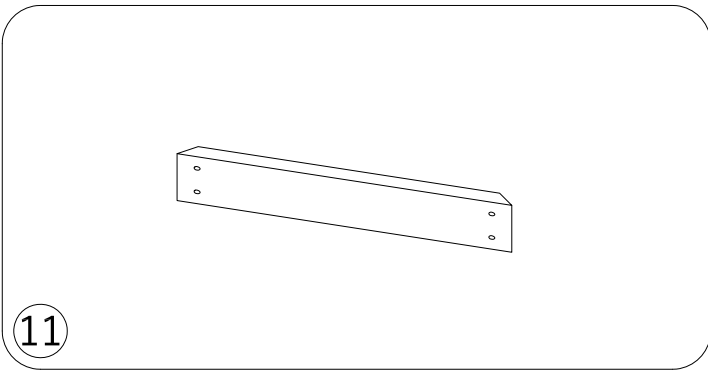
PART LIST



1PCS



1PCS



4PCS

HARDWARE LIST



4x16

(A)

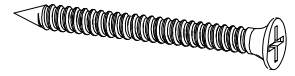
16+3 PCS



8x30

(B)

16+3 PCS



4x40

(C)

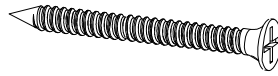
8+2 PCS



4x22

(D)

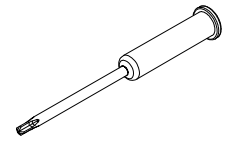
20+3 PCS



4x30

(E)

33+5 PCS



(F)

1 PCS

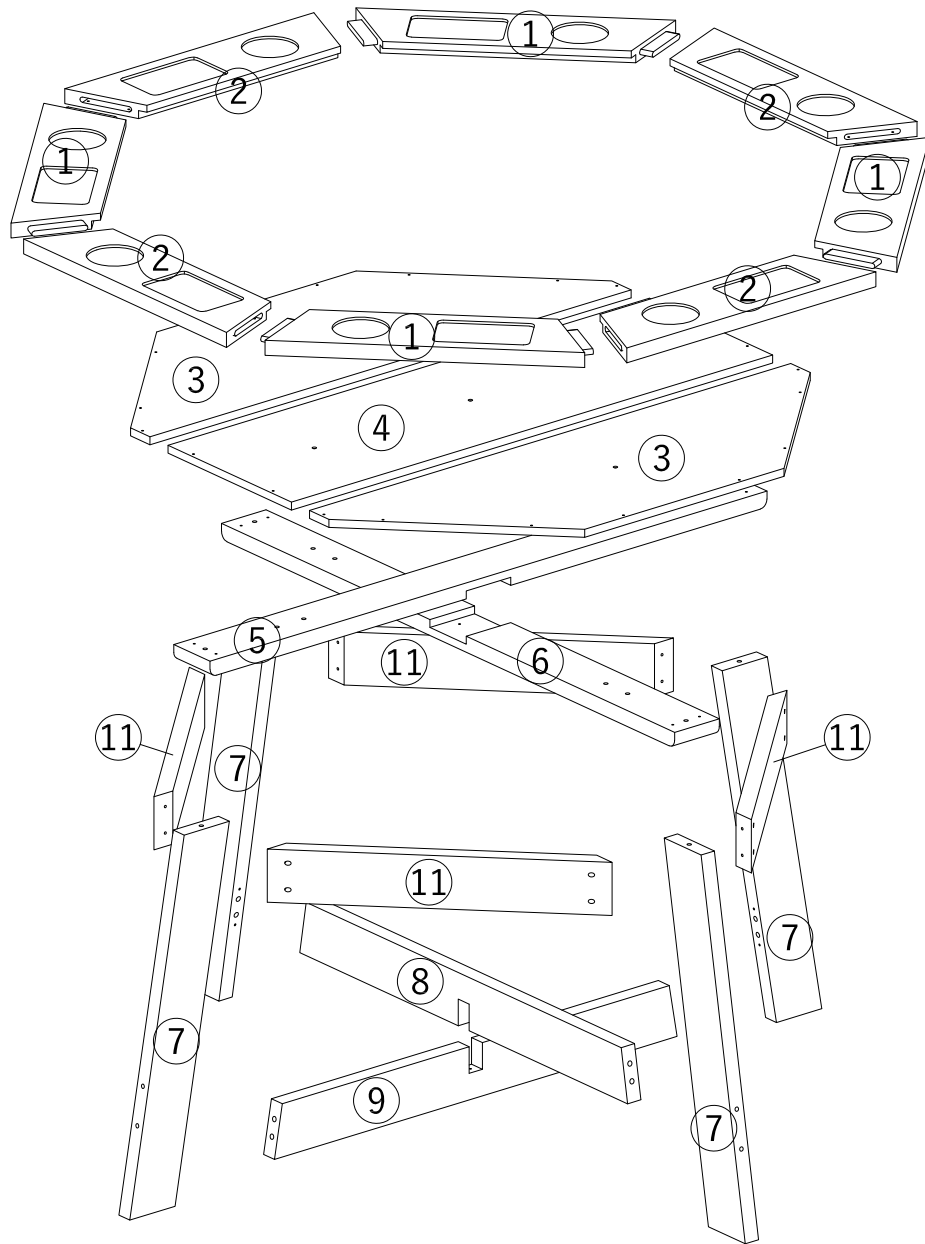


4x25

(G)

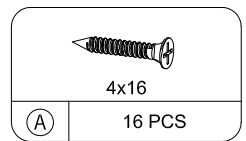
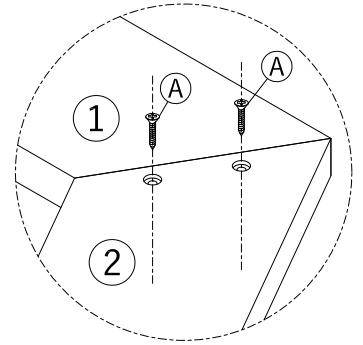
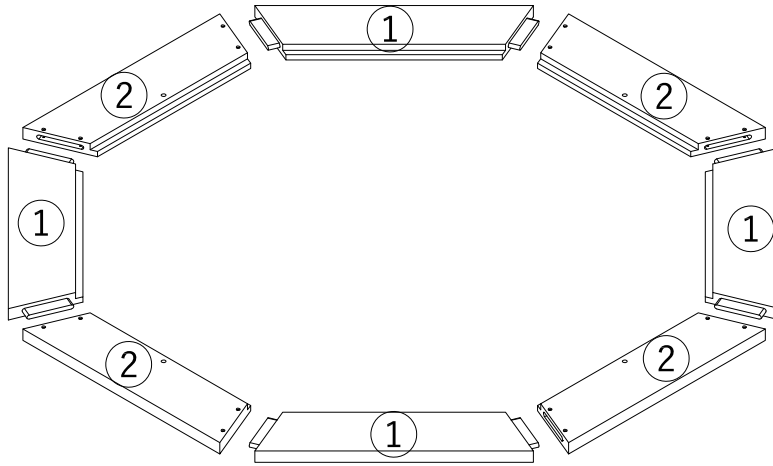
7+2 PCS

EXPLODED VIEW

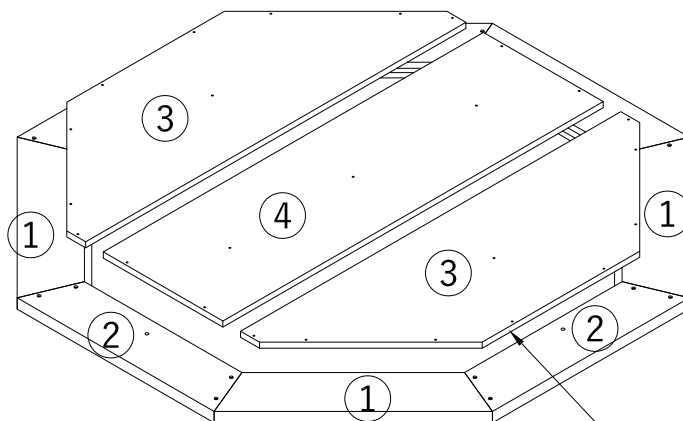


INSTALLATION STEPS

STEP1



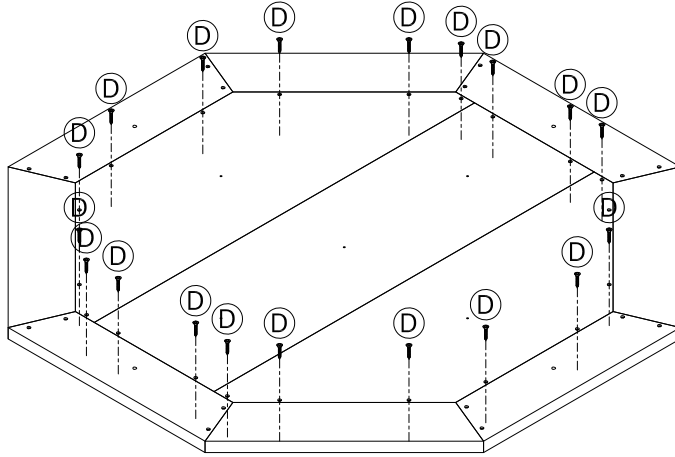
STEP2



The edge of plate ③ corresponds to plate ②

INSTALLATION STEPS

STEP3

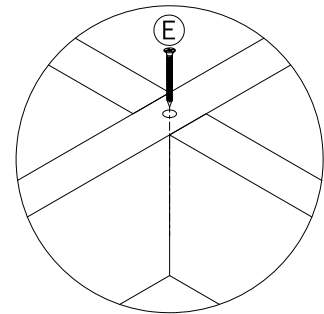
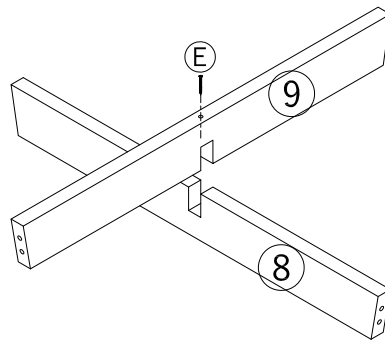
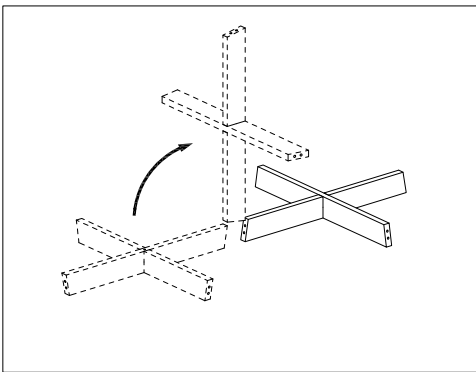


4x22

(D)

20 PCS

STEP4



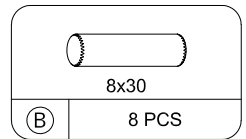
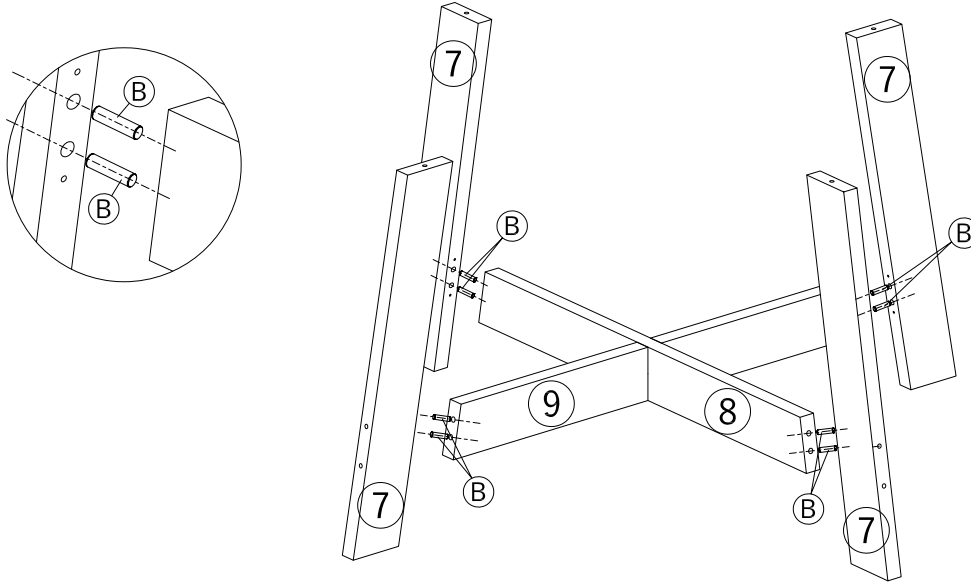
4x30

(E)

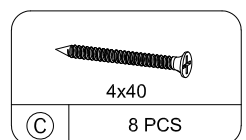
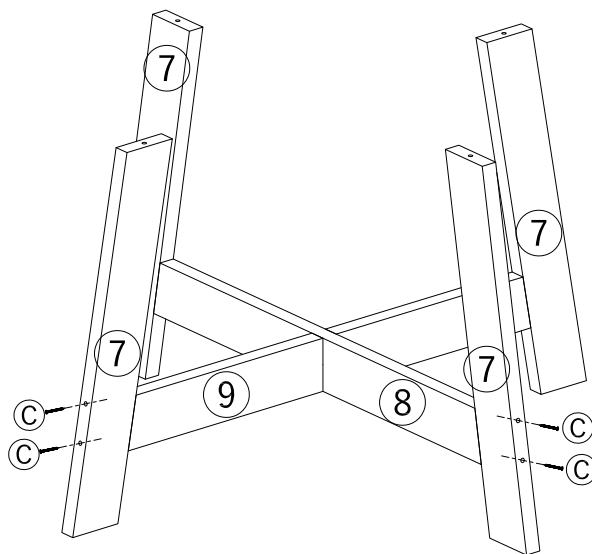
1 PCS

INSTALLATION STEPS

STEP5

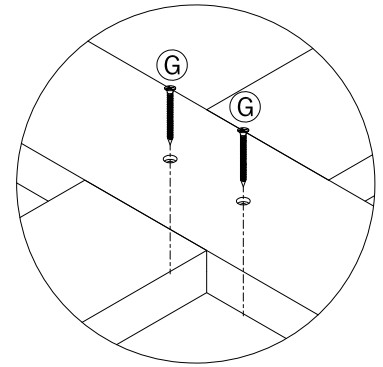
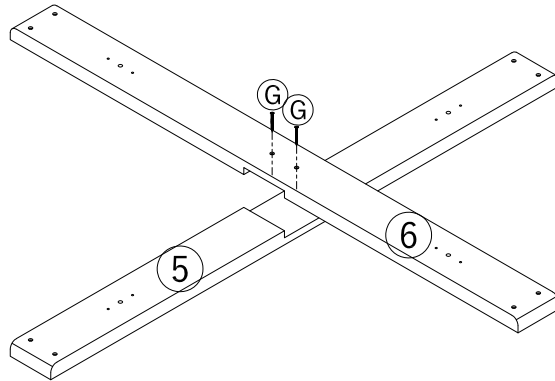


STEP6



INSTALLATION STEPS

STEP 7

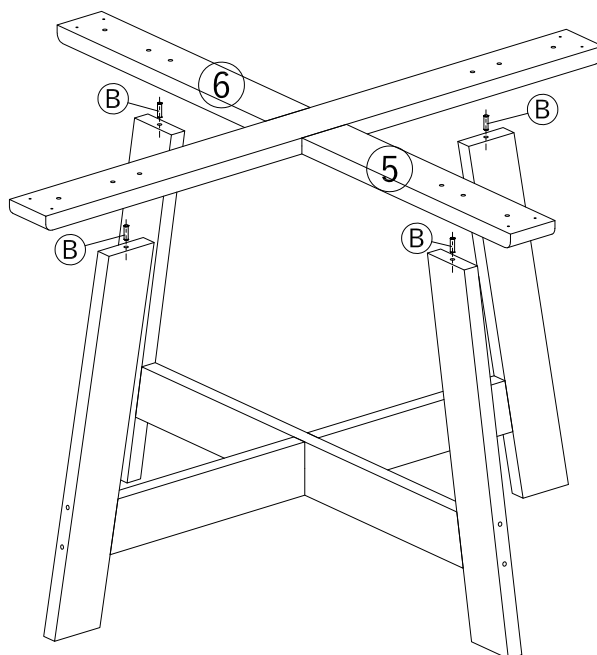


4x25

(G)

2 PCS

STEP 8



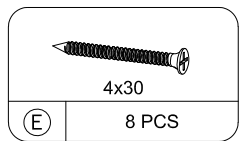
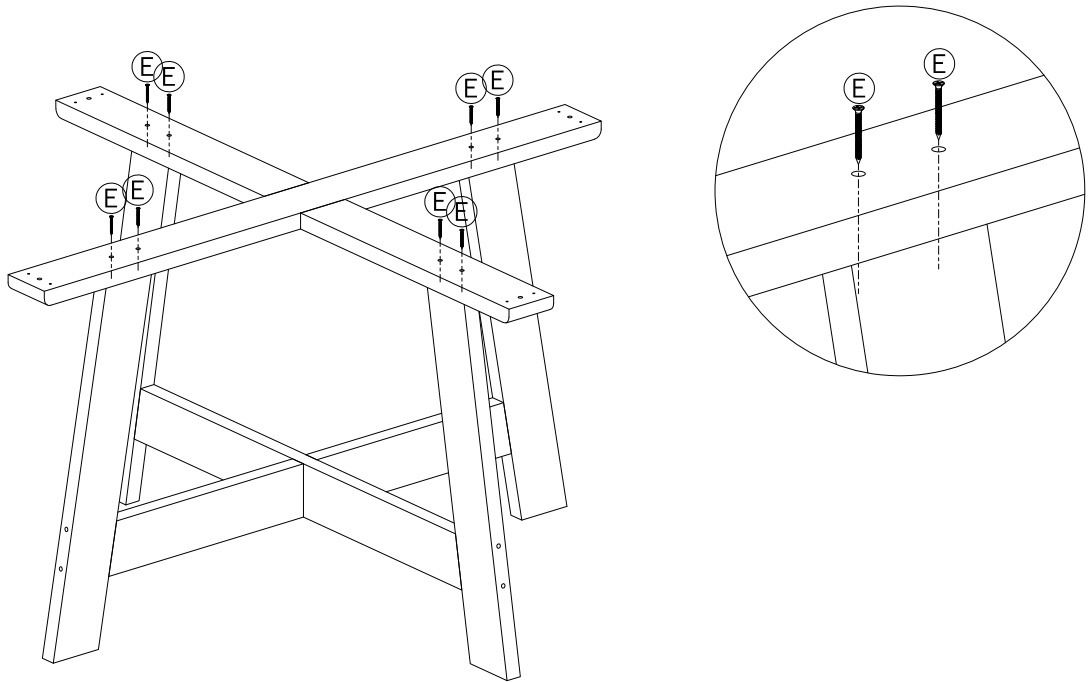
8x30

(B)

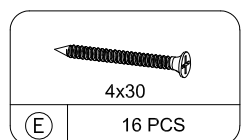
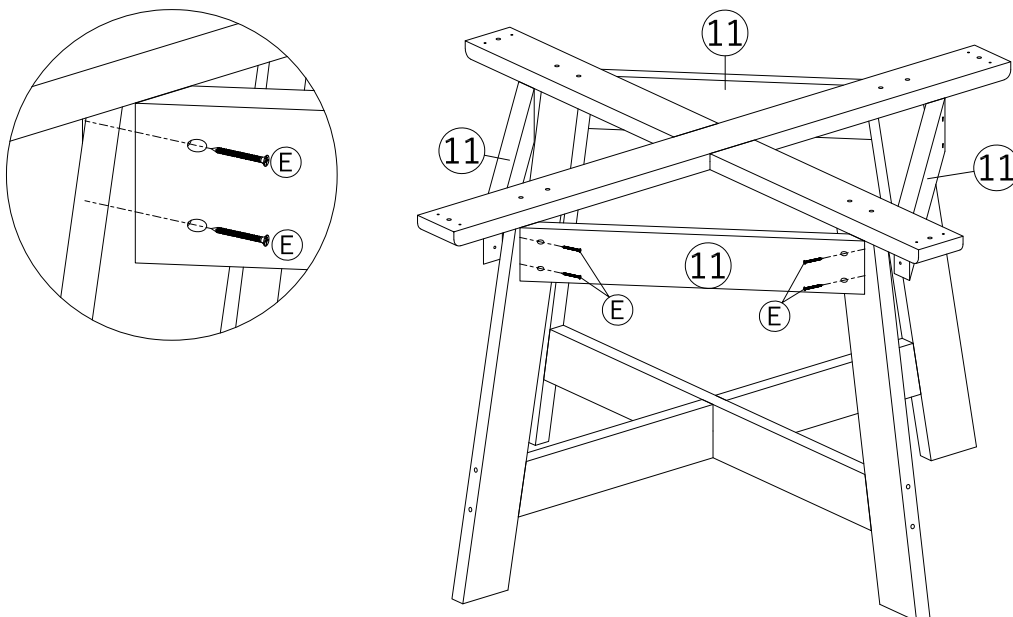
4 PCS

INSTALLATION STEPS

STEP 9

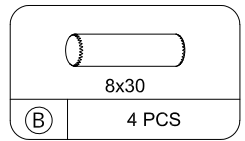
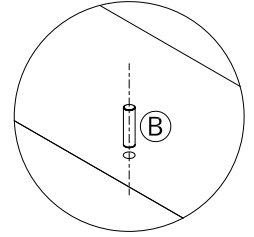
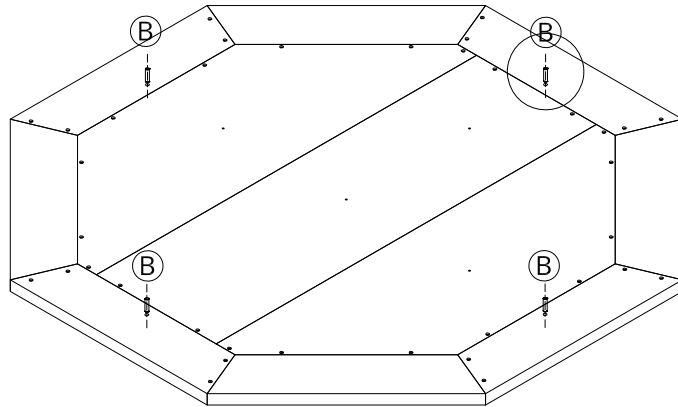
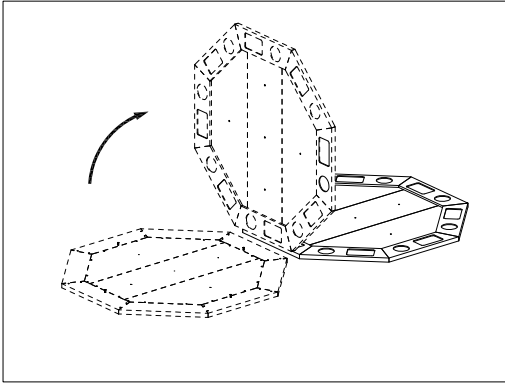


STEP 10

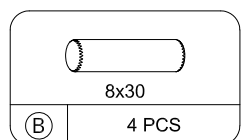
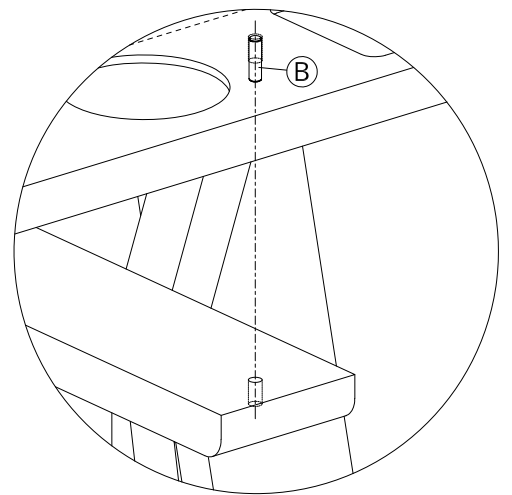
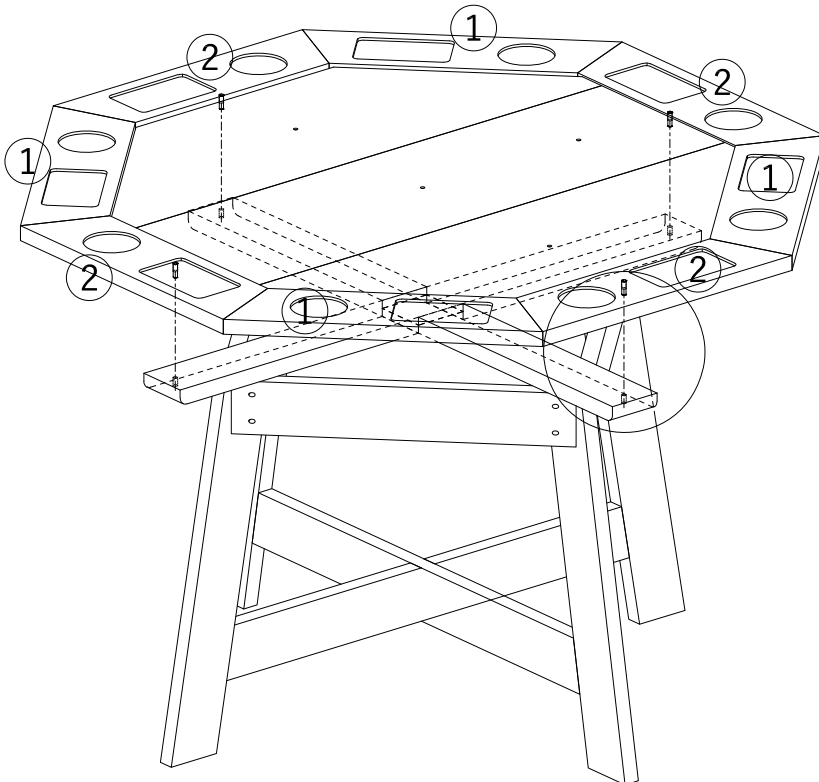


INSTALLATION STEPS

STEP 9

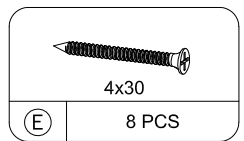
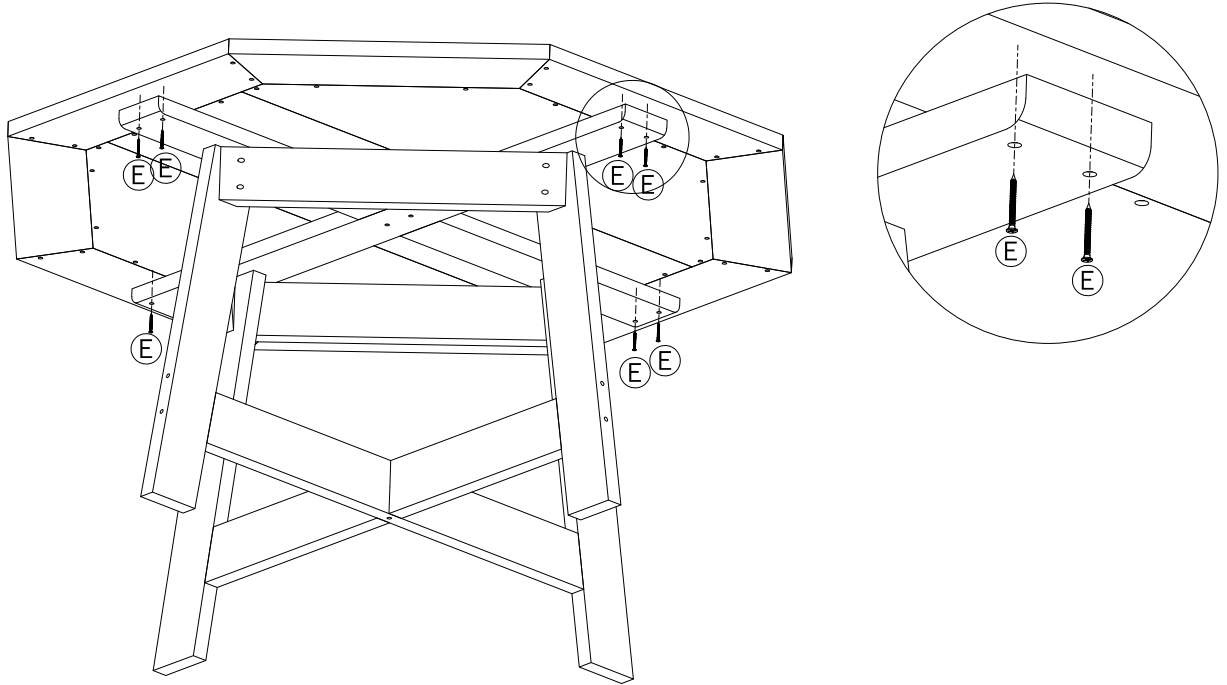


STEP 10

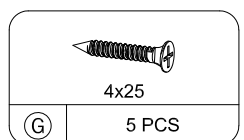
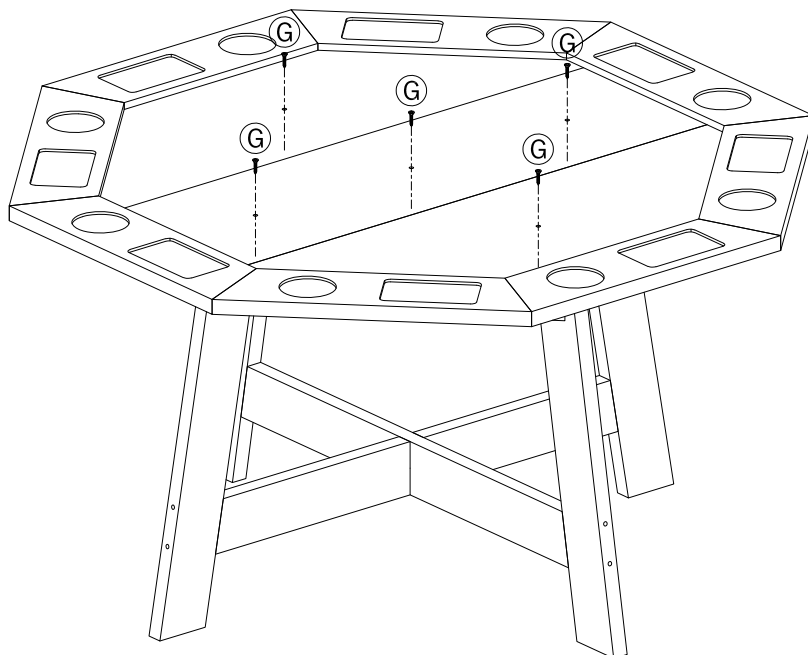


INSTALLATION STEPS

STEP 9

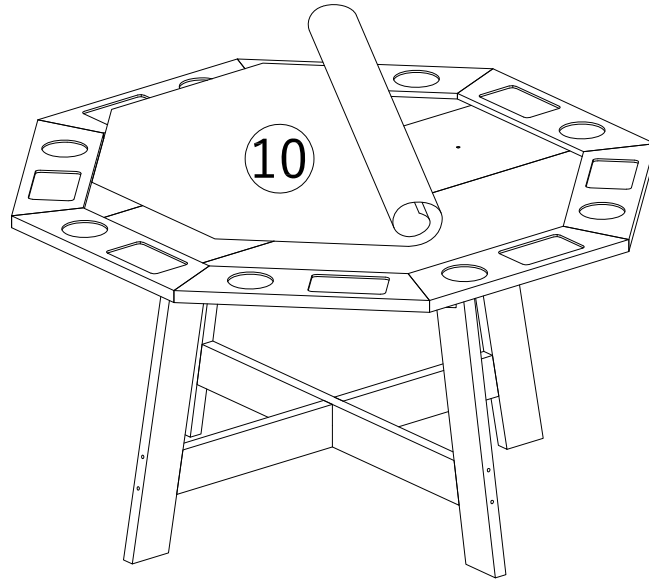


STEP 10



INSTALLATION STEPS

STEP 9



STEP 10

