

ASSEMBLY INSTRUCTION

ASSEMBLY TIPS :

1. Remove hardware from box and sort by size .
2. Please check to see that all hardware and parts are present prior start of assembly .
3. Please follow attached instructions in the same sequense as numbered to assure fast & easy assembly .

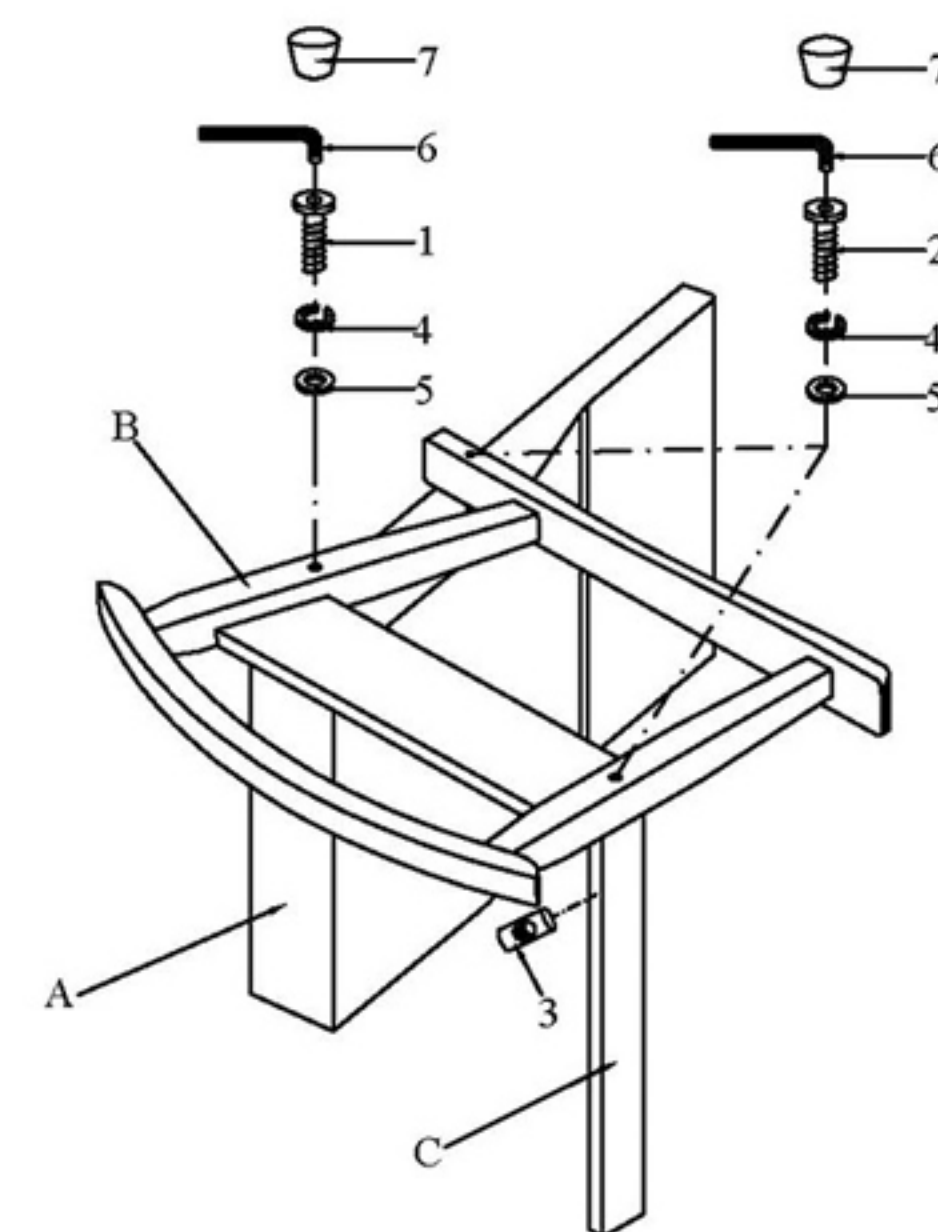


Warning !

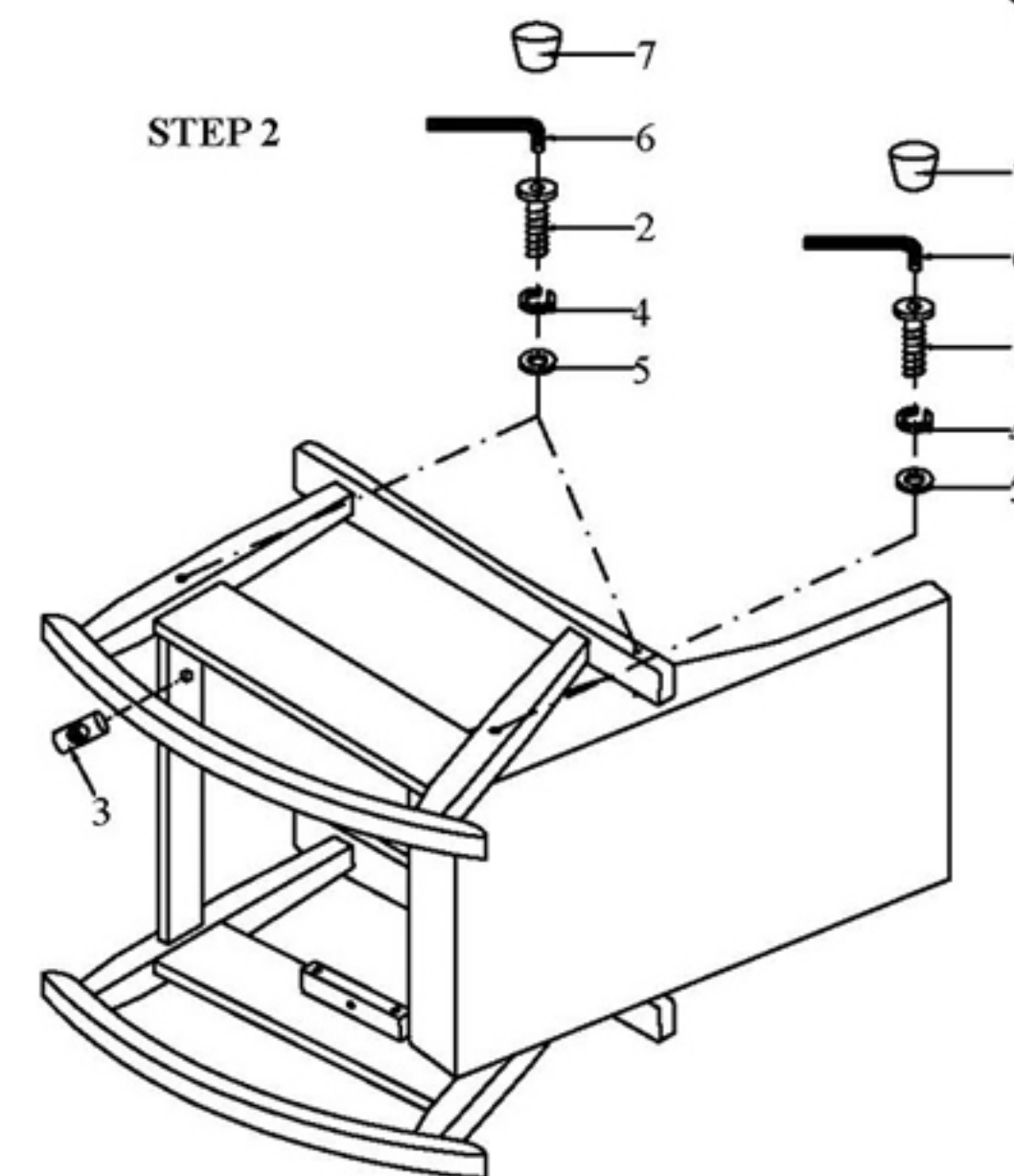
1. Don't attempt to repair or modify parts that are broken or defective . Please contact the store immediately .
2. This product is for home use only and not intended for commercial establishment .

HARDWARE LIST				PARTS IDENTIFICATION			
1	Ø 1/4" x 60mm		2PCS	A	CHAIR BACK		1PC
2	Ø 1/4" x 70mm		4PCS				
3	Ø 1/4" x 13mm		2PCS	B	LEG (LEFT+RIGHT)		2PCS
4	Ø 1/4" x 10.5mm		6PCS				
5	Ø 1/4" x 12.5mm		6PCS	C	FRONT RAIL		1PC
6	M4		1PC				
7	Ø 13.5 x 8mm		6PCS	D	SEAT		1PC
8	M4x38mm		4PCS				

STEP 1



STEP 2



STEP 3

