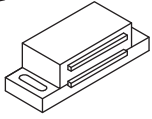

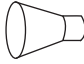
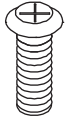





UESR'S MANUAL

Lockers

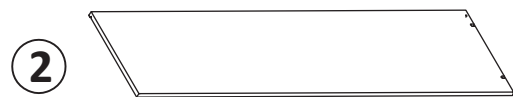
Hardware List

A 	B 	C 	D 
Magnet (1pc)	Magnet screw (2pcs)	Knob (1pc)	Knob screw (1pc)
E 	F 	G 	
Spring pins (2pcs)	Screw (12pcs)	Cap (12pcs)	

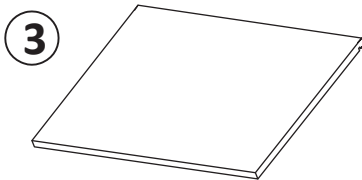
Panel List



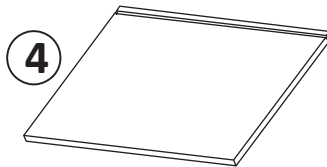
Left side panel (1pc)



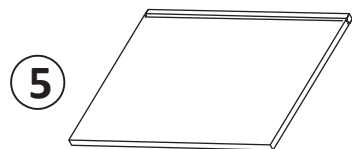
Right side panel (1pc)



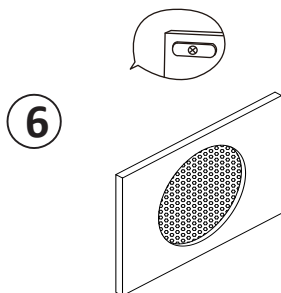
Top panel (1pc)



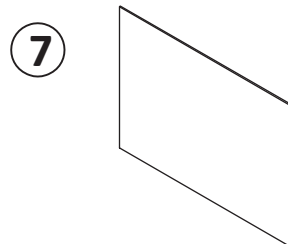
Bottom panel (1pc)



Middle panel (1pc)

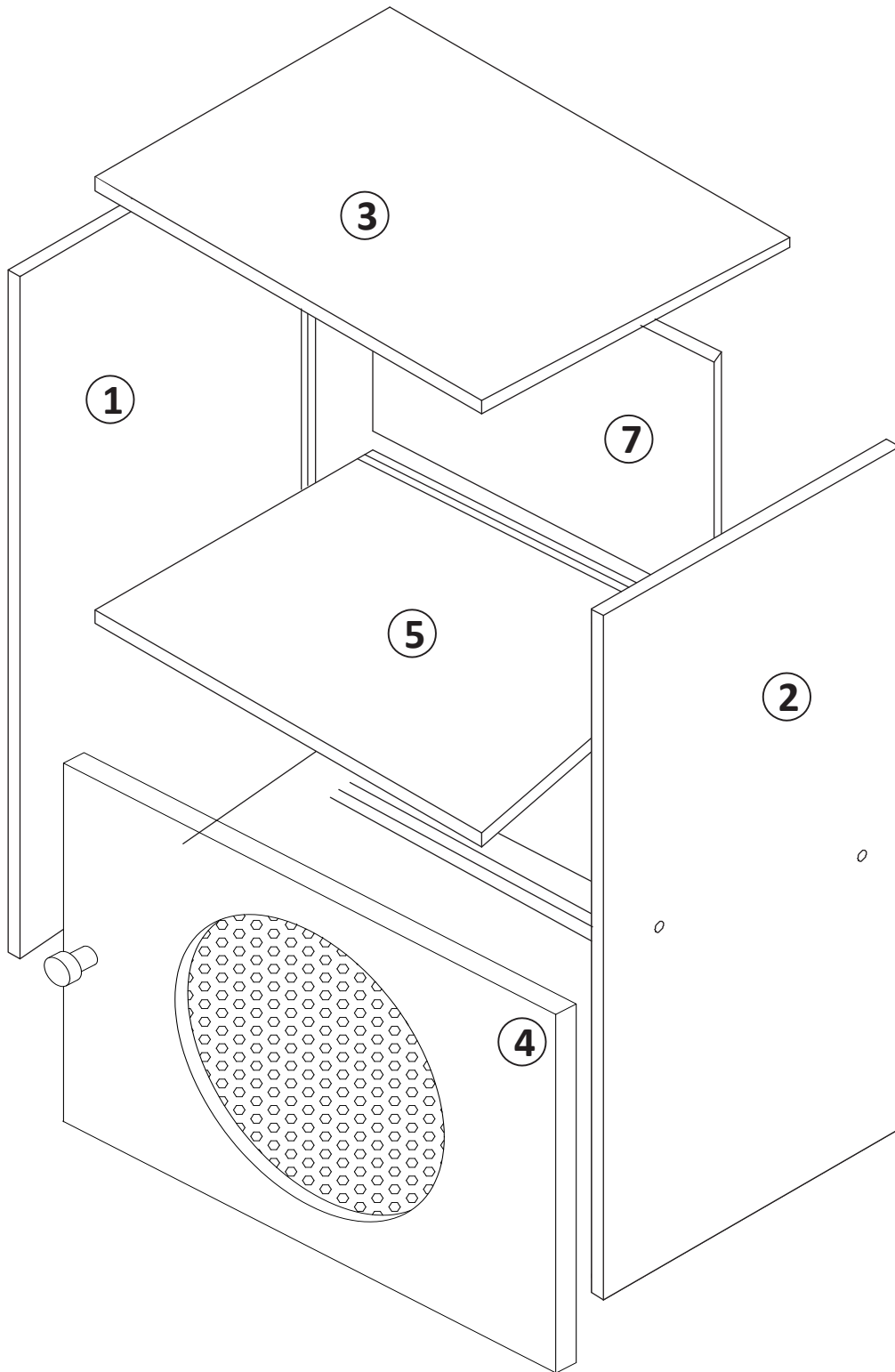


Door panel (1pc)



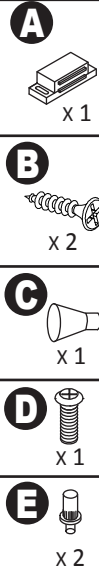
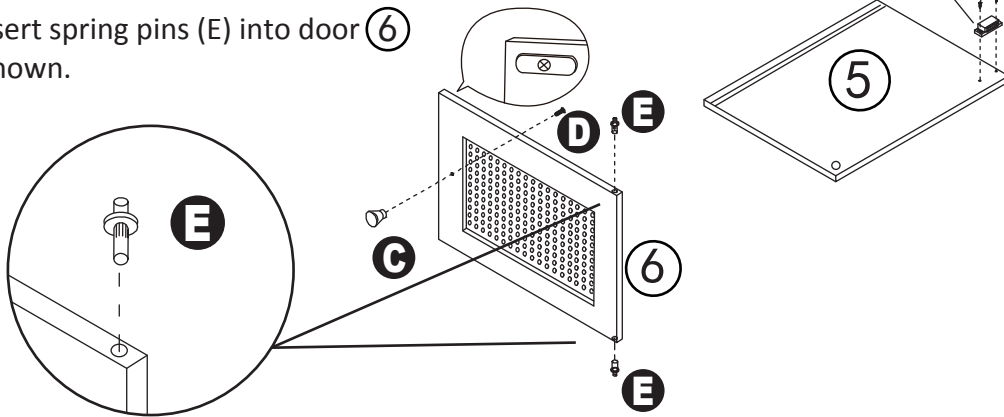
Back panel (2pcs)

Exploded Views



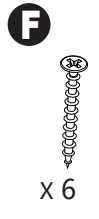
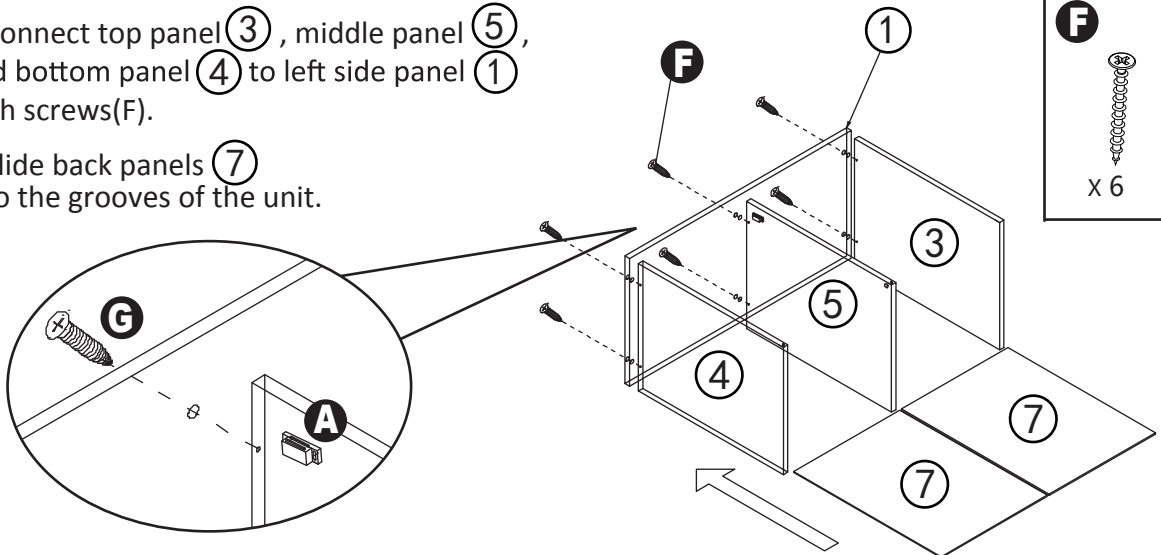
Step 1

1. Attach magnet (A) to the middle panel (5) with magnet screws (B).
2. Attach knob (C) to door (6) using knob screw (D).
3. Insert spring pins (E) into door (6) as shown.



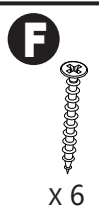
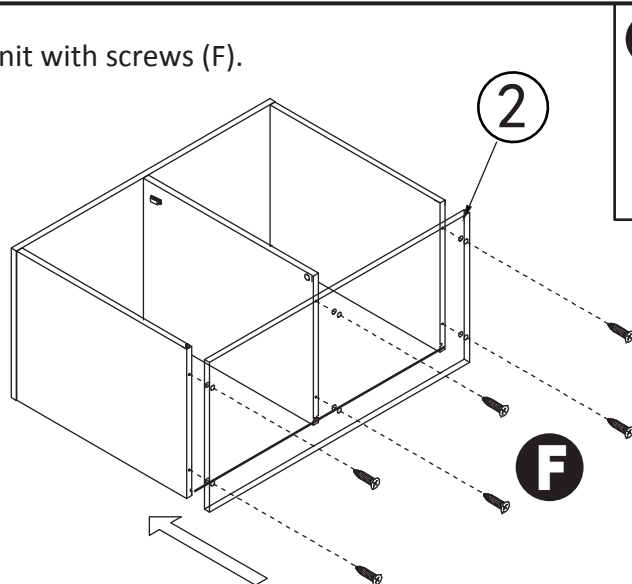
Step 2

1. Connect top panel (3), middle panel (5), and bottom panel (4) to left side panel (1) with screws (F).
2. Slide back panels (7) into the grooves of the unit.



Step 3

1. Connect right side panel (2) to unit with screws (F).

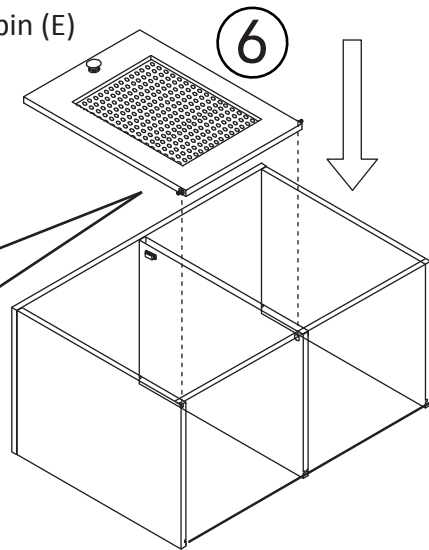
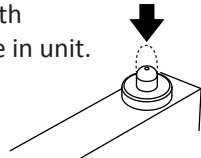


Step 4

1. Insert door ⑥ into unit by placing one end of spring pin (E) into hole, gently compress other spring pin (E) so that it will slide into remaining hole.

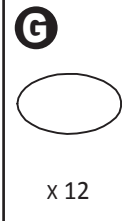
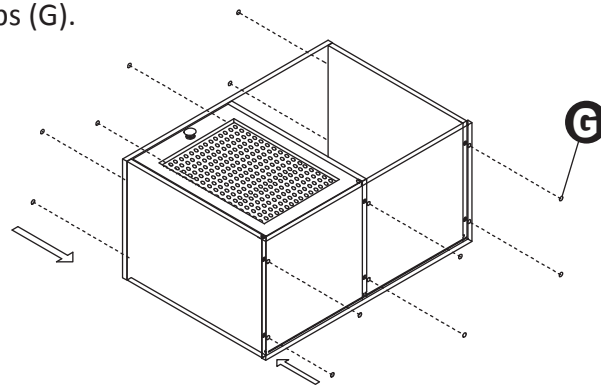
TO ATTACH DOORS

Push door spring pin (E) **Push** down. Align with pre-drilled hole in unit. Release.



Step 5

1. Cover the screw holes with caps (G).



Step 6

Enjoy!

