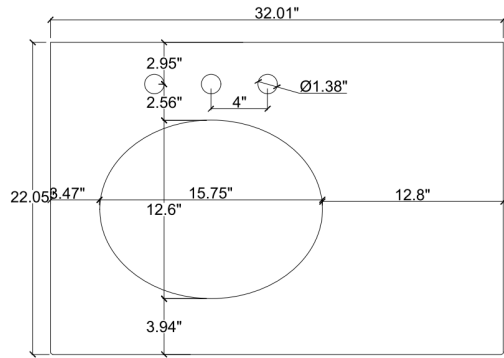
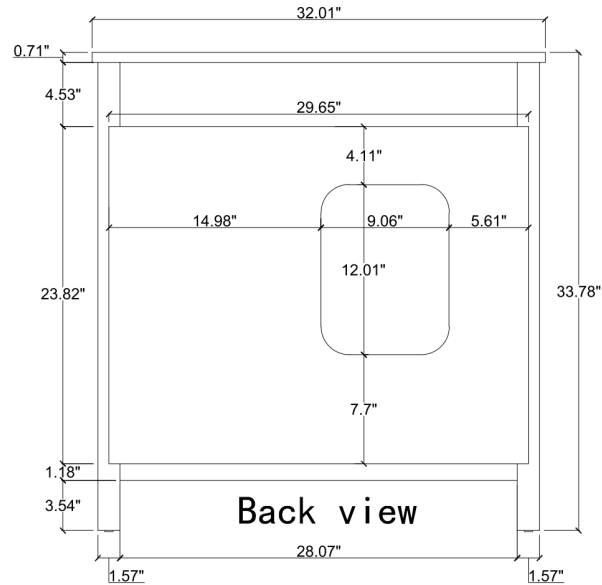


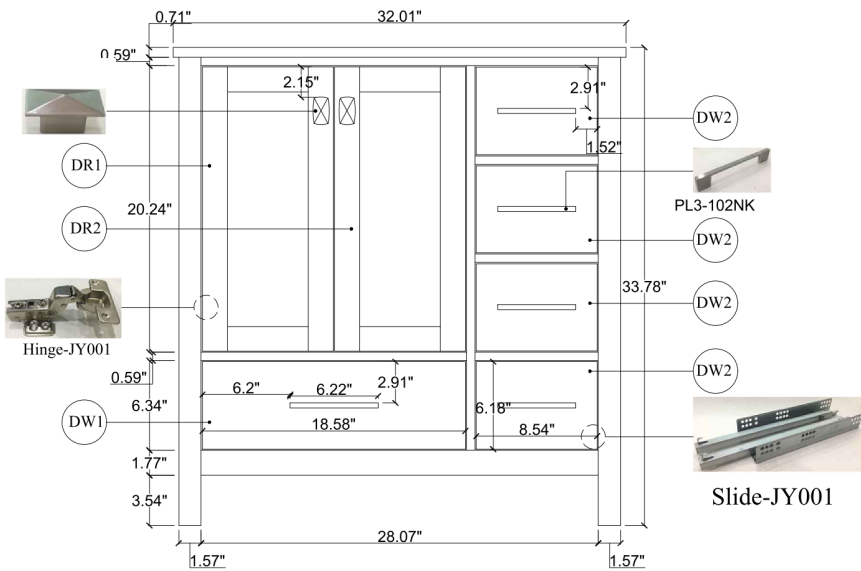
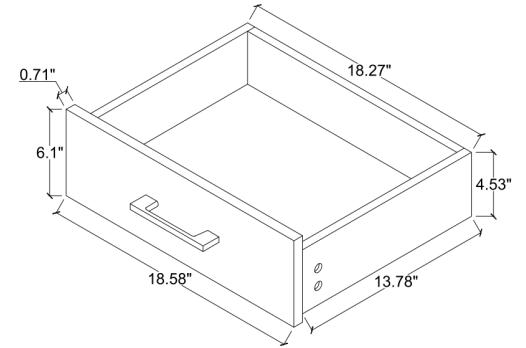
**MODEL NO.:**  
**VF18832GR**  
**Version:5.6.2021**



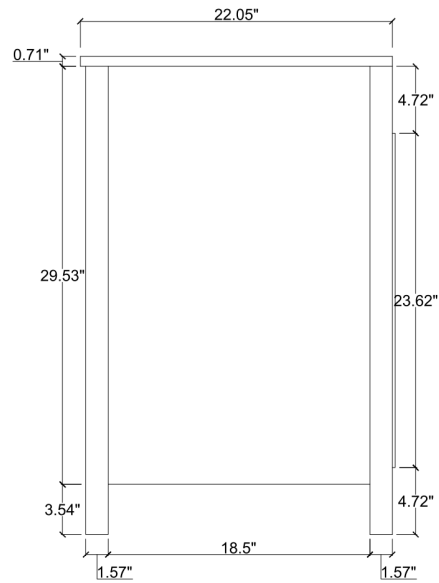
Top view



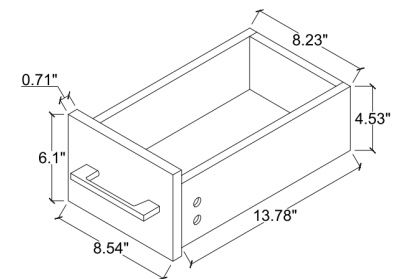
Back view



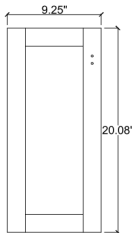
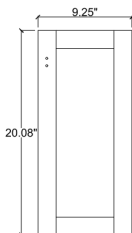
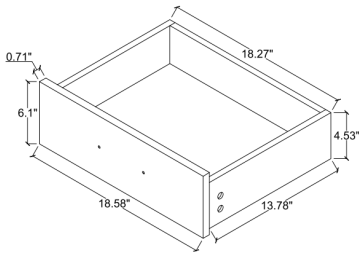
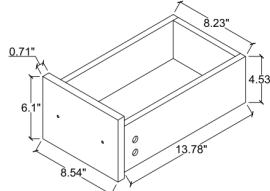
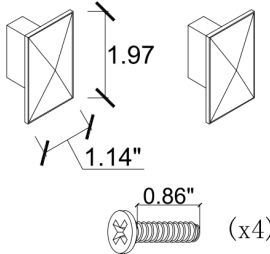
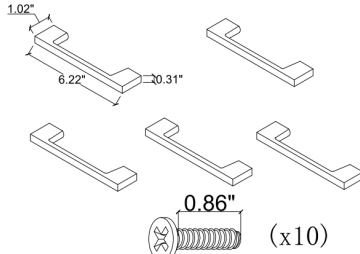
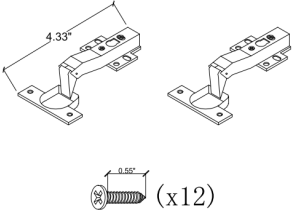
Front view

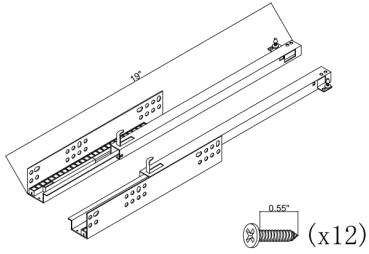
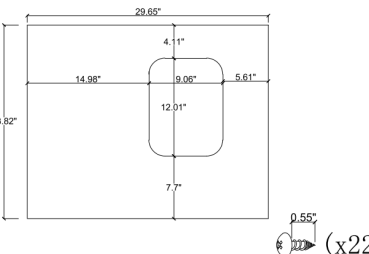
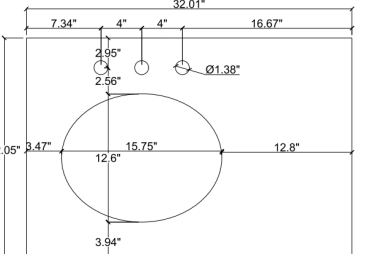


Side view



Drawer Interior Size

| Parts Number    | Picture   | Description  | qty | Diagram number |
|-----------------|---|--|-----|----------------|
| P-VF18832GR-DR1 |    | left door<br>( Grey )  | 1   | DR1            |
| P-VF18832GR-DR2 |    | Right door<br>( Grey )   | 1   | DR2            |
| P-VF18832GR-DW1 |    | left drawer<br>( Grey )  | 1   | DW1            |
| P-VF18832GR-DW2 |   | Right drawer<br>( Grey )   | 4   | DW2            |
| PL3-K42NK-2PK   |  | Pull (set of 2)<br>1.97"(50mm)<br>(brushed nickel)<br>Door Pull Screws ( 4 )<br>M4*0.86"(22mm)     | 1   | PL3-K42NK      |
| PL3-102NK-5PK   |  | Pull (set of 5)<br>6.22"(158mm)<br>(brushed nickel)<br>Drawer Pull Screws ( 10 )<br>M4*0.86"(22mm) | 1   | PL3-102NK      |
| Hinge-JY001-2PK |  | Hinge(set of 2)<br>Screws (set of 12)<br>M4*0.55"(14mm)<br>( Nickel )                              | 2   | Hinge-JY001    |

| Parts Number    | Picture   | Description   | qty | Diagram number |
|-----------------|---|---|-----|----------------|
| Slide-JY001-2PK |  | <p>Drawer Slide (2)<br/>Screws (set of 12)<br/>M4*0.55"(14mm)<br/>(Nickel)</p>  | 5   | Slide-JY001    |
| P-VF18832GR-BP  |  | <p>Back panel (Grey)<br/>Screws (set of 22)<br/>M4*0.55"(14mm)<br/>(Nickel)</p> | 1   | Back panel     |
| TP-VF18832CW    |  | <p>Countertop &amp; sink<br/>calacatta white quartz</p>                         | 1   | TP-VF18832CW   |
|                 |   |   |     |                |
|                 |   |   |     |                |
|                 |   |   |     |                |
|                 |   |   |     |                |