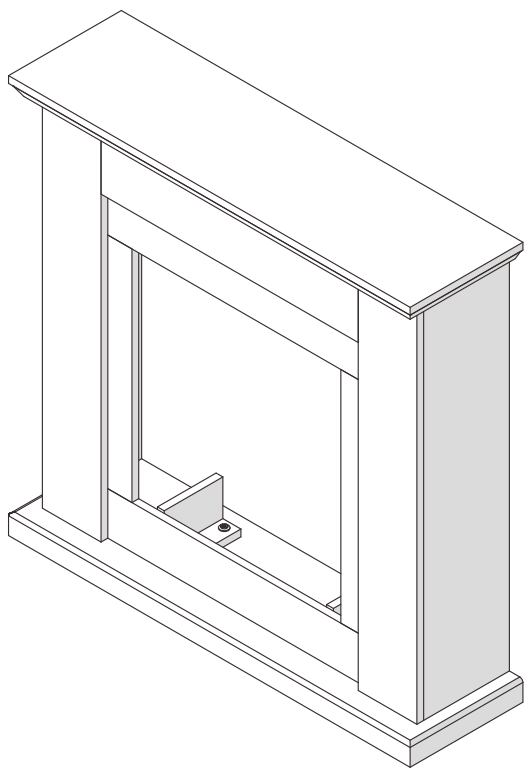
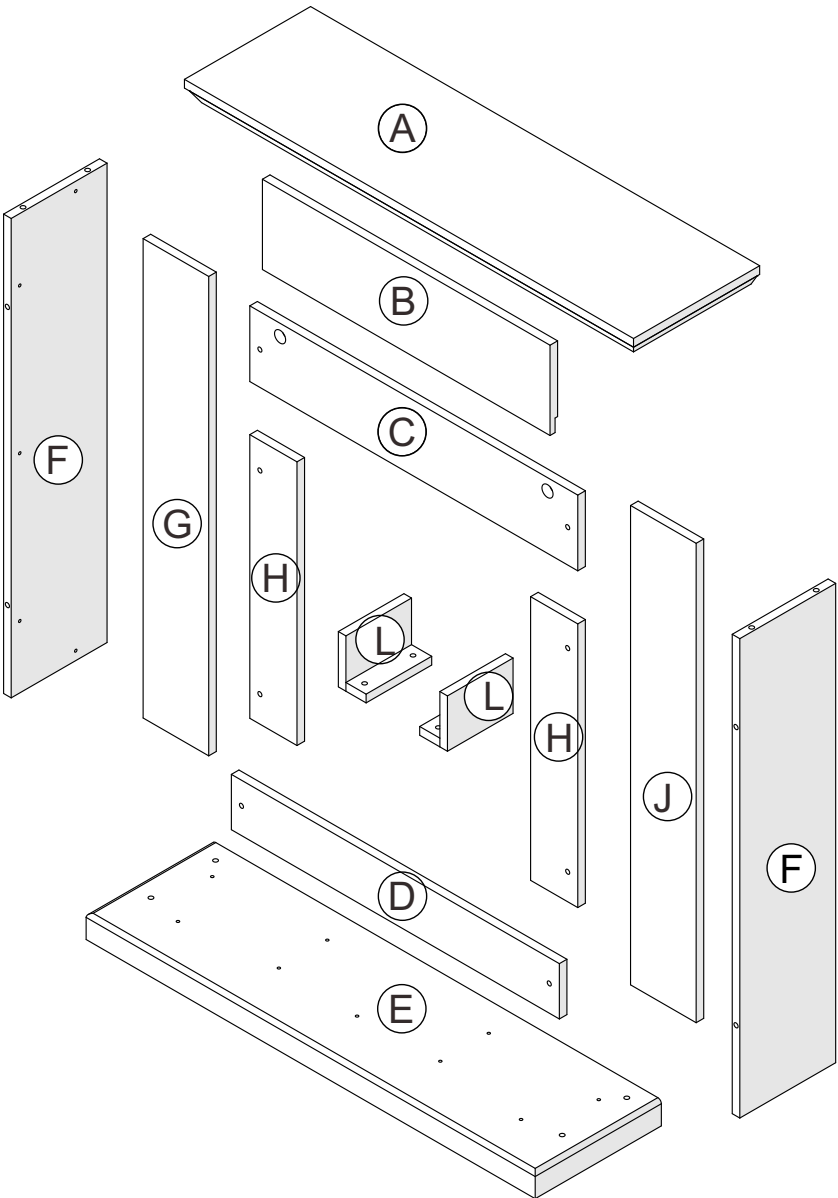


FIREPLACE MANTEL

ASSEMBLY INSTRUCTIONS



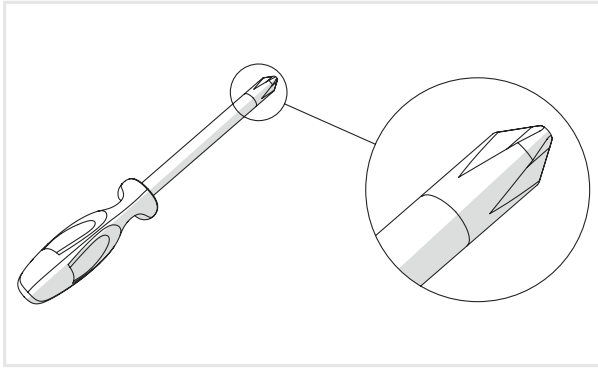
PARTS LIST


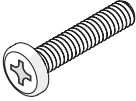
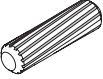
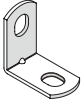
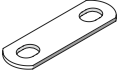




PARTS AND ACCESSORIES

Tools required:

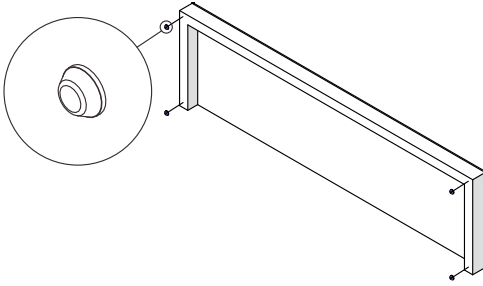
A screwdriver will be needed.



MT374B	 39 x M6x12mm	 13 x M6x28mm	 13 x ø 8x30mm
 18 x	 3 x	 6 x	 13 x

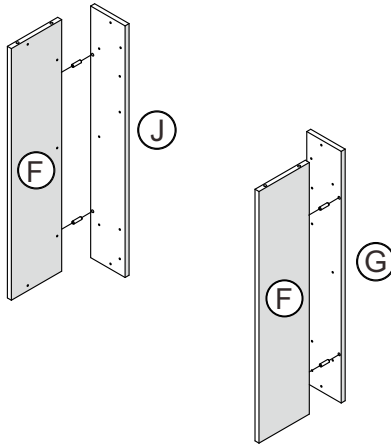
ASSEMBLY INSTRUCTIONS

01



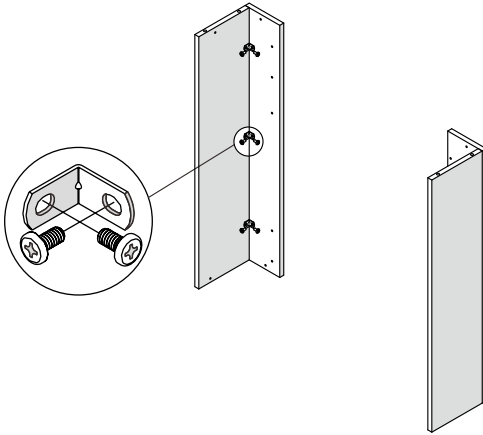
Carry out this assembly step on both sides

02



Carry out this assembly step on both sides

03



12x

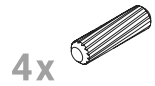
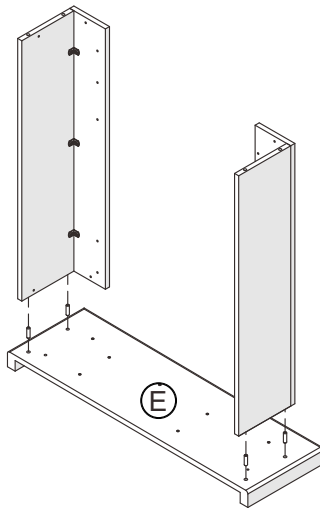
M6x12mm



6x

Carry out this assembly step on both sides

04

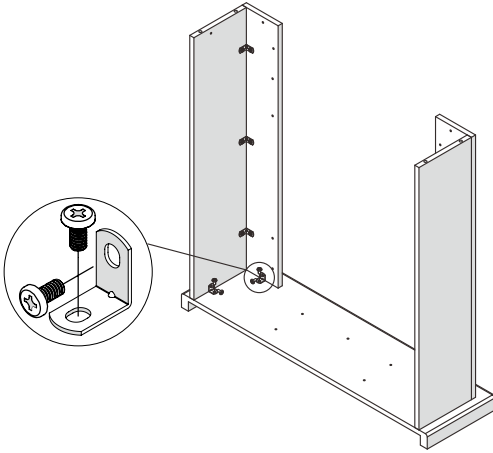


4x

ø 8x30mm

Carry out this assembly step on both sides

05



8x



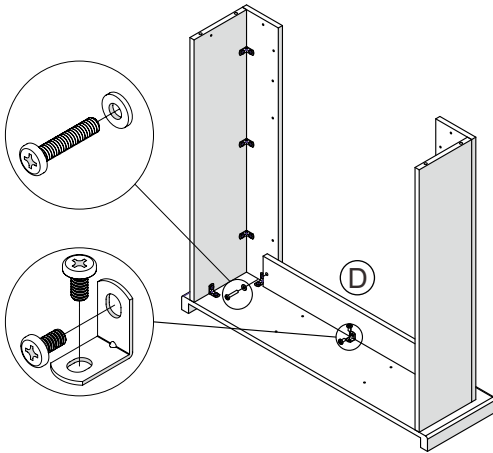
M6x12mm

4x



Carry out this assembly step on both sides

06



2x



M6x12mm

2x



M6x28mm

1x

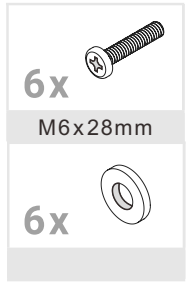
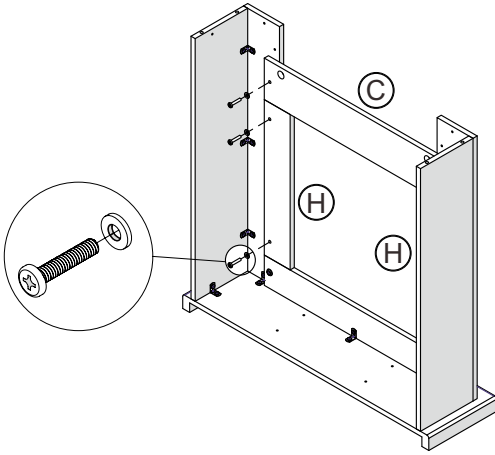


2x



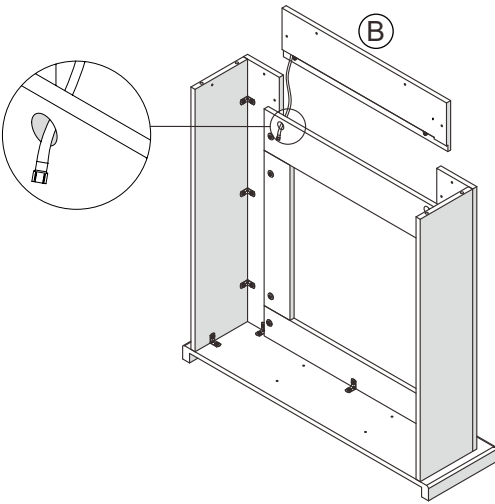
Carry out this assembly step on both sides

07

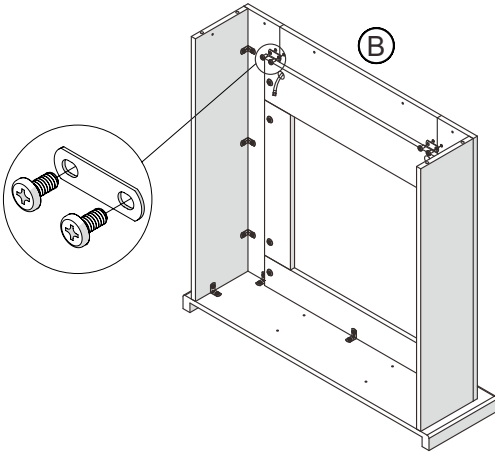


Carry out this assembly step on both sides

08



09



4x



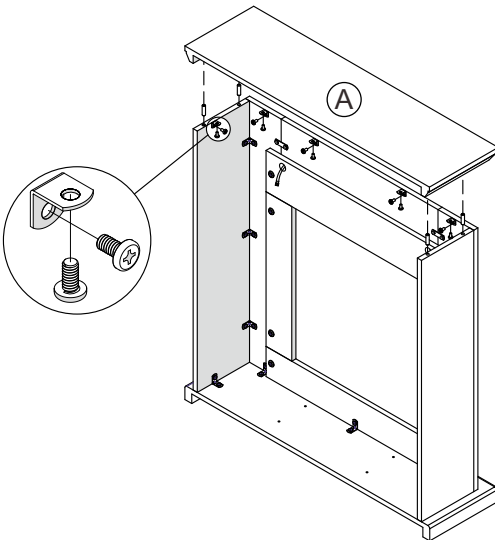
M6x12mm

2x



Carry out this assembly step on both sides

10



12x



M6x12mm

6x



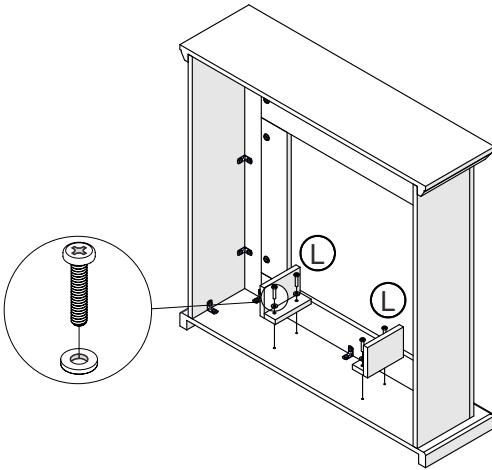
4x



∅ 8x30mm

Carry out this assembly step on both sides

11



4x



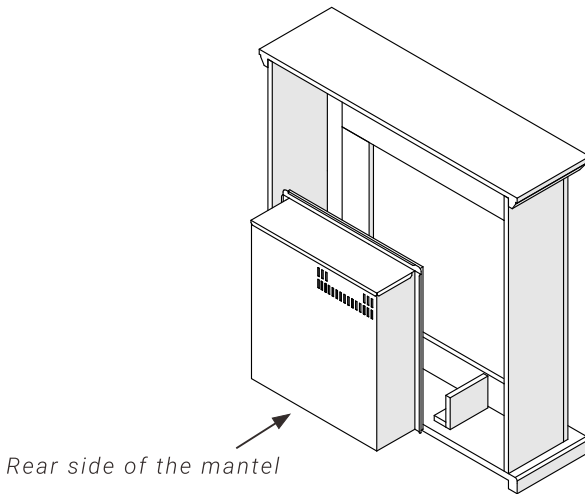
M6x28mm

4x



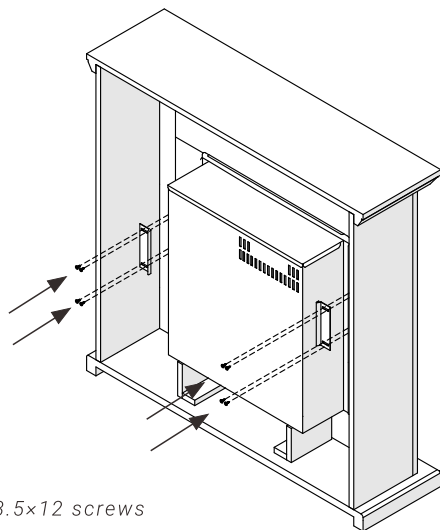
Carry out this assembly step on both sides

12



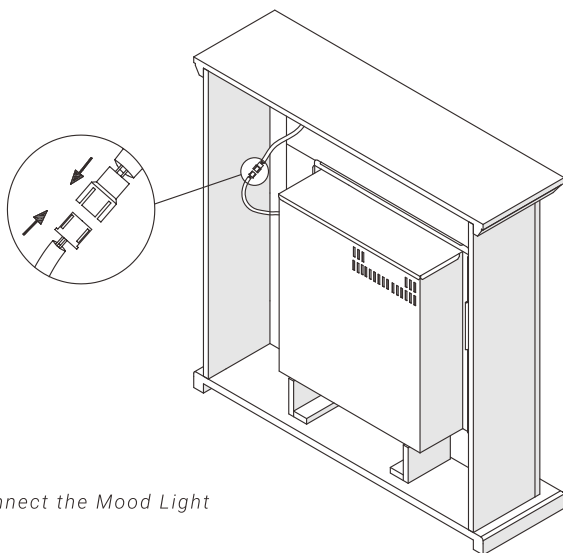
Rear side of the mantel

13



Use 8 pcs ST3.5×12 screws

14



Connect the Mood Light