

Assembly Instructions

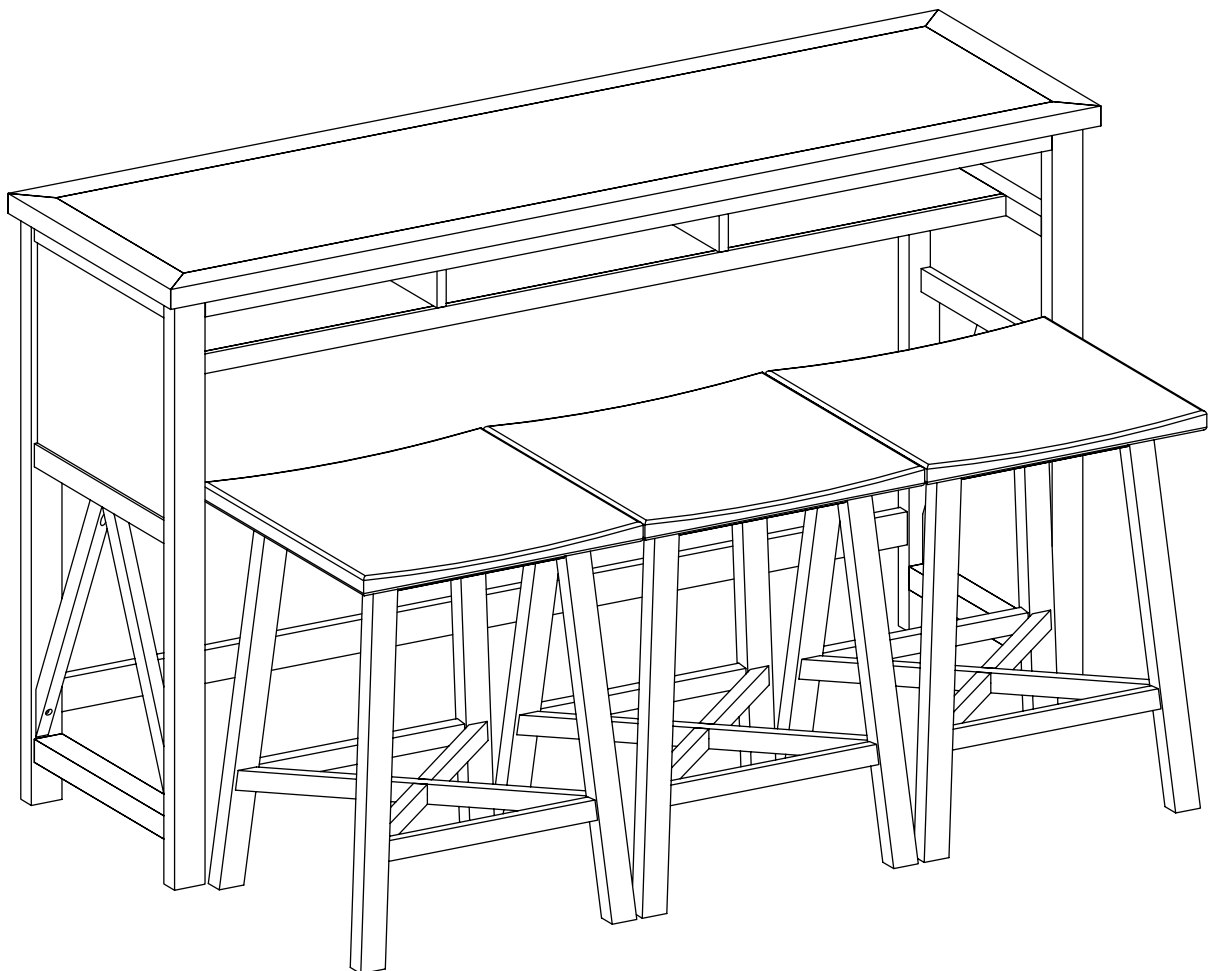
ITEM NO. WF 306276

DINING SET

Thank you for purchasing this quality product. Be sure to check all packing materials carefully for small parts, which may have come loose inside the carton during shipment. Identify and count all items and compare with the PARTS LIST and/or HARDWARE LIST shown below.

Caution: Please read the instructions thoroughly before assembly.

1. We recommend that you assemble this product with the assistance of another person; this will make the assembly easier, and will help eliminate damage to the product or injury to persons during assembly.
2. Please do not over tighten screws or bolts until the assembly is completed.
3. Please put all parts on a non-abrasive floor before assembly, and follow the assembly steps to assemble your newly purchased product correctly and efficiently.


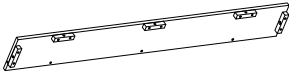

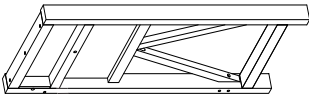
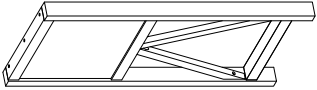
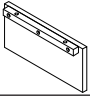
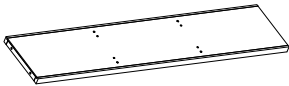

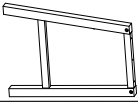
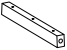
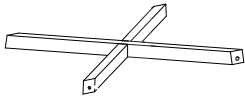
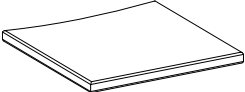


Assembly Instructions


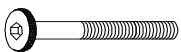
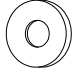



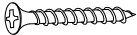
ITEM NO. WF 306276

DINING SET

PARTS LIST

NO.	COMPONENT	SKETCH	QTY.
A	Table Top		1PC
B	Back Panel		1PC
C	Front Bar		1PC
D	Leg (Right)		1PC
E	Leg (Left)		1PC
F	Middle Panel		2PCS
G	Shelf		1PC
H	Support Leg		1PC
I	Legs of Stool		6PCS
J	Cross Bar		6PCS
K	X Bar		3PCS
L	Seat of Stool		3PCS

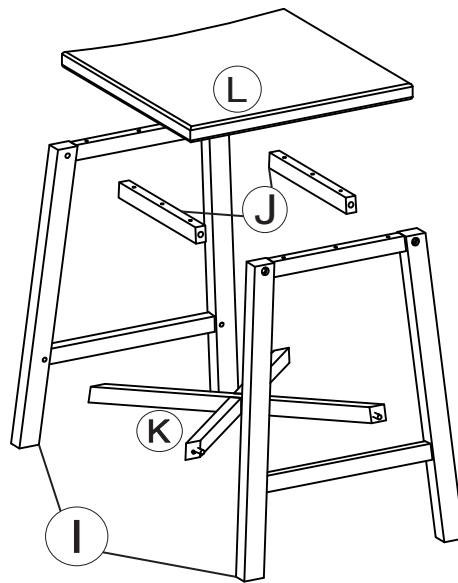
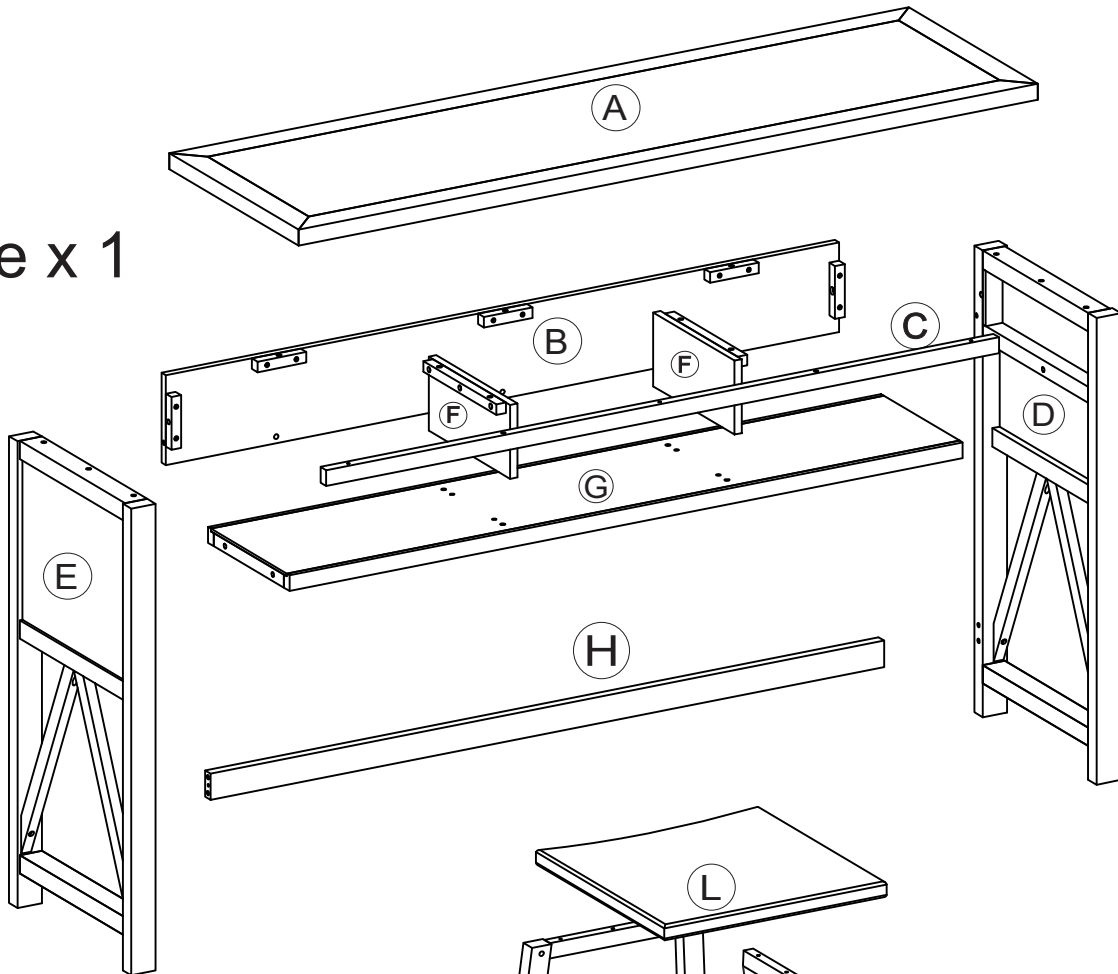
HARDWARE LIST

NO.	COMPONENT	SKETCH	QTY.
1	Short Bolt 1/4 * 1"		16PCS
2	Long Bolt 1/4 * 2"		22PCS
3	Flat Washer 1/4" DIA		38PCS
4	Spring Washer 1/4" DIA		38PCS
5	ALLEN KEY M4		1PC
6	WOODEN DOWEL #8 * 30		30PCS
7	WOOD SCREW #8 * 1 2/5"L		53PCS

Assembly Instructions

ITEM NO. WF 306276
DINING SET

Table x 1



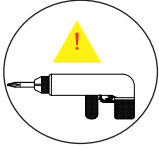
Stool x 3

Assembly Instructions

ITEM NO. WF 306276

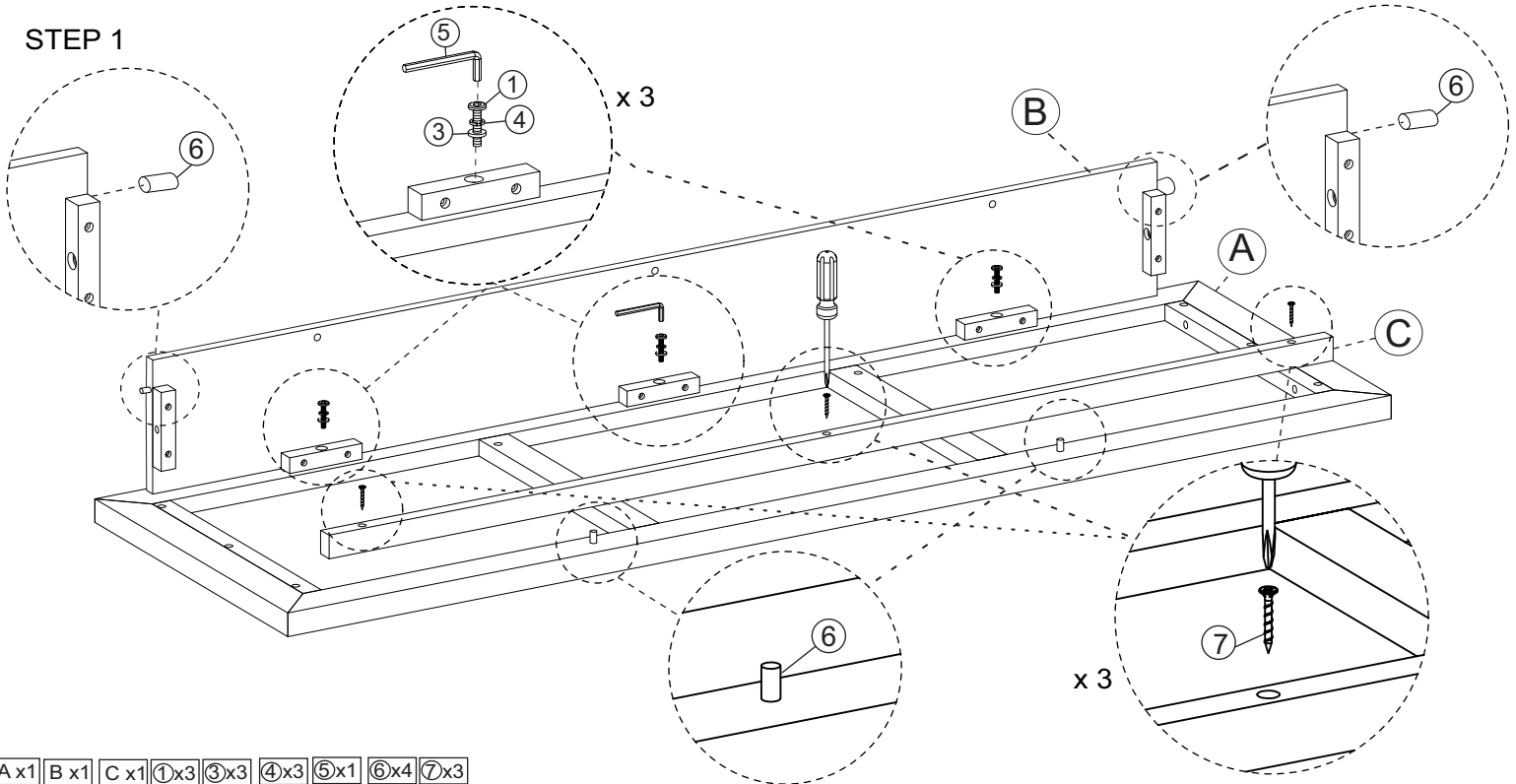
DINING SET

ASSEMBLY TOOLS REQUIRED (NOT INCLUDED)



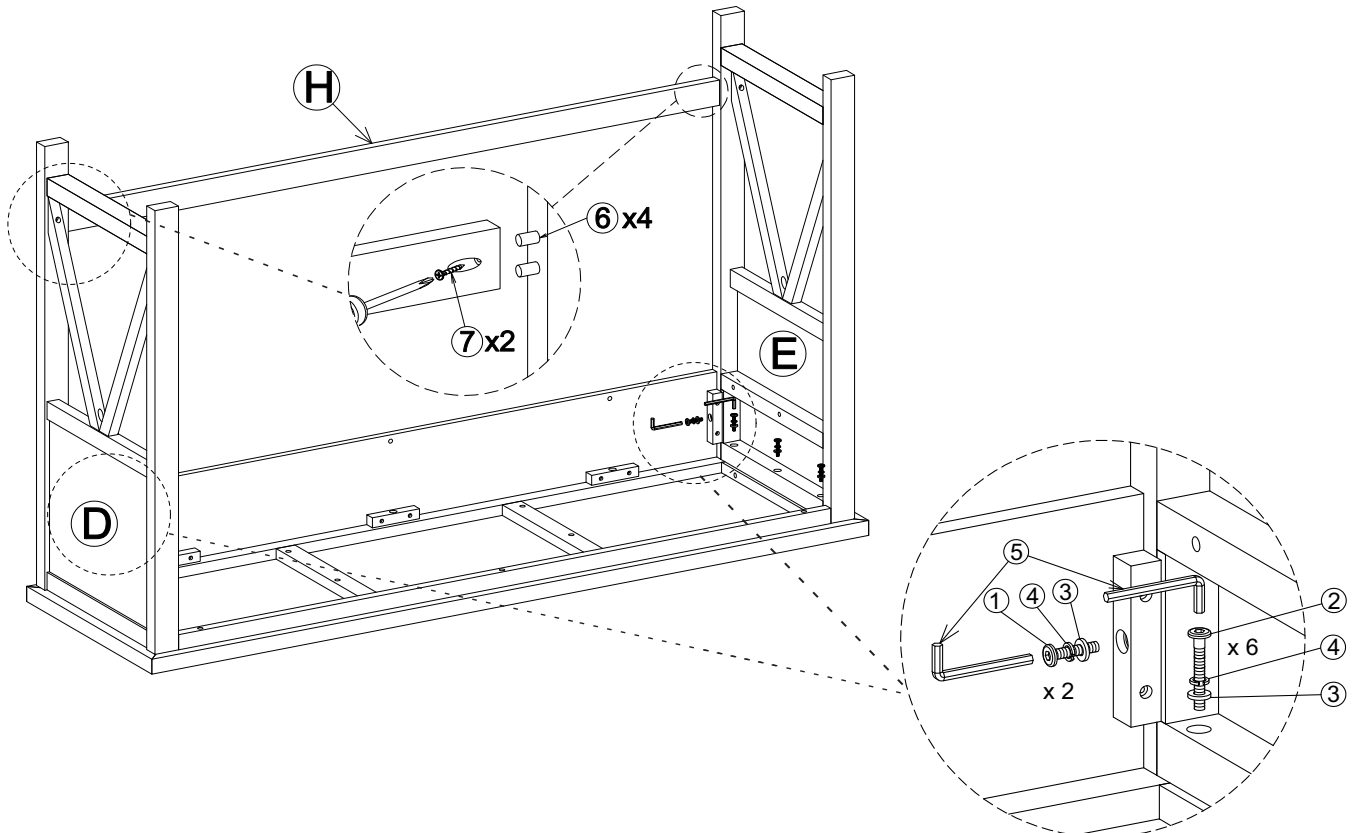
PLEASE BE CAREFUL DO NOT DAMAGE THE HOLE POSITION WHEN YOU USE POWERTOOLS!

STEP 1



A x1 B x1 C x1 ① x3 ③ x3 ④ x3 ⑤ x1 ⑥ x4 ⑦ x3

STEP 2



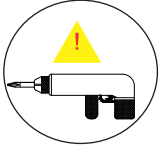
D x1 E x1 H x1 ① x2 ② x6 ③ x8 ④ x8 ⑤ x1 ⑥ x4 ⑦ x2

MADE IN VIETNAM

PAGE: 4 OF 8

Assembly Instructions

ITEM NO. WF 306276
DINING SET

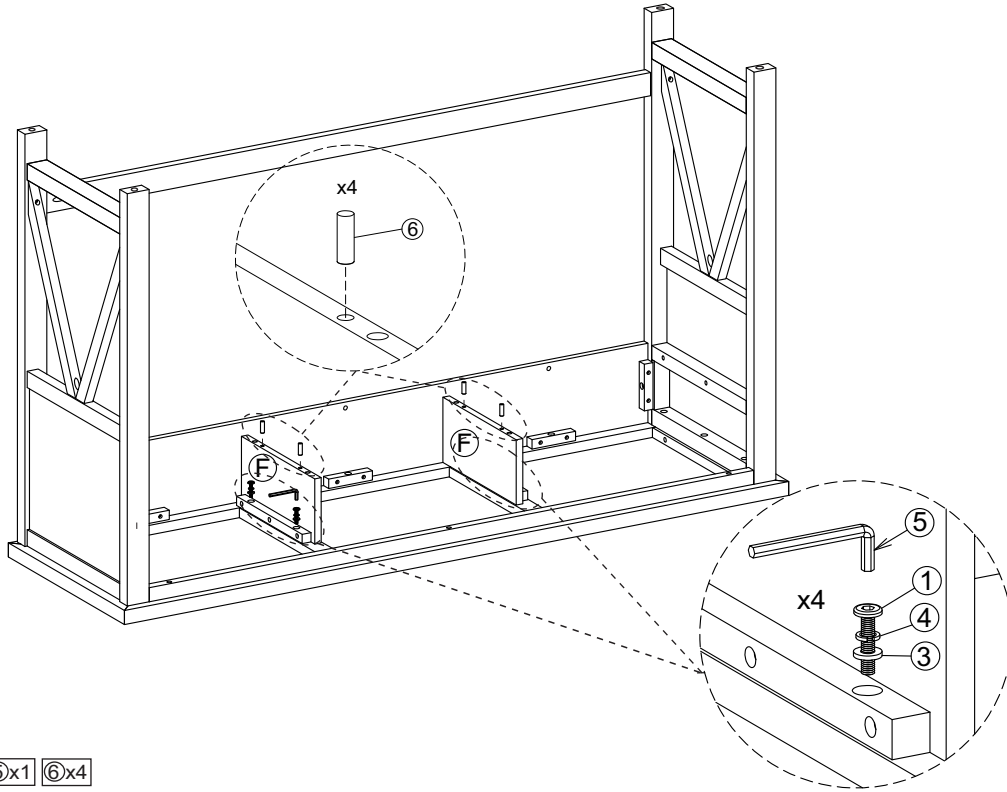


ASSEMBLY TOOLS REQUIRED (NOT INCLUDED)



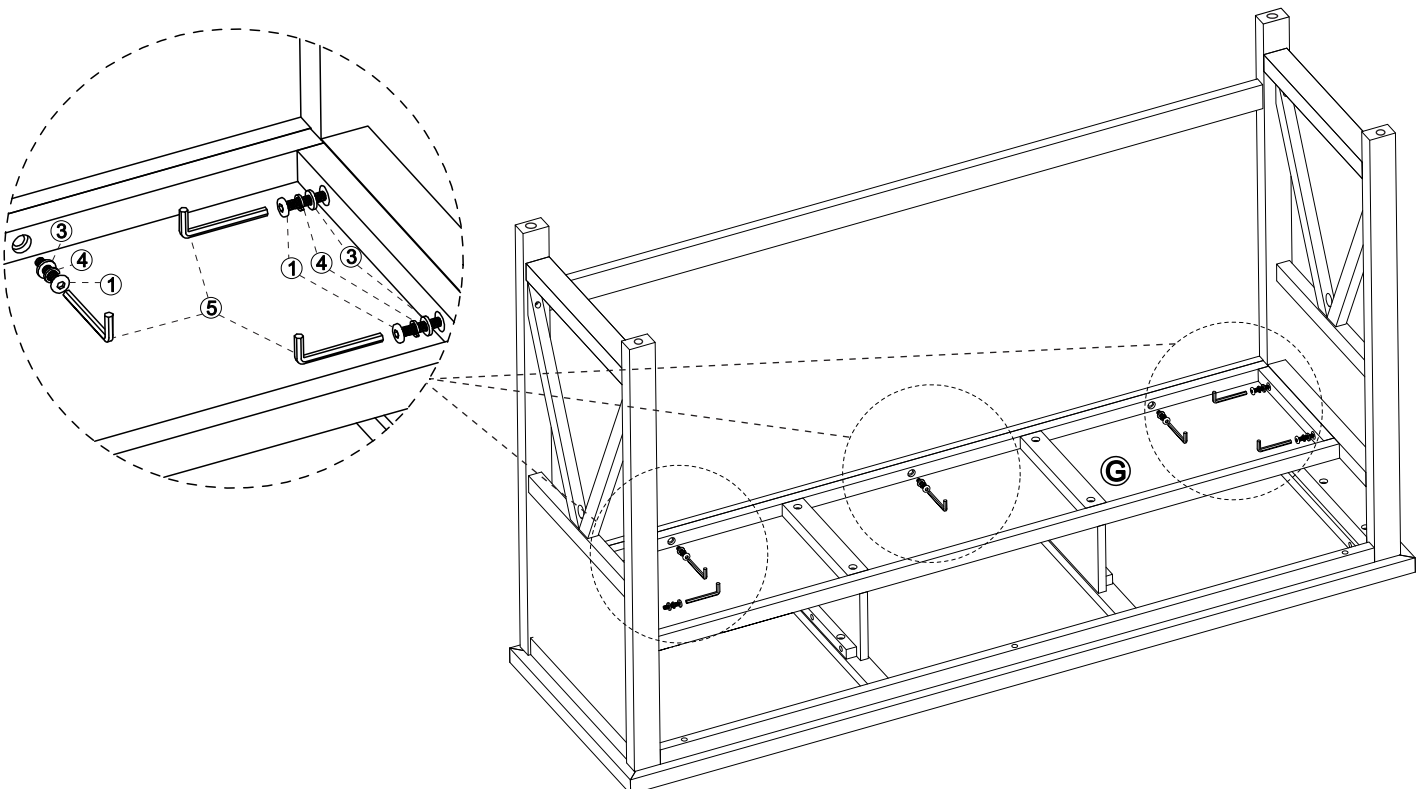
PLEASE BE CAREFUL DO NOT DAMAGE THE HOLE POSITION WHEN YOU USE POWERTOOLS!

STEP 3



F x2 ①x4 ③x4 ④x4 ⑤x1 ⑥x4

STEP 4



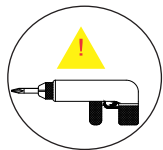
G x1 ①x7 ③x7 ④x7 ⑤x1

MADE IN VIETNAM

PAGE: 5 OF 8

Assembly Instructions

ITEM NO. WF 306276
DINING SET

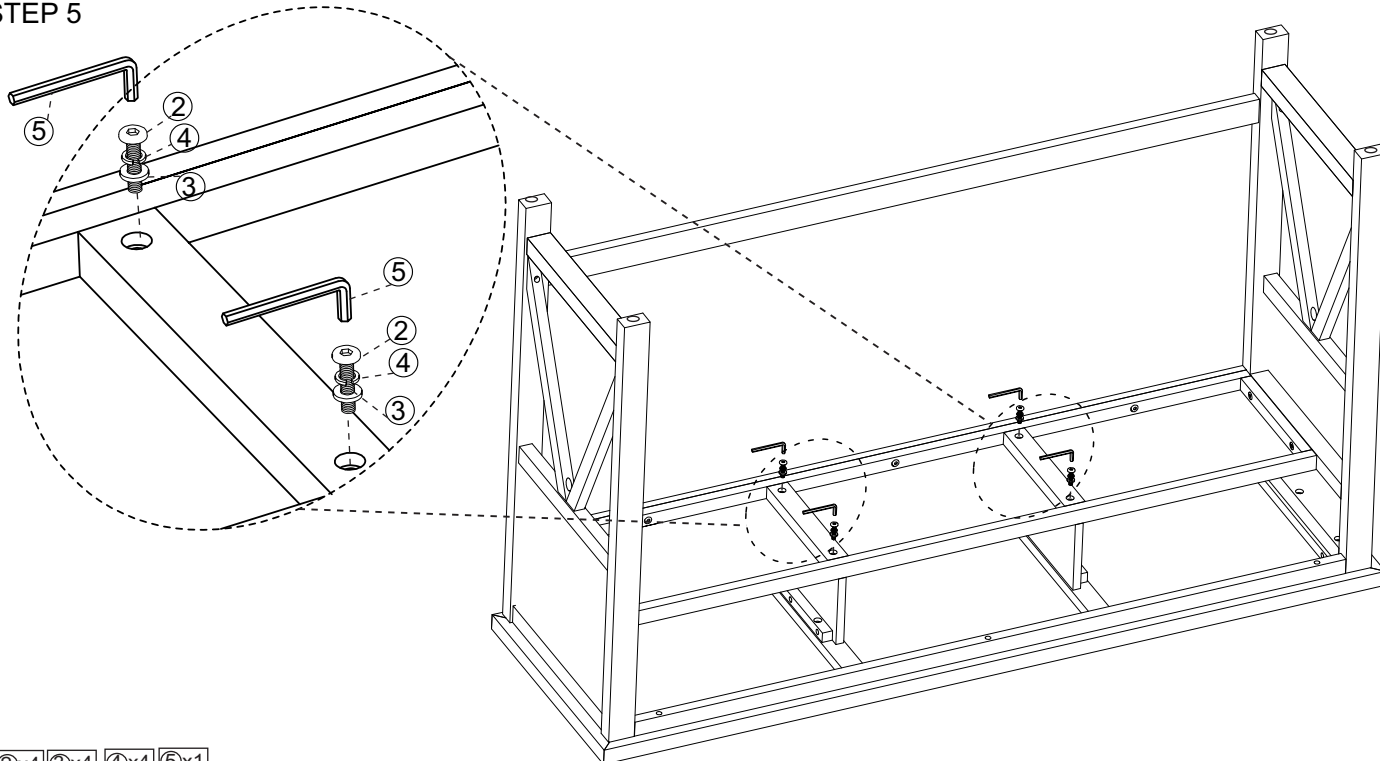


ASSEMBLY TOOLS REQUIRED (NOT INCLUDED)



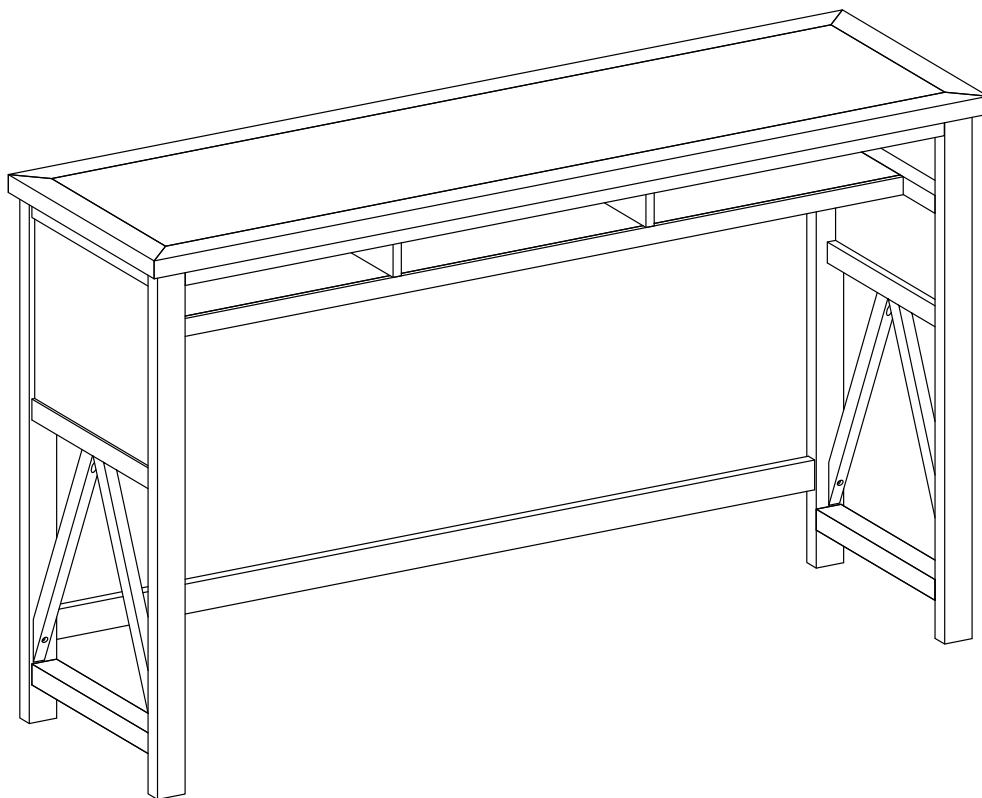
PLEASE BE CAREFUL DO NOT DAMAGE THE HOLE POSITION WHEN YOU USE POWERTOOLS!

STEP 5



②x4 ③x4 ④x4 ⑤x1

STEP 6



Assembly Instructions

ITEM NO. WF 306276
DINING SET

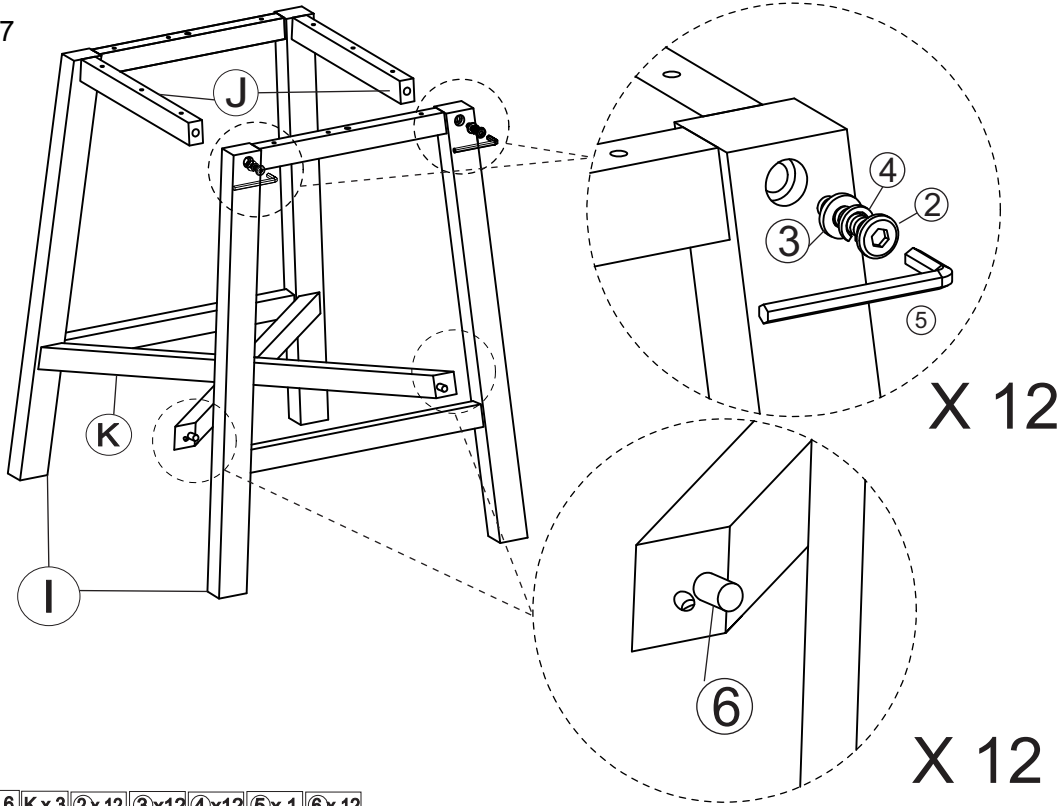


ASSEMBLY TOOLS REQUIRED (NOT INCLUDED)



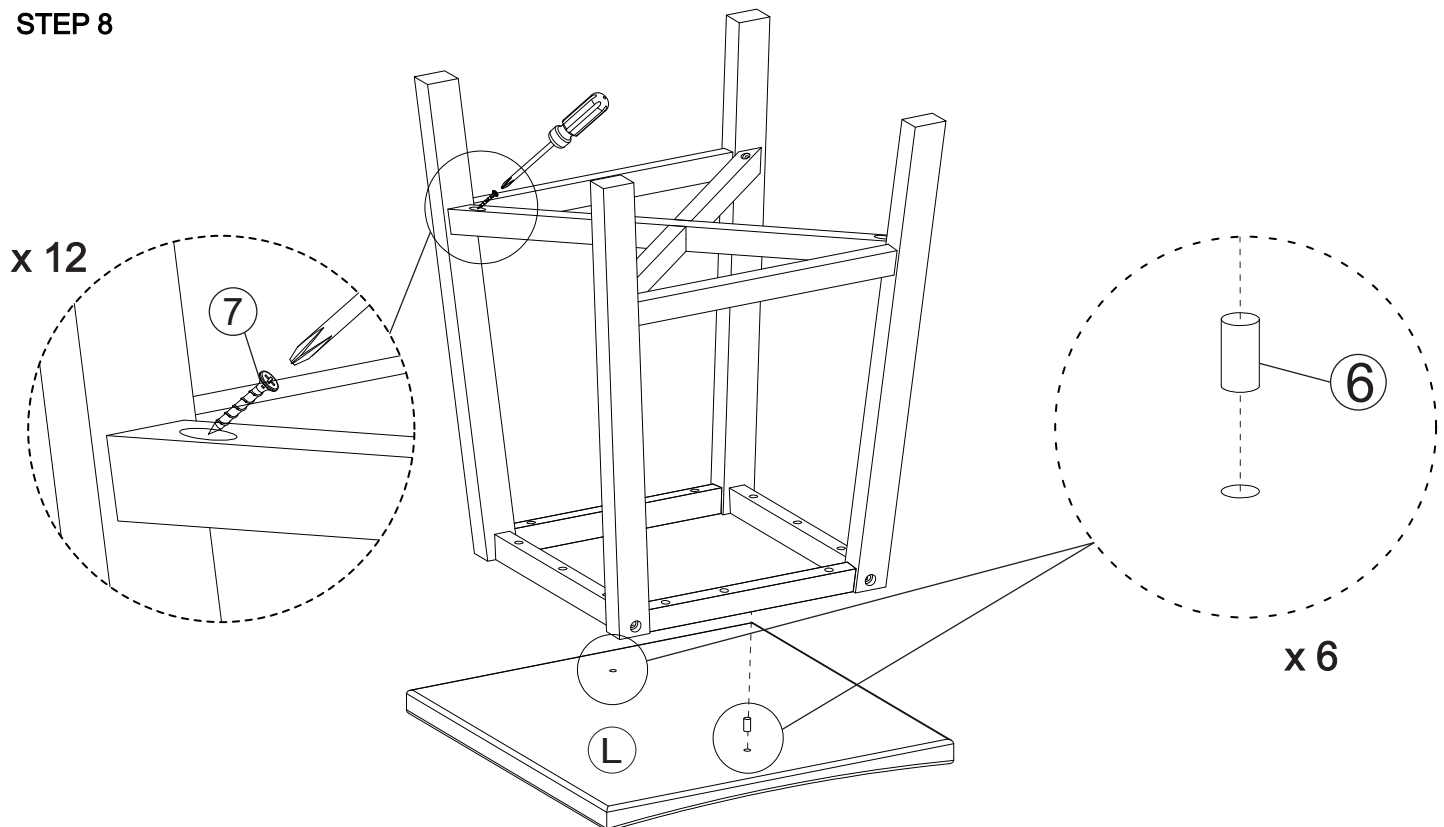
PLEASE BE CAREFUL DO NOT DAMAGE THE HOLE POSITION WHEN YOU USE POWERTOOLS!

STEP 7



I x 6 J x 6 K x 3 2 x 12 3 x 12 4 x 12 5 x 1 6 x 12

STEP 8



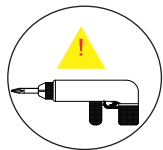
L x 3 6 x 6 7 x 12

MADE IN VIETNAM

PAGE: 7 OF 8

Assembly Instructions

ITEM NO. WF 306276
DINING SET

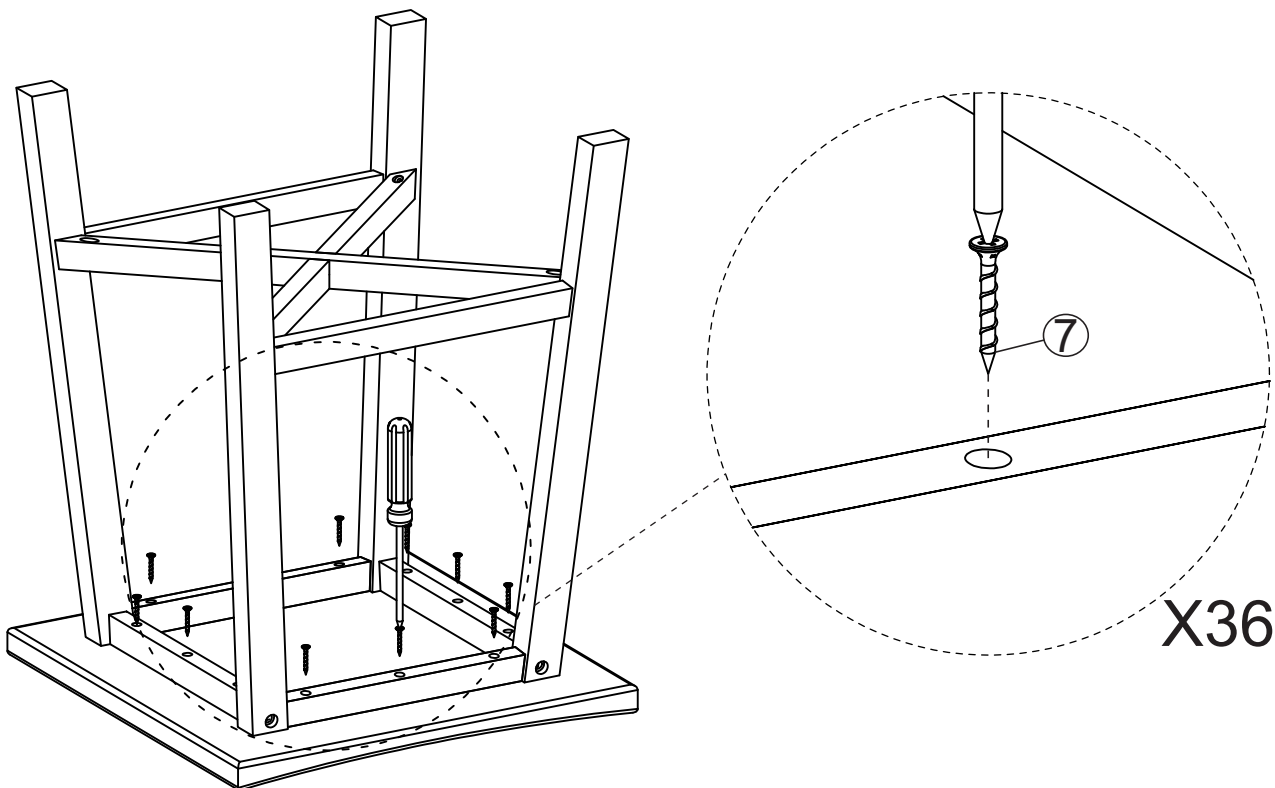


ASSEMBLY TOOLS REQUIRED (NOT INCLUDED)



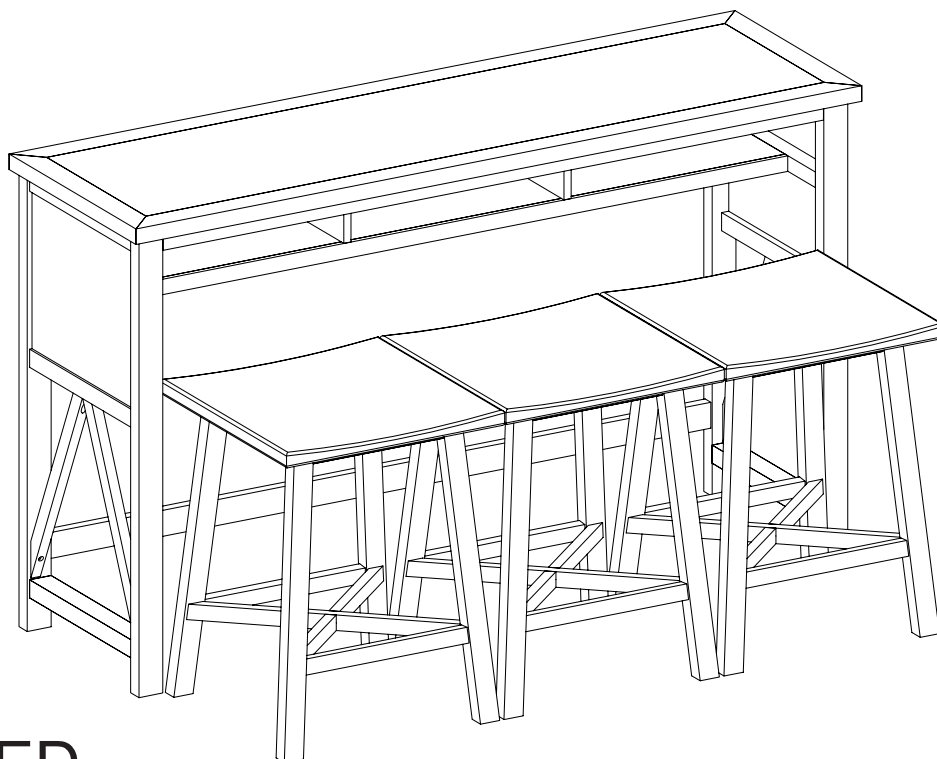
PLEASE BE CAREFUL DO NOT DAMAGE THE HOLE POSITION WHEN YOU USE POWERTOOLS!

STEP 9



7 x36

STEP 10



FINISHED

MADE IN VIETNAM

PAGE: 8 OF 8