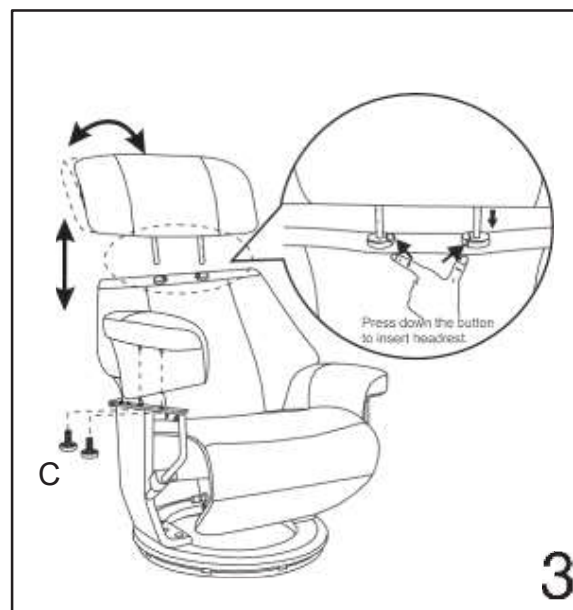
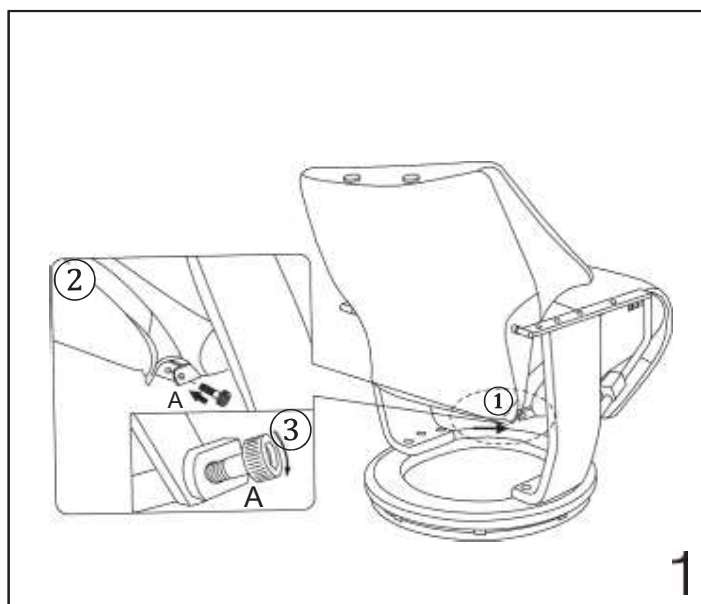
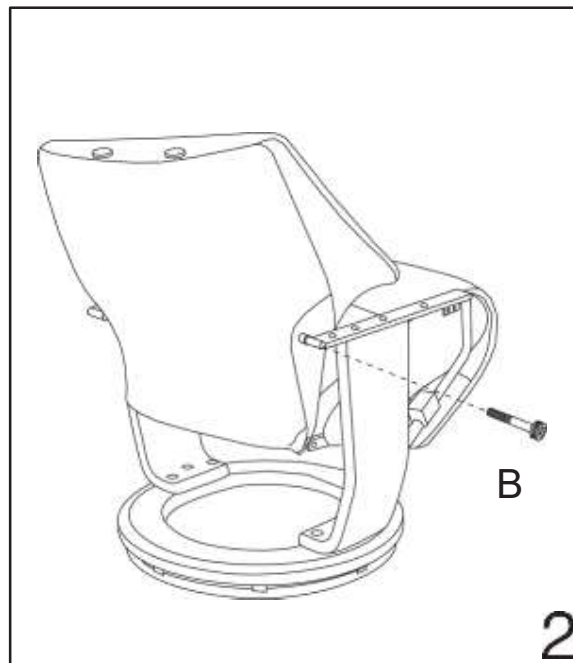








Installation & Assembly



DURING ASSEMBLY CHECK AND TIGHTEN ALL BOLTS

A	 M8X35	2PCS	B	 M8X70	2PCS	C	 M6X20	4PCS
D		1PC	E	 M6X16	2PCS	F		1SET

