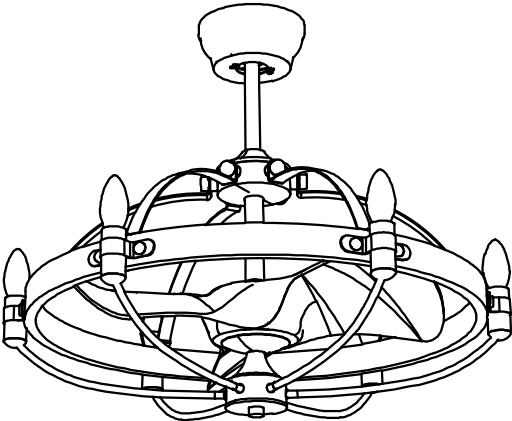
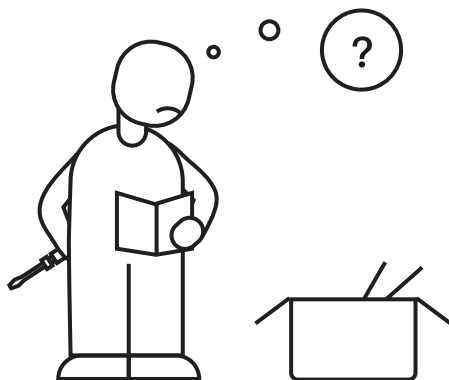


Manual Book

Ceiling Fan With Lights

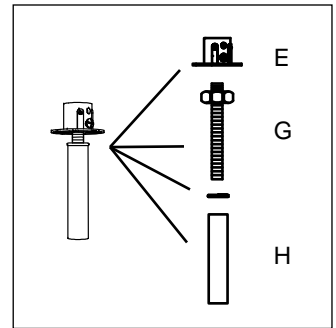
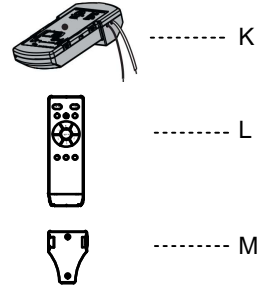
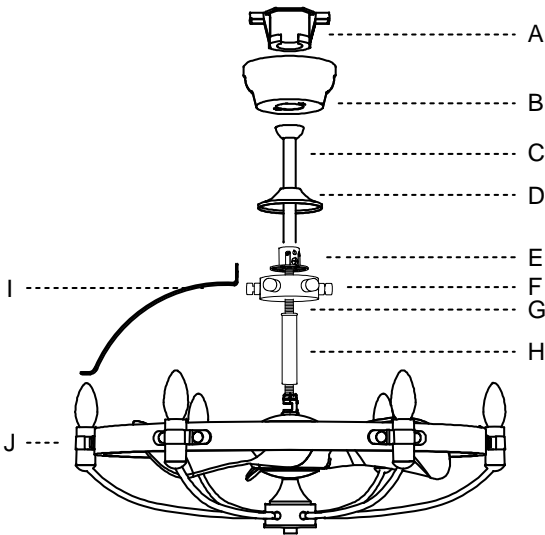




Please contact us with the following information:

1. Screenshot of your order page, including product picture, name, and order ID number.
2. Problem details with pictures / short video if possible.

Packing List



NOTE: "E", "G", and "H" are packed together in the box.

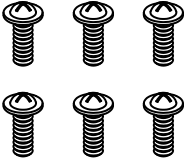
Part	Description	Quantity
A	Mounting Bracket	1
B	Canopy	1
C	Downrod	3
D	Coupling Cover	1
E	Downrod Hub	1
F	Shade Arm Hub	1
G	Threaded Tube	1

Part	Description	Quantity
H	Downrod Tube	1
I	Shade Arm	6
J	Fan Shade	1
K	Remote Receiver	1
L	Remote Control	1
M	Remote Holder	1

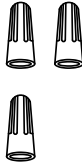
NOTE:

1. Downrod: short x 1; medium x 1; long x 1
2. Remote control requires AAA 1.5V batteries x 2pcs (not included)

Installation kit



AA



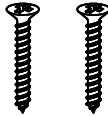
BB



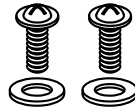
CC



DD



EE



FF

Part	Description	Quantity
AA	Downrod Hub Screw	6
BB	Wire Nut	3
CC	Pair of Gloves	1
DD	Clevis Pin & "R" Pin (assembled)	1 Set
EE	Wood Screw (optional)	2
FF	Machine Screw & Washer for Outlet Box (spares)	2

Note:

Additional hardware may be included. The quantity listed above indicates the number required for the installation.

Safety Rules

1. Be sure the power to the wires you are working on is disconnected, either the fuse is removed or the circuit breaker is turned off. Turning the power off using the light switch is not sufficient to prevent electrical shock.
2. A qualified licensed electrician is required for the installation.
3. The outlet box and support structure must be securely mounted and capable of reliably supporting a minimum of 70 pounds. Use only UL (cUL for Canadian Installation) listed mounting boxes marked "FOR FAN SUPPORT".
4. The fan must be mounted with a minimum of 7 feet clearance from the trailing edge of the blades to the floor.
5. Do not operate reversing switch while fan blades are in motion (if applicable). Fan must be turned off and blades stopped before reversing blade direction.
6. Do not place any objects in the path of the blades.
7. To avoid personal injury or damage to the fan and other items, be cautious when working around or cleaning the fan.
8. Do not use water or detergents when cleaning the fan or fan blades. A dry dust cloth or lightly dampened soft cloth will be suitable for the cleaning.
9. After marking electrical connections, spliced conductors should be turned upward and pushed carefully up into outlet box. The wires should be spread apart with the grounded conductor on one side of the outlet box.
10. Electrical diagrams are reference only, different fan light may have different light shade and bulbs.
11. Use only our replacement parts. This equipment has been tested and found to comply with the limits for a class B digital device, pursuant to part 15 of the FCC Rules. These limits are to provide reasonable protection against harmful interference in a residential installation. This equipment generates, uses and can radiate radio frequency energy and if not installed and used in accordance with the instructions may cause harmful interference to radio communications.

Warning:

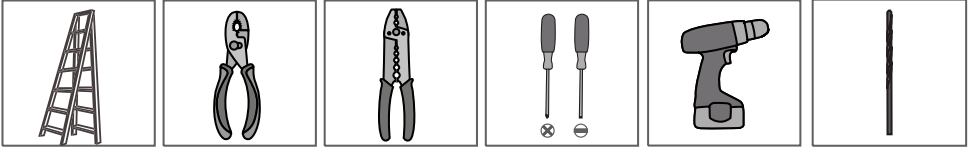
To reduce the risk of personal injury, use only the two steel screws and washers provided with the outlet box for mounting to the outlet box. Most outlet boxes commonly used for the support of lighting fixtures are not acceptable for fan support and need to be replaced, consult a qualified electrician if in doubt.

To reduce the risk of fire, electric shock or person injury, mount fan to outlet box marked "acceptable for fan support".

To reduce the risk of personal injury, do not bend the blade brackets (also referred to as flanges) during assembly or after installation. Do not insert objects in the path of the blades.

Installation Preparation

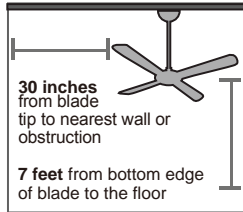
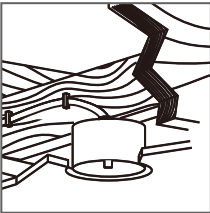
Tools You Need



- Ladder
- Pliers
- Wire Strippers
- Screwdrivers
- Power Drill (optional)
- Drill Bit (optional)

If mounting to a support structure, you will also need the optional tools.

What to Expect with Your Installation



- Must be able to secure the fan to building structure or fan-rated outlet box
- Assess location
- Check box to see fan weight

Step 1. Threaded Tube Assembly

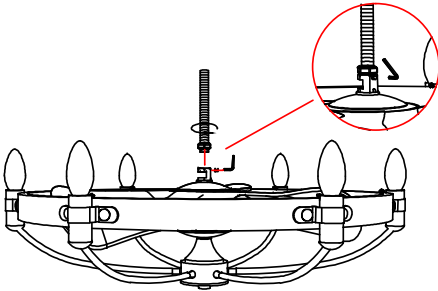


Fig. 1

1. Assemble the Threaded Tube

Step 1. Take off the threaded tube from the downrod hub.

Step 2. Pass the wires through the threaded tube, twist the threaded tube into the connector and tighten a screw to secure it. Remember that it needs to be reinforced from the side with screws (Fig. 1).

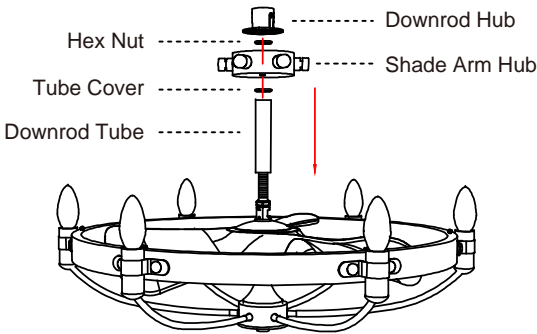


Fig. 2

2. Secure the Shade Arm Hub

Pass the wires through the downrod tube, tube cover, shade arm hub, hex nut, and downrod hub in sequence and fix them in order. Please note that the shade arm hub needs to be secured with a hex nut before installing the downrod hub (Fig. 2).

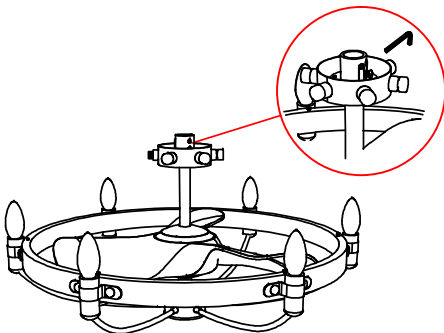


Fig. 3

3. Reinforce the Downrod Hub

Be sure to lock the downrod hub from the side with set screws (Fig. 3).

Step 2. Shade Arm Assembly

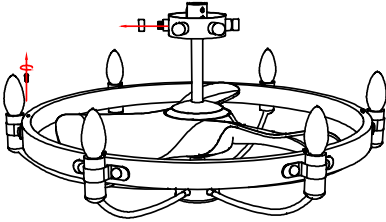


Fig. 4

4. Take off screws

Take off screws from the fan shade and shade arm hub (Fig. 4).

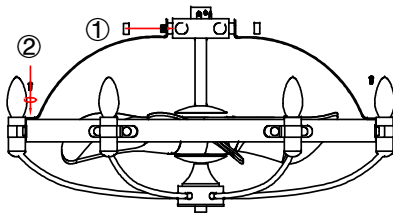


Fig. 5

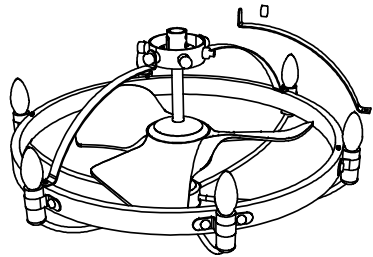


Fig. 6

5. Assemble the Shade Arms

Secure the shade arms to the fan shade and the shade arm hub (Fig. 5).

NOTE:

1. Install the two opposing shade arms first to elevate the fan shade and prevent any potential imbalance (Fig. 6).

Step 3. Downrod Assembly

NOTE: This ceiling fan comes with 3 types of hanging downrods:

1. The short one is for "close-to and flat ceiling" installation. It is recommended in rooms with less than 9 feet ceilings or in areas where additional space is desired from the floor to the fan blades.
2. The other two long downrods are for high ceiling installations.
3. **Angled ceiling installation is not supported.**

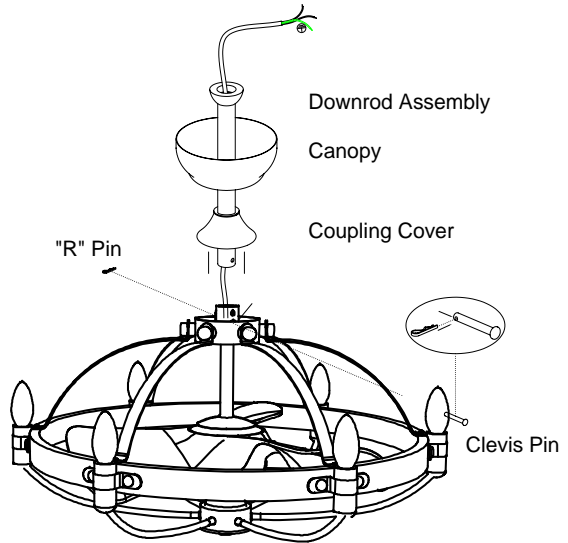


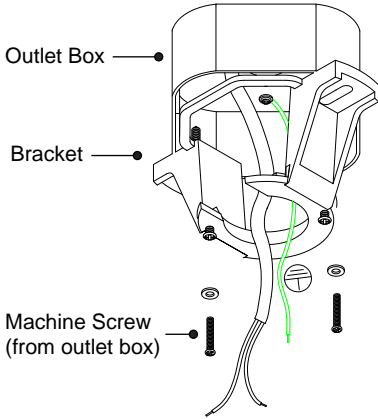
Fig. 7

Assemble the Fan

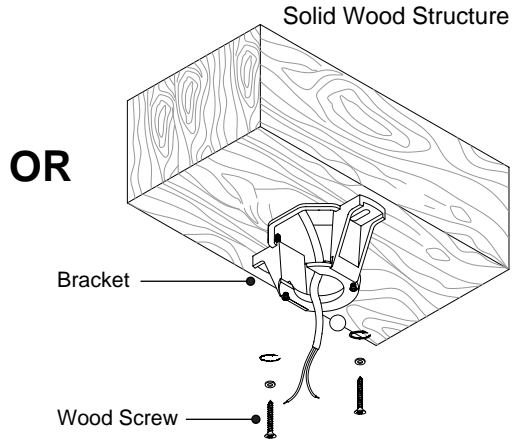
- Step 1.** Remove the clevis pin and "R" pin from the downrod/downrod hub.
- Step 2.** Assemble the canopy and coupling cover (Fig. 7).
- Step 3.** Guide the wires from the fan through the downrod assembly.
- Step 4.** Gently loosen the set screws on the downrod hub, ensuring they remain in place. Align the holes at the base of the downrod with those on the downrod hub. Carefully insert the clevis pin through the corresponding holes in the collar and downrod. Be cautious not to trap the clevis pin against the wires inside the downrod. Insert the "R" pin into the end of the clevis pin (Fig. 7).
- Step 5.** Secure the downrod by tightening the set screws on the hub.

Step 4. Mount the Bracket

Option 1



Option 2



Option 1: With Outlet Box

Attach the mounting bracket to the outlet box using screws provided with the outlet box.

Option 2: Without Outlet Box

Secure the mounting bracket to a solid wood structure using two wood screws.

Step 5. Hang and Wire

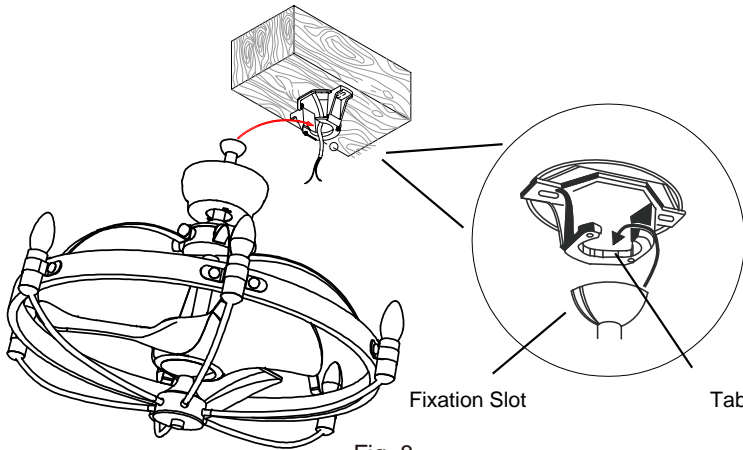


Fig. 8

1. Hang the Fan

Lift the downrod into the mounting bracket. Rotate the downrod until the tab in the mounting bracket is seated in the fixation slot in the downrod ball (Fig. 8).

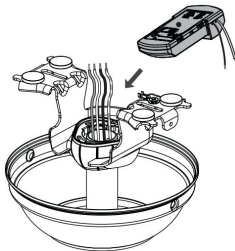


Fig. 9

2. Wire the Fan

Step 1. Insert the remote receiver to the bracket (Fig 9).

Step 2. Connect the three wires from the receiver to the fan wires: black to black, white to white, blue to blue.

Step 3. Connect the receiver's black wire to your house's live wire, the white wire to your neutral wire, and the yellow/green wire from the downrod to your ground wire.

Step 4. Once the wires are connected, separate them so that the live wires are on one side of the outlet box and the neutral wires are on the other side.

NOTE: THIS FAN REQUIRES ONLY ONE SET OF INPUT WIRES (black, white, and ground wire). Both of the fan and lights will be controlled by the remote controller.

THIS FAN CAN ONLY BE CONNECTED TO AN ON/OFF SWITCH, NOT A DIMMER SWITCH.

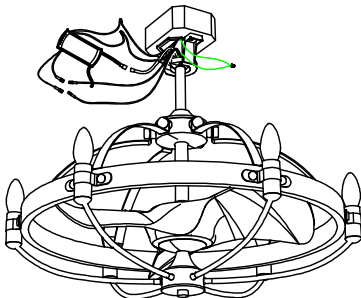
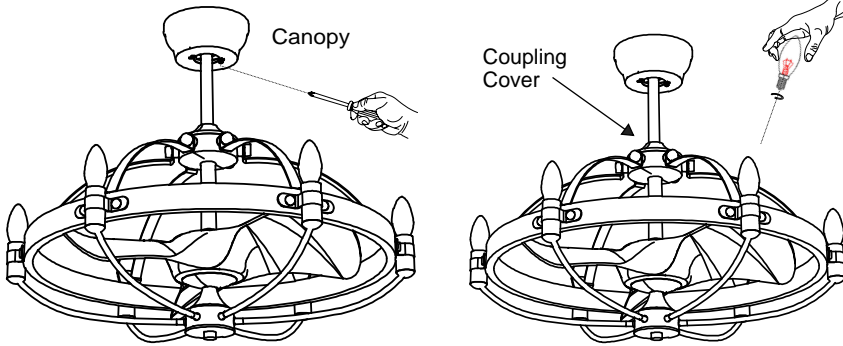


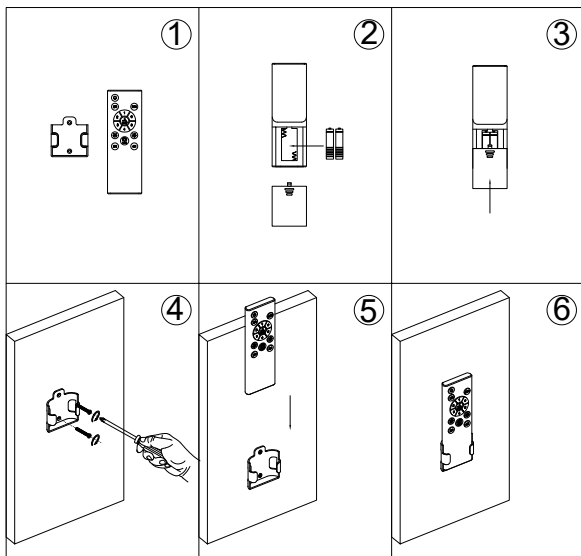
Fig. 10

Step 6. Fix the Canopy and Install the Bulbs



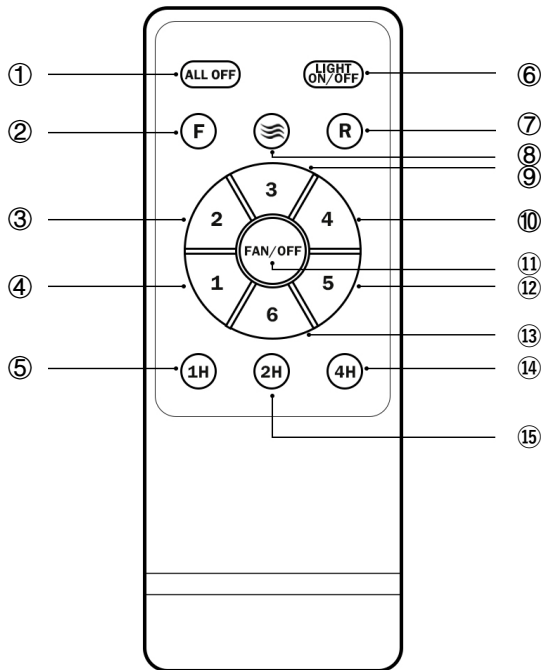
- Step 1. Slide the coupling cover downward to conceal the downrod hub.
- Step 2. Slide the canopy up to the ceiling and fasten it to the mounting bracket using the provided screws. Ensure all screws are tightened securely.
- Step 3. Install light bulbs (E12 x 6, Max 40W each, not included).

Step 7. Install the Remote Holder



1. Insert 2 batteries before using:
AAA 1.5V batteries x 2pcs
(not included)
2. Attach the remote holder to the wall using screws.

Remote Control Instructions



NOTE:

**Please insert 2 batteries before using.
AAA 1.5V battery x 2pcs (not included)**

- ①: Turn off the fan and lights.
- ②⑦: "F" refers forward fan direction."R" refers reverse the fan.
- ③④⑨⑩⑫⑬: Use 1/2/3/4/5/6 for fan speed control.
- ⑤⑭⑮: Set the fan timer for 1/2/4 hours.
- ⑥: Turn on/off the lights.
- ⑧: Activate the natural wind mode; fan speed will adjust automatically when using this function.
- ⑪: Turn off the fan.

REMOTE SIGNAL REPAIR

If the remote control loses its connection to the fan, follow these steps to reestablish it: Turn off the power using the wall switch, then turn it back on. Quickly press and hold button ⑪ for approximately 3 seconds. Once the fixture emits a beep or flashes, the pairing is successful.

Trouble Shooting

1. Fan doesn't work

- Make sure the fixture is connected to an ON/OFF wall switch, not a dimmer switch.
- Check the remote control battery (not included in this package).
- Check the circuit breaker to ensure the power is on.
- Turn off power from the circuit breaker, then loosen the canopy and check all the connections according to the wiring diagram.

2. Lights Do Not Light Up / Flicker / Noisy Operation

- Make sure the fixture is connected to an ON/OFF wall switch, not a dimmer switch.
- Check your power and switch to make sure it's powered on.
- Check the bulb to make sure it's installed correctly.
- Change a new bulb.

3. Noisy Operation

- Tighten the light fitting and blade bottom cover.
- Re-tighten all screws on the bracket, downrod, and fan blades (do not over tighten).
- Check to see if any of the blades are cracked. If so, replace all of the blades.

4. Remote does not work

- Make sure the battery is installed correctly.
- Re-pair the remote control again (See page 13).
- Install 2 new batteries if needed.

Clean And Care

To clean, use a soft cloth to wipe the fixture. Avoid using chemical cleaners as they may discolor the fixture's finish. Do not use scouring pads, powders, steel wool, or abrasive paper to clean this fixture.

Ordering Parts

Please retain this manual for future reference and in case replacement parts are required. Replacement parts that are available can be ordered from the place of purchase. When ordering parts, please use the exact wording as shown in the diagrams.