








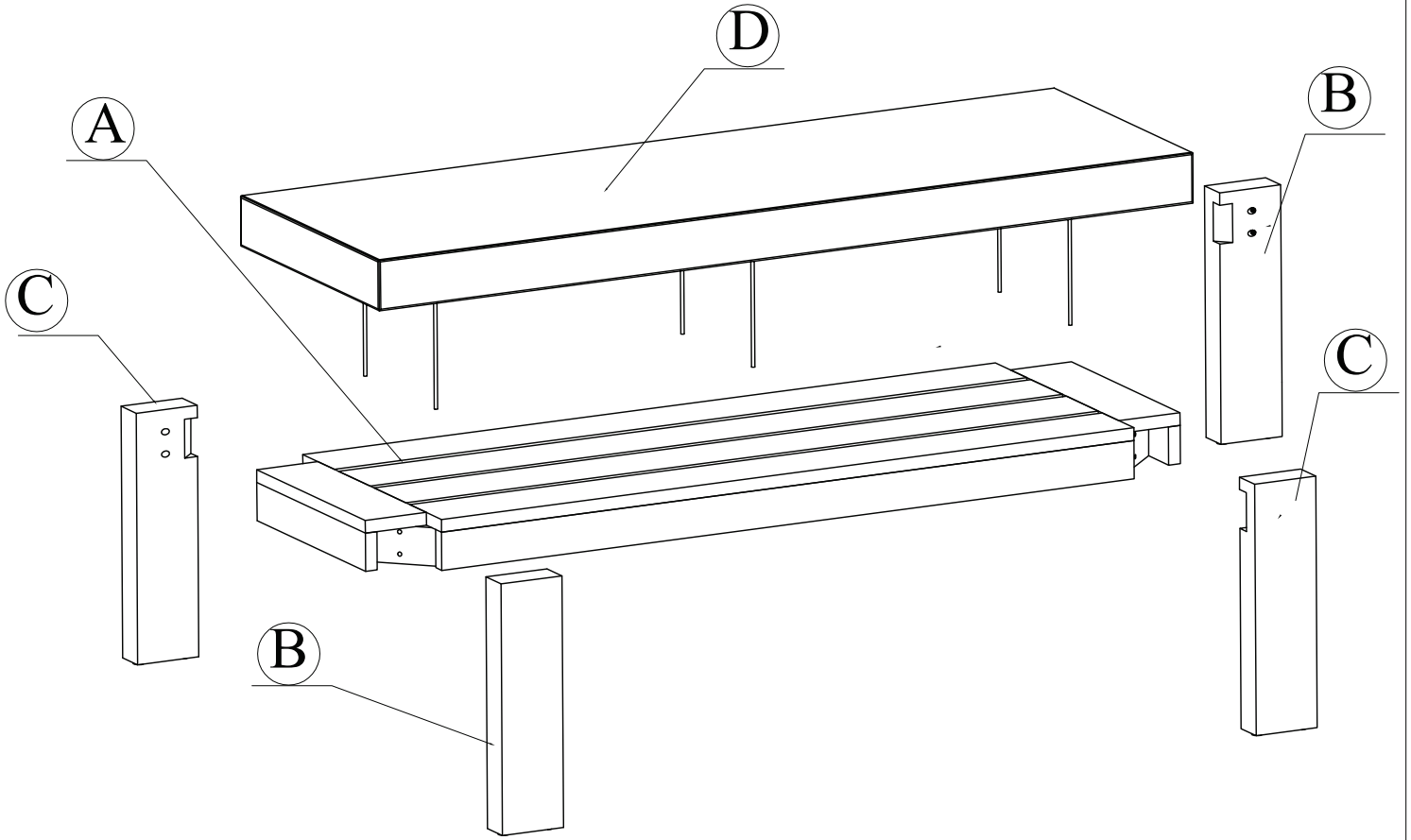


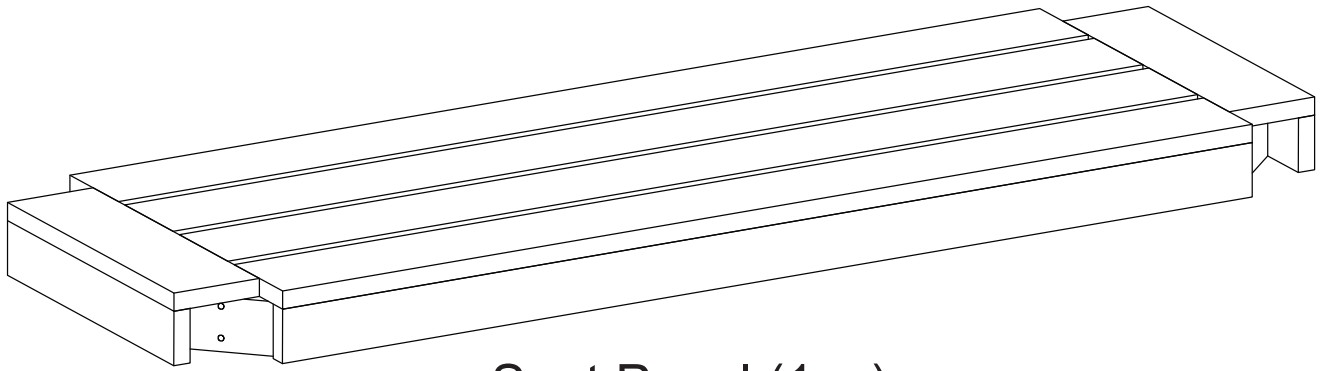
Care & Maintenance

- ⊘  • Not for commercial use. For residential use only
- ⊘  • Do not put hot items directly on furniture surface.
- ⊘  • Do not clean furniture with harsh cleansers or polish.
- ✓  • To obtain the longest lifespan of your outdoor products, minimizing exposure to direct sunlight is recommended.
- ⊘  • Children should not climb or jump on the furniture.
- ⊘  • Do not write on furniture without a padded barrier to protect the surface.
- ✓  • To obtain the longest lifespan of your outdoor products, avoid extended and lengthy exposure to rain, snow, and direct sunshine. Whenever possible cover the product and /or place under patio or awnings.
- ⊘  • Stains may be removed with mild soap solution and damp cloth..
- ✓  • Dust and pick-up spills using a clean, non-colored, lint-free cloth.



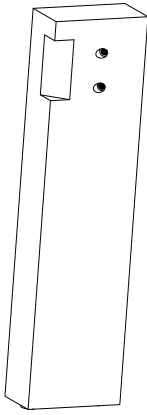
Part List :

A



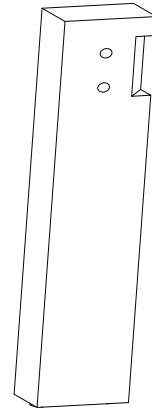
Seat Panel (1pc)

B



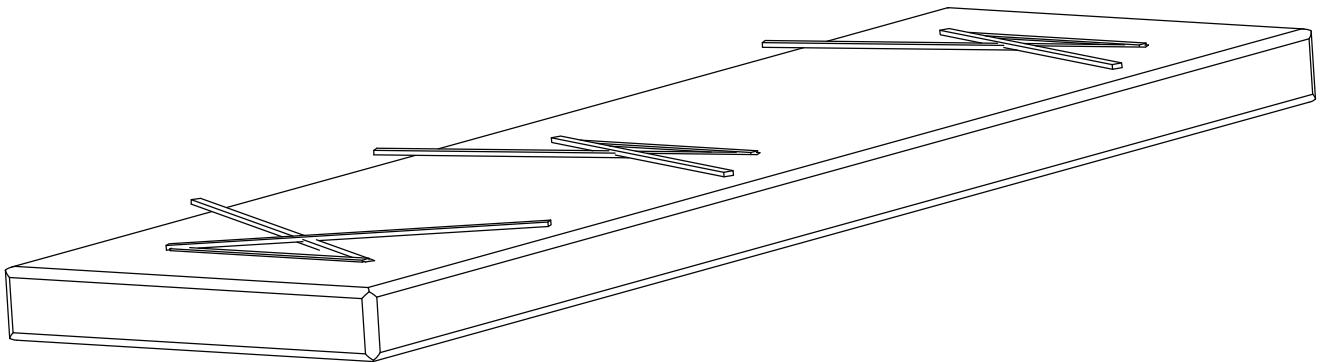
First Leg (2pcs)

C



Second Leg (2pcs)

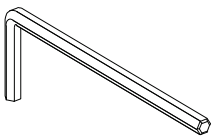
D



Seat Cushion (1pc)

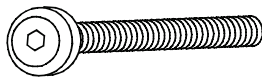
Hardware list: N715P406146

1



Allen Wrench (2psc)

2



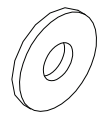
Bolt (M6x90) (8 pcs)
(Extra 1pc)

3



Spring washer
6.5/11x1.2 (8 pcs)
(Extra 1pc)

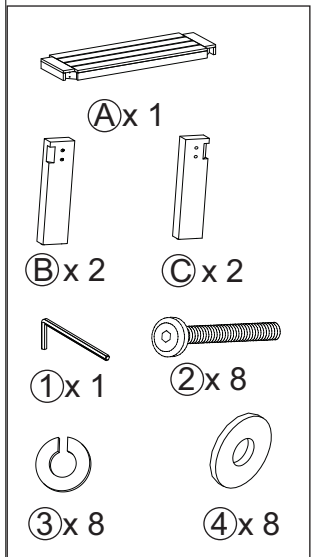
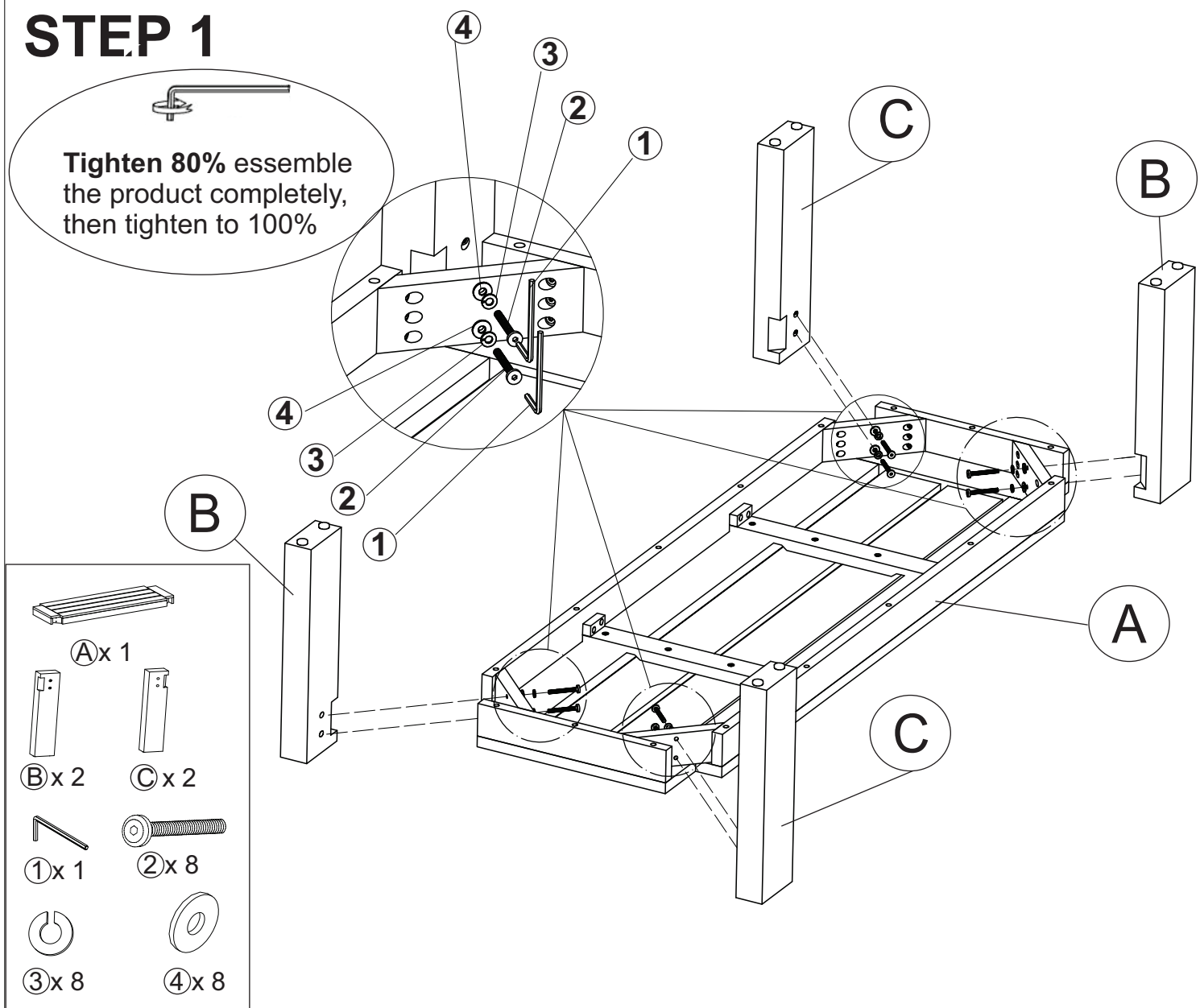
4



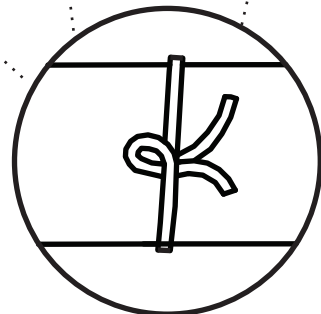
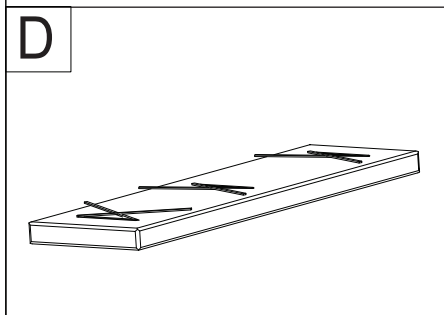
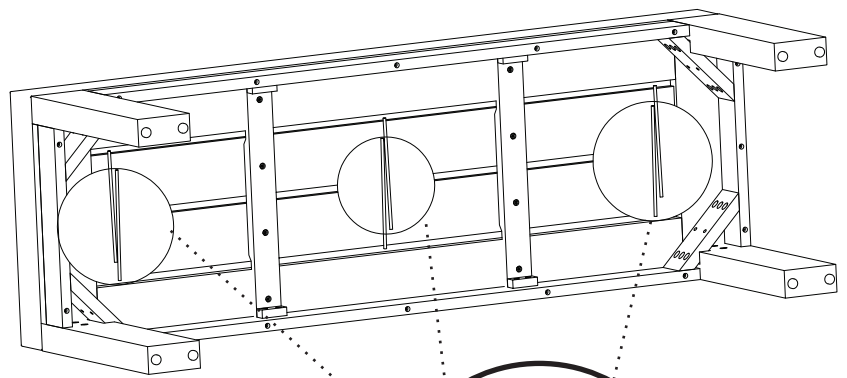
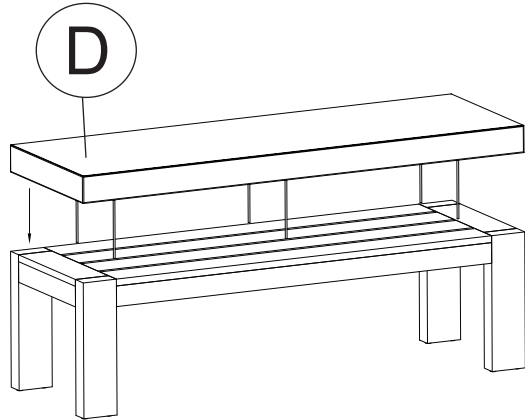
Washer 6.5/16x1.2 (8 pcs)
(Extra 1pc)

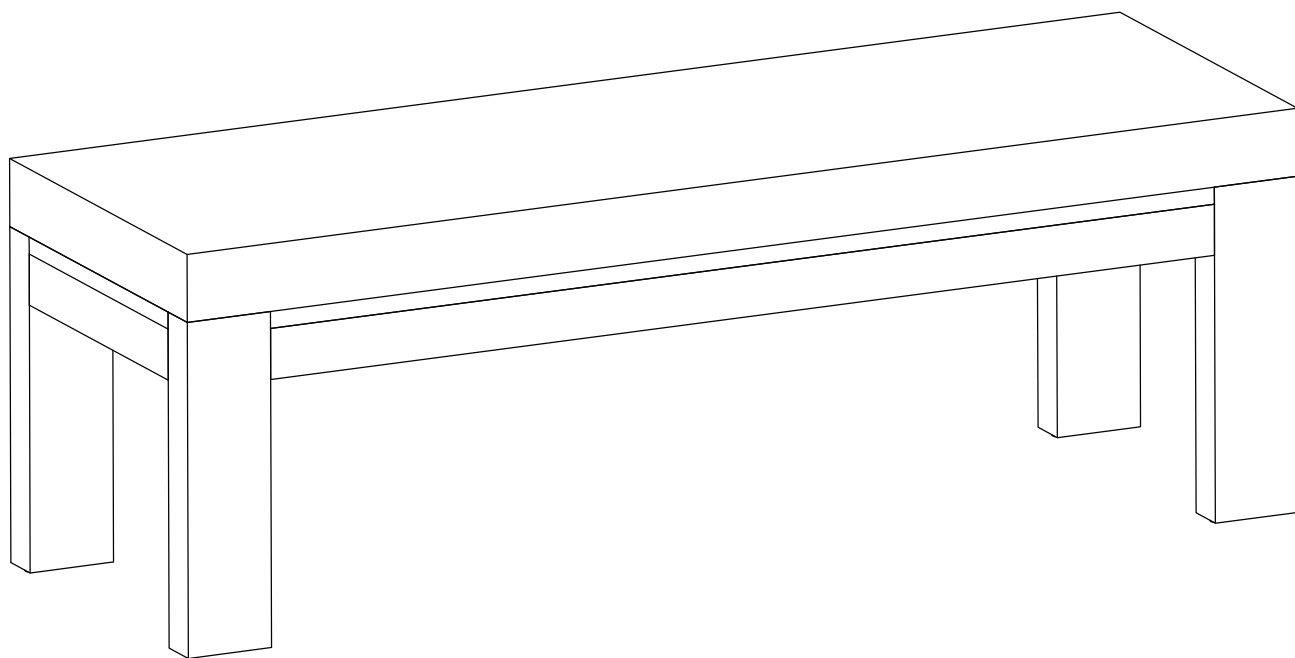
STEP 1

Tighten 80% assemble the product completely, then tighten to 100%



STEP 2





FINISH