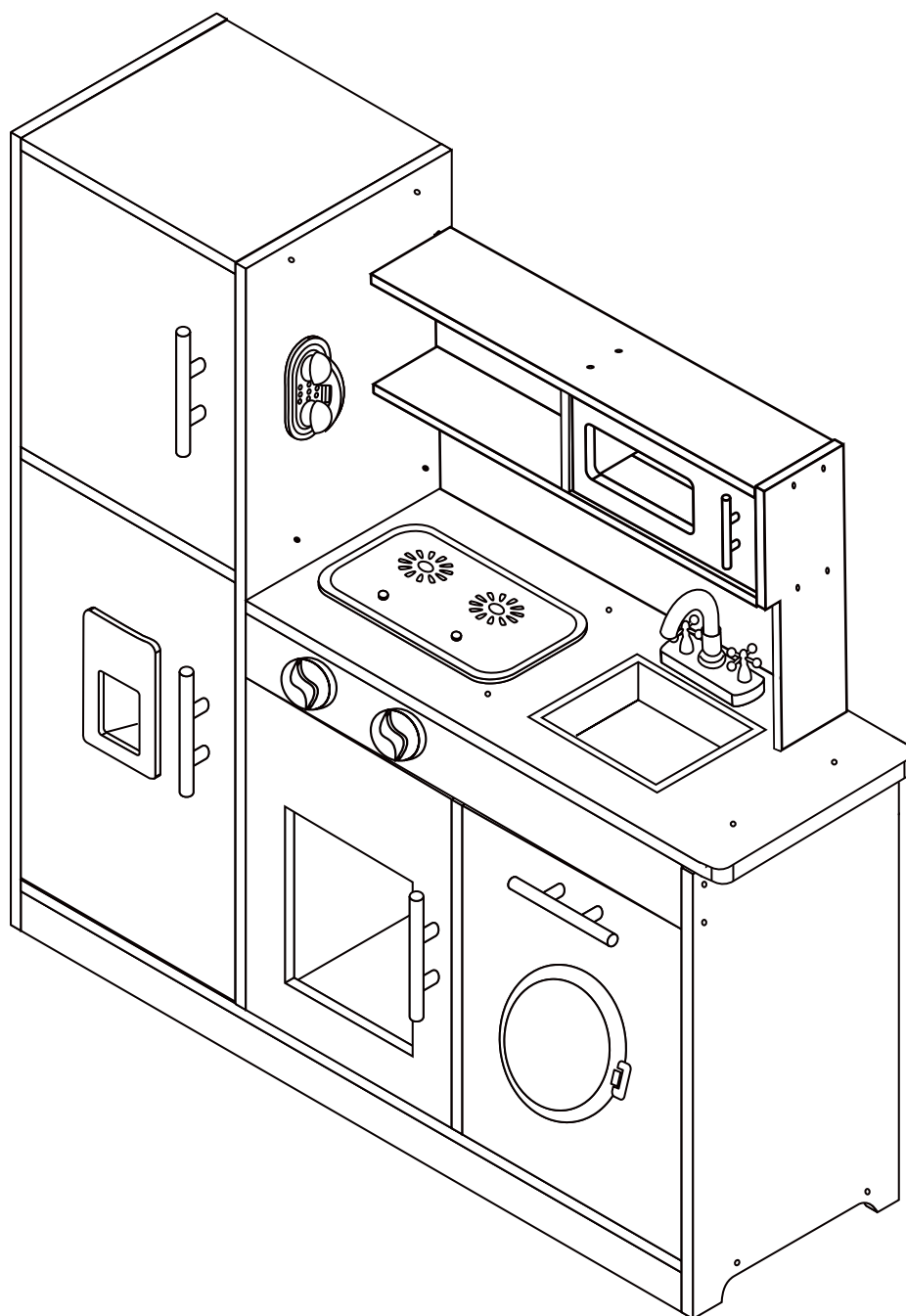




PLAY KITCHEN

Instruction manual

PK008



E-mail Service : babytronicus@outlook.com

Please read and keep the manual properly, it contains important information.



WARNING

ADULT ASSEMBLY REQUIRED



WARNING

CHOKING HAZARD-Small parts.

Not for children under 3 years old.

MAINTENANCE INSTRUCTIONS

1. To clean the toy, wipe with a soft, slightly moist cloth.
2. Never use corrosive detergents, wire brushes, abrasive scourers, metal or sharp utensils to clean the toy.
3. Regularly check that all the components and fasteners are tightened.
4. Remove the batteries before storage. Store the toy in a cool and dry place.

WARNING

1. Install with this side *AWAY* from child and pets, it contains small parts. It must be assembled by adults before being handed over to children.
2. This product is intended for indoor use only.
3. Do not stand on or use any part of this item as a step ladder.
4. Firmly secure all bolts, screws and knobs before use.(Use caution not to over-tighten screws or they will not hold parts together appropriately)
5. Do not use or store this item in the proximity of open flame or flammable/combustible chemicals.
6. If any parts are missing, broken, damaged, or worn, stop using this item until repairs are made and/or factory replacement parts are installed.
7. Do not use this item in a way inconsistent with the manufacturer's instructions as this could void the product warranty.
8. **MAKE SURE** the surface of the product is dry and free of foreign objects

AGE RANGE: 3 years old and up

 **BATTERY WARNINGS****DANGER****Risk of explosion!**

Risk of explosion if the battery is replaced by an incorrect type.

Please strictly observe the following use warnings, misuse or abuse may result in leakage, rupture, or fire, and may cause personal injury.

Do not mix old and new batteries.

Do not mix different types of batteries.

Insert batteries with correct polarity.

Remove exhausted batteries from the toy.

Follow battery manufacturer's warnings and recommendations.

Never attempt to recharge primary batteries.

Never short circuit batteries as this may lead to high temperatures, leakage, or rupture.

Never heat batteries in order to revive them.

Remember to switch off the toy after use.

Never attempt to disassemble, crush, puncture or open batteries.

Keep batteries out of the reach of children, especially small batteries that could be easily ingested.

Clean the battery contacts and also those of the device prior to battery installation.

Remove batteries from the toy that is not to be used for an extended period of time. Remove used batteries promptly.

BEFORE FIRST USE



DANGER

Risk of suffocation!

Keep any packaging materials away from children and pets-these materials are a potential source of danger, e.g. suffocation.

Remove all the packing materials.

Remove and review all components before starting assembly.

Check the toy for transport damages.

⚠ ATTENTION

This page lists the contents included in the box. Please take time to identify the hardware as well as the individual components of the product.

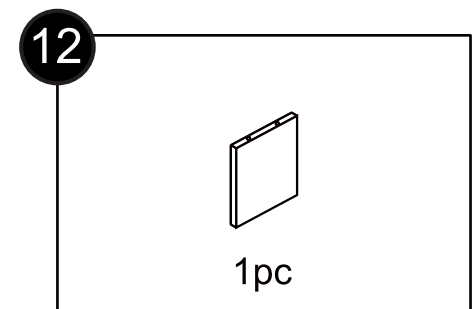
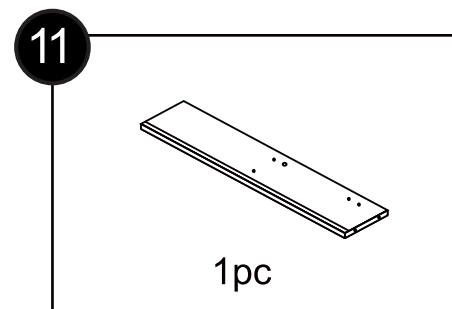
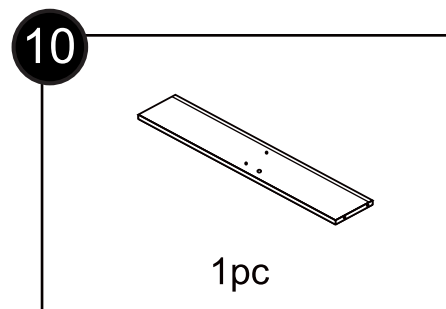
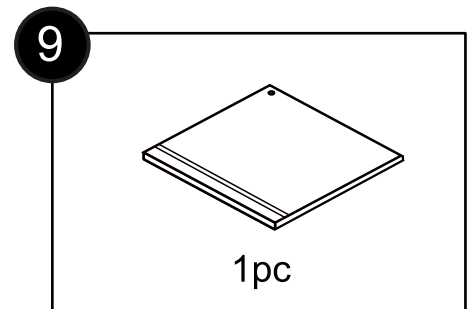
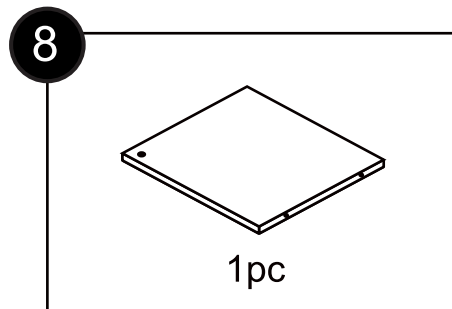
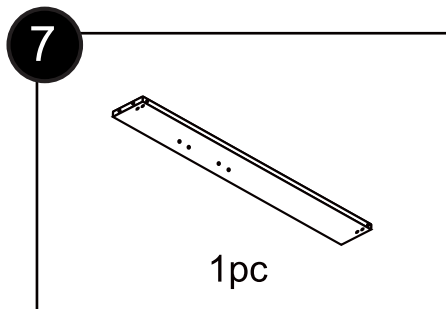
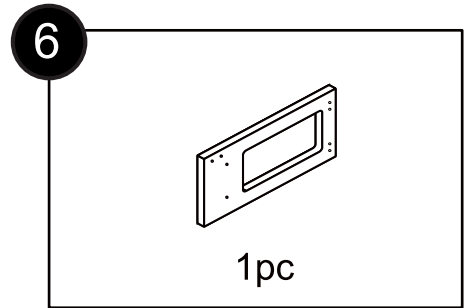
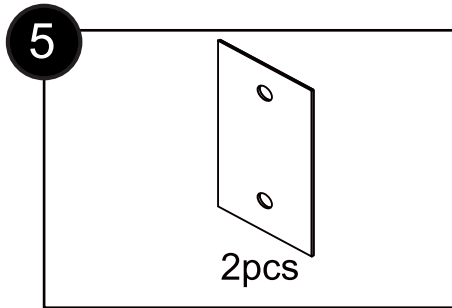
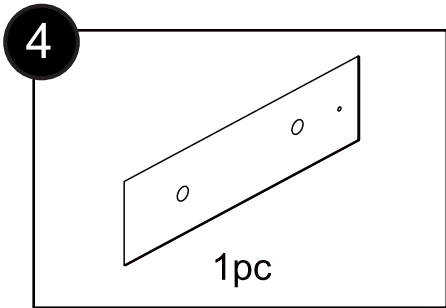
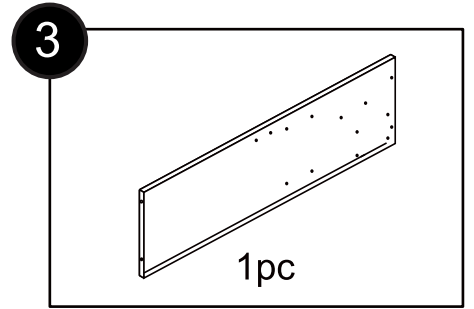
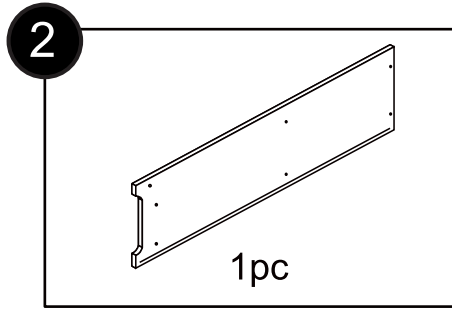
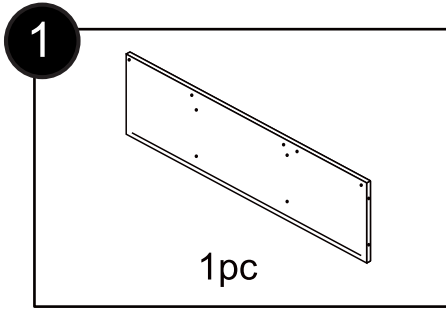
As you unpack and prepare for assembly, place the contents on a carpeted or padded area to protect them from damage.

TOOLS REQUIRED

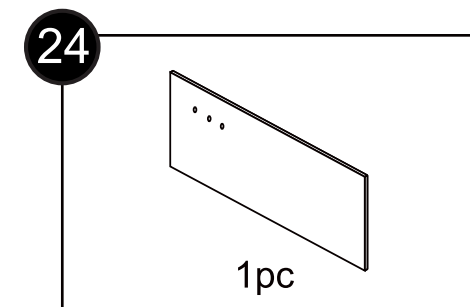
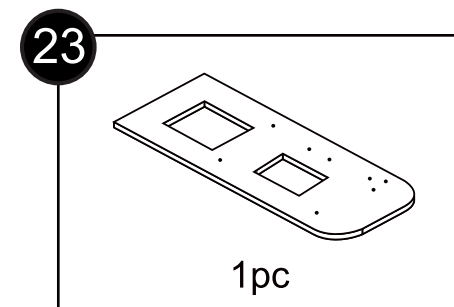
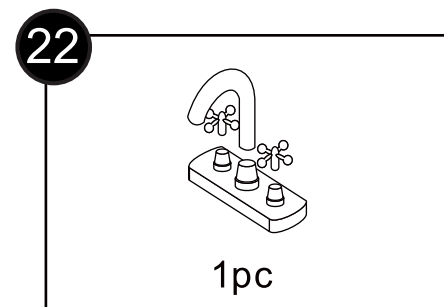
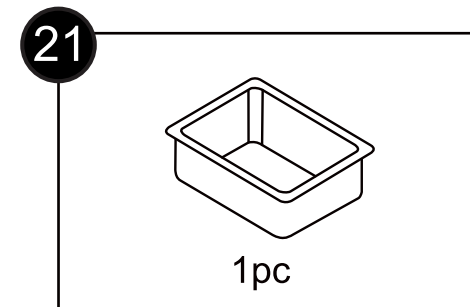
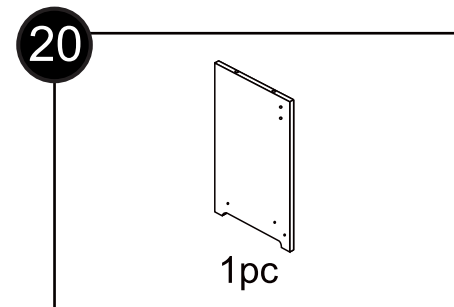
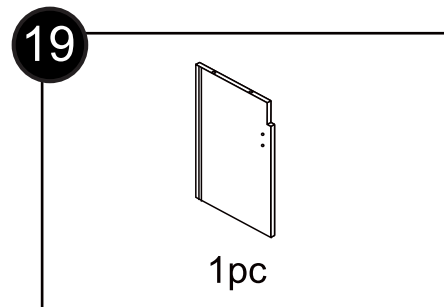
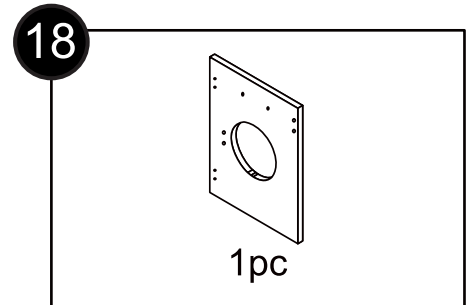
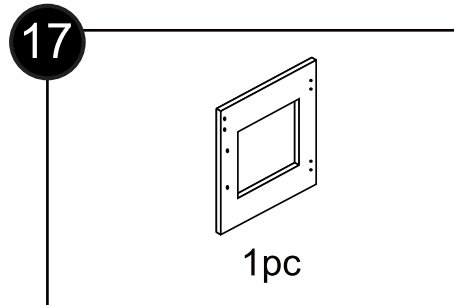
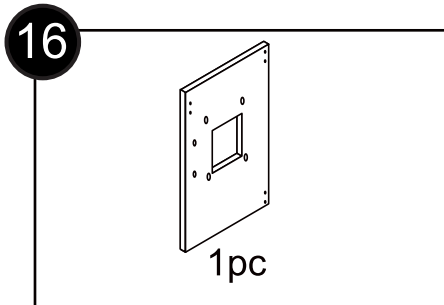
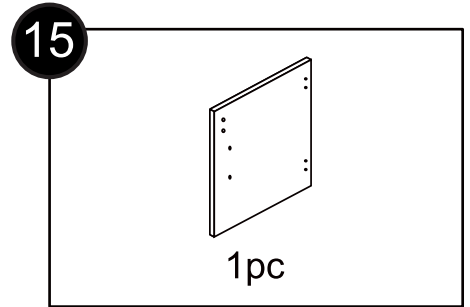
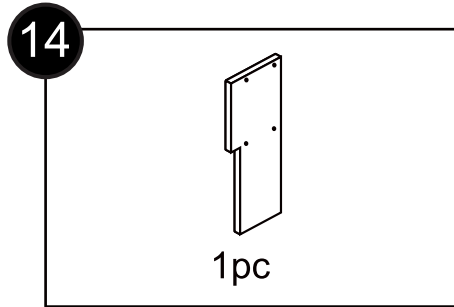
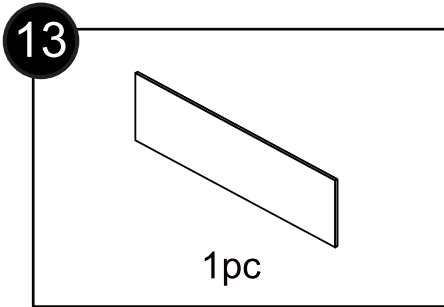


SCREWDRIVER

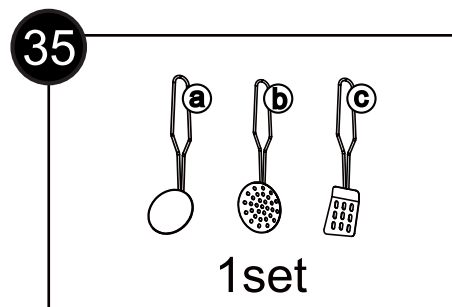
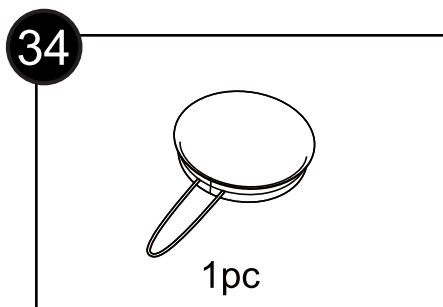
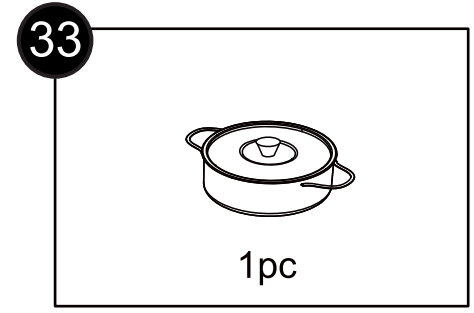
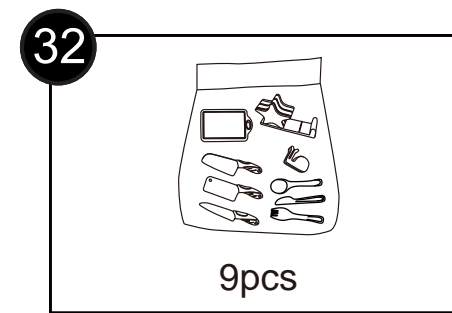
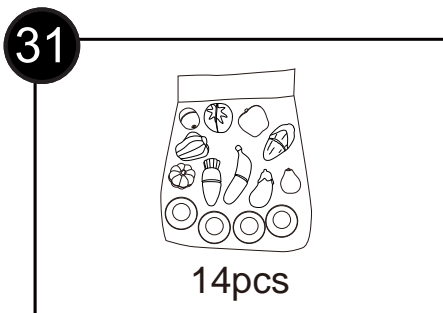
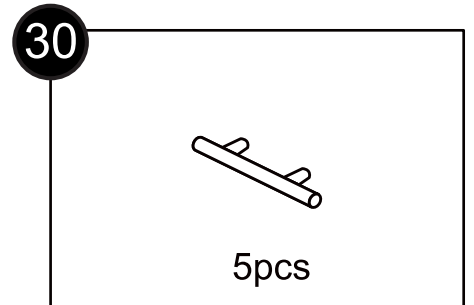
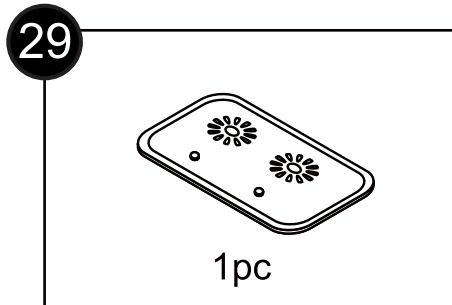
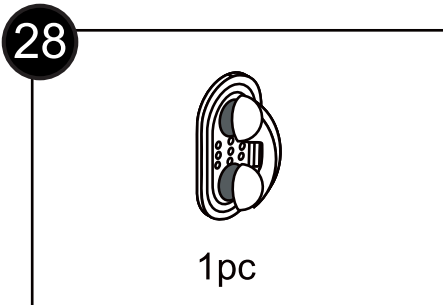
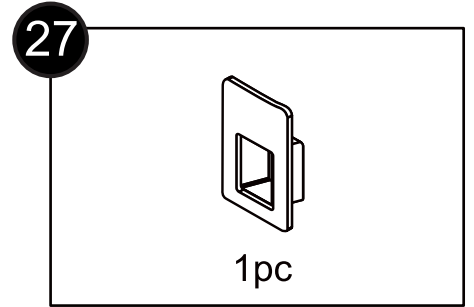
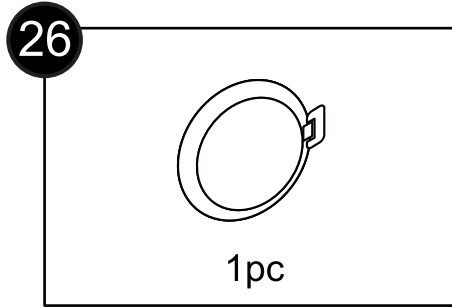
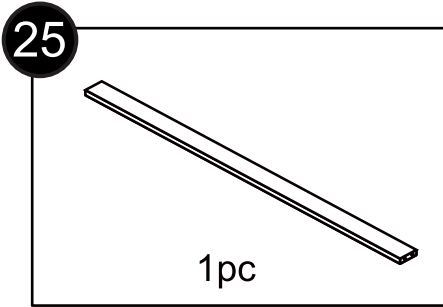
PARTS



PARTS




PARTS




HARDWARE

A \varnothing 4x35mm




38pcs

B \varnothing 5x30mm




6pcs

C \varnothing 4x8mm




4pcs

D \varnothing 4x18mm




14pcs

E \varnothing 3x8mm



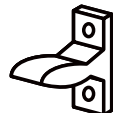
44pcs

F




10pcs

G




5pcs

H




5pcs

J




3pcs

K \varnothing 3x18mm




5pcs

L \varnothing 3.5x10mm




3pcs

M




2pcs

N




2pcs

O \varnothing 4x14mm



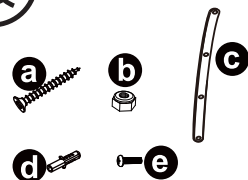
2pcs

P \varnothing 4x16mm



2pcs

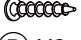
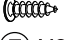

Q

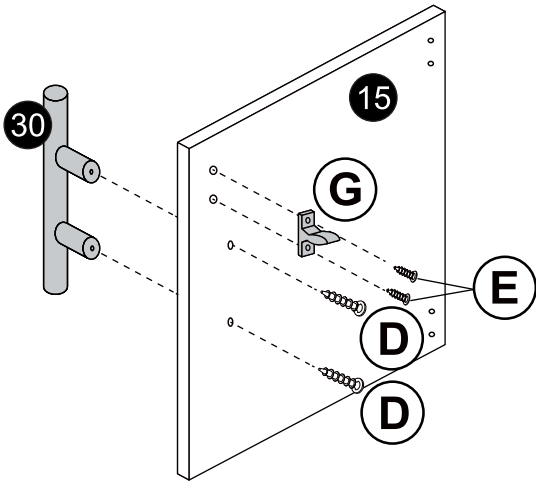


1set

INSTALLATION STEPS

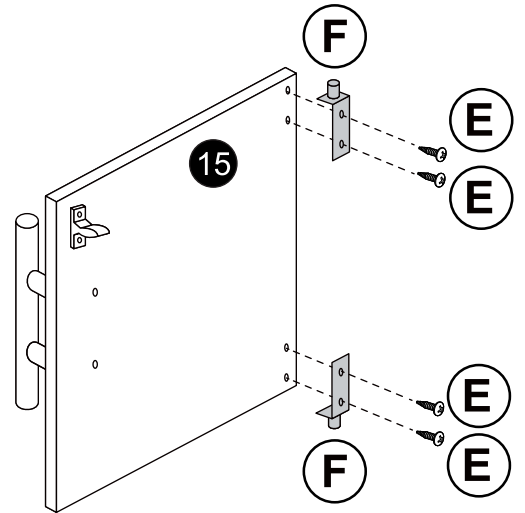
STEP 1

 X2
  X2
  X1

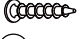
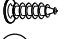



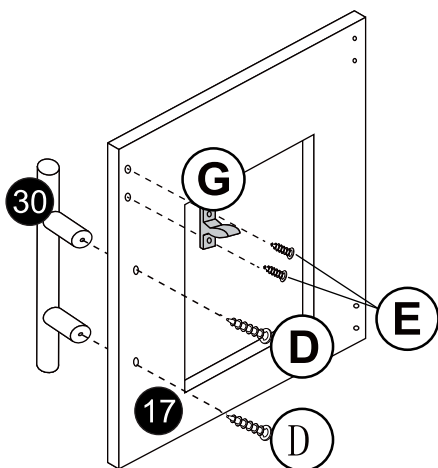
STEP 2

 X4
  X2



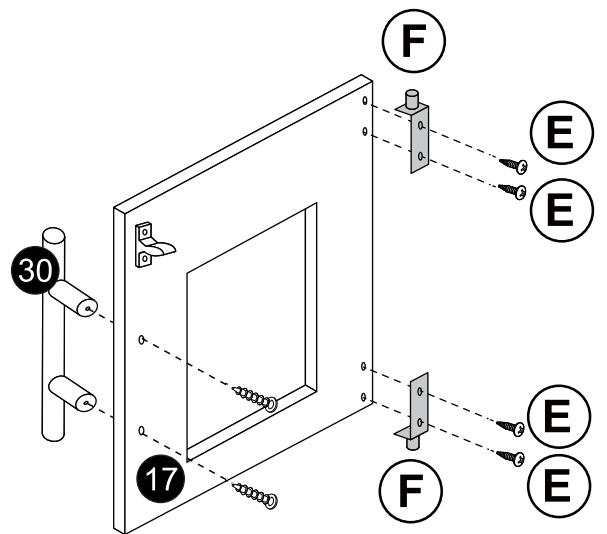
STEP 3

 X2
  X2
  X1



STEP 4

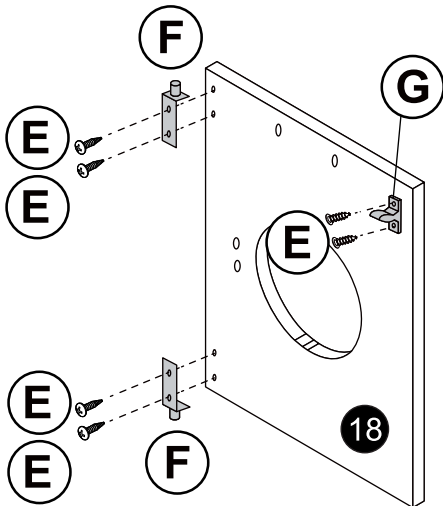
 X4
  X2



INSTALLATION STEPS

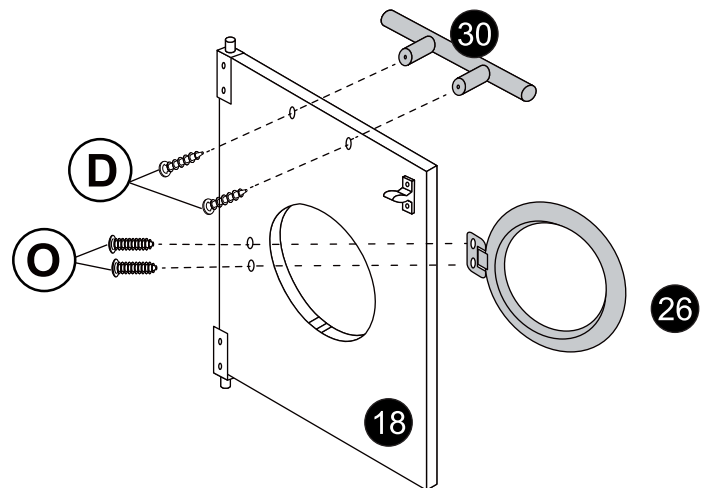
STEP 5

E X6 **G** X1 **F** X2



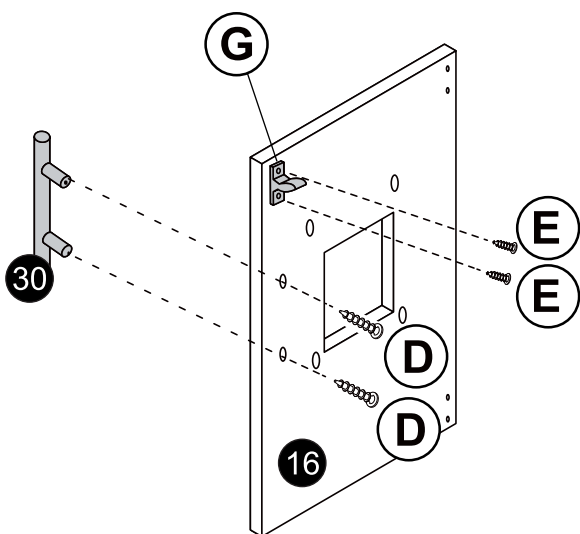
STEP 6

D X2 **O** X2



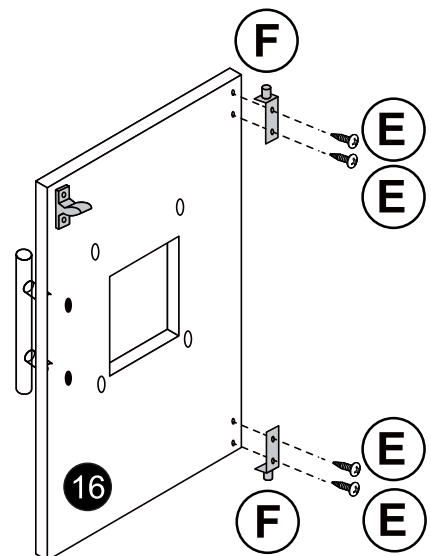
STEP 7

D X2 **E** X2 **G** X1



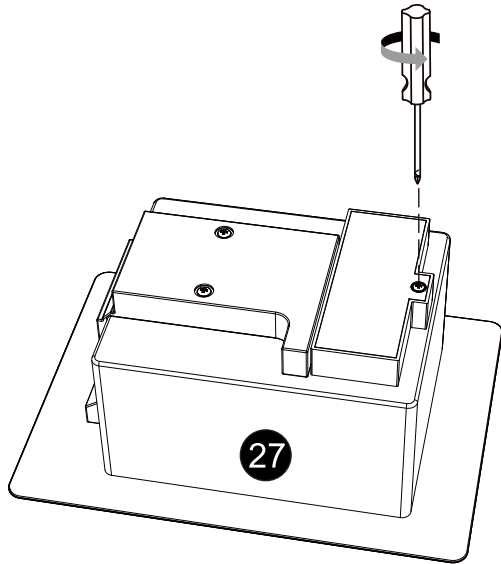
STEP 8

E X4 **F** X2

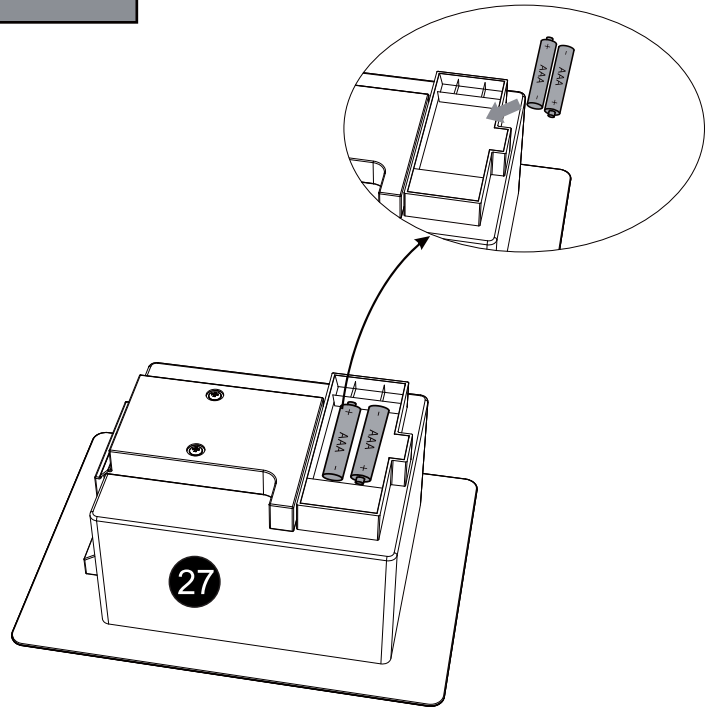


INSTALLATION STEPS

STEP 9

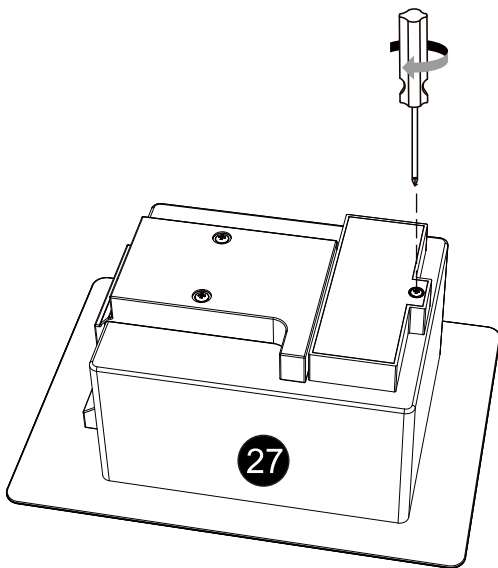


STEP 10

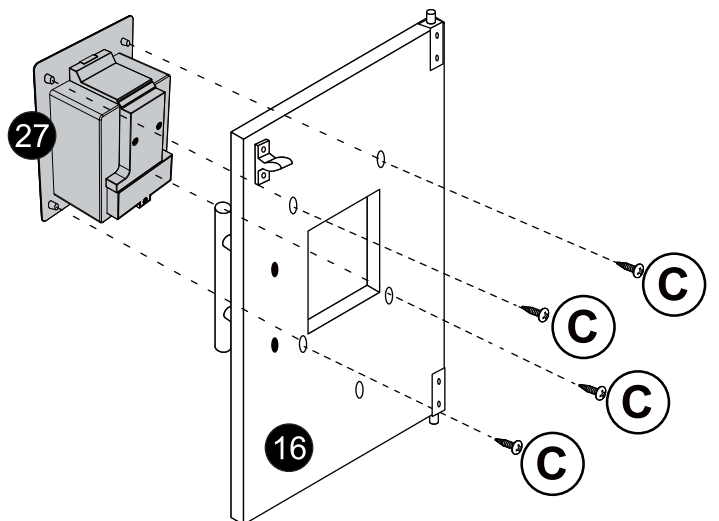


(Batteries are not included in the package)


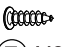
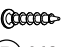
STEP 11

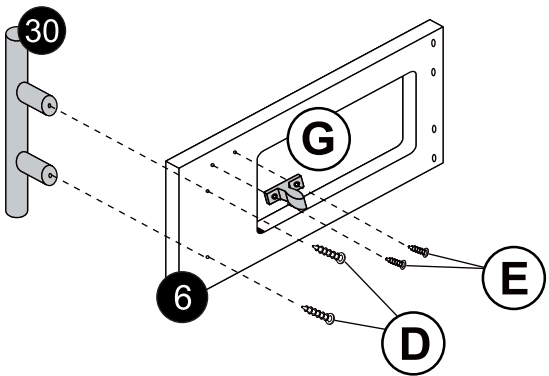


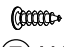

STEP 12

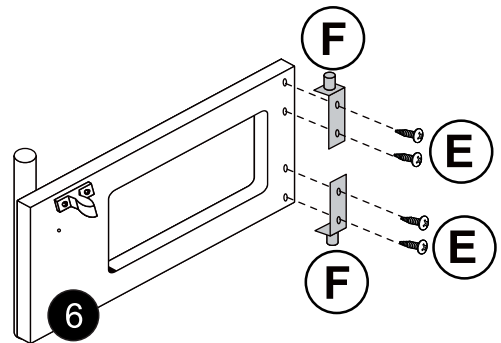



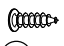

INSTALLATION STEPS

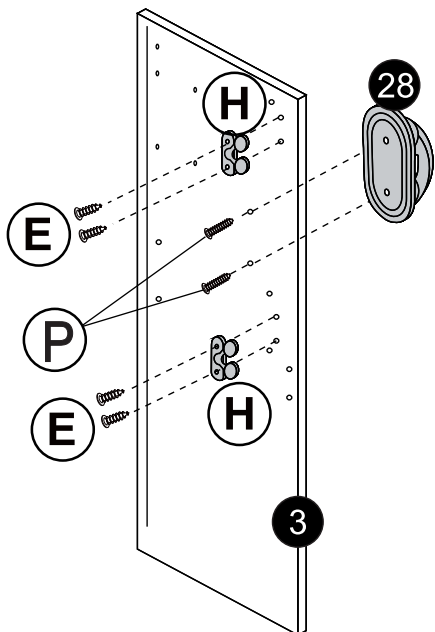
STEP 13   
 (G) X1 (E) X2 (D) X2

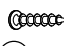



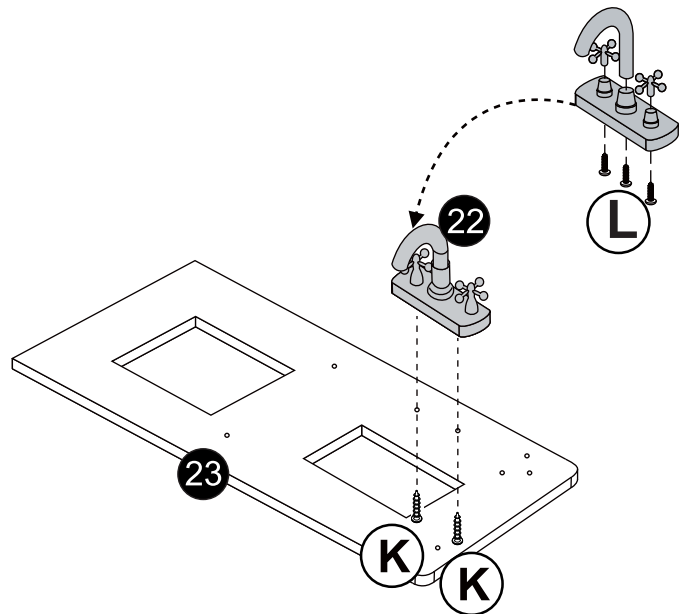
STEP 14  
 (E) X4 (F) X2





STEP 15   
 (H) X2 (E) X4 (P) X2

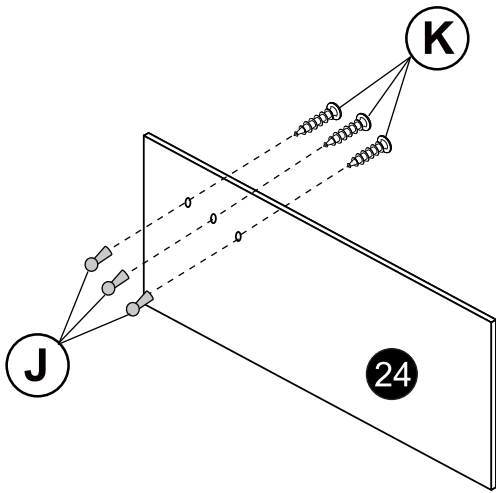







STEP 16  
 (K) X2 (L) X3

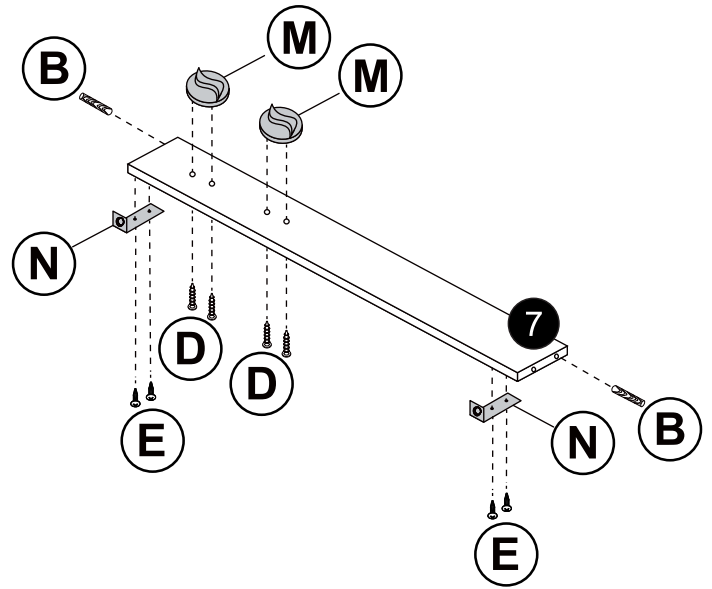


INSTALLATION STEPS

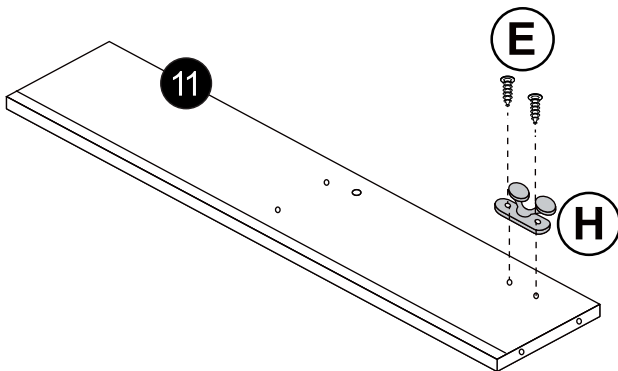
STEP 17  
(K) X3 **(J) X3**



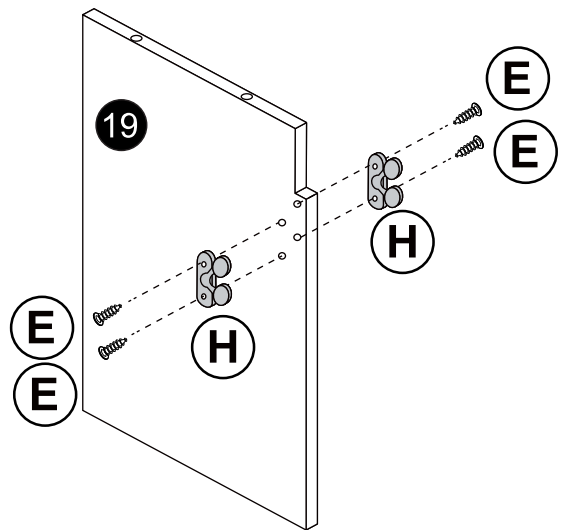
STEP 18     
(M) X2 **(D) X4** **(E) X4** **(N) X2** **(B) X2**




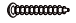
STEP 19  
(E) X2 **(H) X1**

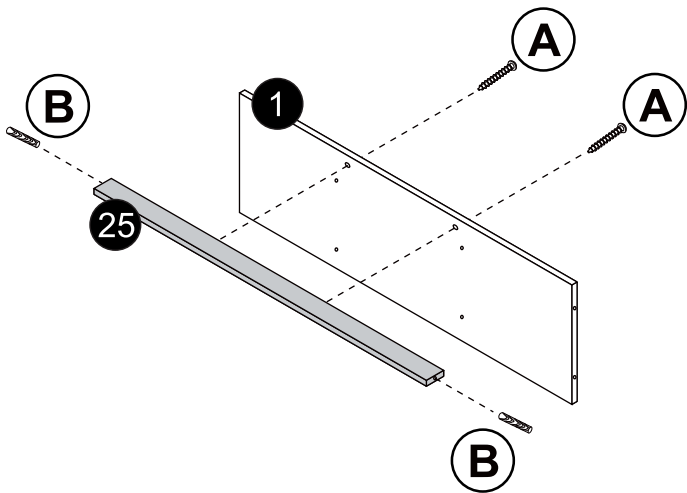


STEP 20  
(E) X4 **(H) X2**

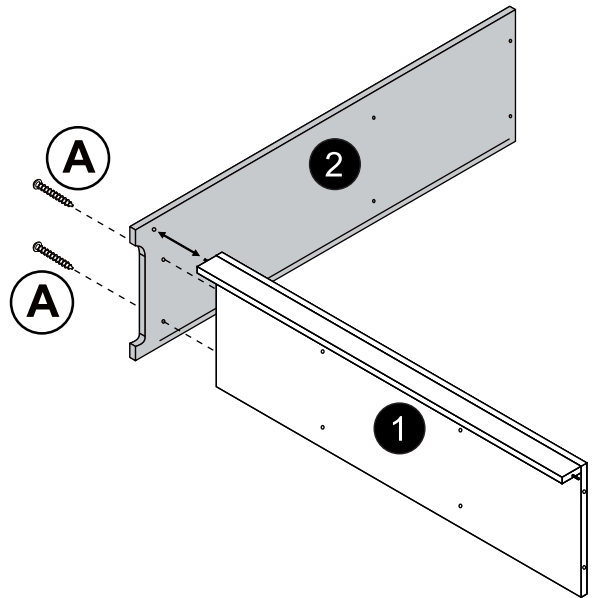


INSTALLATION STEPS

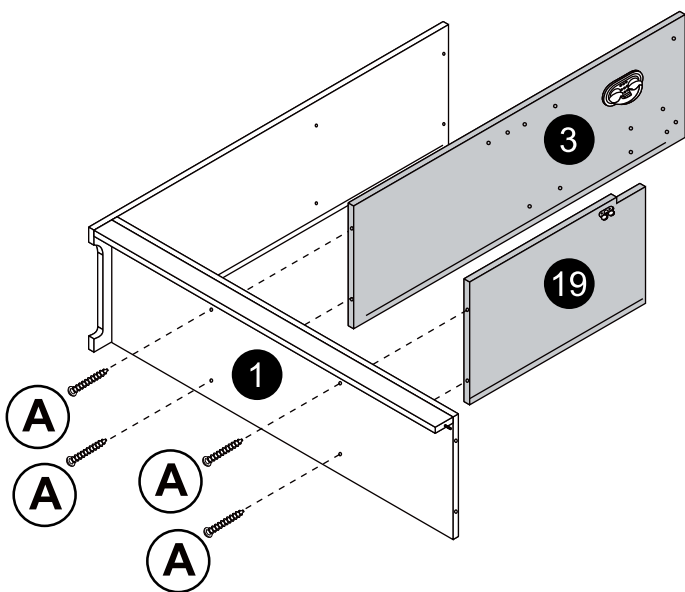
STEP 21  
(B) X2 (A) X2



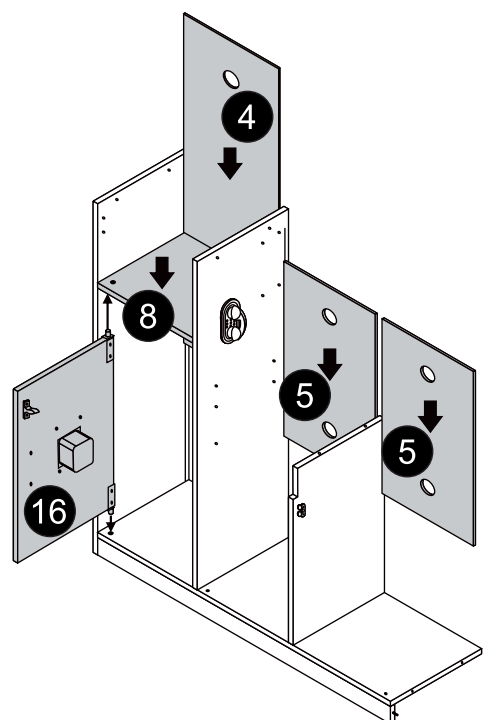
STEP 22 
(A) X2



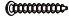
STEP 23 
(A) X4

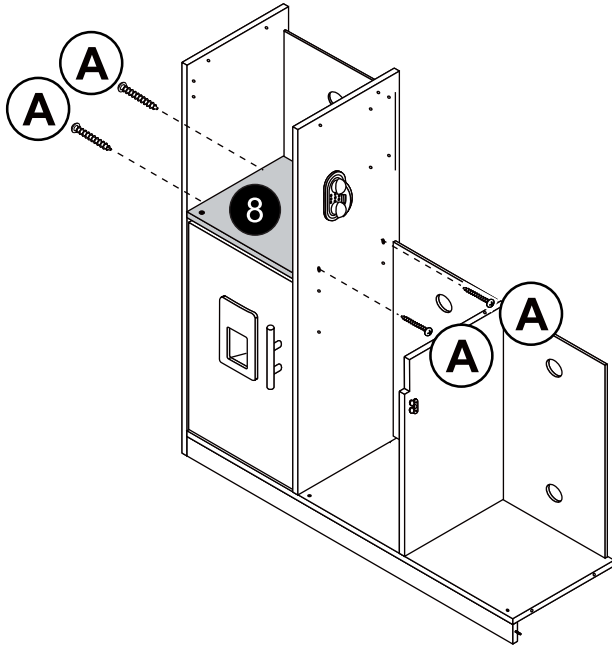


STEP 24

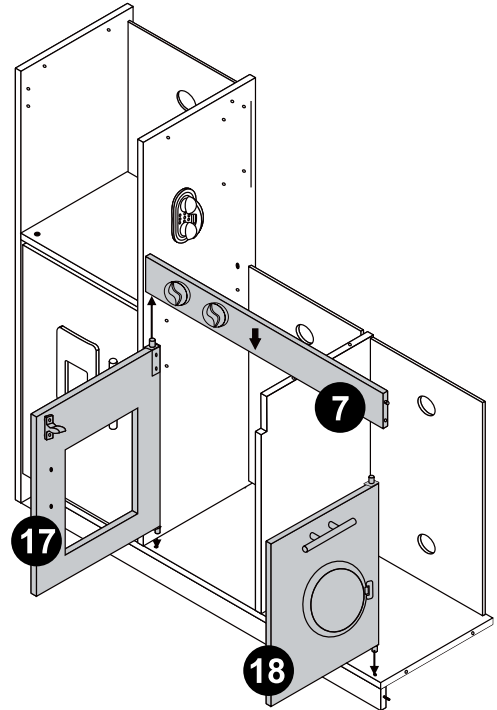


INSTALLATION STEPS

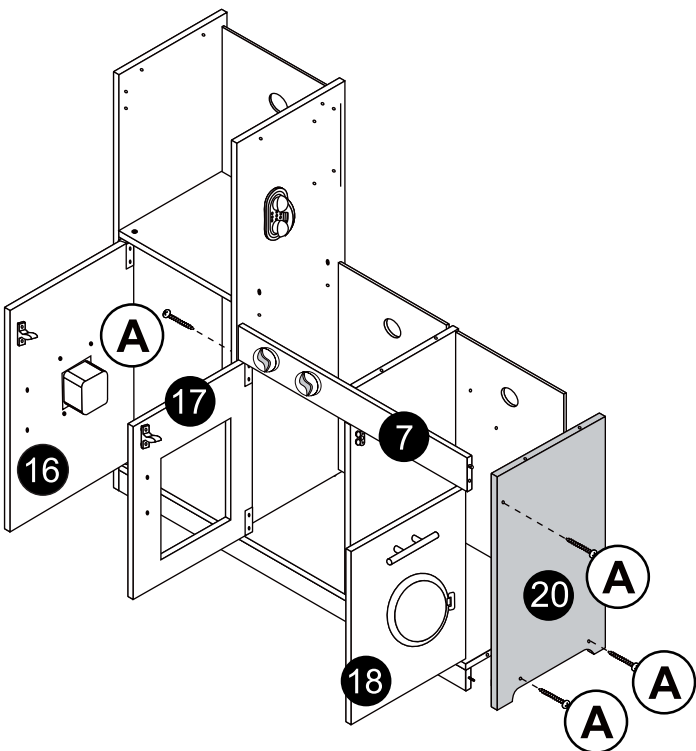
STEP 25  **(A) X4**




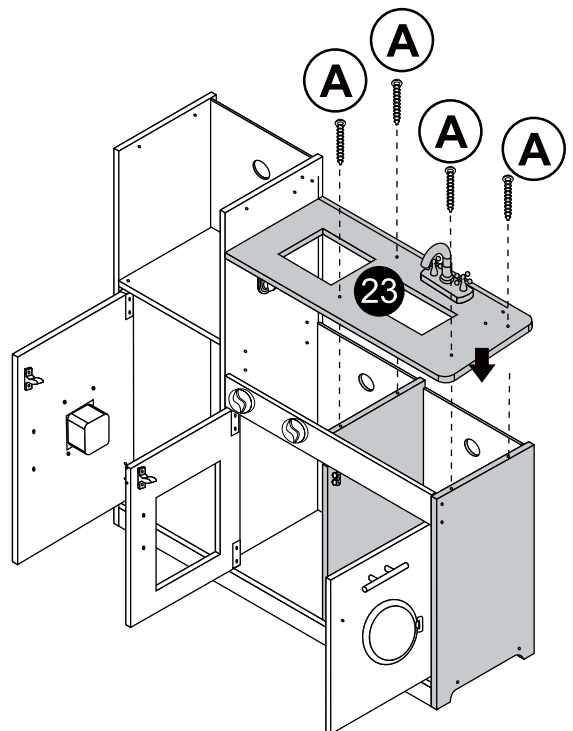
STEP 26





STEP 27  **(A) X4**

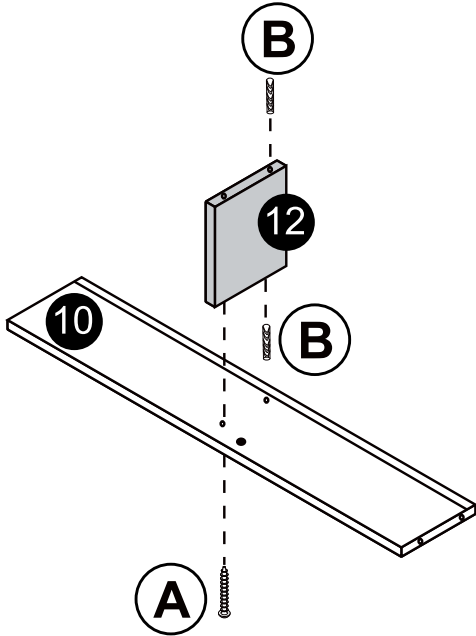


STEP 28  **(A) X4**

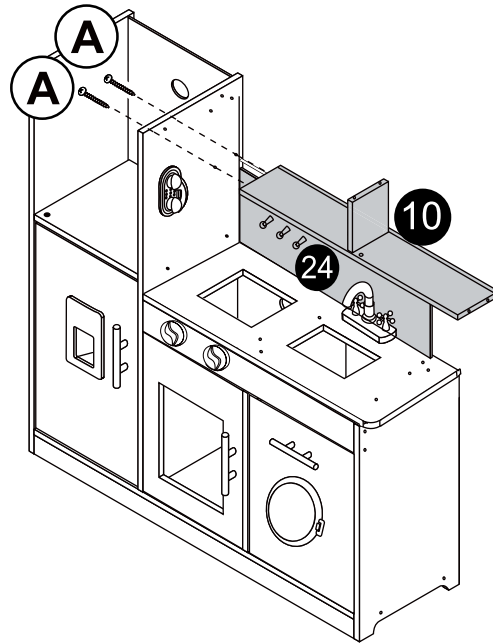


INSTALLATION STEPS

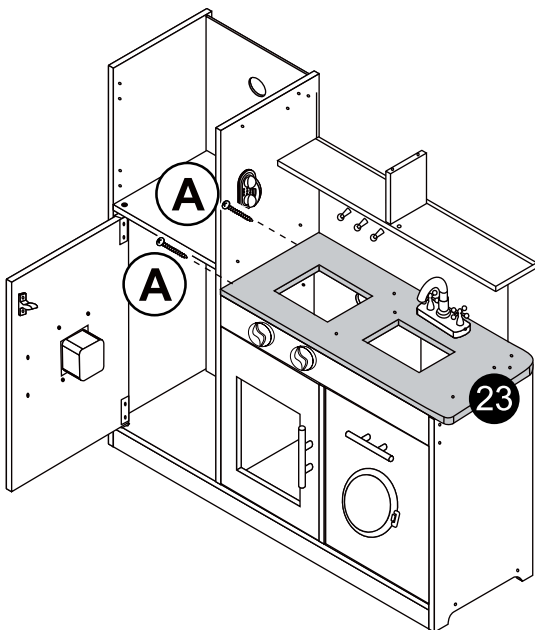
STEP 29  
(A) X1 **(B) X2**



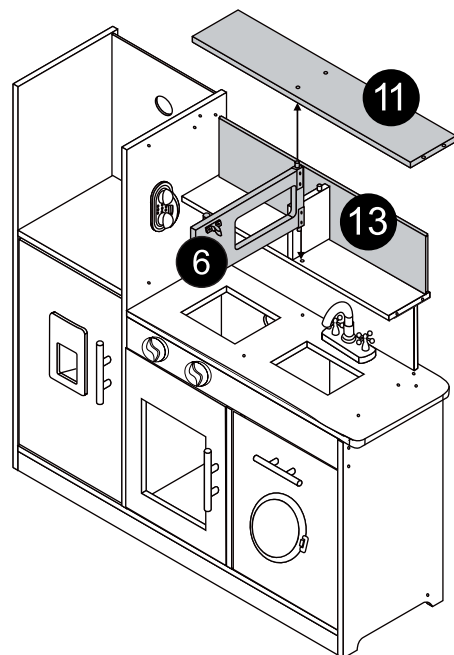
STEP 30 
(A) X2



STEP 31 
(A) X2

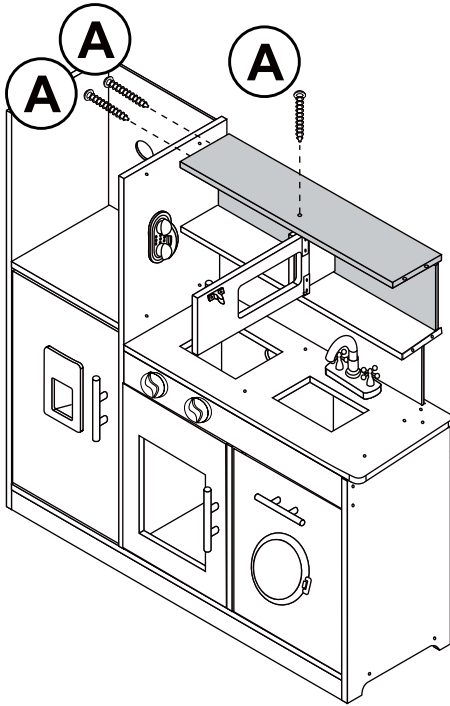


STEP 32

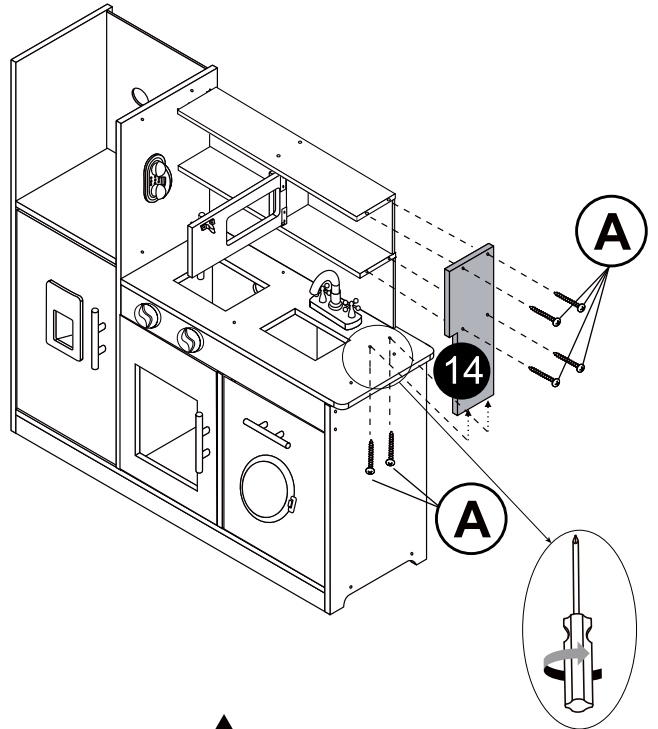


INSTALLATION STEPS

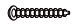
STEP 33  **(A) X3**

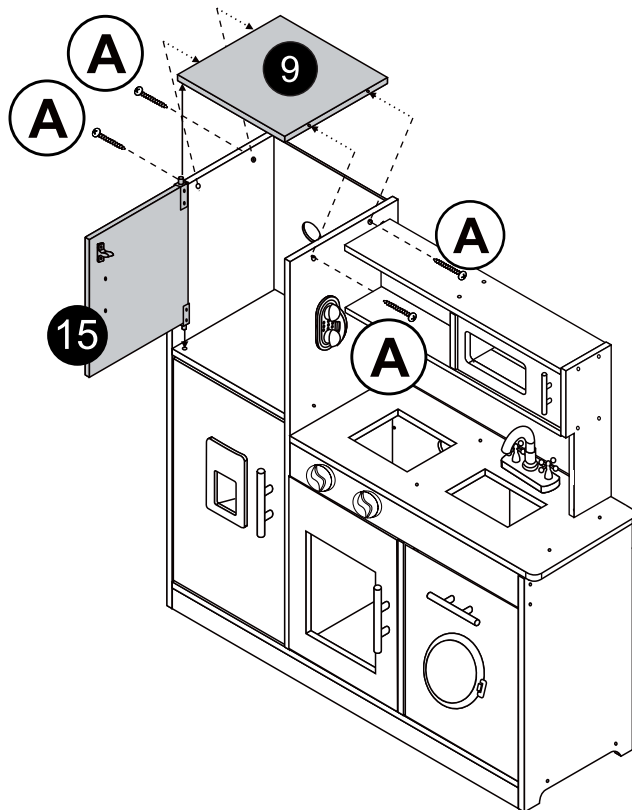


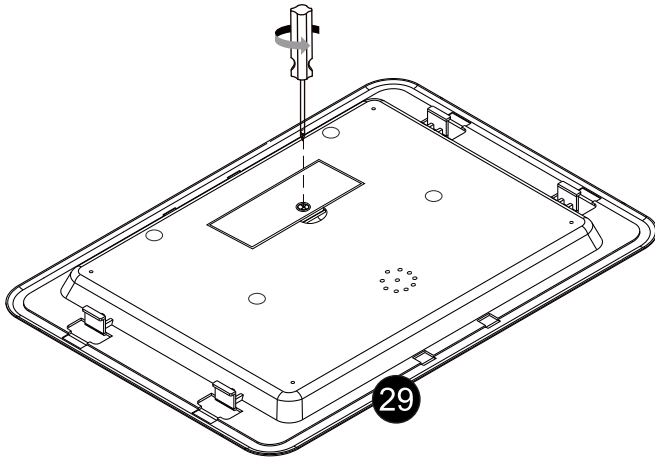
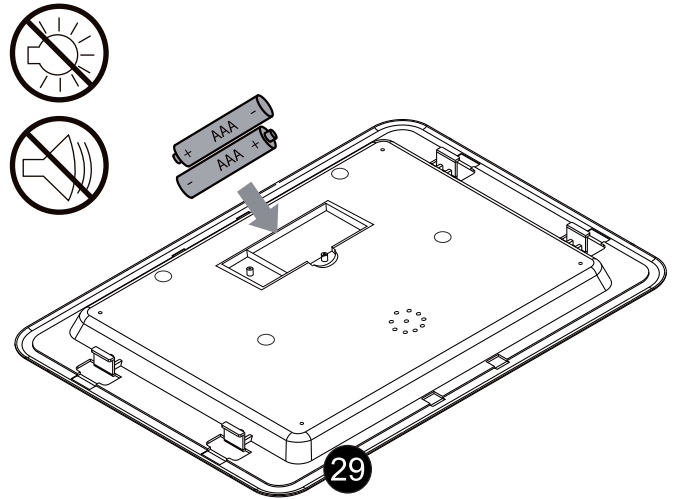
STEP 34  **(A) X6**



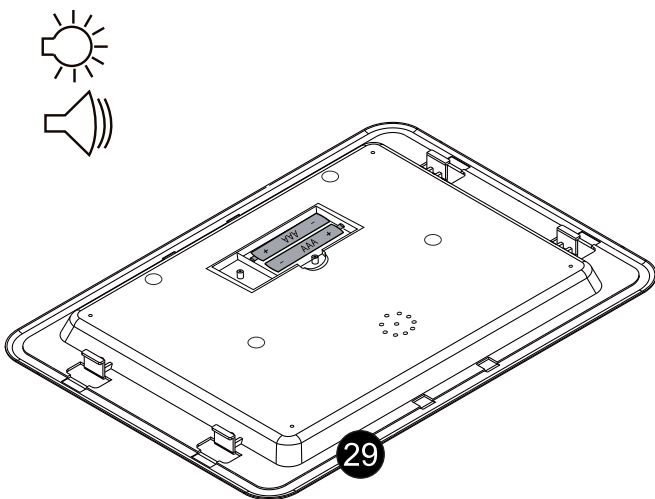
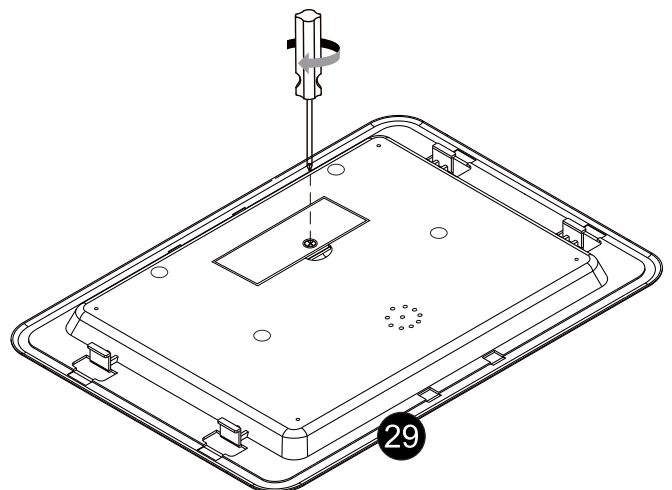
⚠ Use the manual screwdriver

STEP 35  **(A) X4**



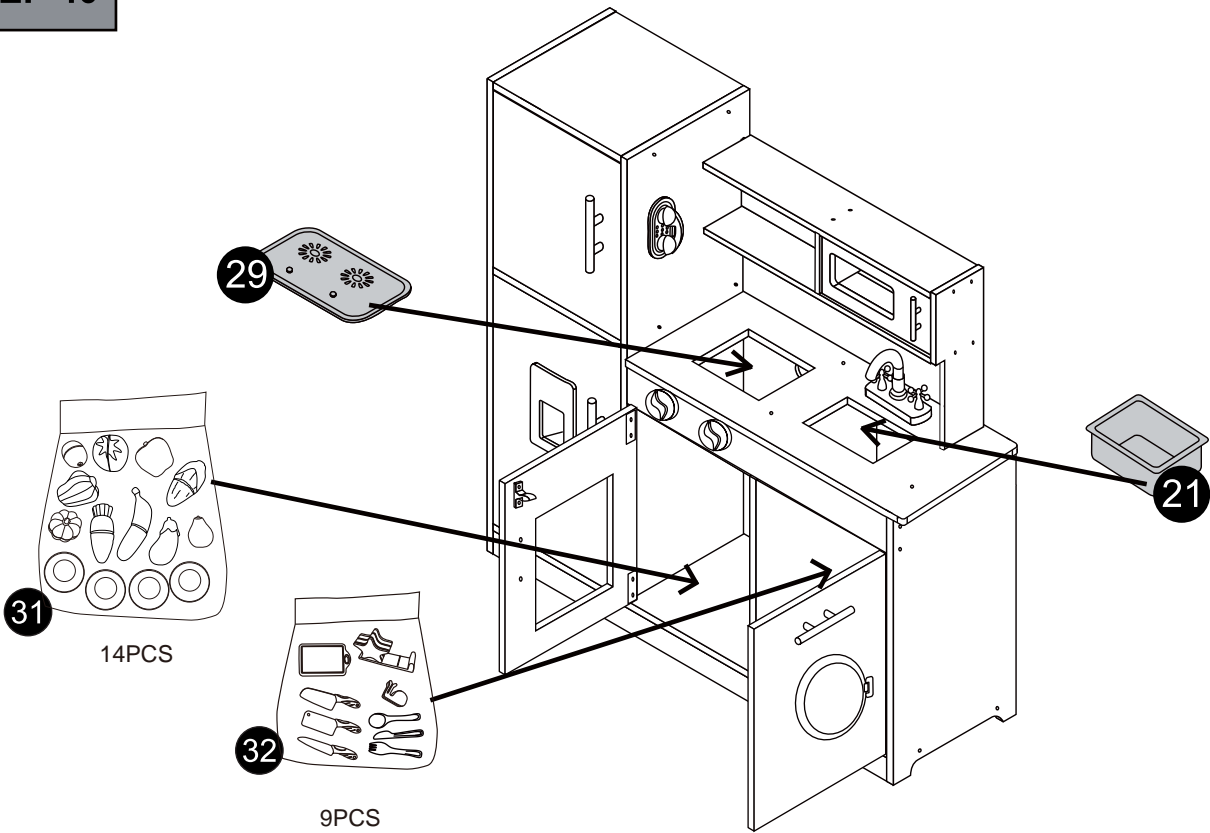
INSTALLATION STEPS**STEP 36****STEP 37**

(Batteries are not included in the package)

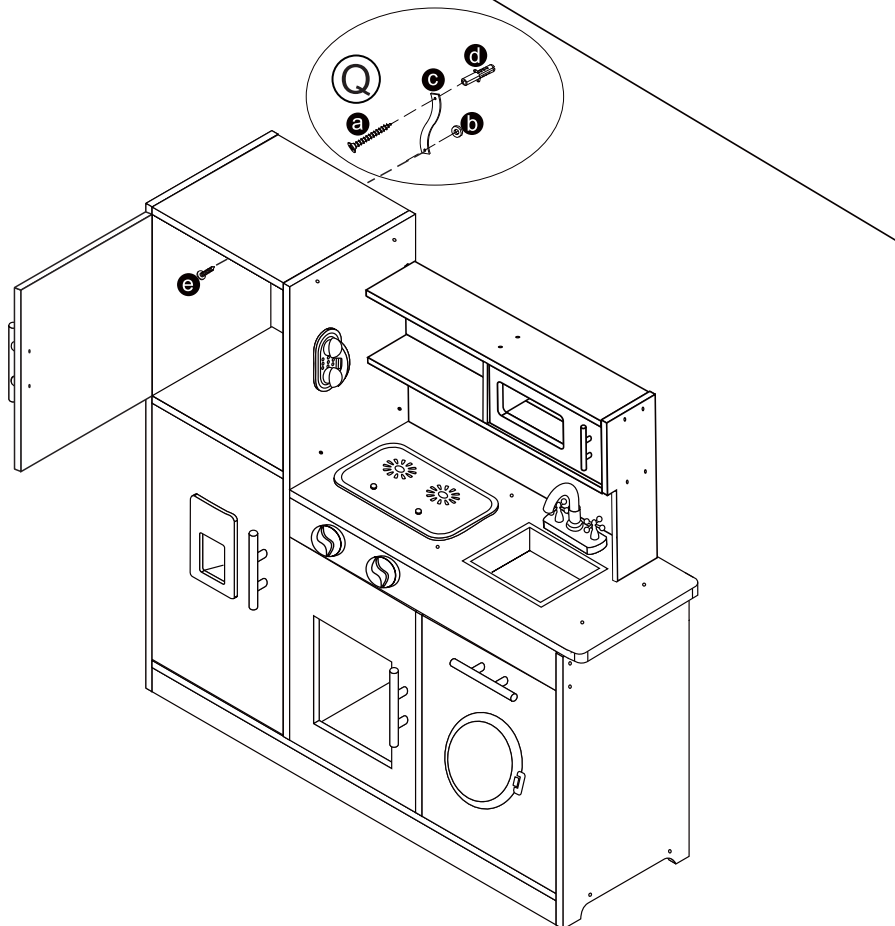
STEP 38**STEP 39**

INSTALLATION STEPS

STEP 40



STEP 41



Please scan the QR code below to view
the installation guide!



Question about your product? We're here to help.

Contact Us Via: babytronicus@outlook.com

We offer 24/7 customer service. If you experience any problems with missing parts, please feel free to contact us. We will arrange for new parts as soon as possible. Your satisfaction is our top priority.

Thank you for choosing us!