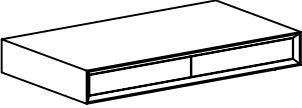
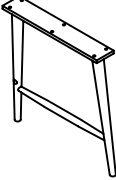
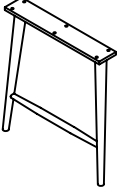
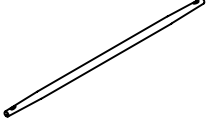


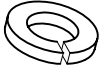
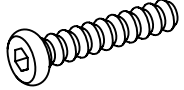
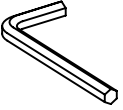
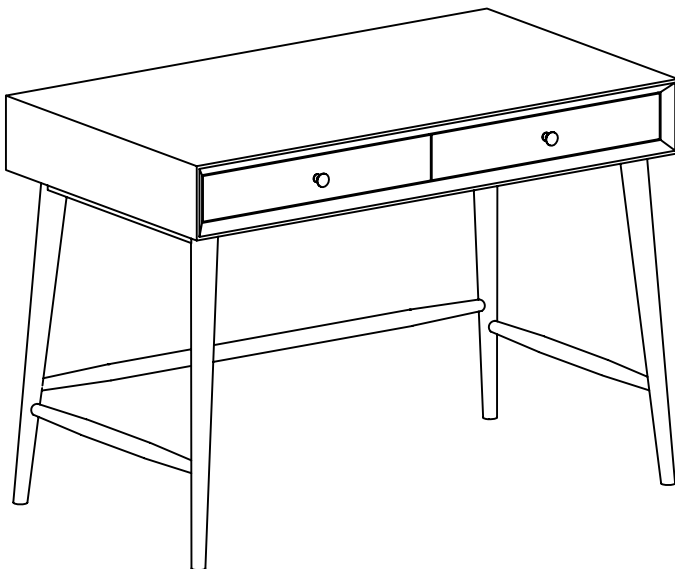


ASSEMBLY INSTRUCTION

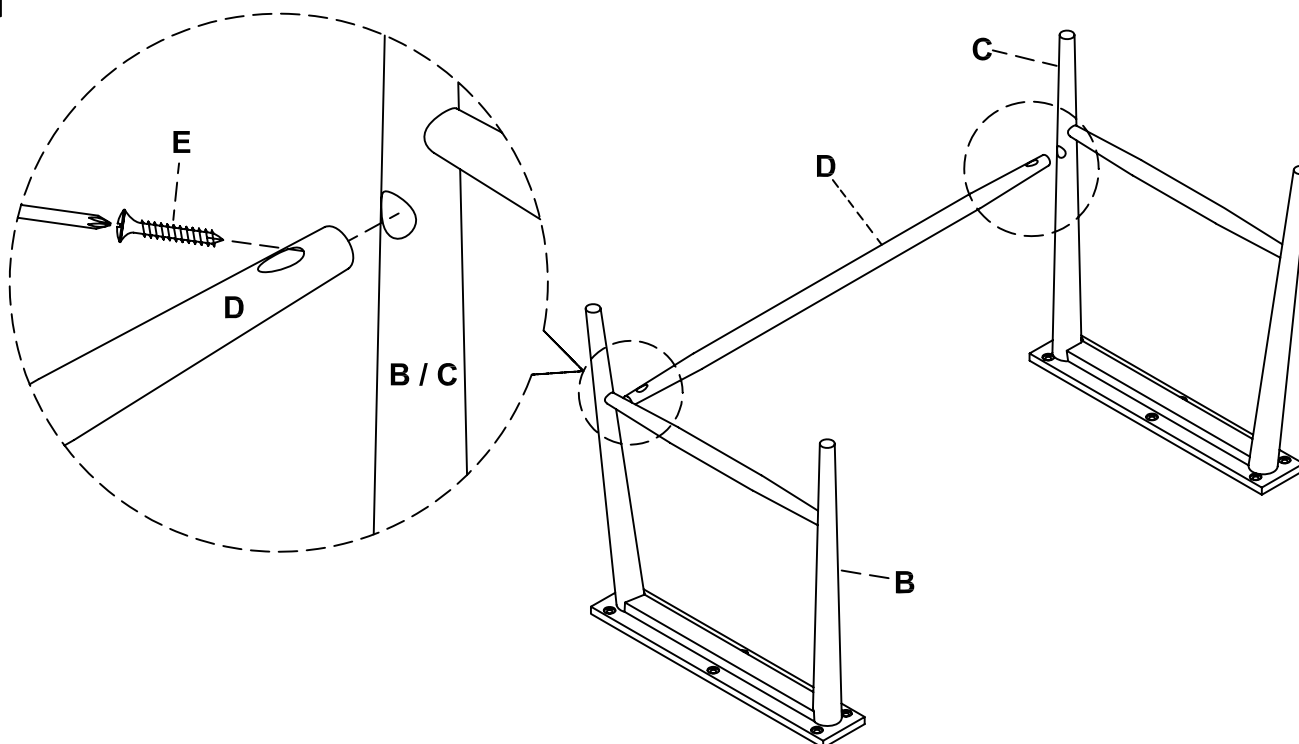
2-DRAWER DESK

A Top  1PC	B Right Leg  1PC	C Left Leg  1PC	D Post  1PC
E Screw 5/32", 1-1/2"  2PCS	F Flat Washer Ø1/4" * 16mm  12PCS	G Lock Washer Ø1/4" * 11mm  12PCS	H Bolt 1/4", 1-1/4"  12PCS
I Allen Wrench 4mm  1PC			

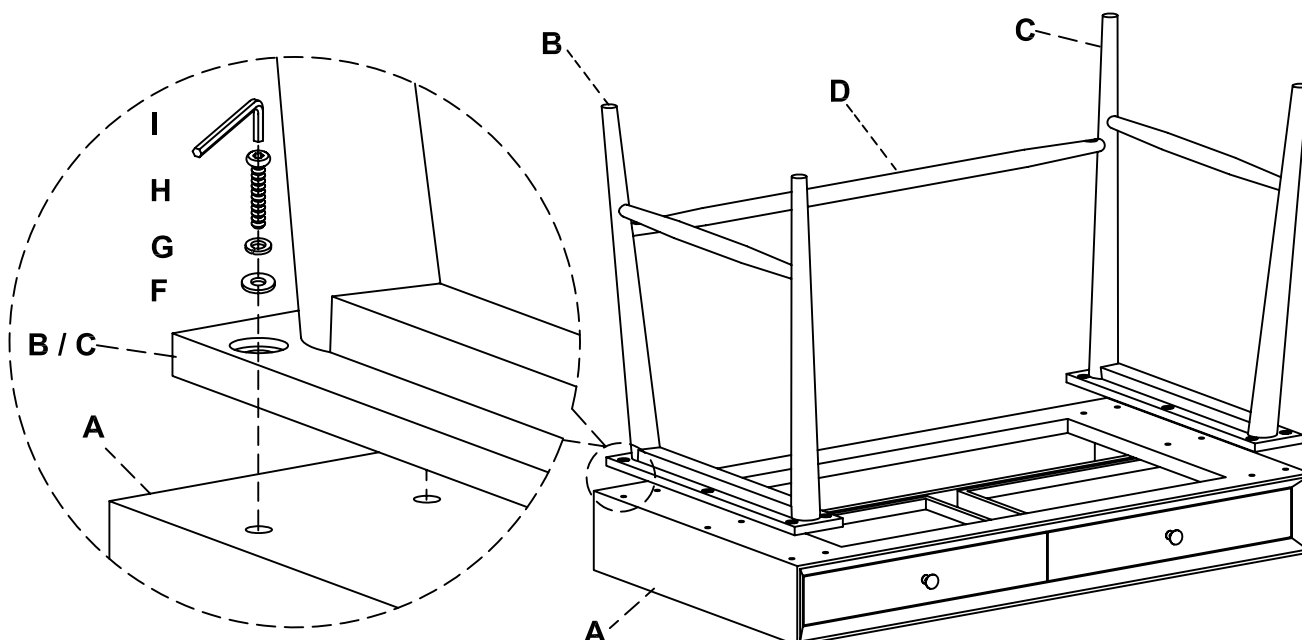


This page lists all the contents included in the box. Please take the time to identify the hardware as well as the individual components to this product. As you unpack and prepare for assembly, place the contents on a carpeted or padded area to protect them from damage.

1 Attached the Post (D) to the Legs (B /C) use Screw (E).



2 Attached the Legs (B / C) to the Table Top (A). Use Bolt (H), Lock Washer (G) and Flat Washer (F), on holes of Legs (B / C). Turn the Allen Wrench (I) in Bolt (H).



Cleaning & Care

Treat surface with care. Surface is resistant to scratches but is not scratch resistant. Clean surface with a dry or damp soft cloth. Do not use abrasive cleaners. Hardware may loosen over time. Periodically check that all connections are tight.