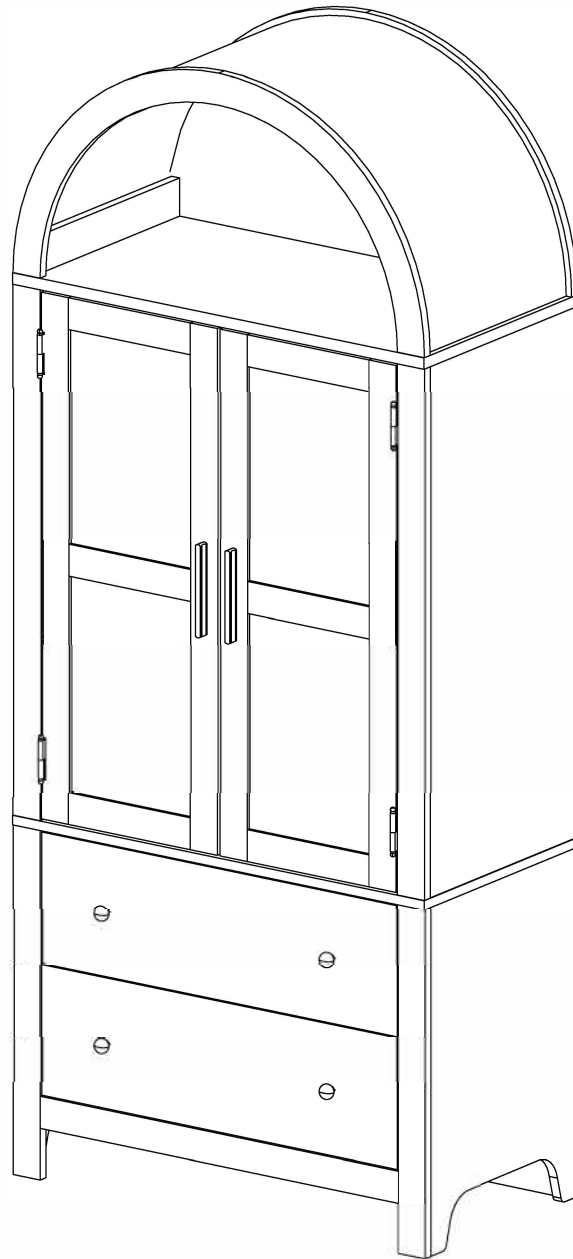


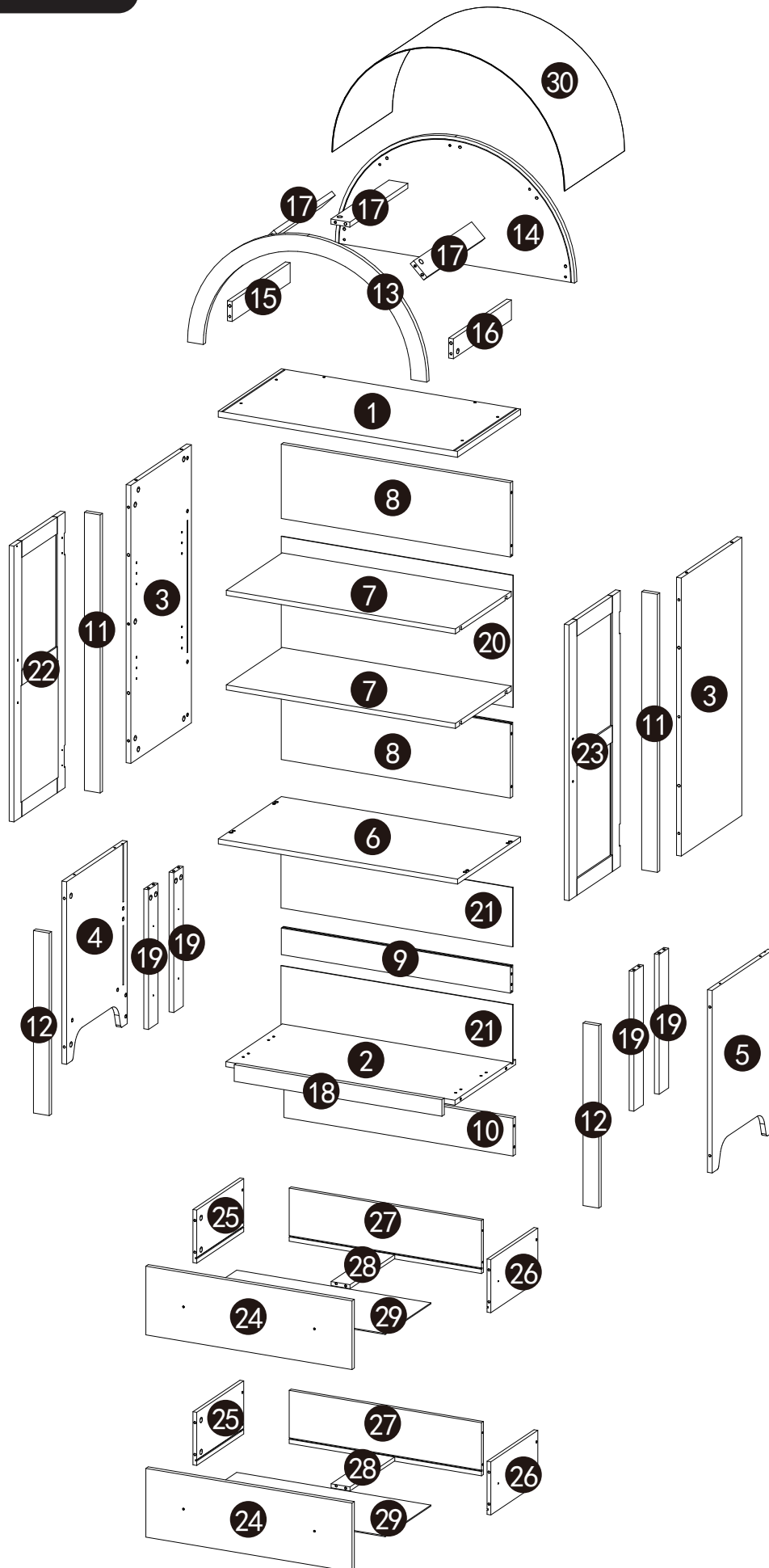
Assembly Instruction

Decorate your home, Brighten wonderful life



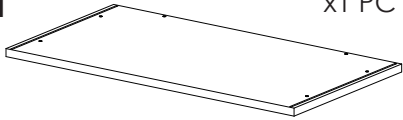
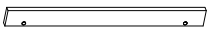
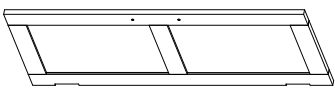
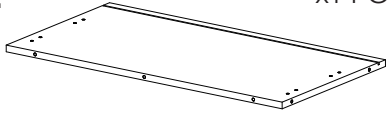
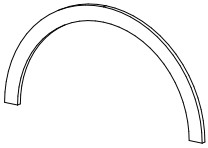
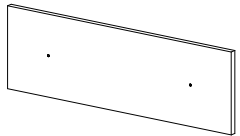
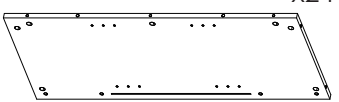
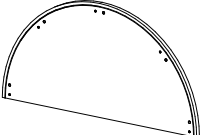
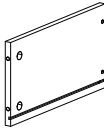
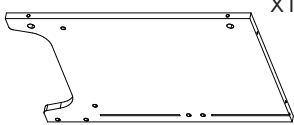
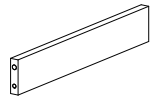
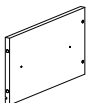
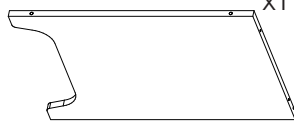
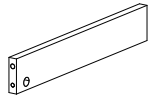
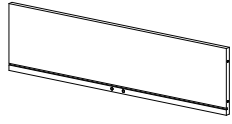
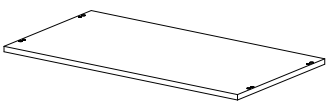
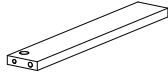
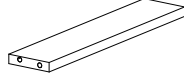
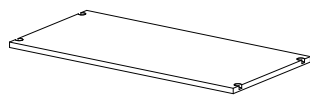
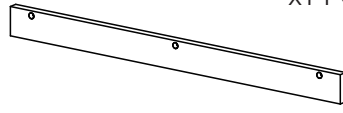

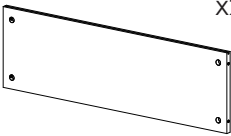

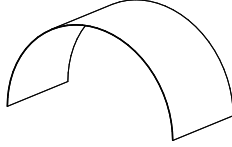

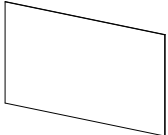
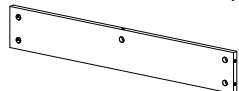
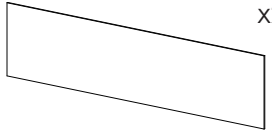
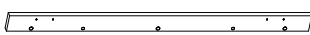
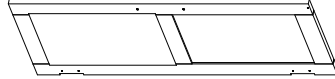
Before installation, please check the instructions and watch the assembly video carefully. If there are any missing parts or installation issues, feel free to contact us

Plate number





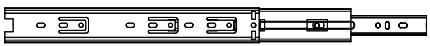

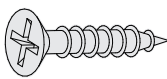

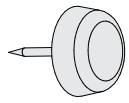
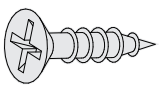
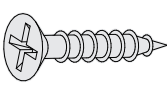
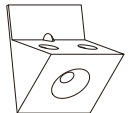

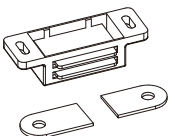
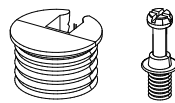

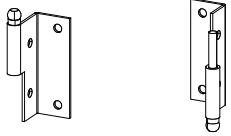
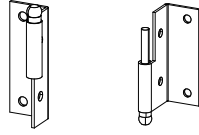
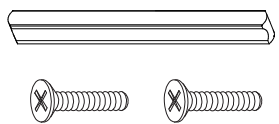

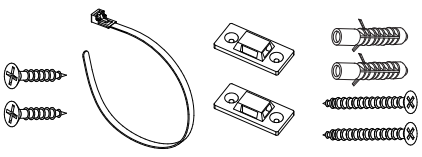
PARTS LIST

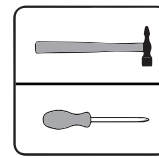
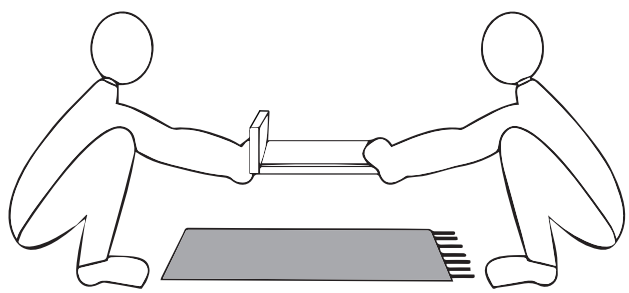
Unit: (mm)

1  x1 PC	12  x2 PC	23  x1 PC
2  x1 PC	13  x1 PC	24  x2 PC
3  x2 PC	14  x1 PC	25  x2 PC
4  x1 PC	15  x1 PC	26  x2 PC
5  x1 PC	16  x1 PC	27  x2 PC
6  x1 PC	17  x3 PC	28  x2 PC
7  x2 PC	18  x1 PC	29  x2 PC
8  x2 PC	19  x4 PC	30  x1 PC
9  x1 PC	20  x1 PC	
10  x1 PC	21  x2 PC	
11  x2 PC	22  x1 PC	

ACCESSORIES LIST

Unit: (mm)

<p>A 6x35 x63 PC</p> 	<p>B 15x10 x63 PC</p> 	<p>C 12 inches x4 PC</p> 
<p>D 8x40 x14 PC</p> 	<p>E M3.5x14 x40 PC</p> 	<p>F M5x40/#3 x31 PC/x1 PC</p> 
<p>G Ø12x5 x8 PC</p> 	<p>H M3.5x12 x8 PC</p> 	<p>J M3x14 x24 PC</p> 
<p>K x20 PC</p> 	<p>L 21mm x16 PC</p> 	<p>M x1 PC</p> 
<p>N x8 PC</p> 	<p>O 6x40 x8 PC</p> 	<p>P x2 PC</p> 
<p>Q x2 PC</p> 	<p>R 128/M4x18 x2 PC/x4 PC</p> 	<p>S M4x18 x4 PC/x4 PC</p> 
<p>T x1 PC</p> 		



INSTALLATION INSTRUCTION

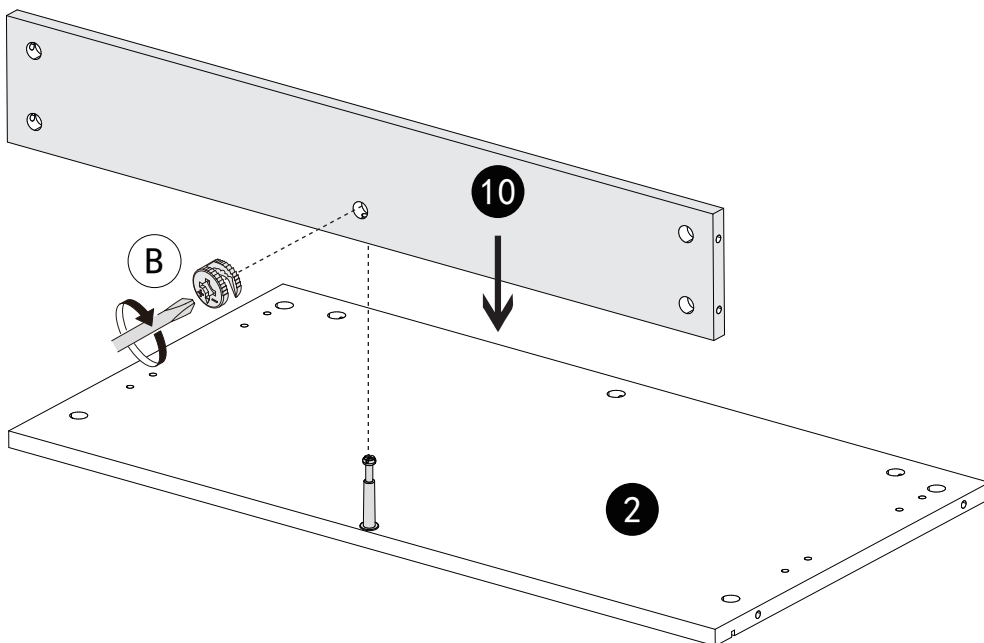
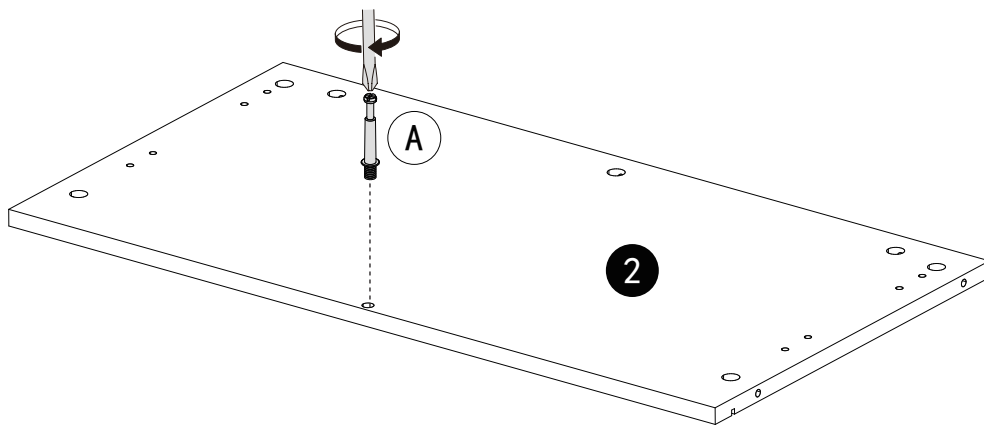
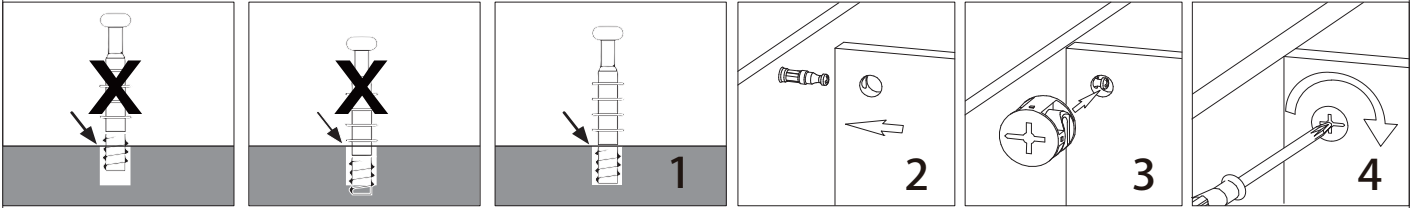
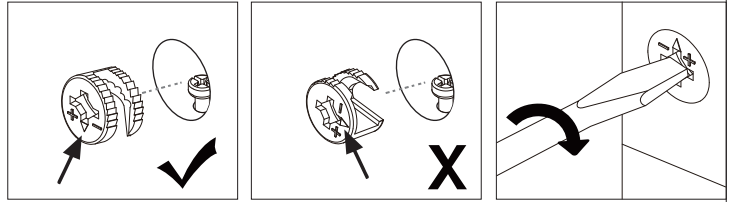
STEP 1

YOU WILL NEED

A x1

B x1

Installation method of three in one rod and buckle

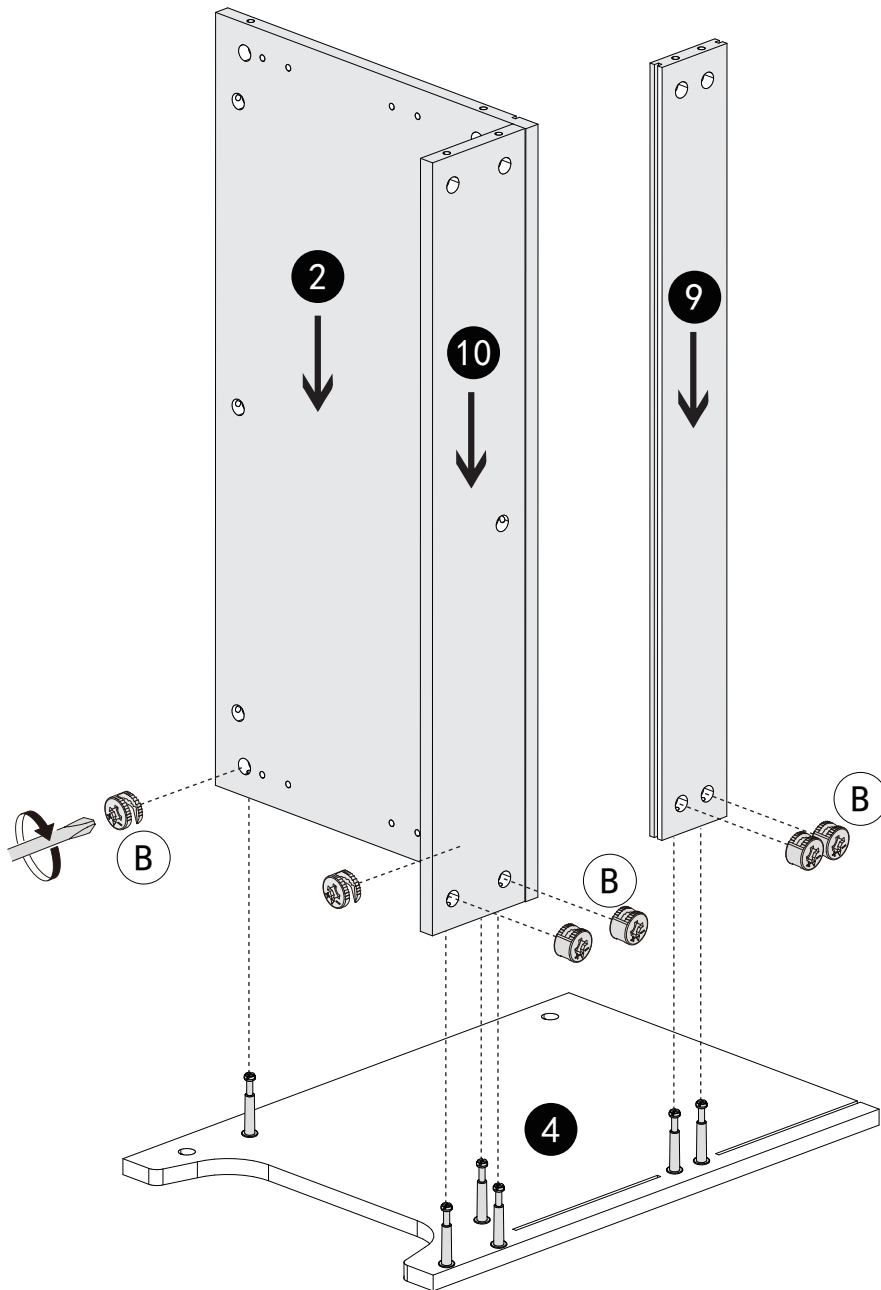
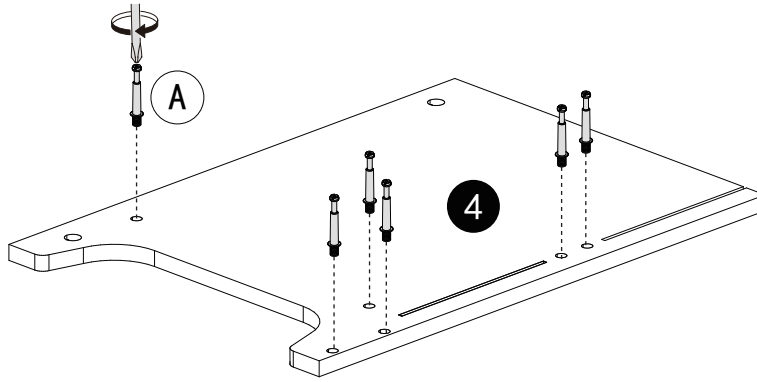


STEP 2

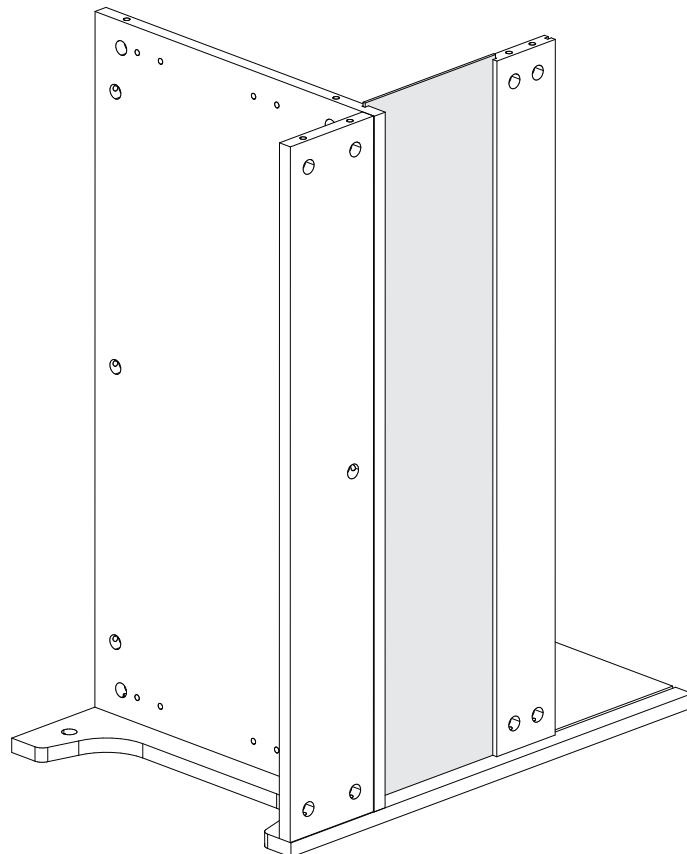
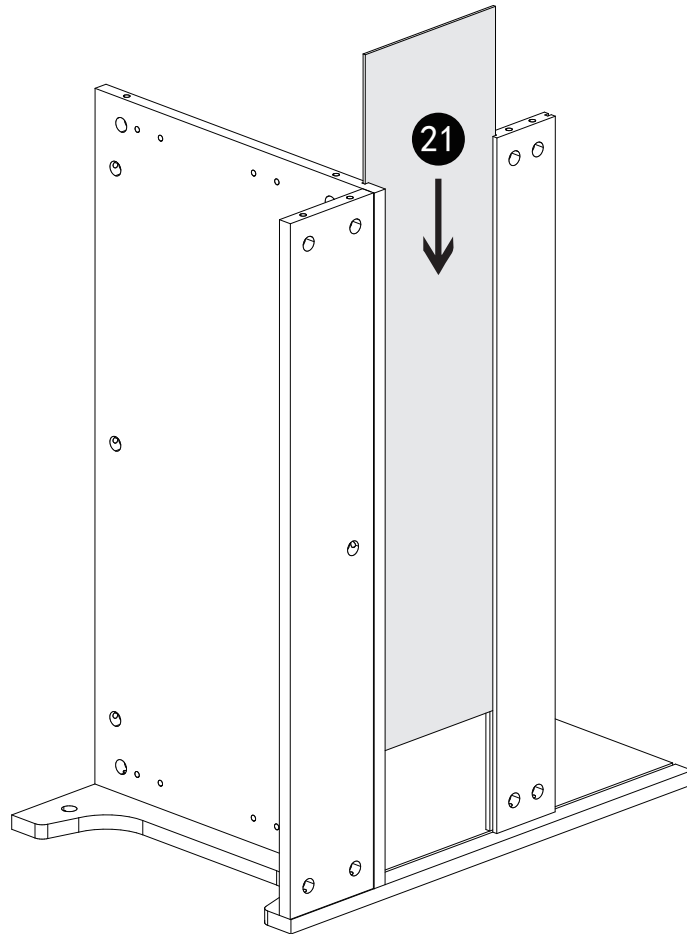
YOU WILL NEED

A x6

B x6



STEP 3

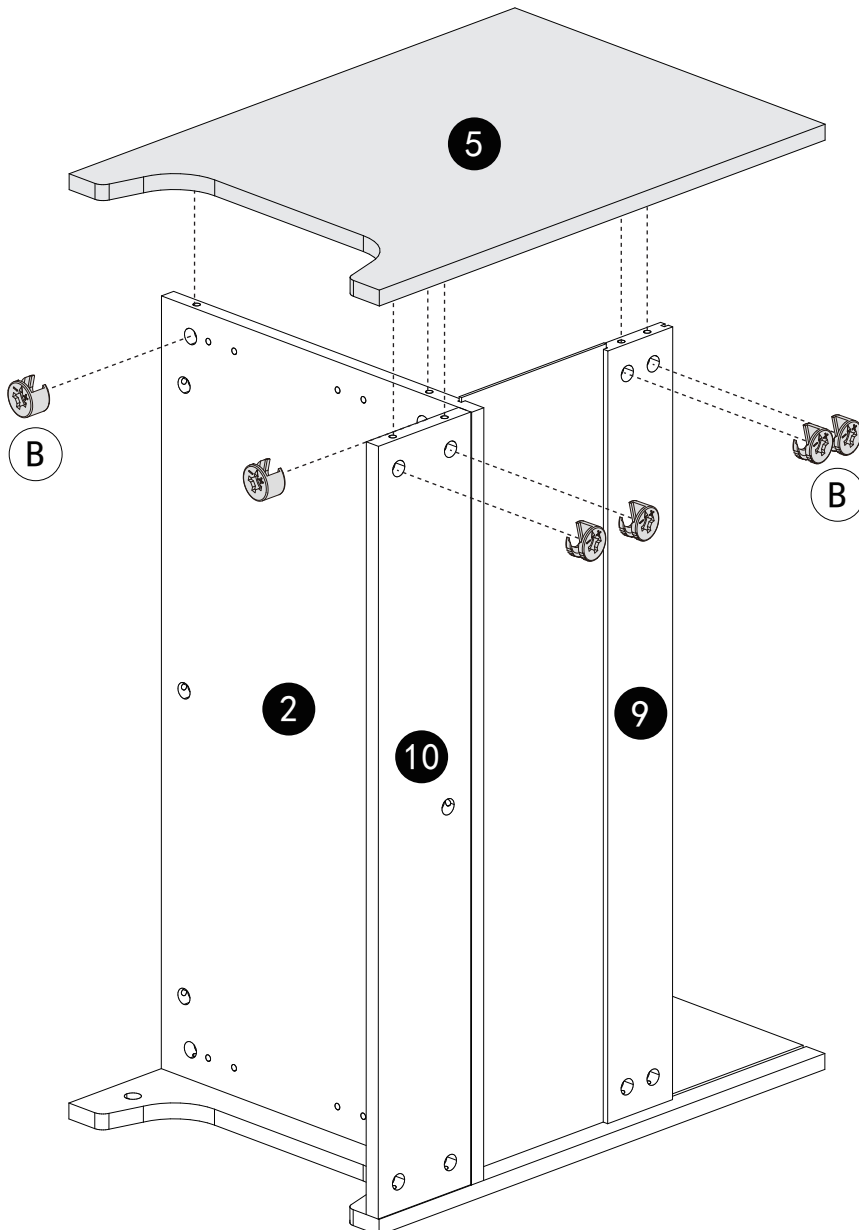
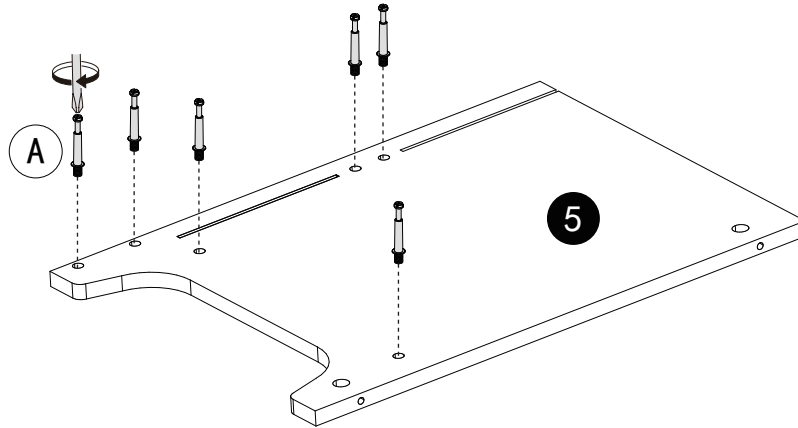


STEP 4

YOU WILL NEED

A x6

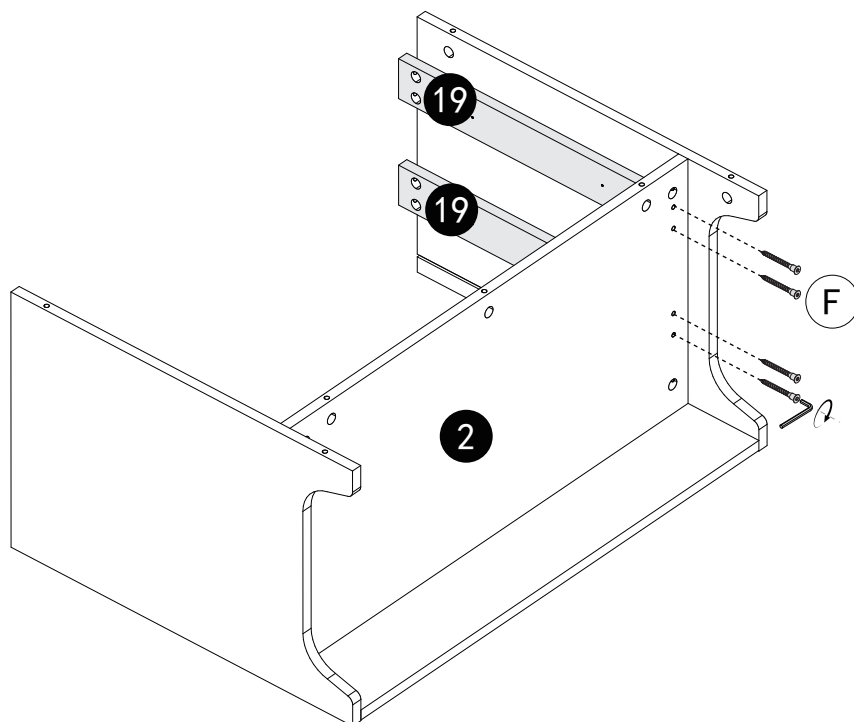
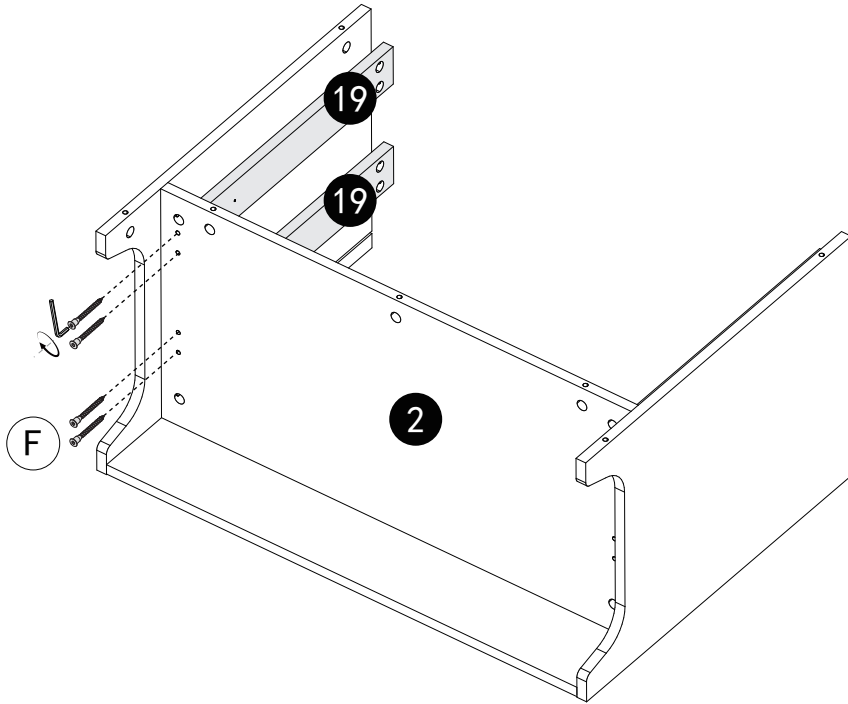
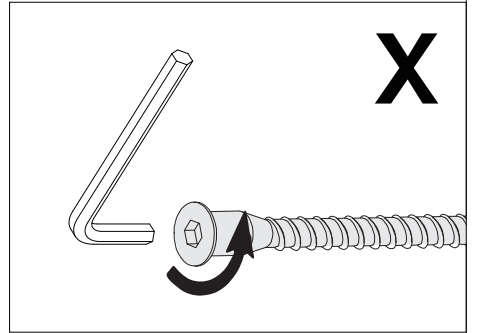
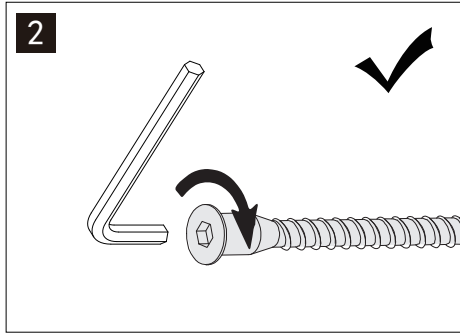
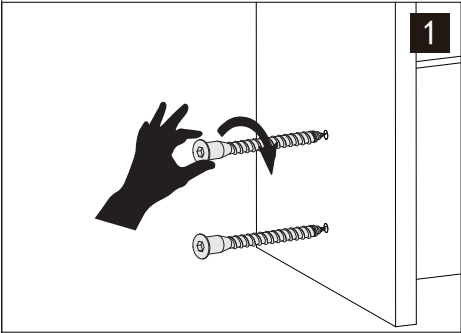
B x6



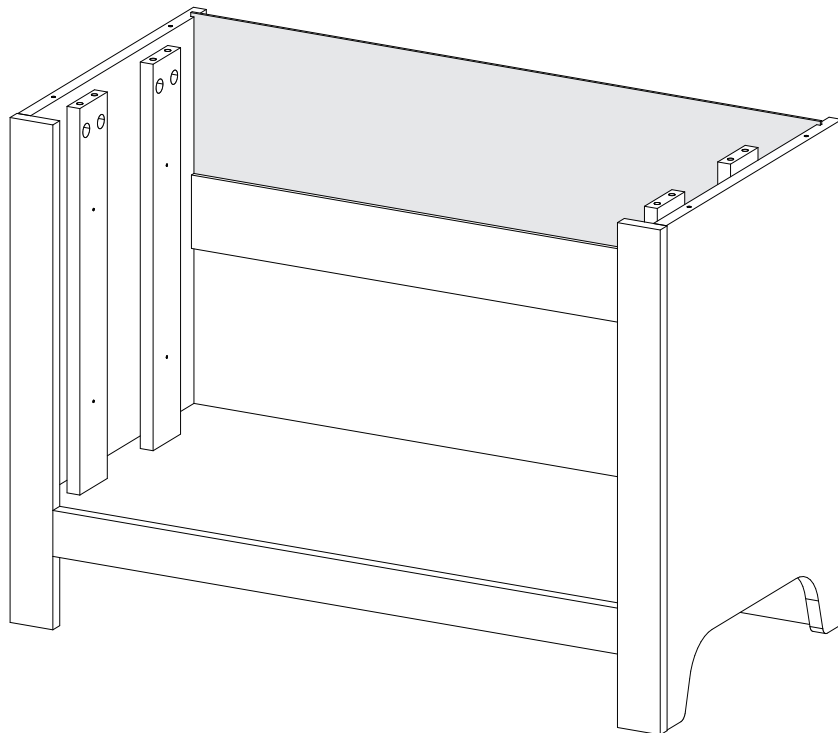
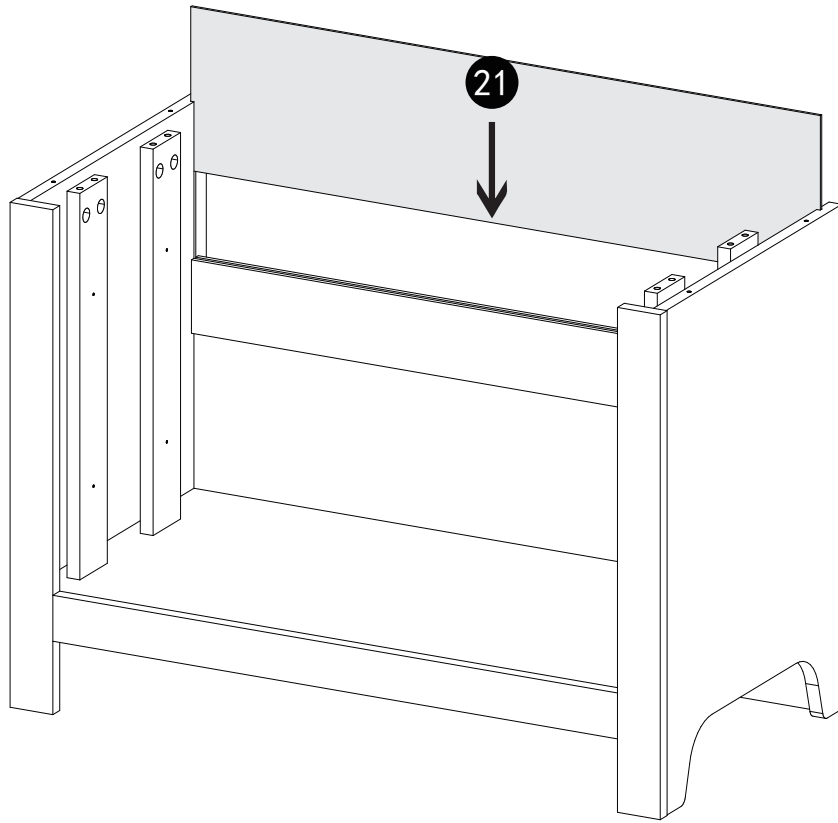
STEP5

YOU WILL NEED

F x8



STEP 7



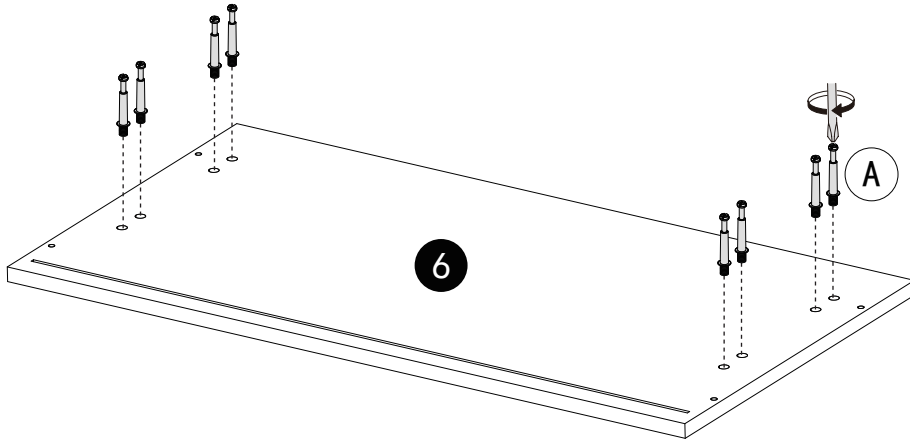
STEP 8

YOU WILL NEED

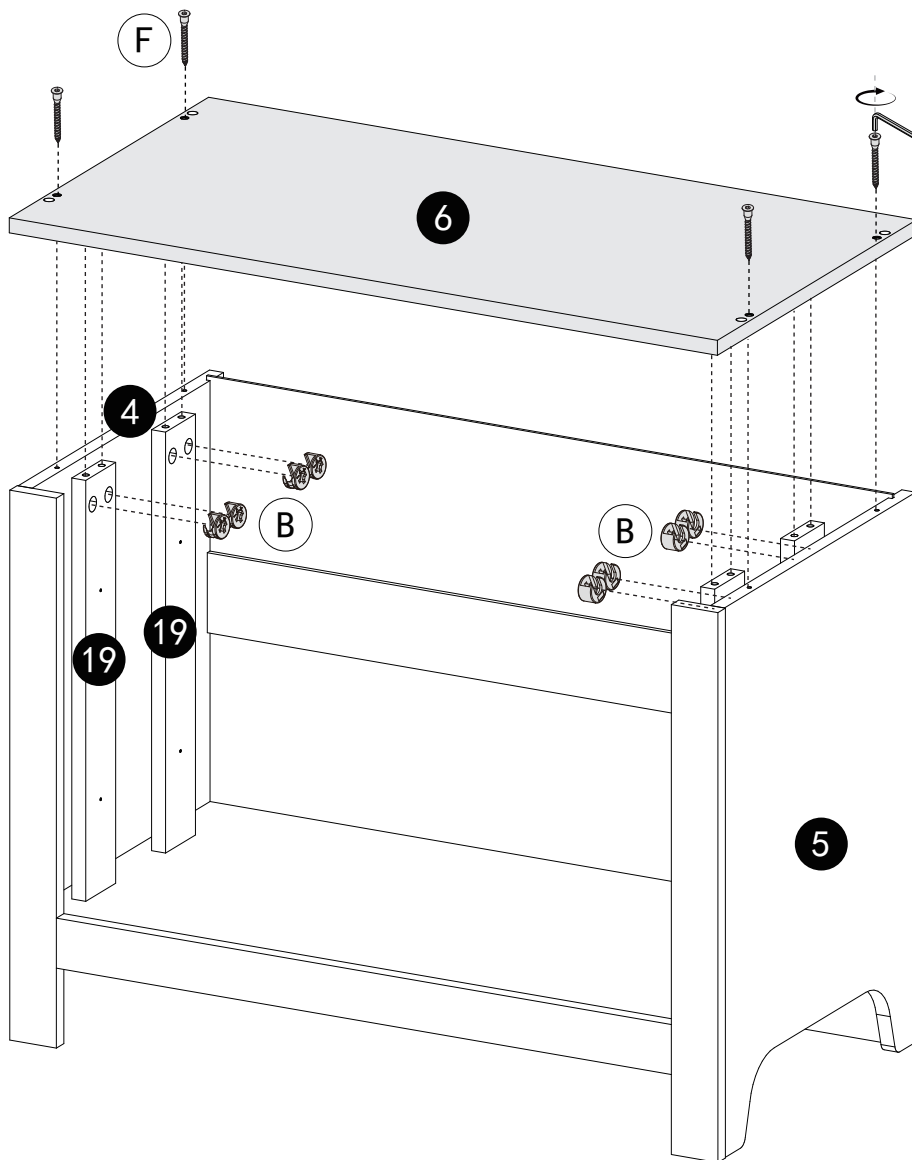
A x8

B x8

F x4

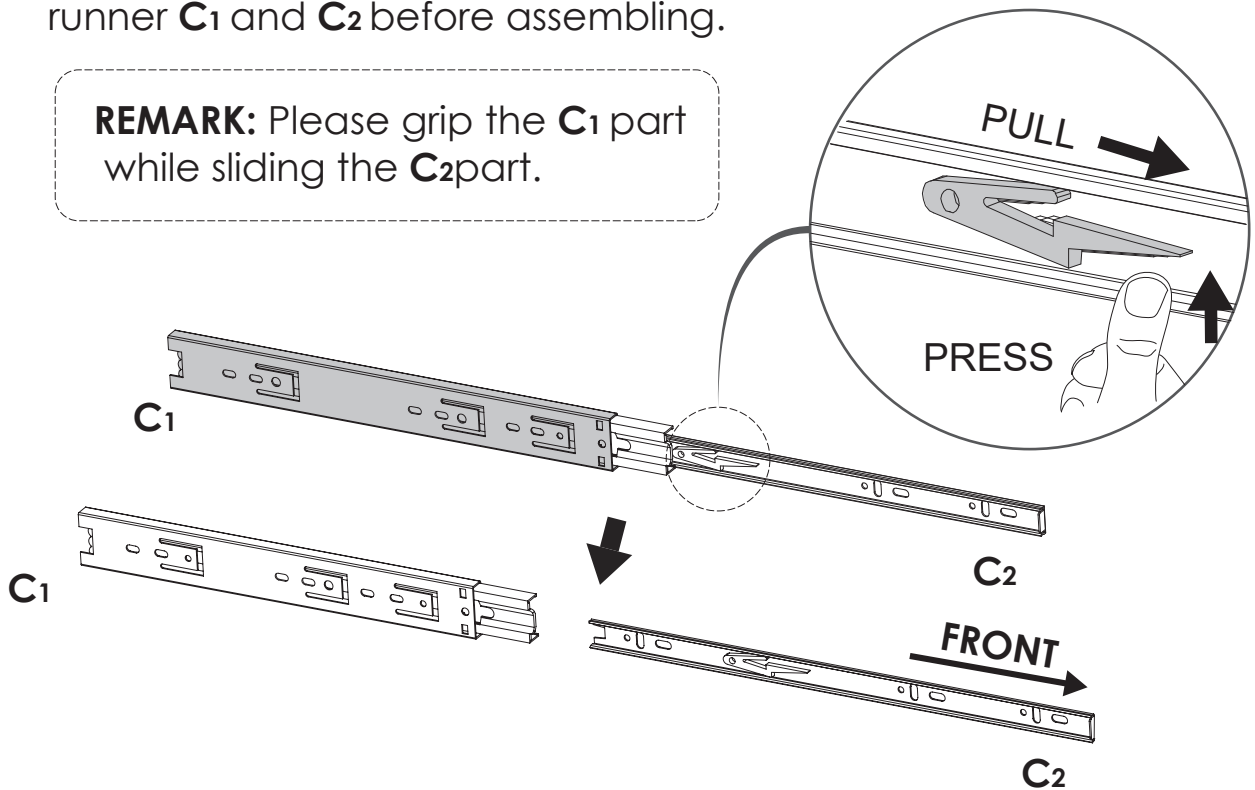


flip over



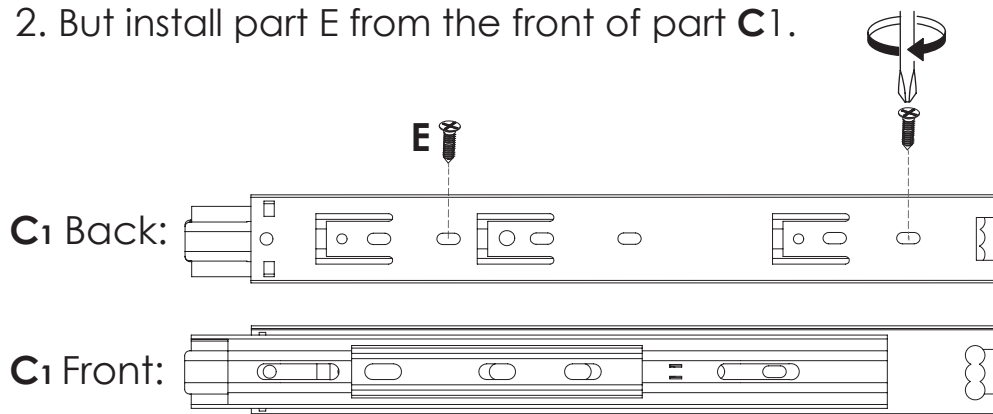
Press the plastic part in the indicated direction to separate drawer runner **C1** and **C2** before assembling.

REMARK: Please grip the **C1** part while sliding the **C2** part.



REMARK:

1. Please locate the holes from the back of part **C1**.
2. But install part E from the front of part **C1**.



3. These two mounting holes can be adjusted back and forth during installation. Adjust the position of the screws appropriately so that the top edge of part **C1** aligns flush with the edge line of Part 12.

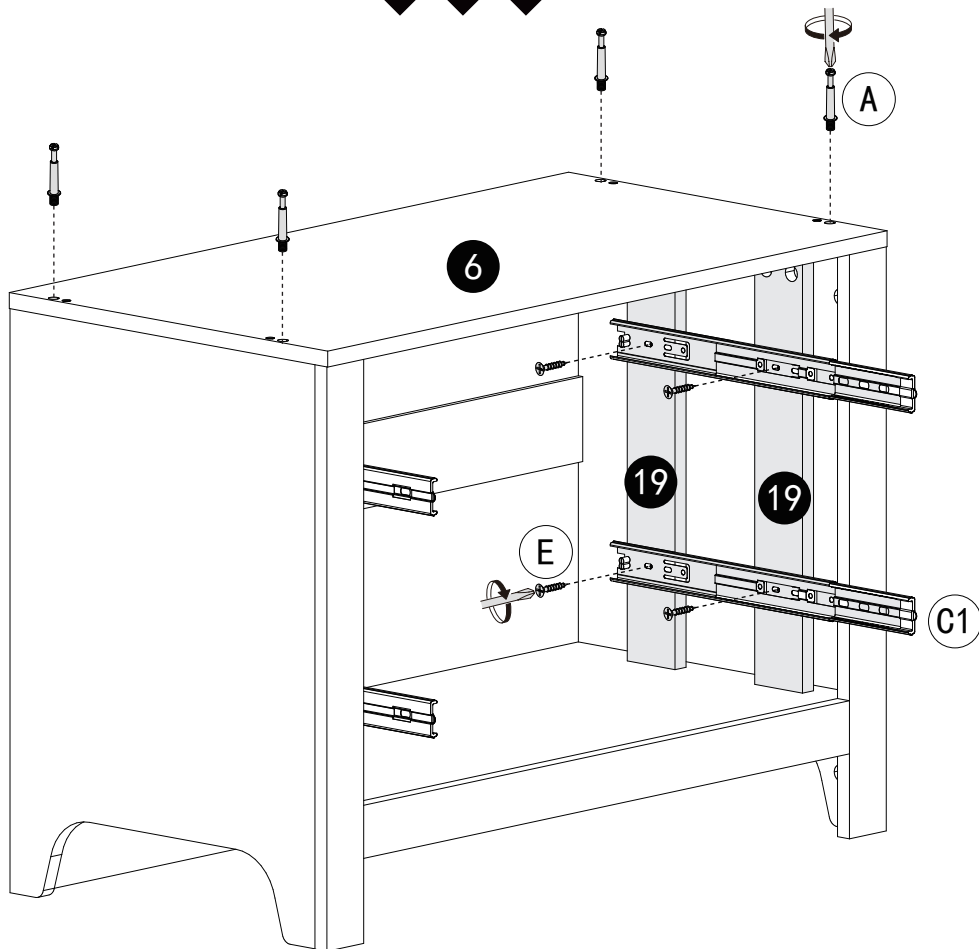
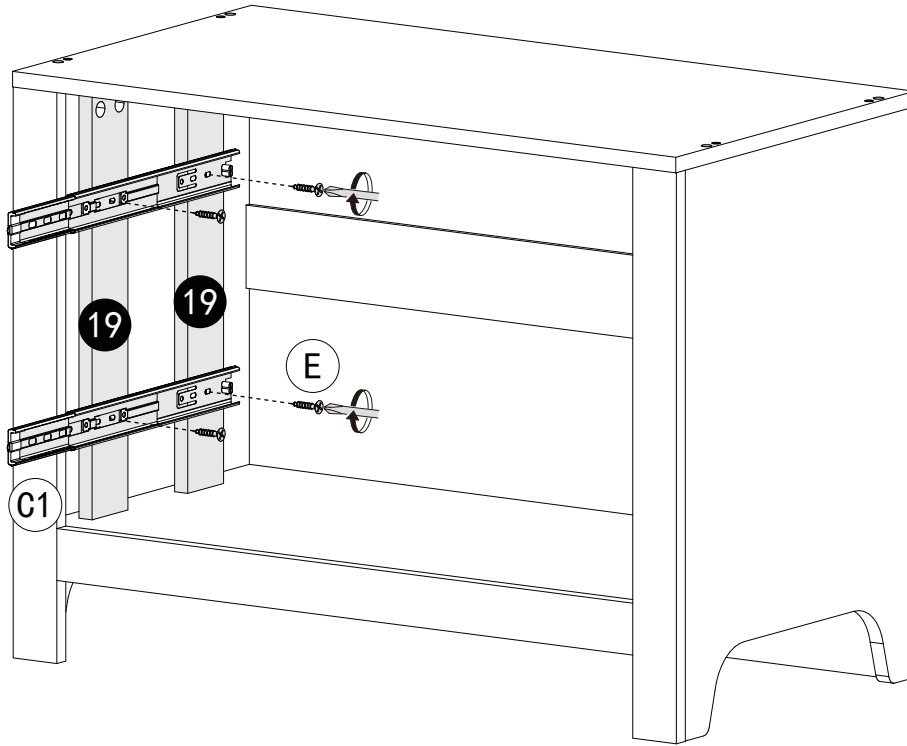
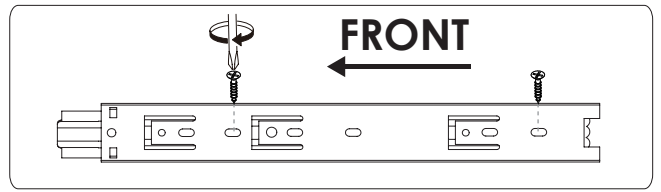
STEP 10

YOU WILL NEED

C1 x4

E x8

A x4

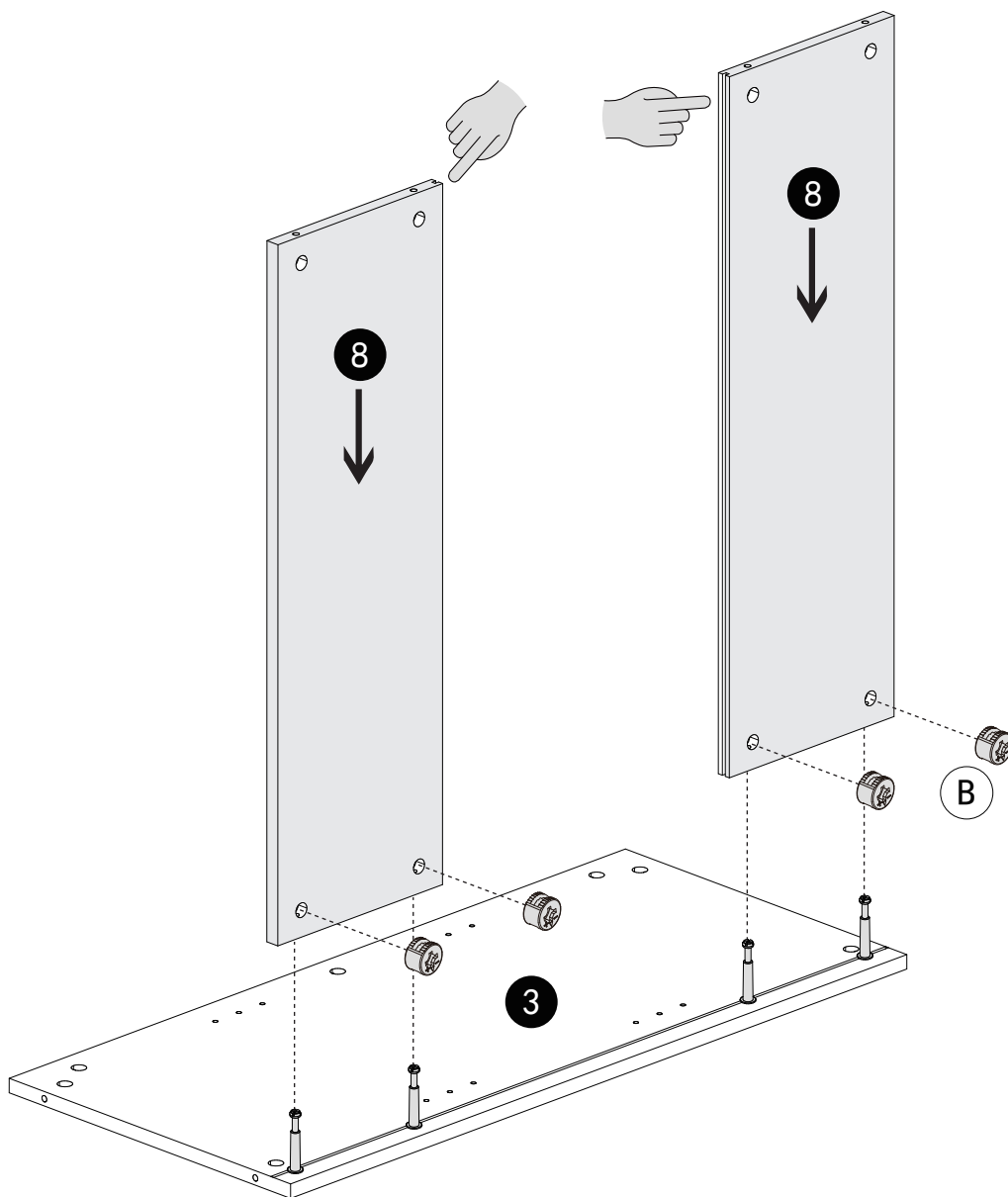
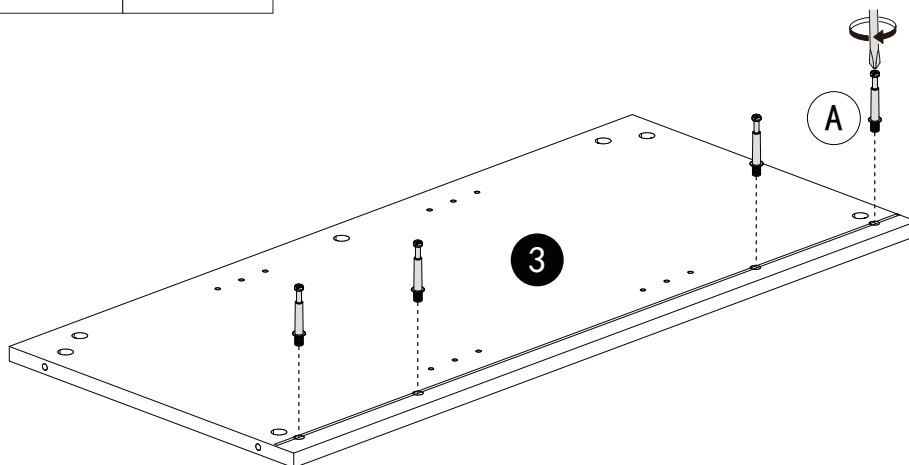


STEP 11

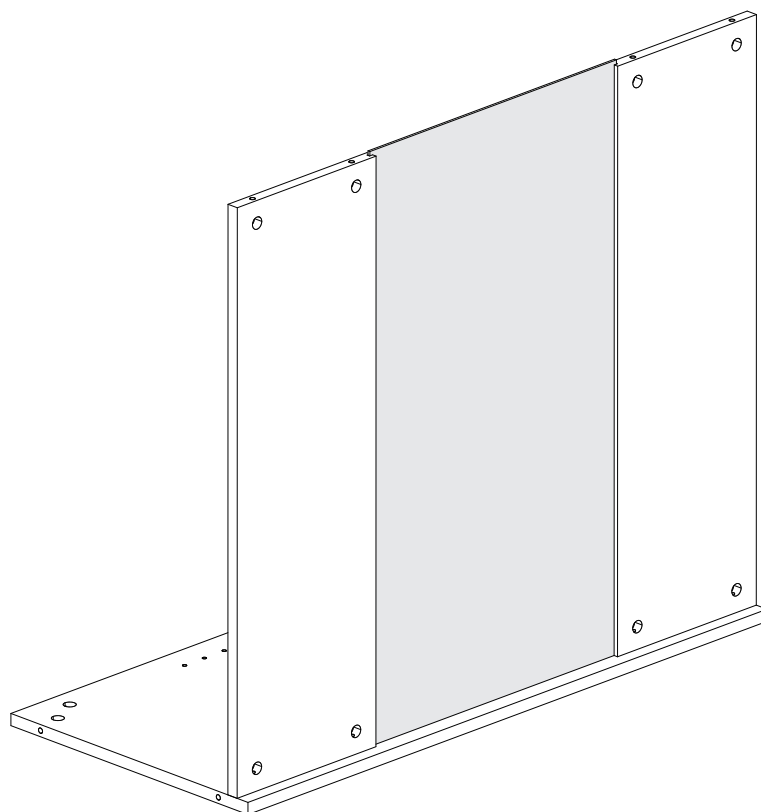
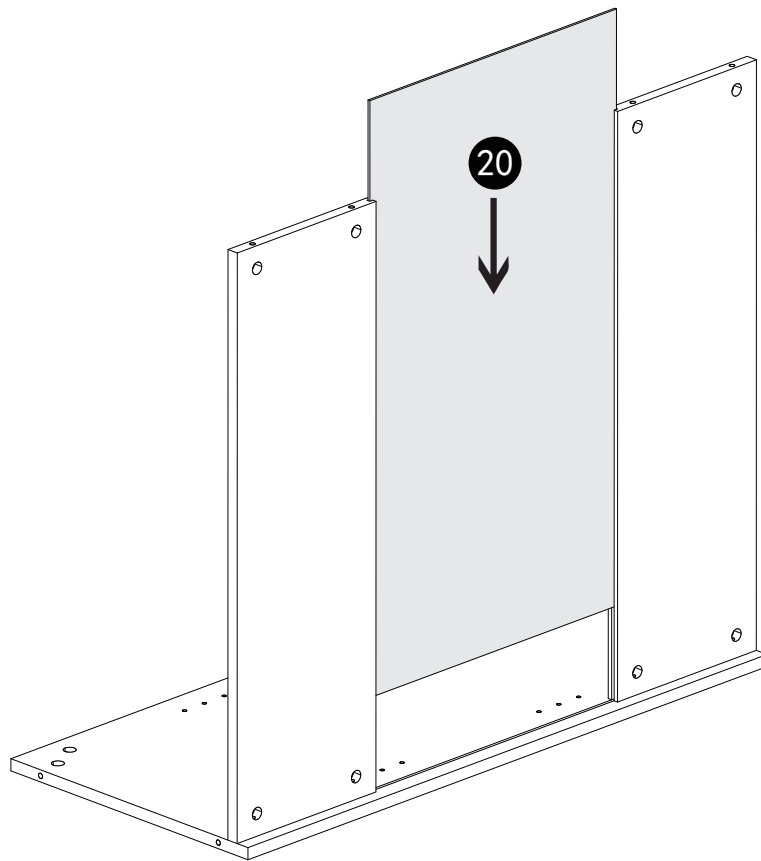
YOU WILL NEED

A x4

B x4



STEP 12

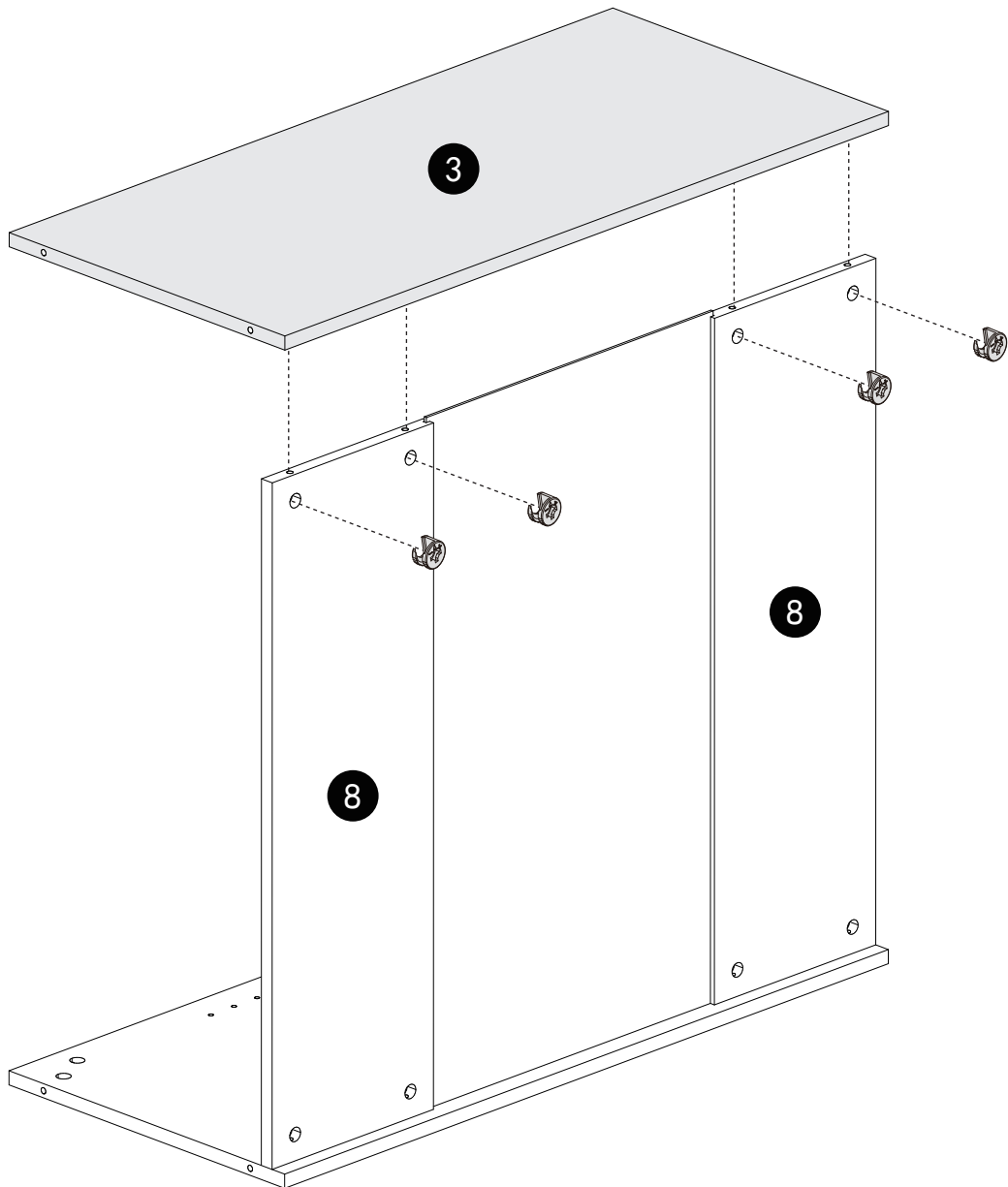
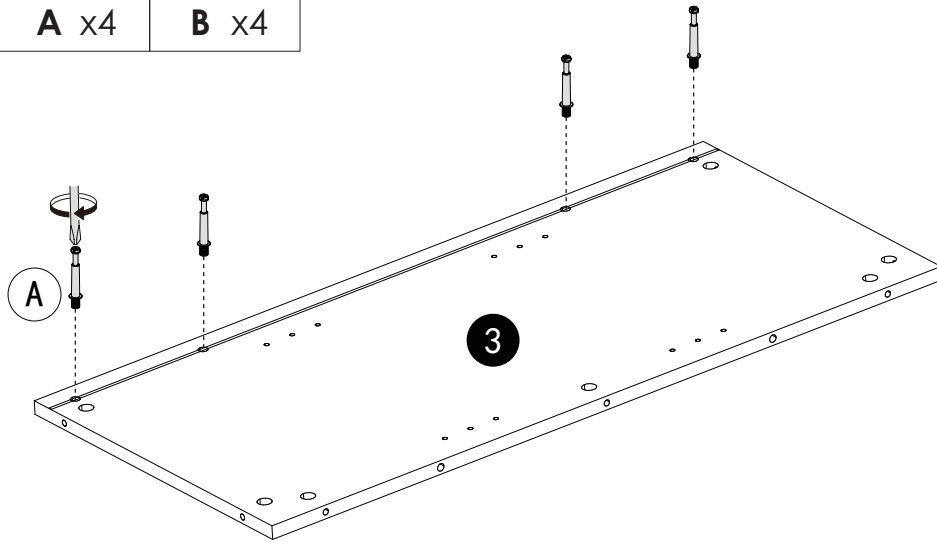


STEP 13

YOU WILL NEED

A x4

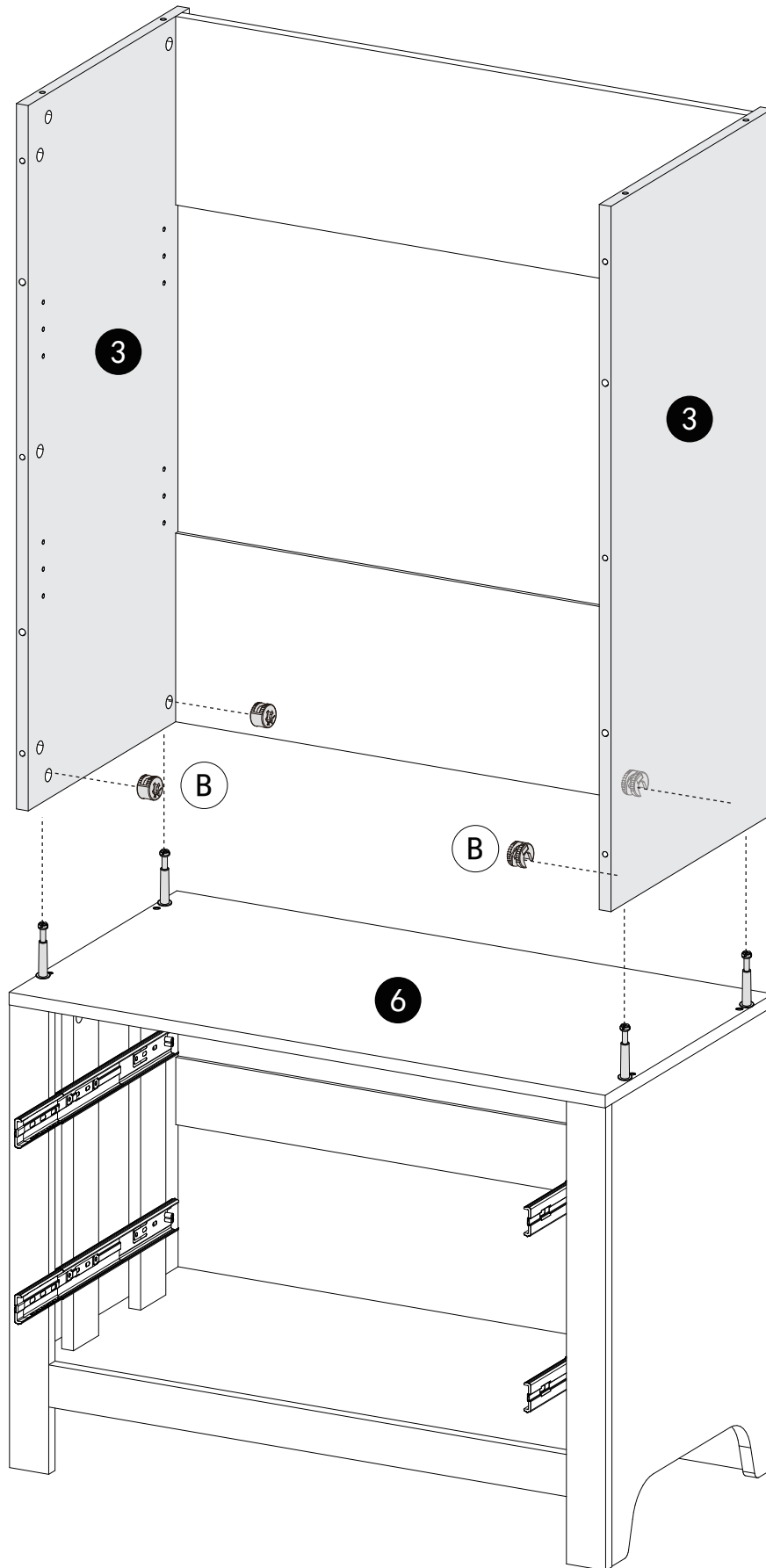
B x4



STEP 14

YOU WILL NEED

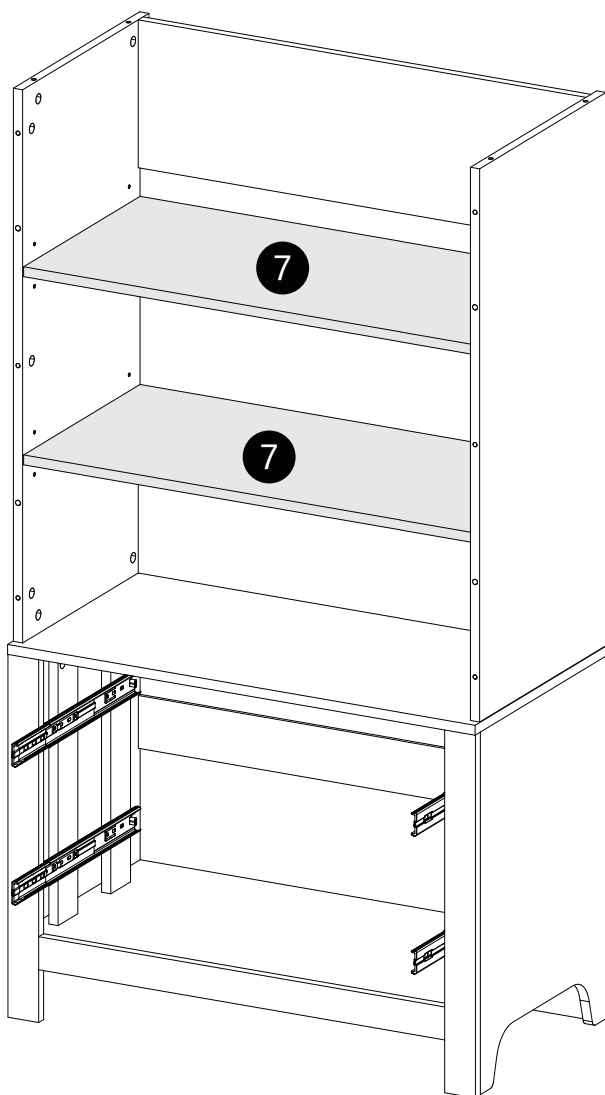
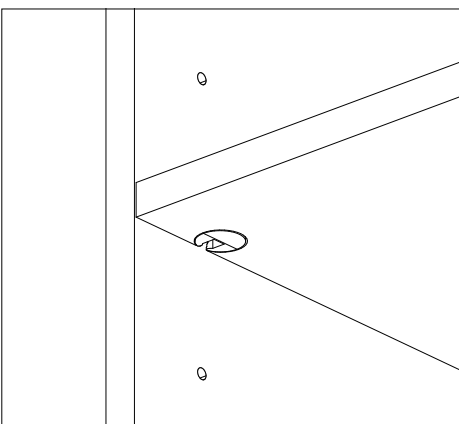
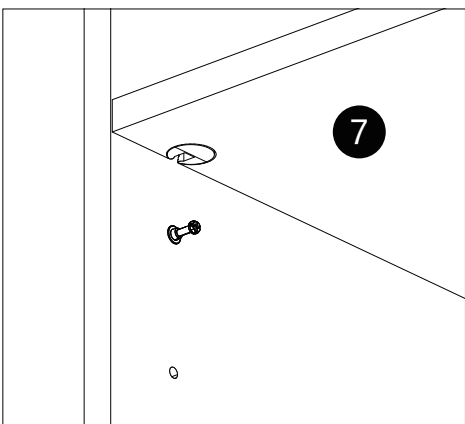
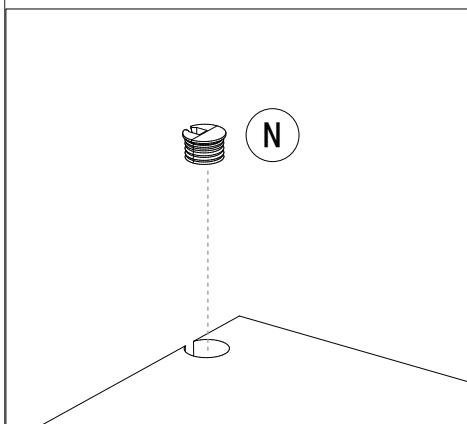
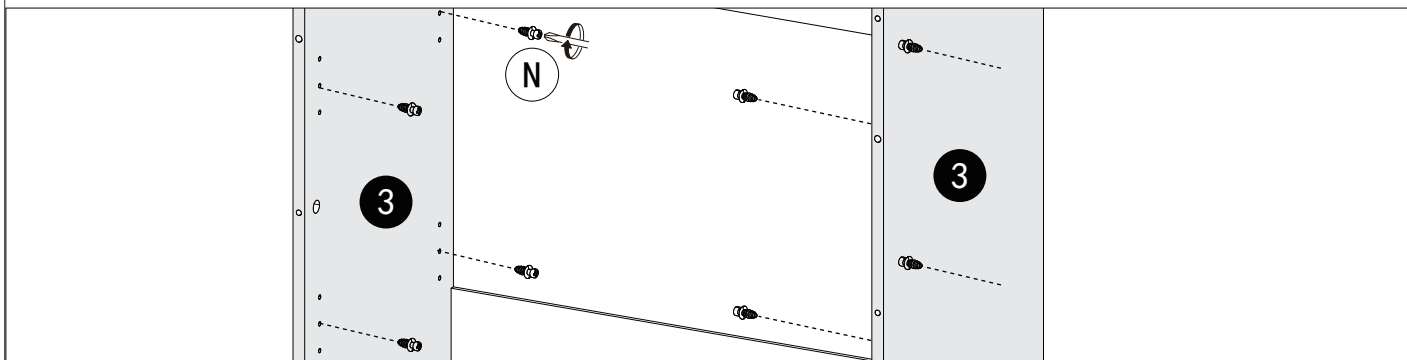
B x4



STEP 15

YOU WILL NEED

N x8



STEP 17

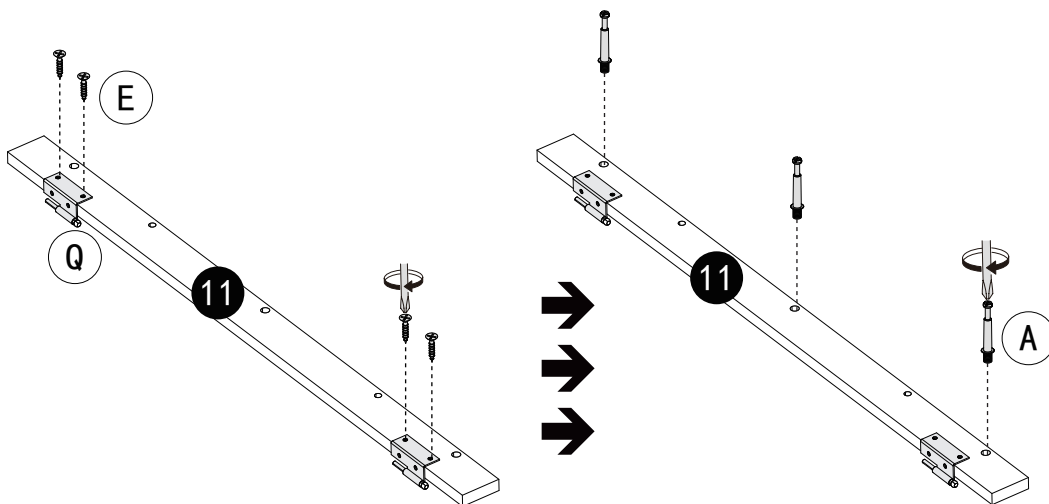
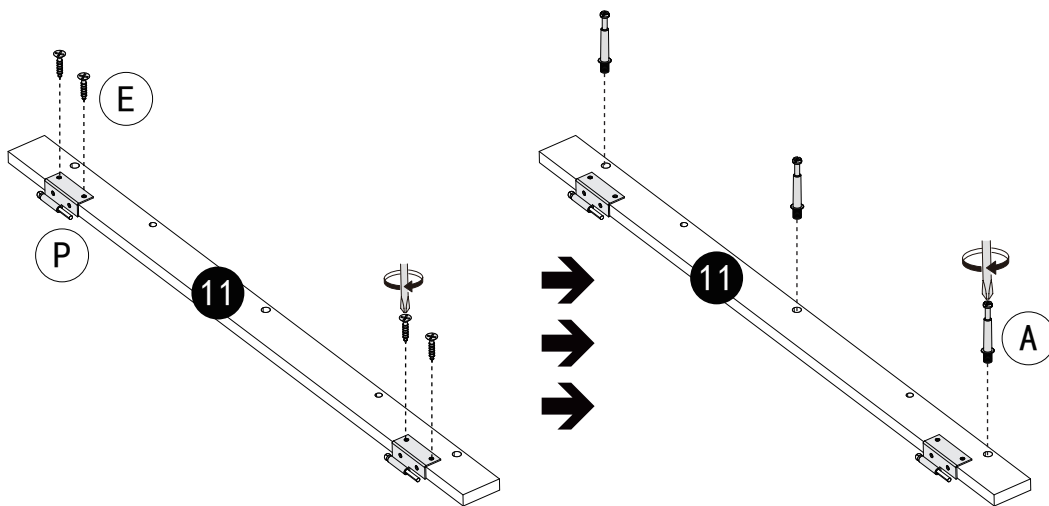
YOU WILL NEED

E x8

P x2

Q x2

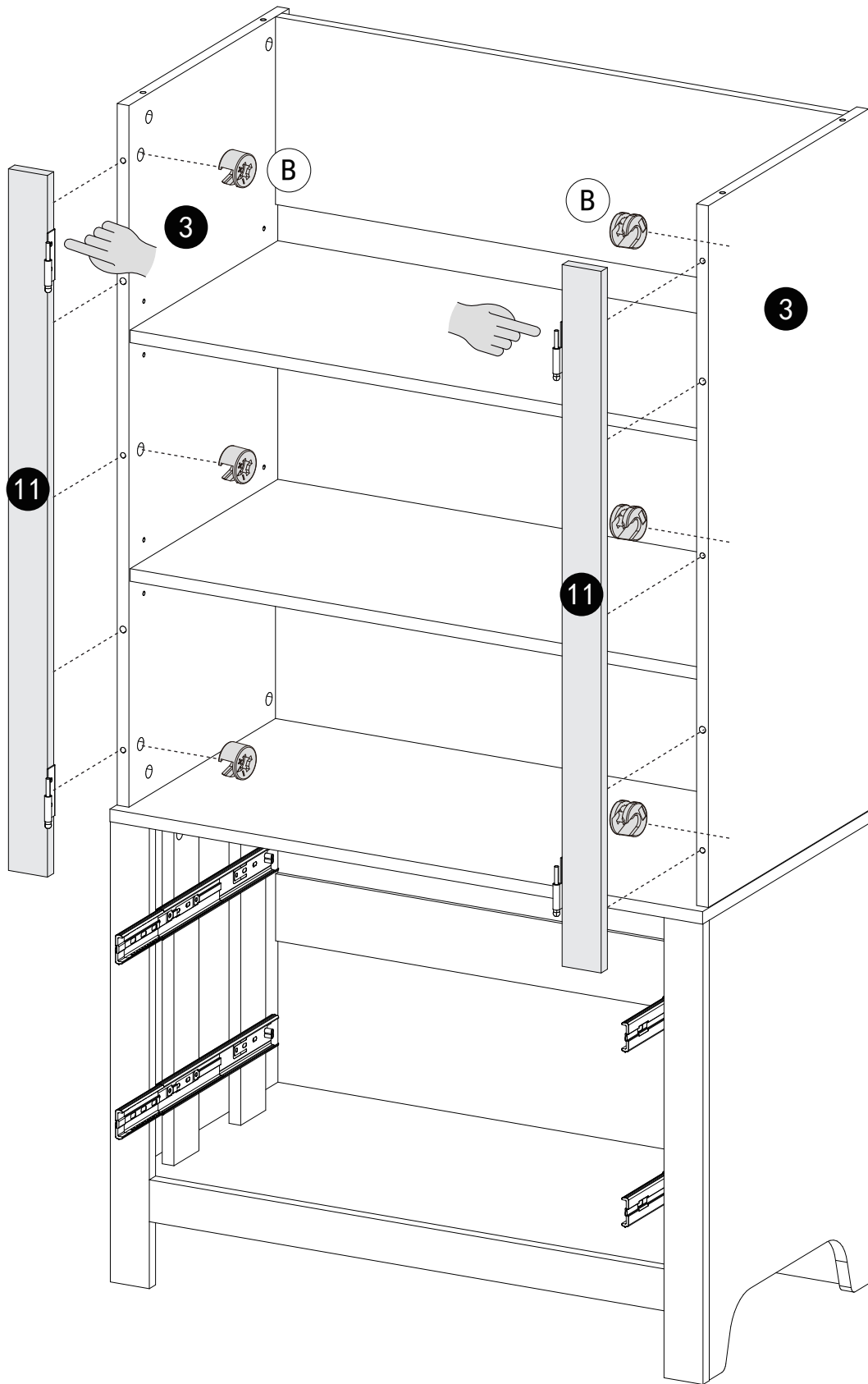
A x6



STEP 18

YOU WILL NEED

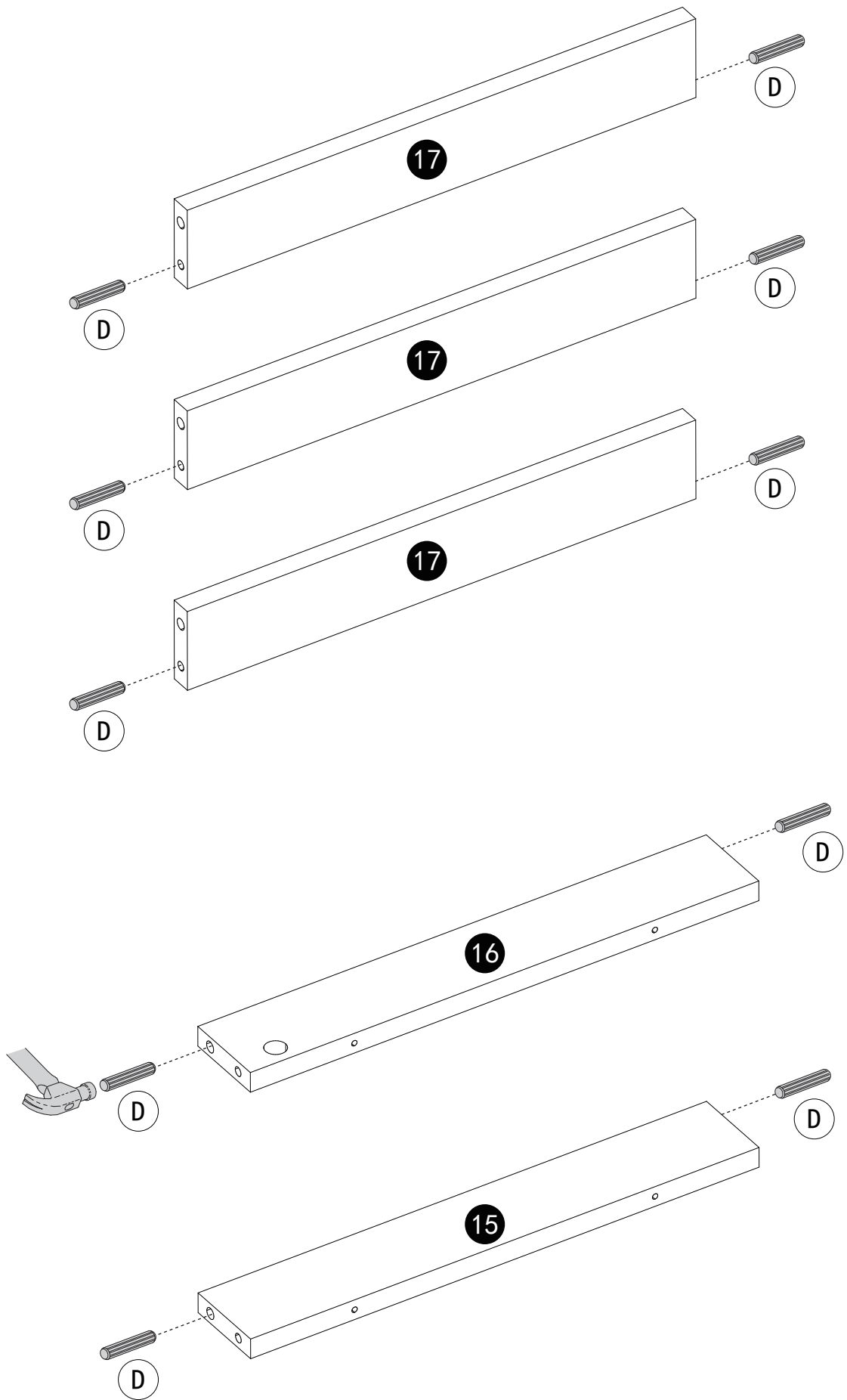
B x6



STEP 19

YOU WILL NEED

D x10

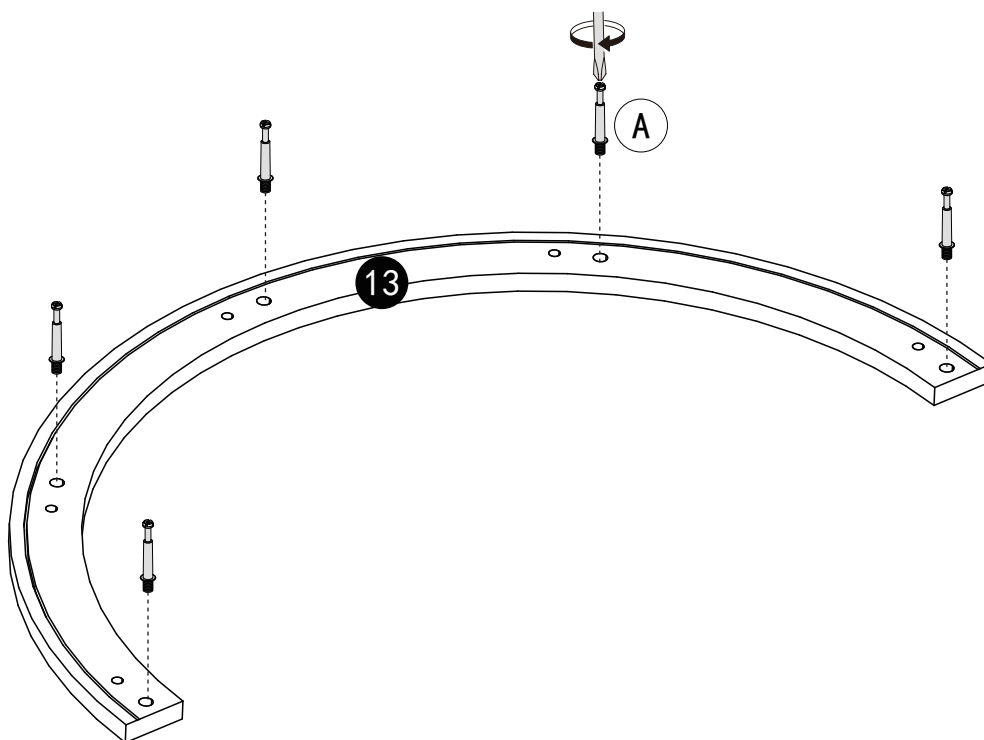
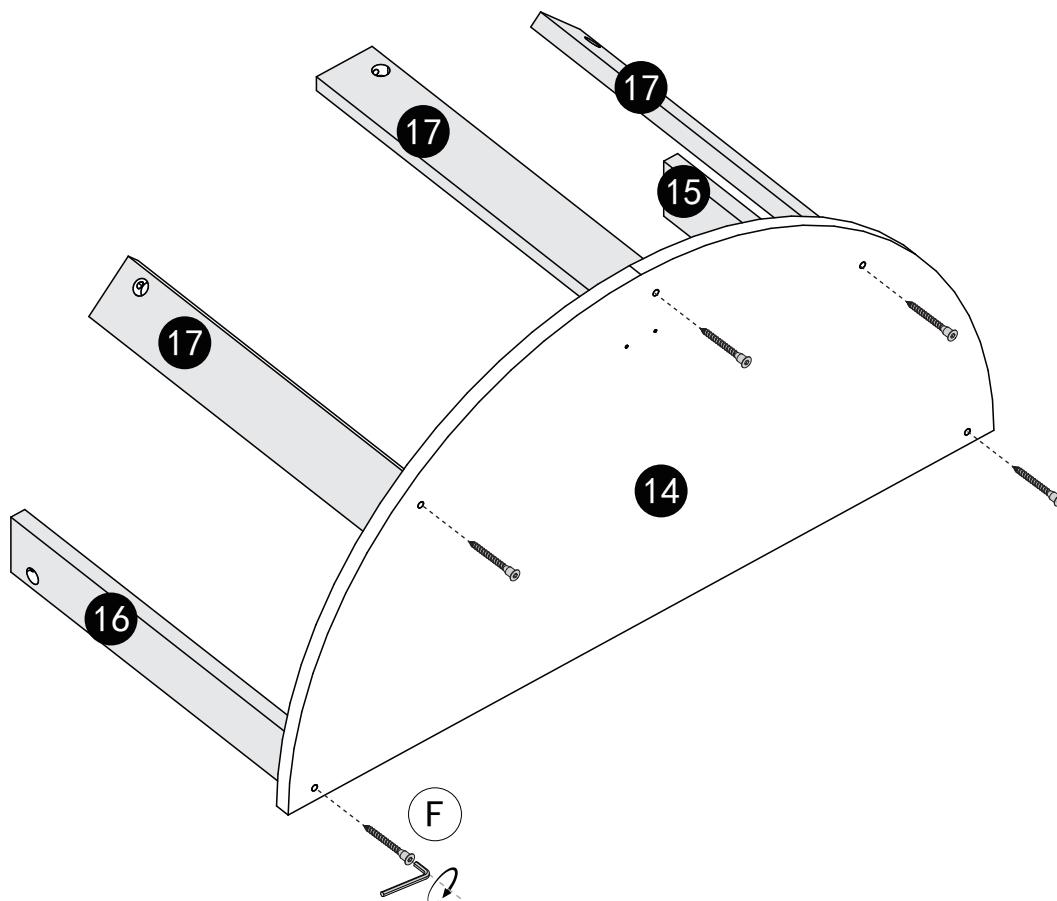


STEP 20

YOU WILL NEED

A x5

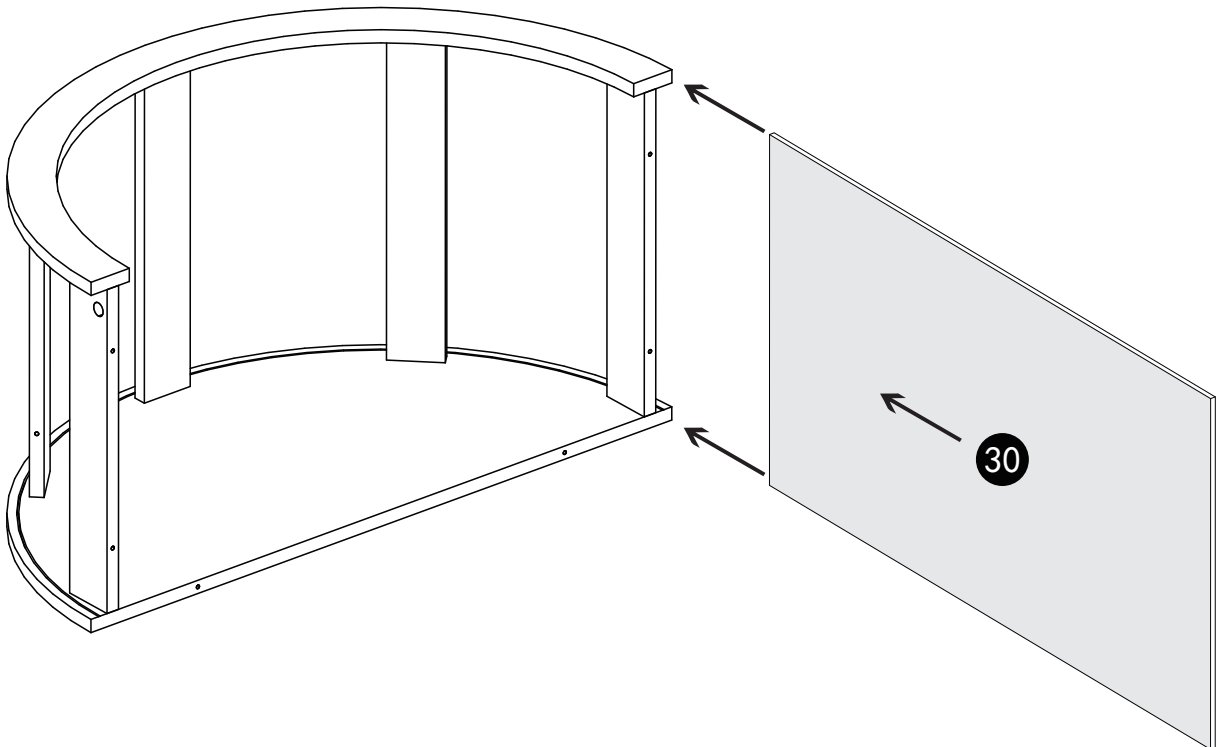
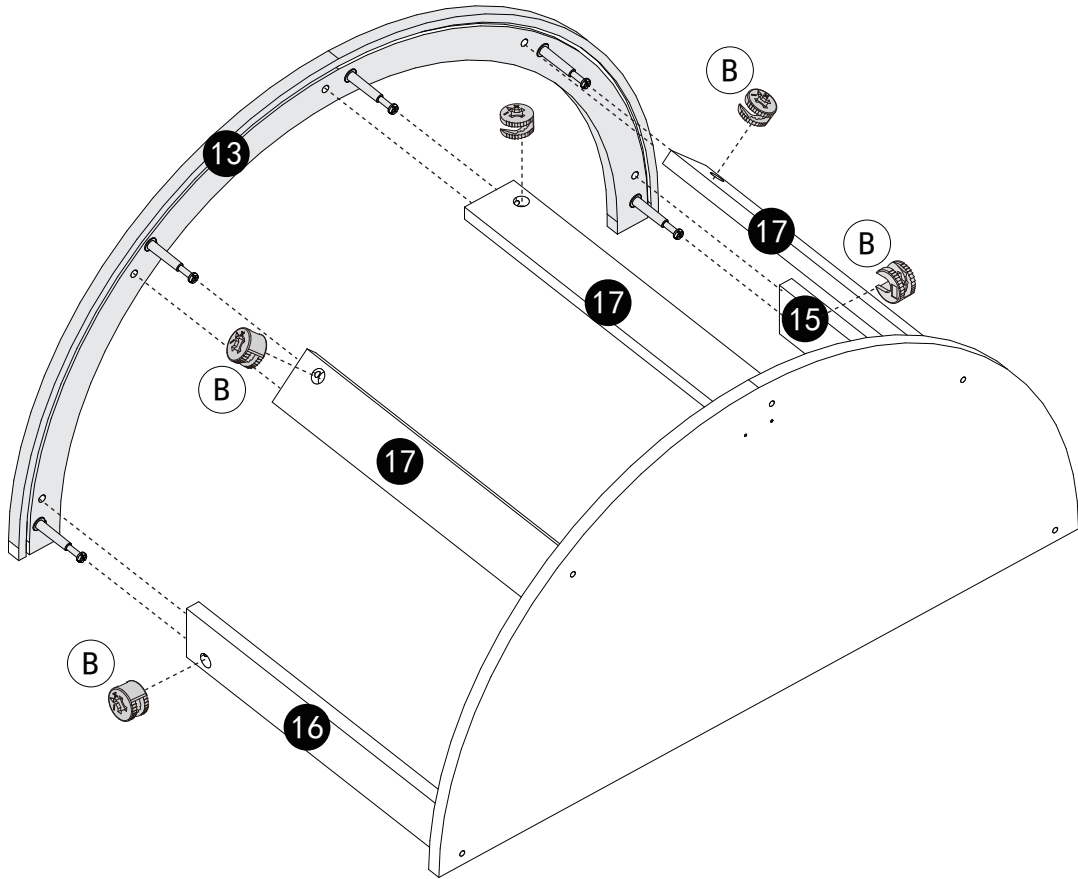
F x5



STEP21

YOU WILL NEED

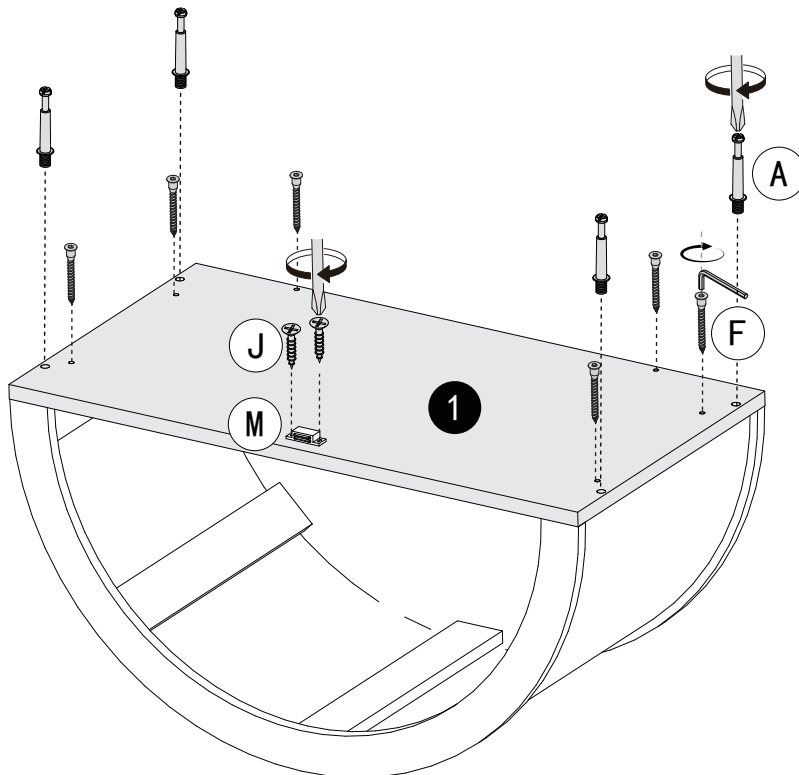
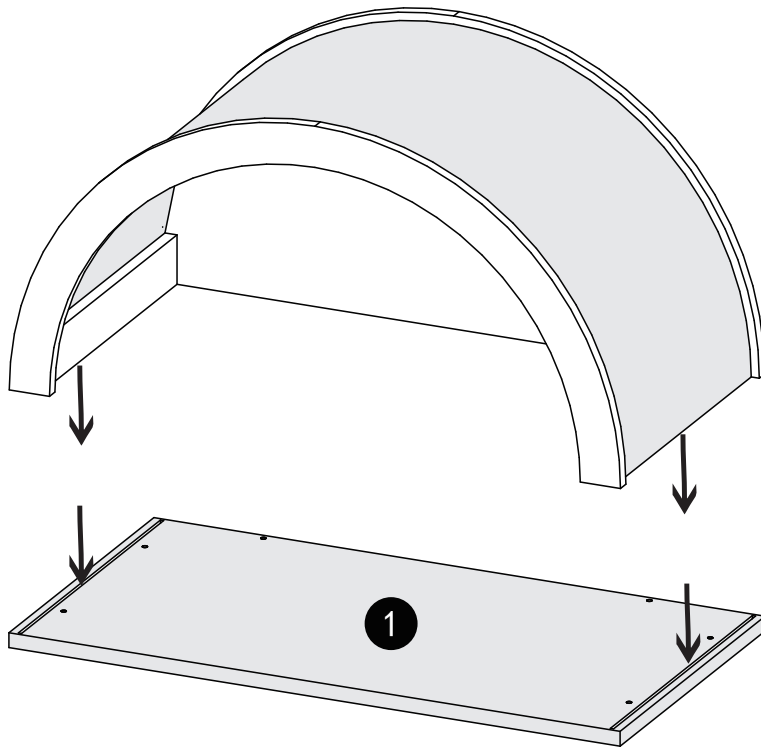
B x5



STEP 22

YOU WILL NEED

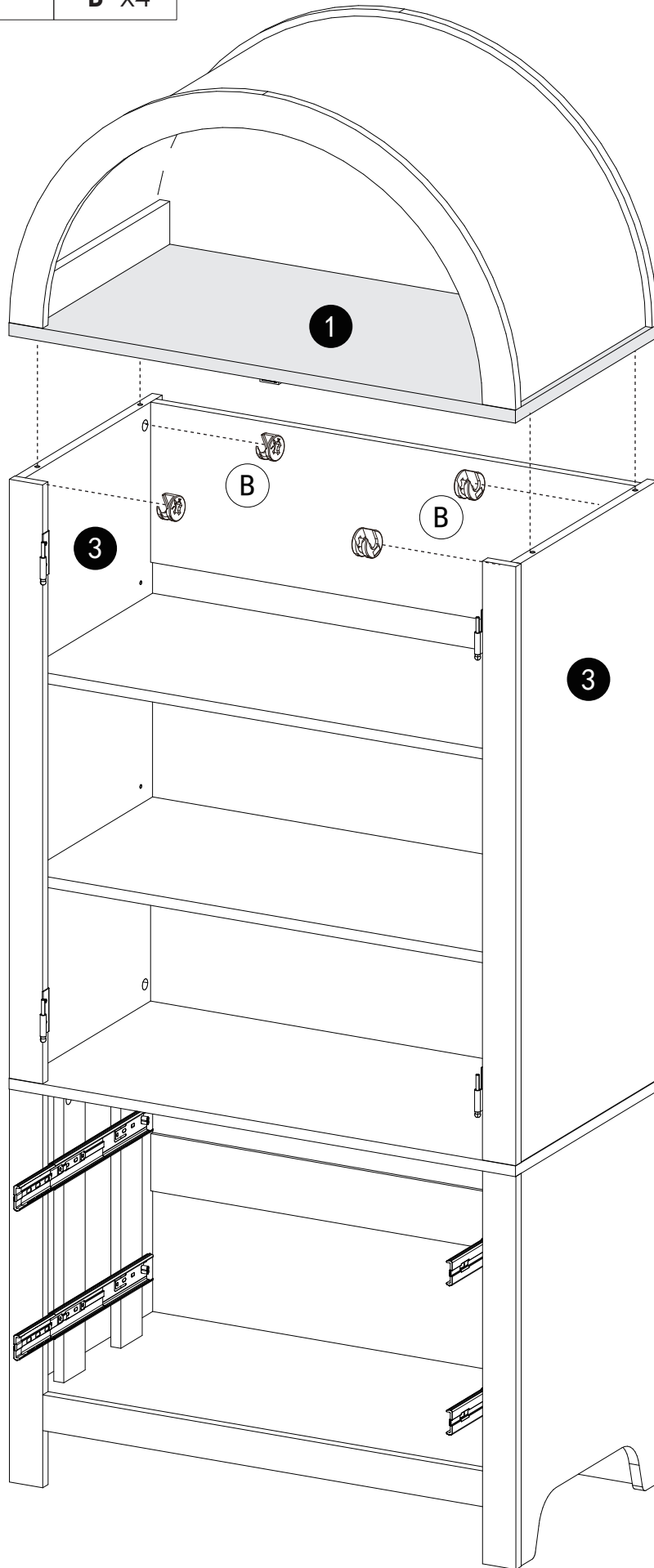
M x1	J x2	A x4	F x6
------	------	------	------



STEP23

YOU WILL NEED

B x4

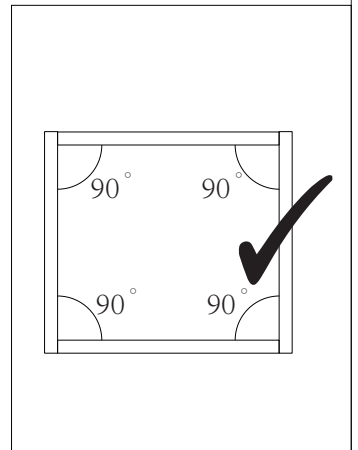
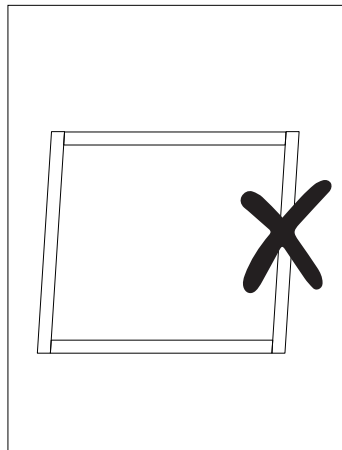
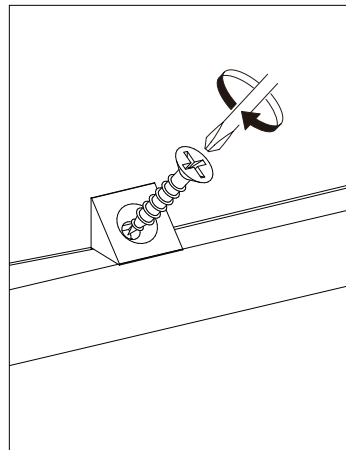
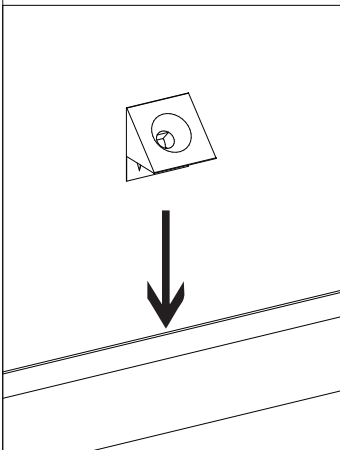
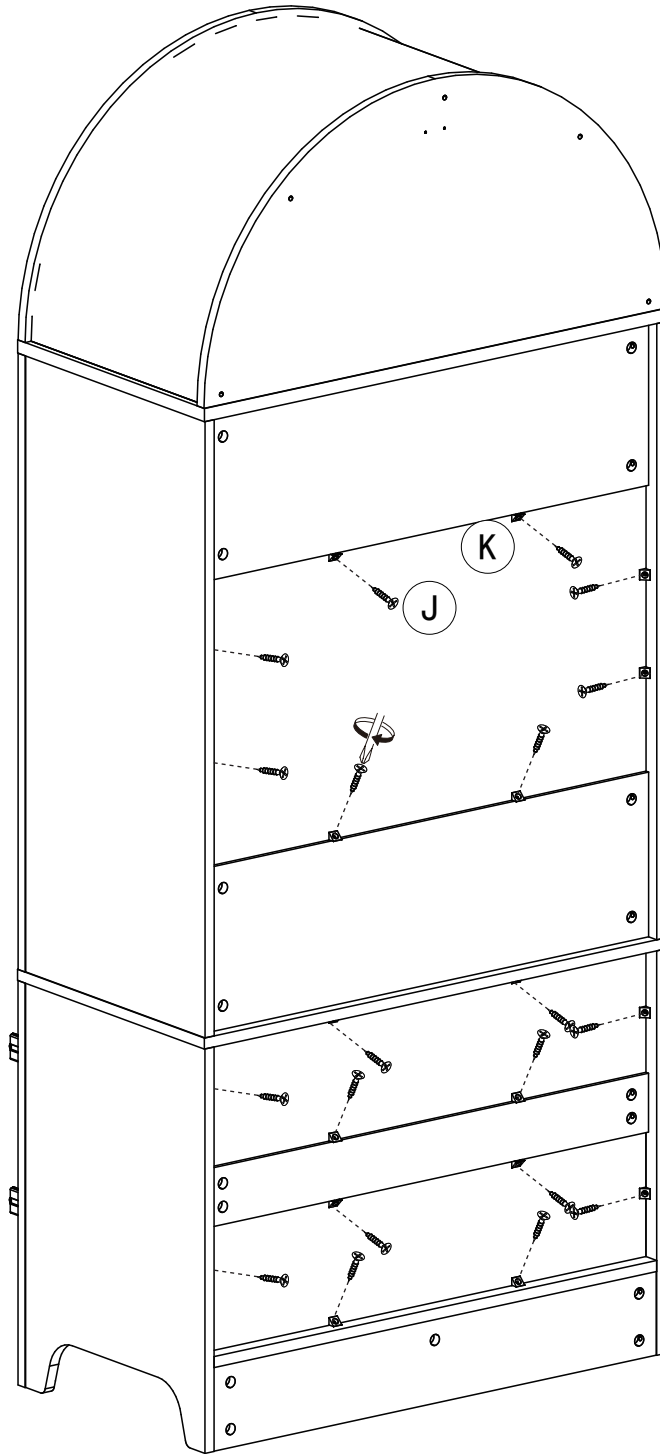


STEP 24

YOU WILL NEED

J x20

K x20



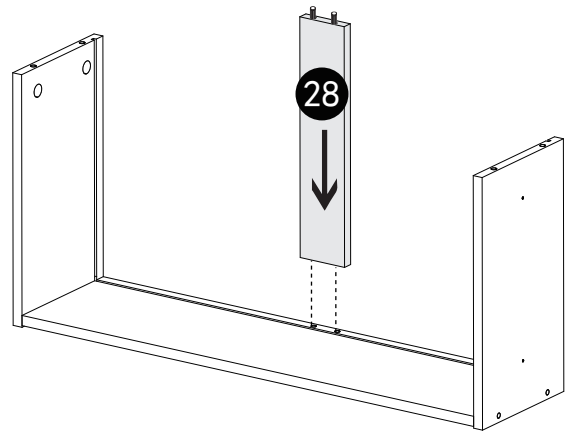
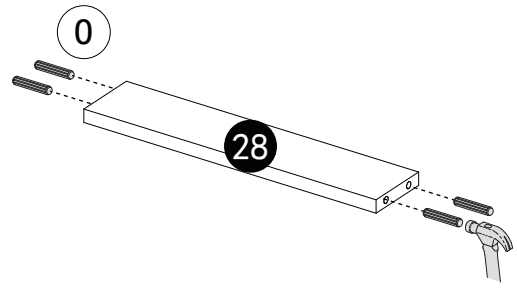
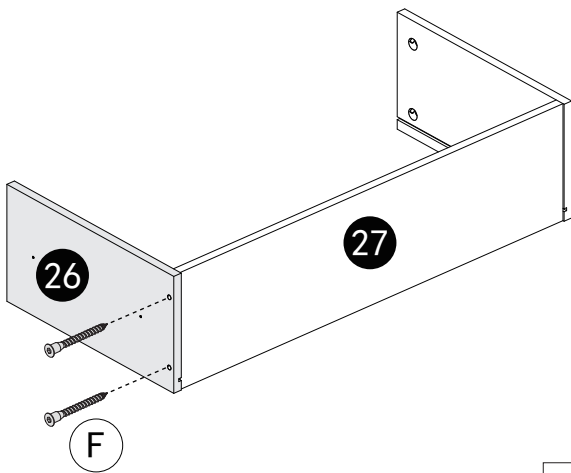
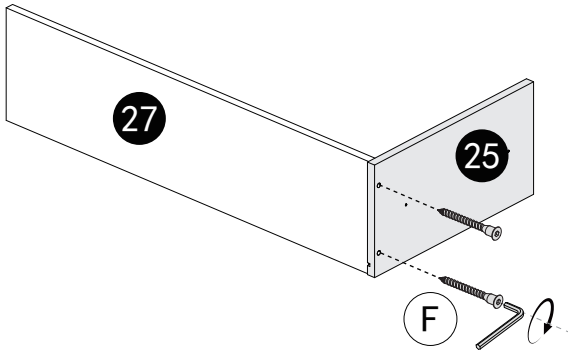
STEP 25

YOU WILL NEED

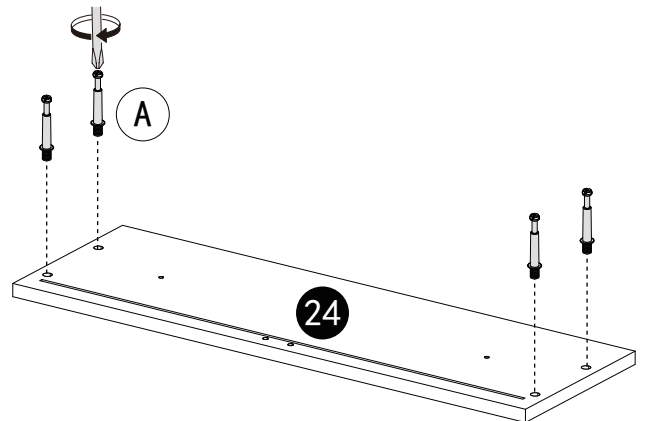
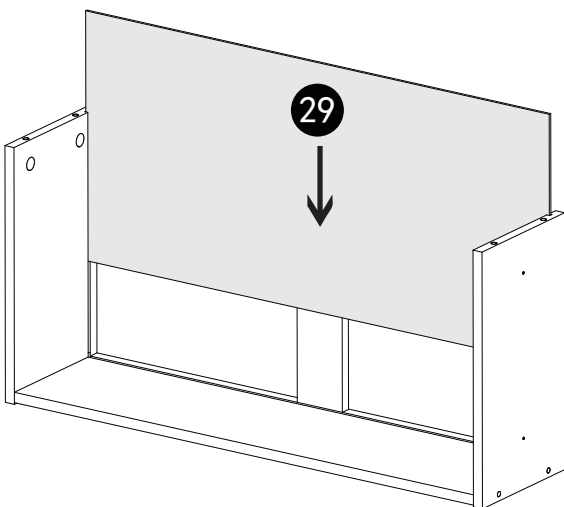
A x8

F x8

O x8



X2



STEP 26

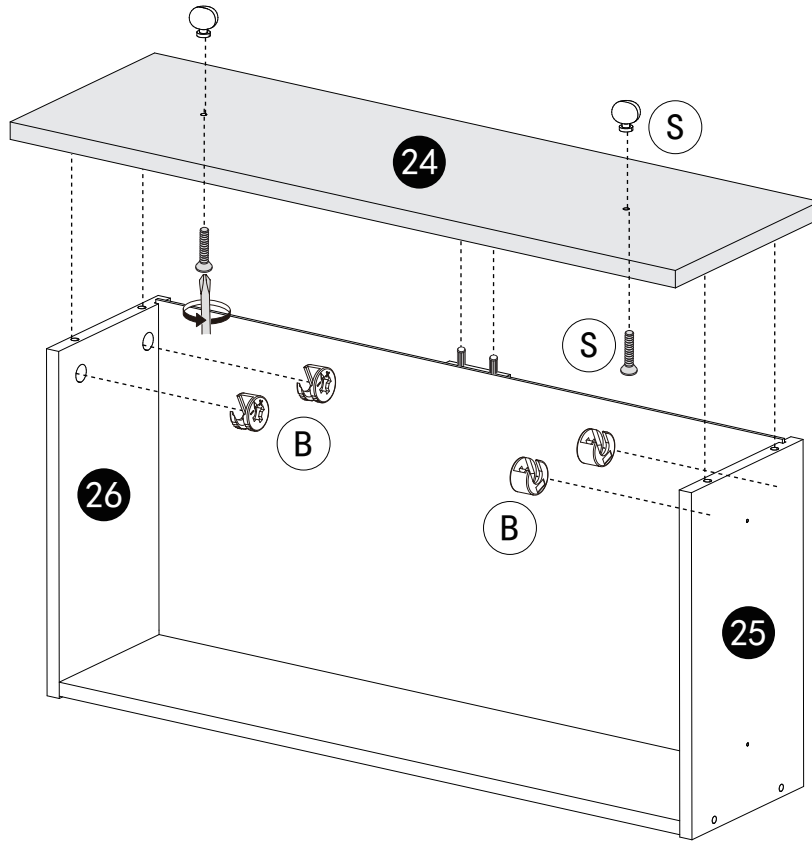
YOU WILL NEED

B x8

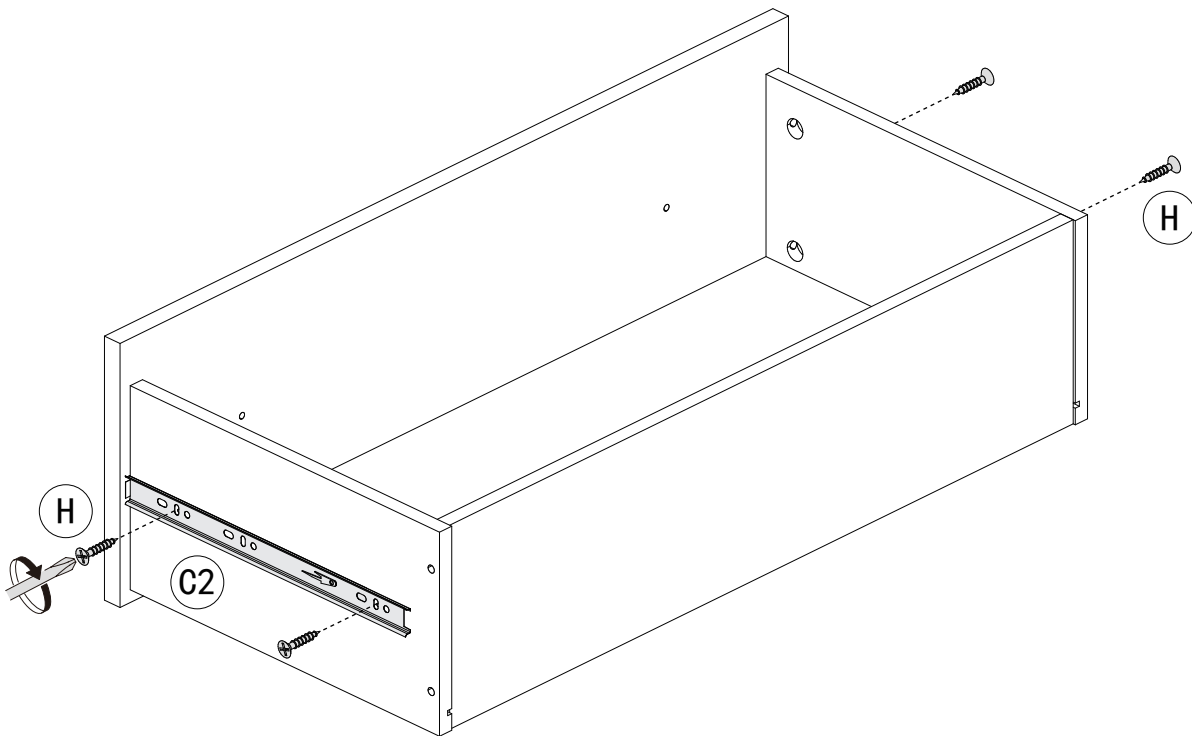
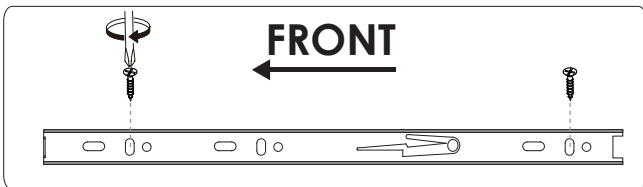
S x4

C2 x4

H x8



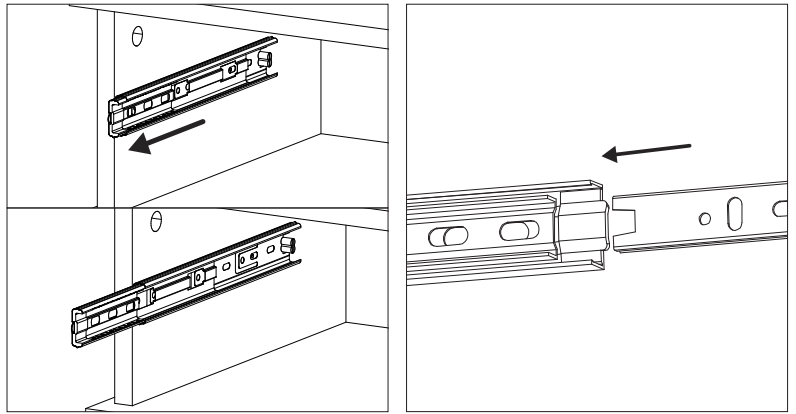
X2



STEP27

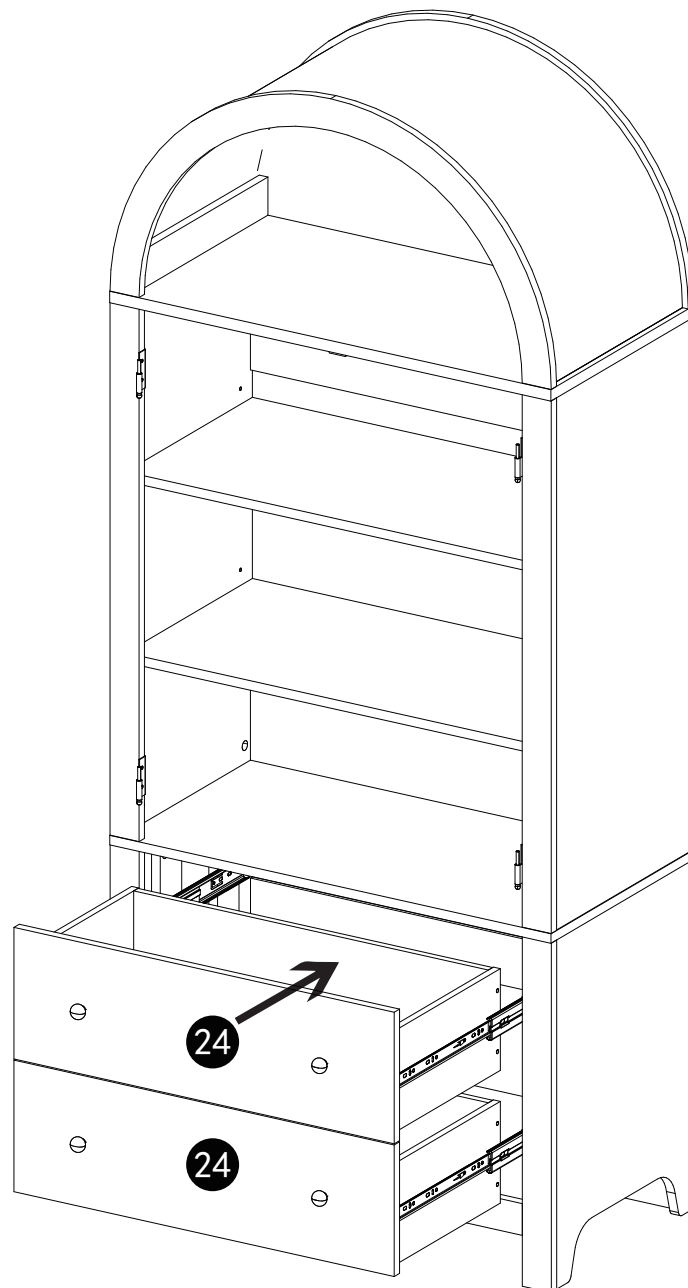
REMARK: Align the slide runners on the drawer with the unit and push it carefully inside until it stops.

★ If the drawer does not go in smoothly please take it out and repeat the step.



REMARK:

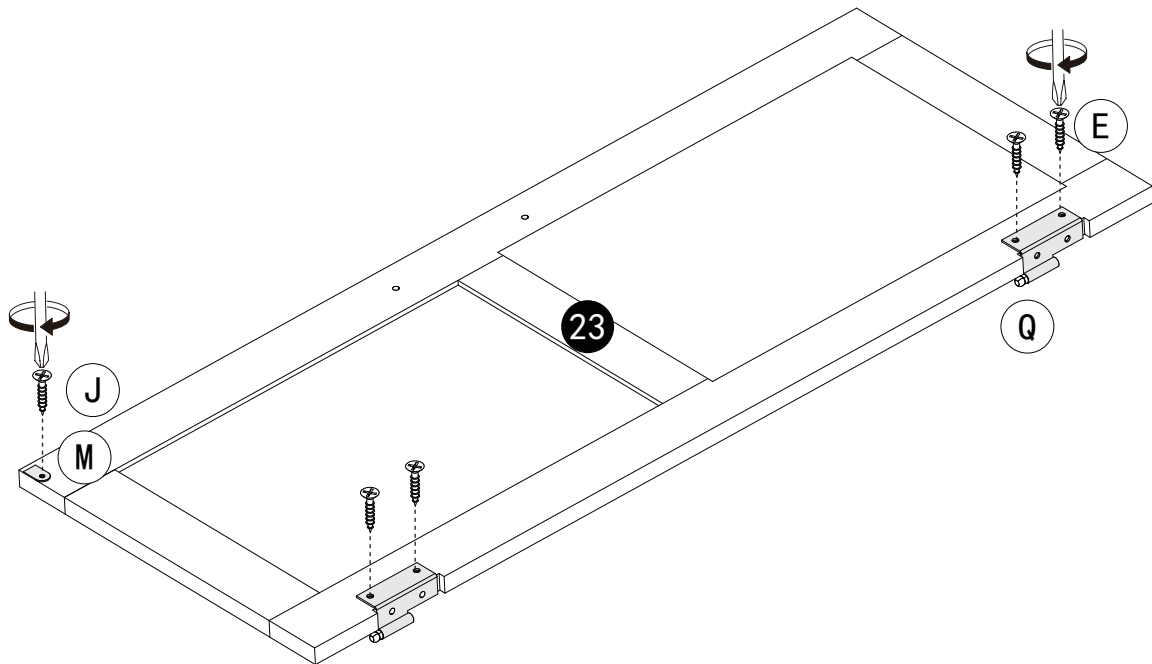
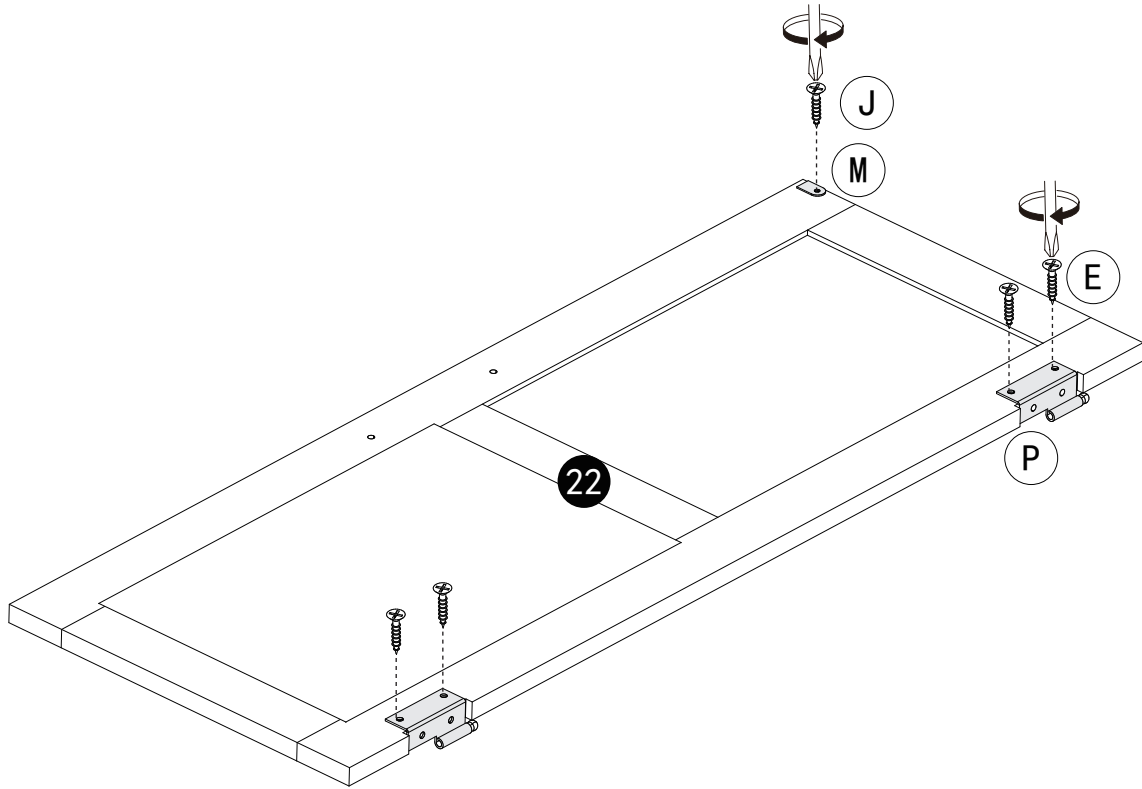
1. First, slide the slide and ball on both sides of the slide to the outside.
- 2, when installing the drawer, align both sides first, and then push both sides inward at the same time.



STEP 28

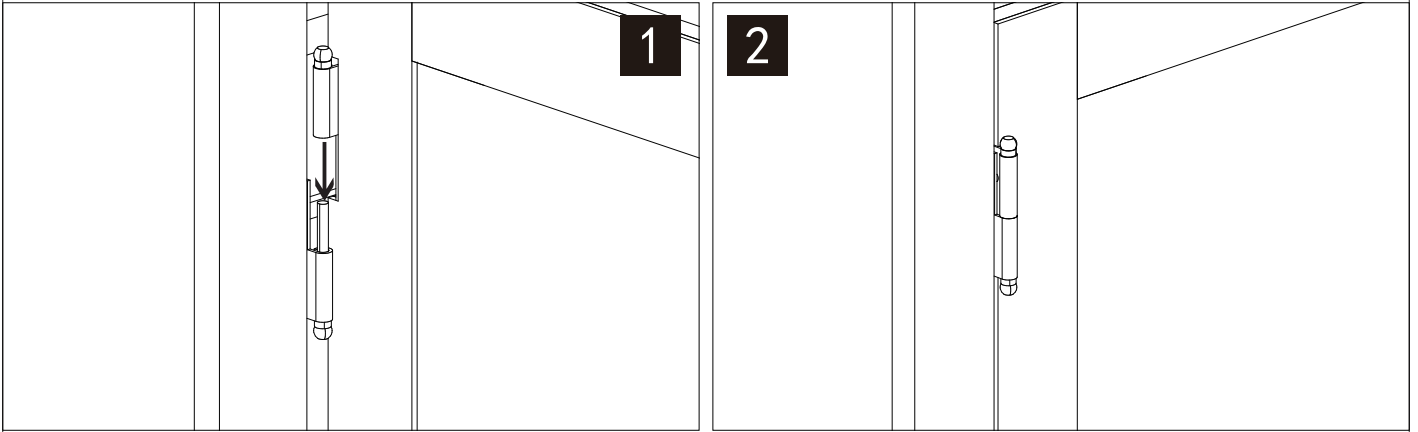
YOU WILL NEED

E x8	J x2	M	P	Q
------	------	---	---	---

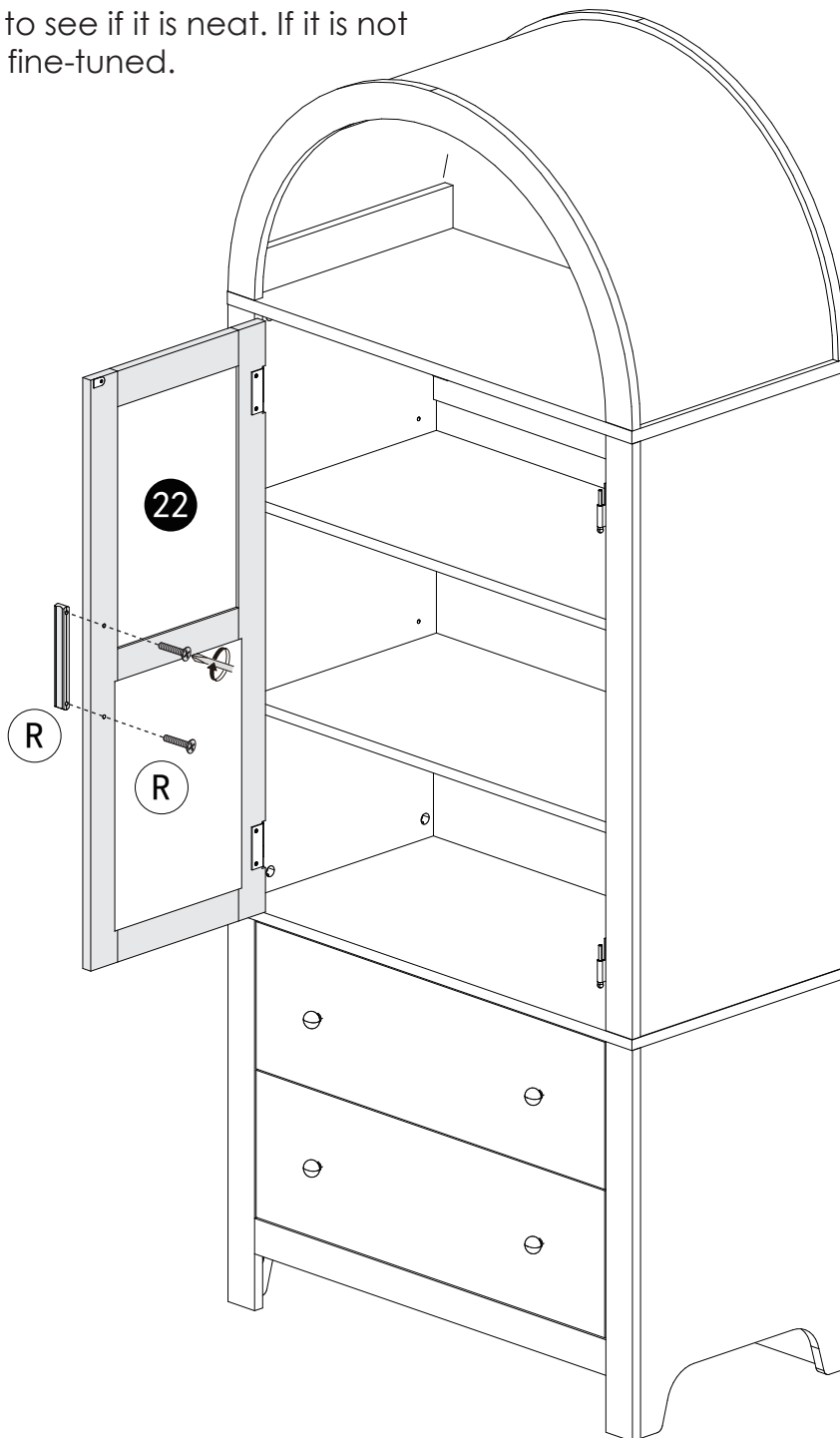


STEP 29**YOU WILL NEED**

R x1

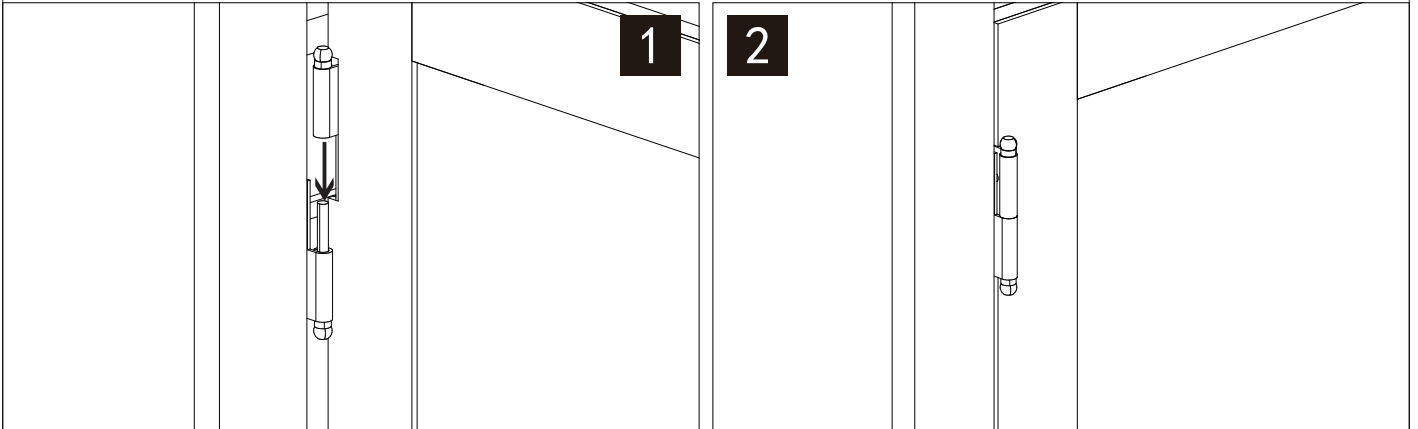


Install the door to see if it is neat. If it is not neat, it can be fine-tuned.

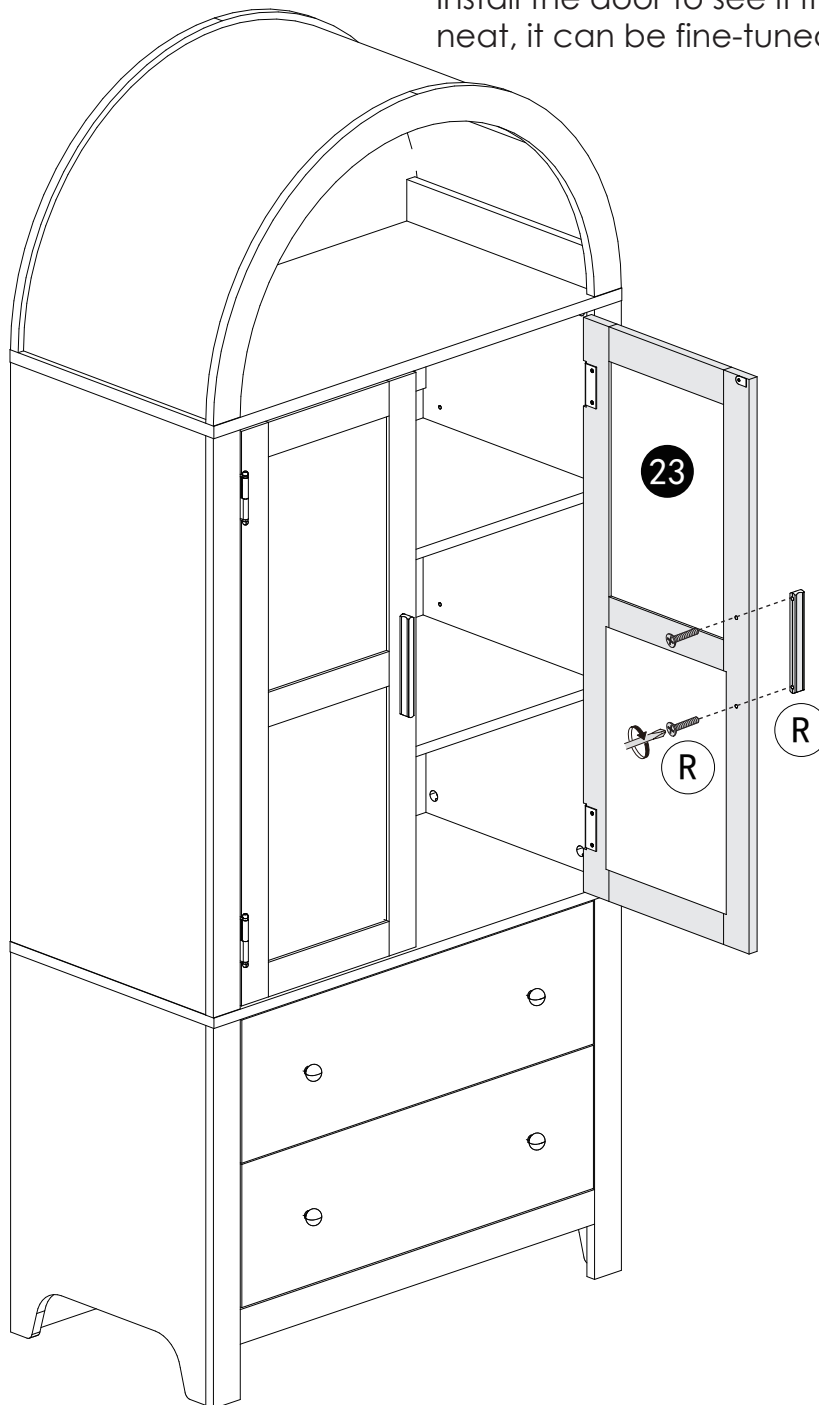


STEP30**YOU WILL NEED**

R x1

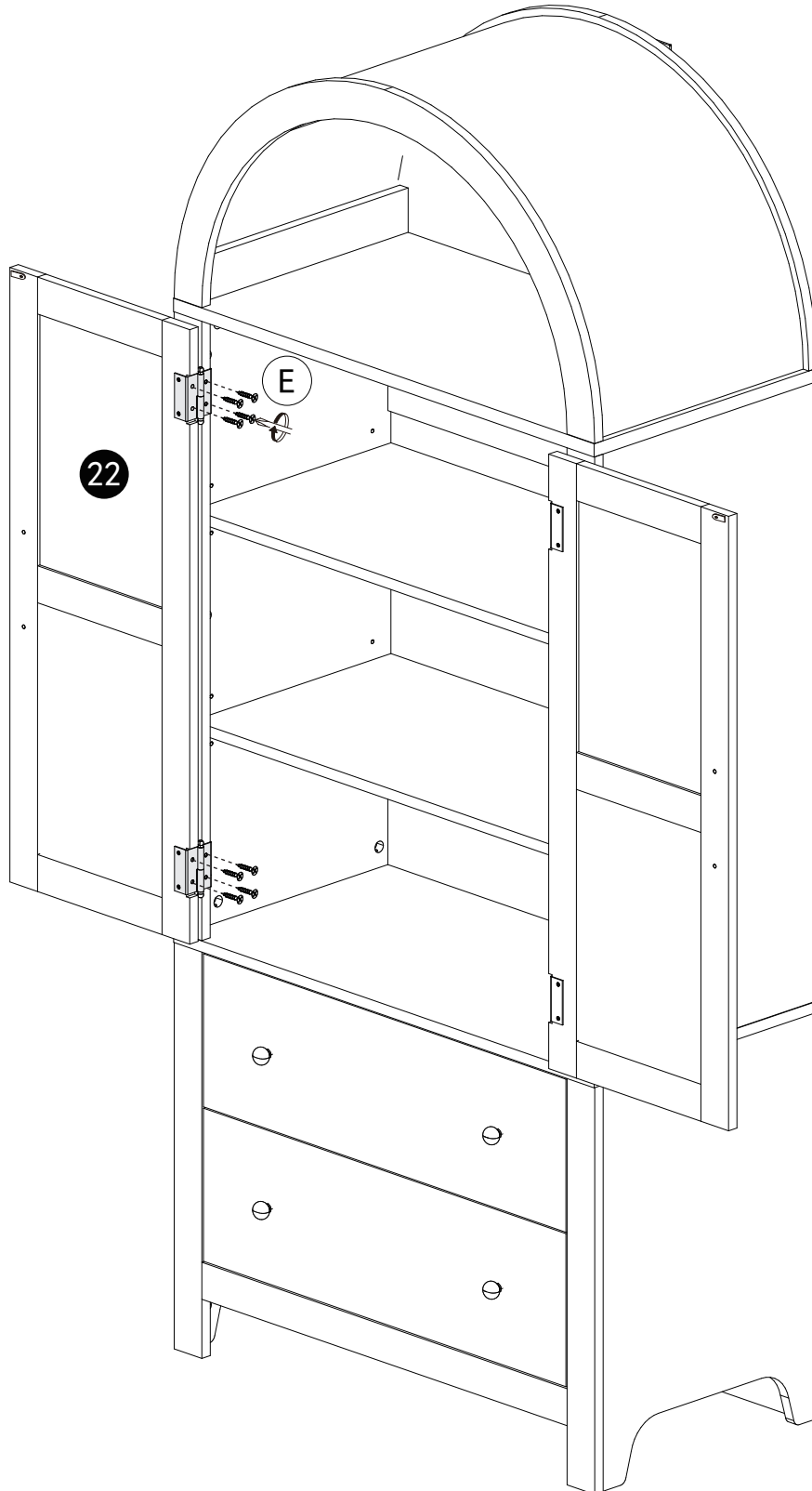


Install the door to see if it is neat. If it is not neat, it can be fine-tuned.



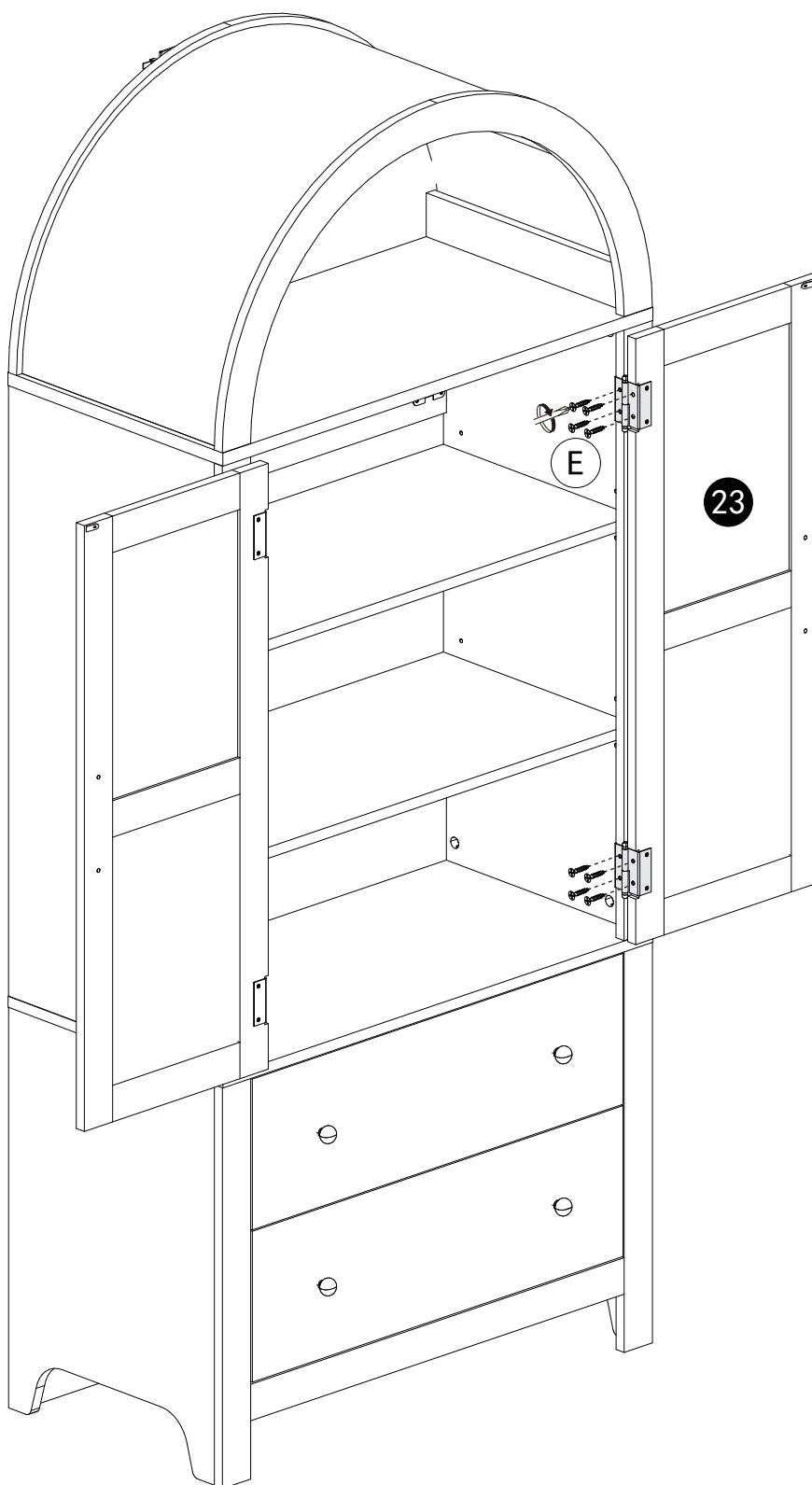
STEP31**YOU WILL NEED****E** x8

Install this step after the door is adjusted neatly.



STEP32**YOU WILL NEED****E** x8

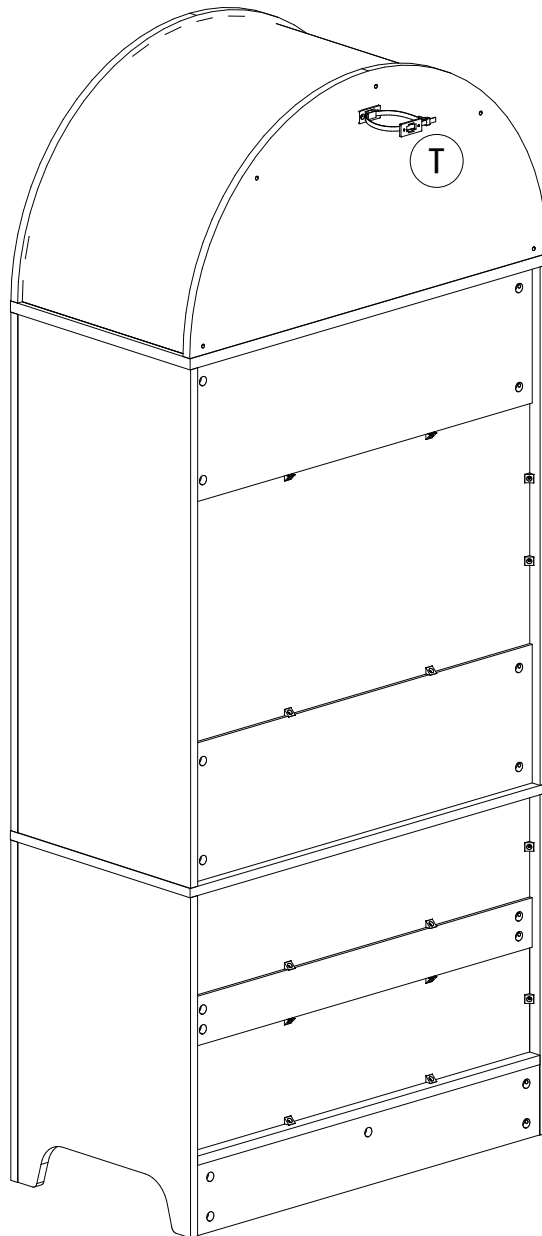
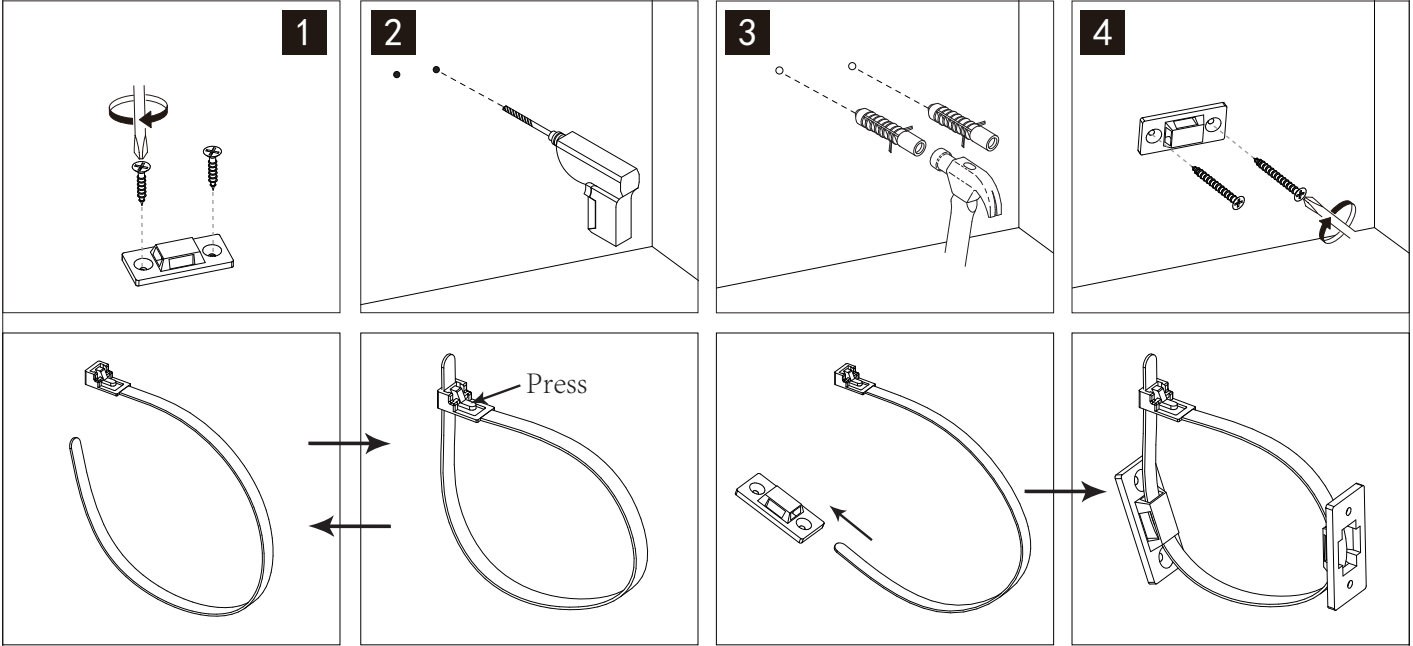
Install this step after the door is adjusted neatly.



STEP 33

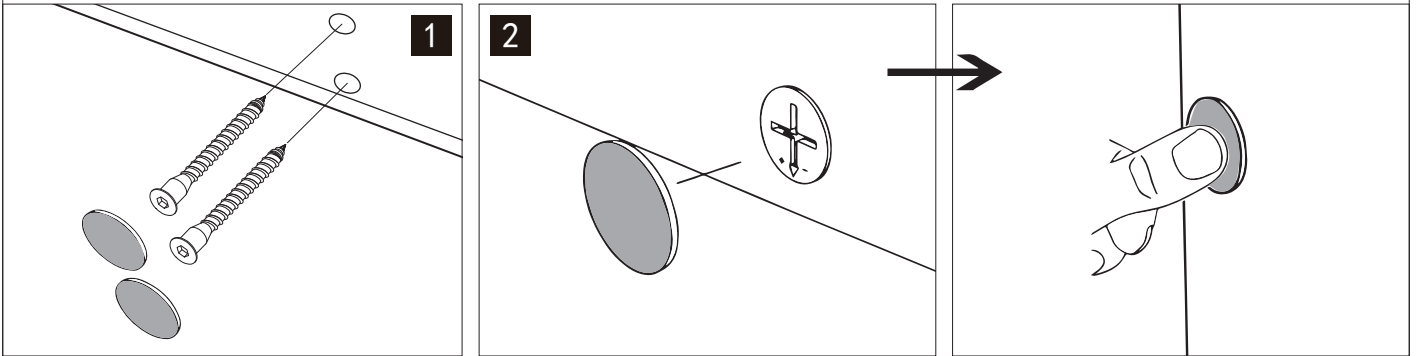
YOU WILL NEED

T x1



STEP34**YOU WILL NEED**

L x16



Add L fittings to all exposed holes on the front of the product

