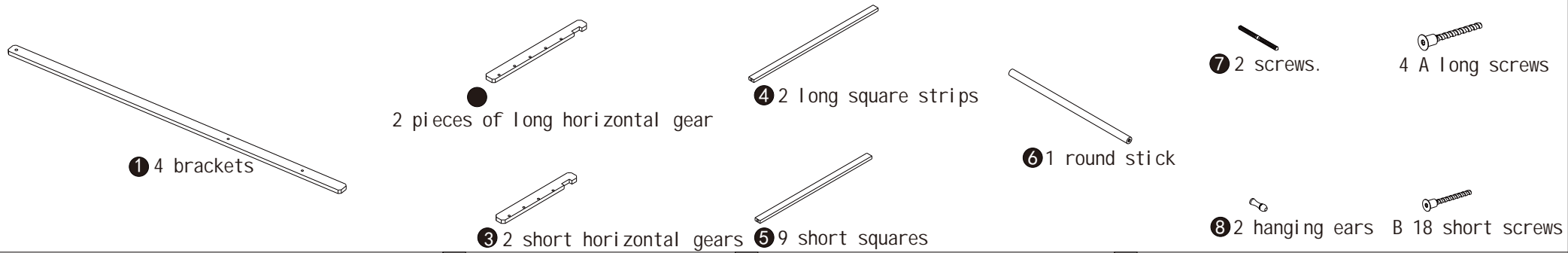


Open the package, classify the accessories according to the accessory list, and then classify them before installing.

Accessories table



Installation Diagram

