

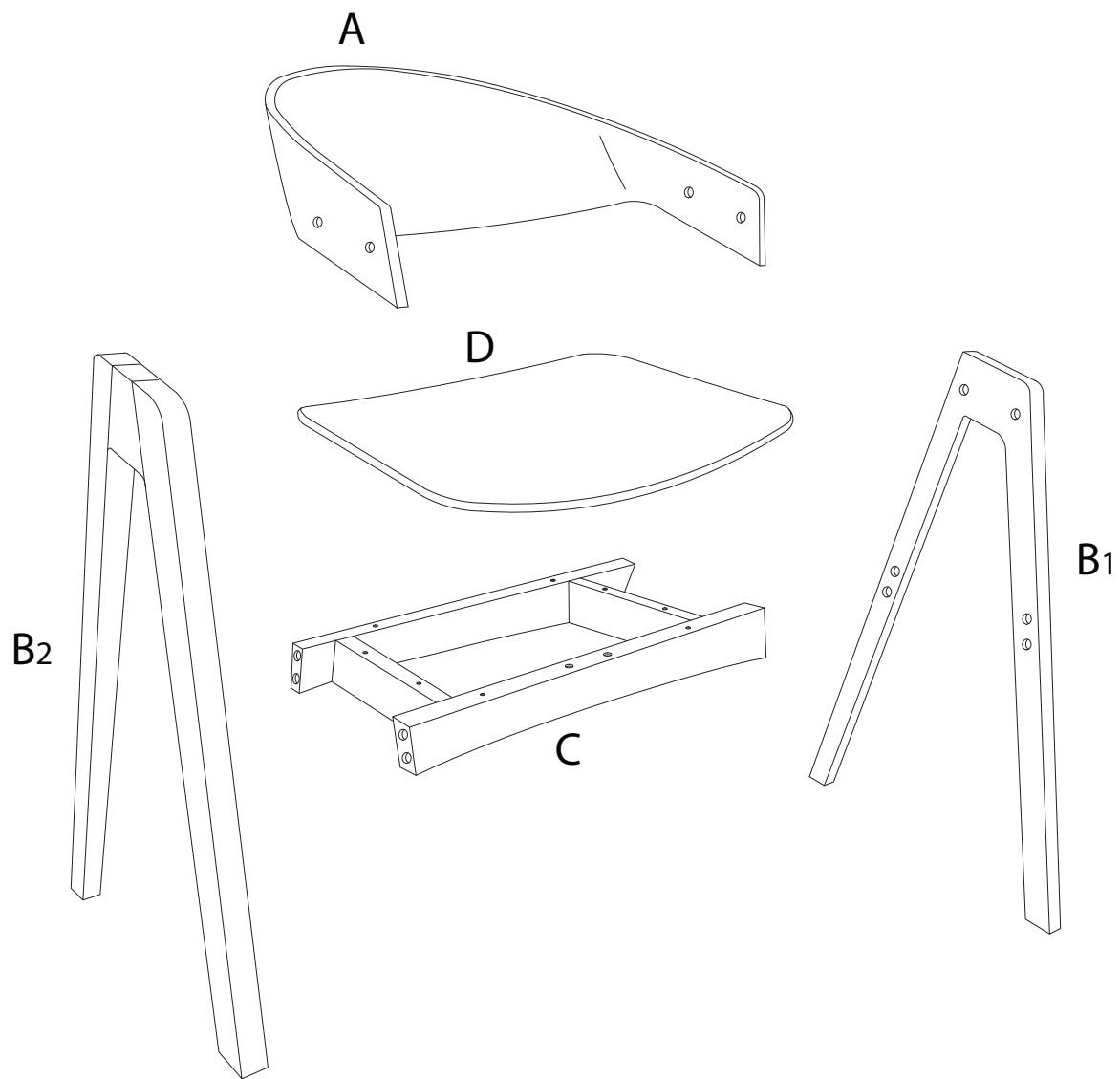
Assembly instructions for the chair, including tool requirements, safety warnings, and personnel needs.

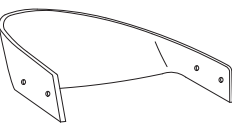
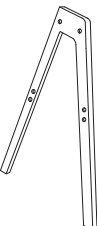

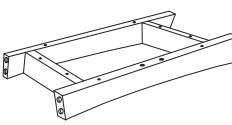

**Tools:** A circular icon contains a screwdriver and an Allen key. A power drill is shown with a diagonal line through it, indicating it is not required.

**Warnings:** Two triangular warning symbols with exclamation marks are present. The top one is connected to the tool icon, and the bottom one is connected to the material icon.

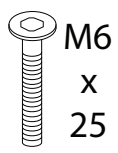
**Time:** A clock icon indicates an estimated assembly time of **30'**.

**Personnel:** An icon of a person indicates that **2** people are required for assembly.



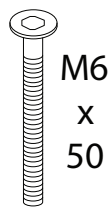
| A   | B1  | B2  | C  | D   |
|---|---|---|--|---|
|  |  |  |  |  |
| x 1   | x 1   | x 1   | x 1  | x 1   |

1



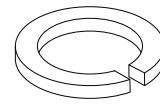
x 4

2



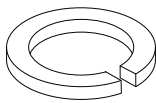
x 4

3



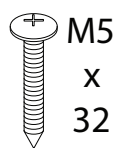
x 4

4



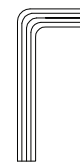
x 4

5



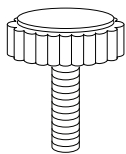
x 8

6



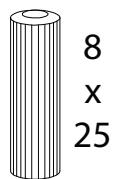
x 1

7



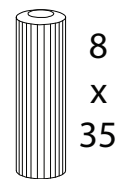
x 4

8



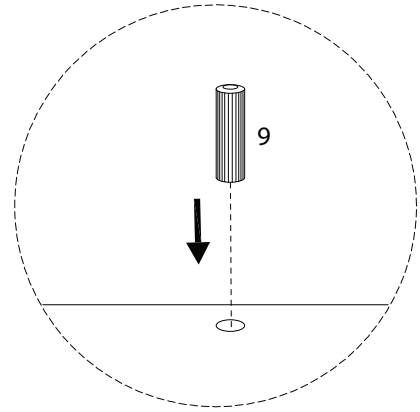
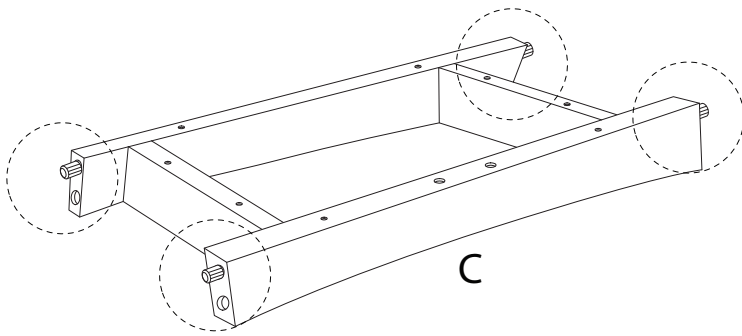
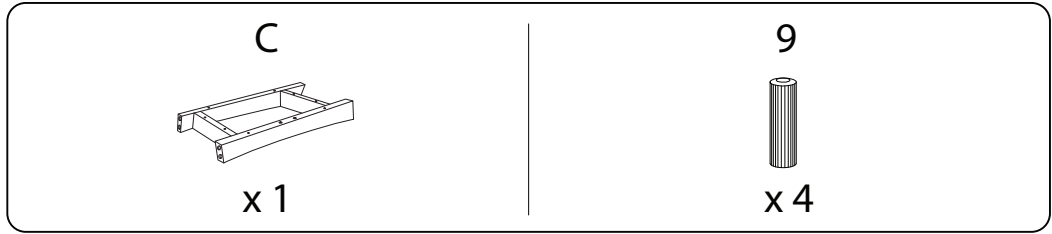
x 2

9

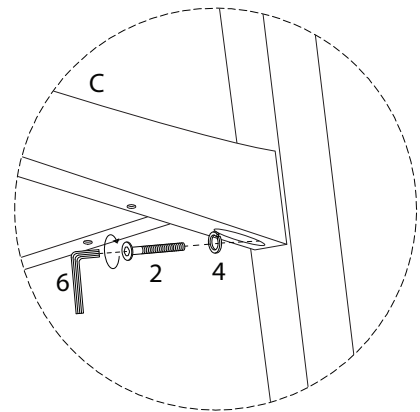
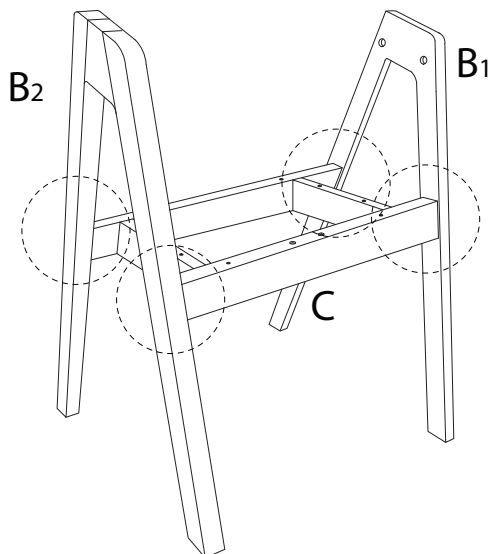
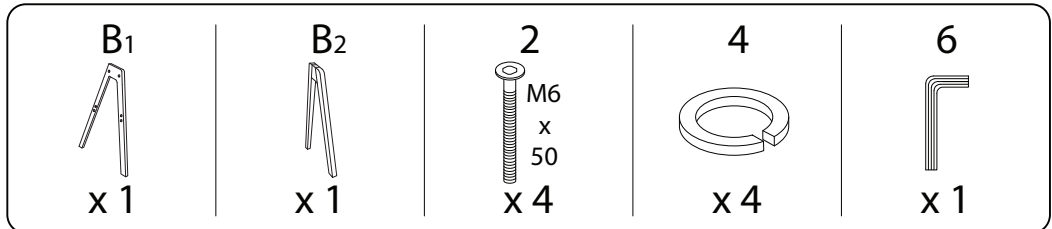


x 4

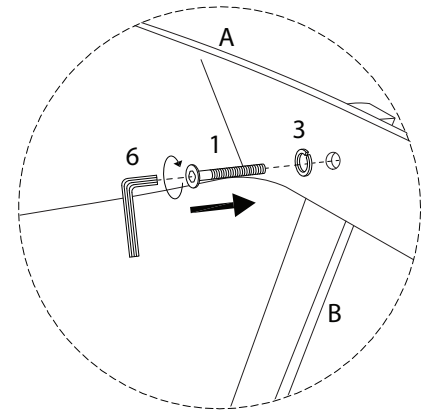
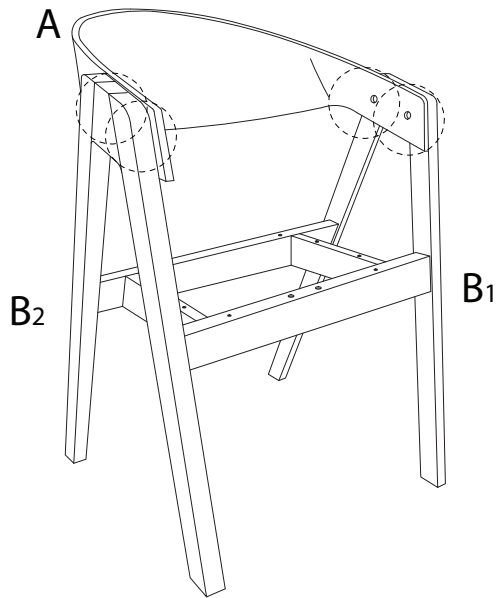
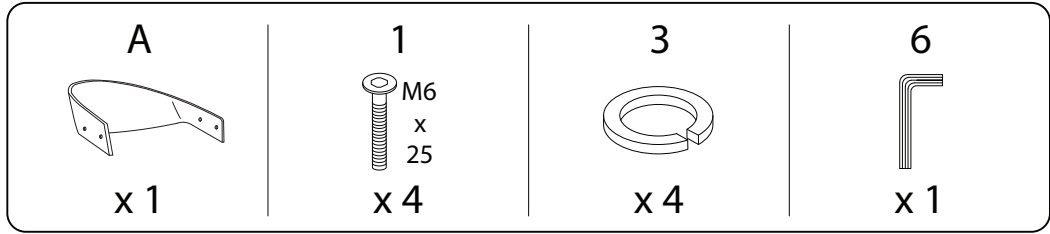
1



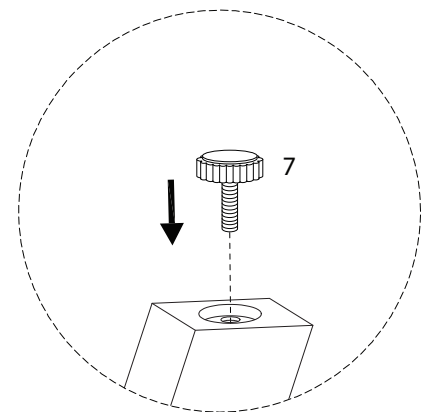
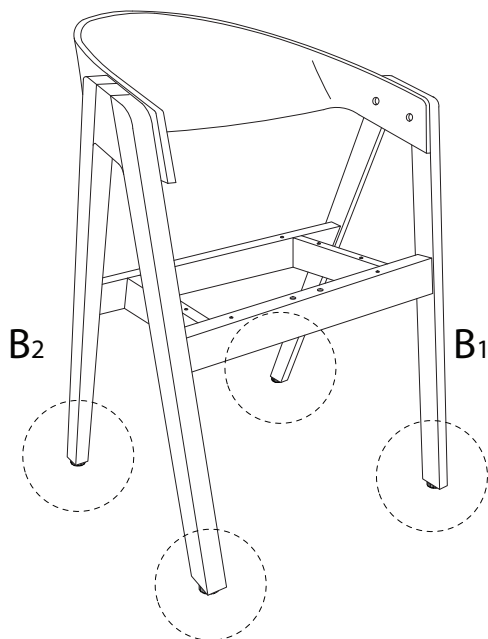
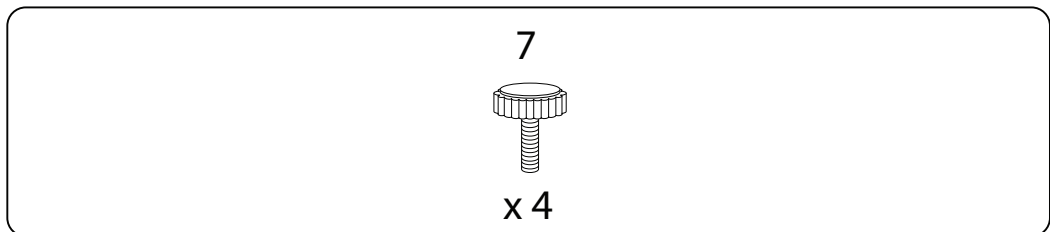
2




3

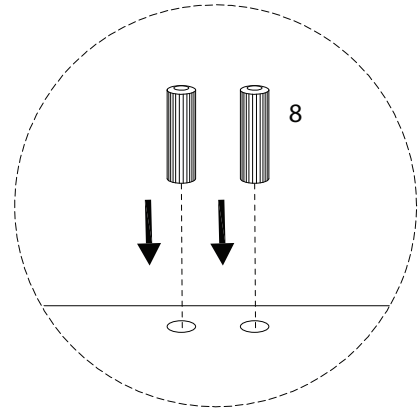
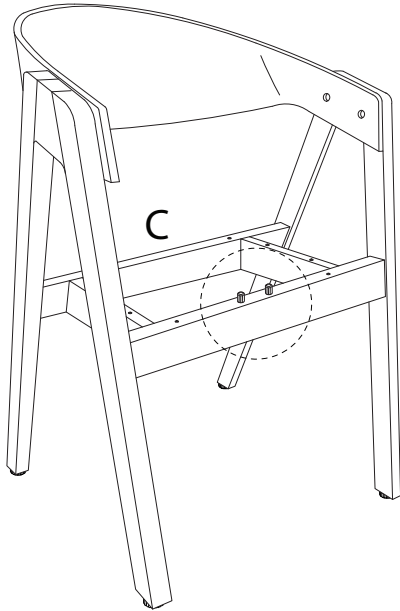


4




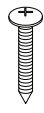
5

8  
  
x 2



6

D  
  
x 1

5  
  
x 32  
x 8

