

# FOX HOLLOW FURNISHINGS

est. 2007

## RECESSED MEDICINE CABINET INSTALLATION INSTRUCTIONS

### SUGGESTED TOOLS



Drill



Tape Measure



Phillips  
Screwdriver

### PARTS & HARDWARE INCLUDED



4x

Screws

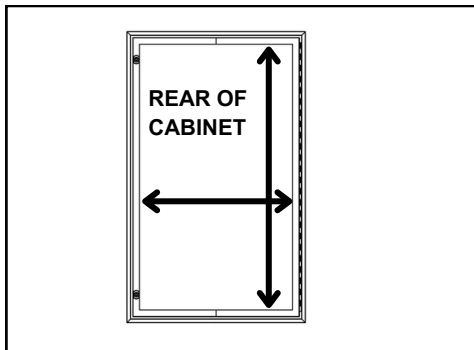


4x

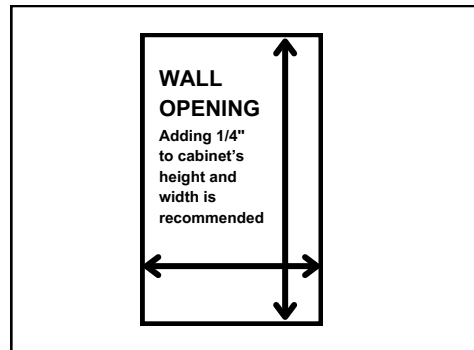
Decorative Cap

### STEPS

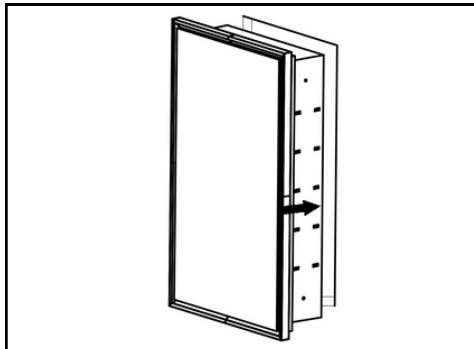
1. Measure the back of your medicine cabinet



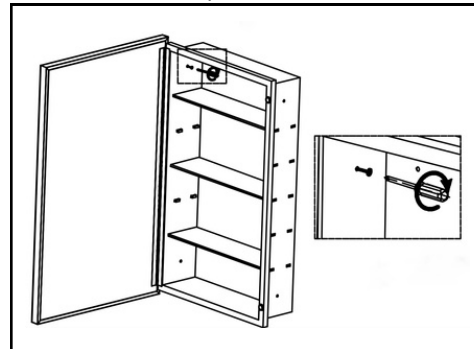
2. Cut wall opening slightly larger than cabinet in height and width



3. Place the cabinet into your new wall opening  
Note: Cabinet overlay/flange will cover an additional 1" of height and 1" of width.



4. Insert screws through hole-side of decorative cap, then side of cabinet, and secure into neighboring stud using drill or screwdriver. Fold over decorative cap to cover screw



**Clean with gentle cleaners or water only. NO alcohol.**

Questions or issues? We're here to help!

Reach out to us directly at: [customerservice@concealedcabinet.com](mailto:customerservice@concealedcabinet.com)

**FoxHollowFurnishings.com**