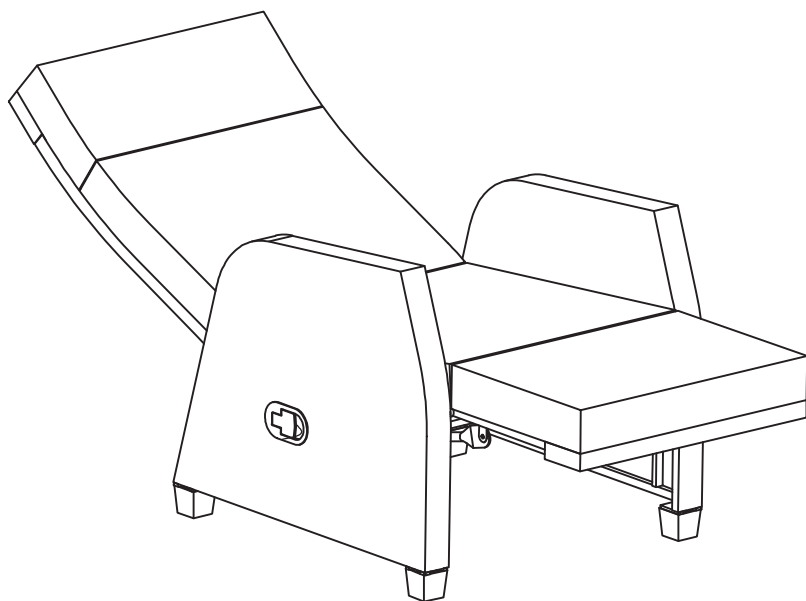


Rattan Reclining Lounge Chair

ASSEMBLY INSTRUCTIONS

YS251191 SERIES



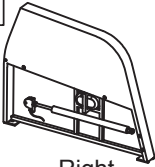
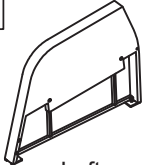
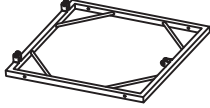
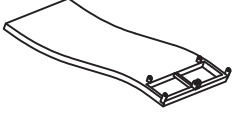
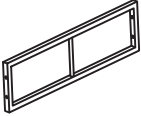
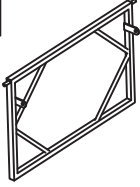

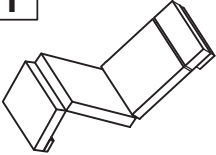
ATTENTION

THANKS FOR CHOOSING OUR PRODUCTS!














- 1. This product comes in 1 box, please check the part list carefully to make sure you've received all the parts.**
- 2. If there're any missing parts, please contact us with the part # and quantity, we will send them to you ASAP.**
- 3. If there're any damaged parts, please contact us with clear pictures or video, we will offer you the best solution after confirming it.**

Assembly Instruction

Parts List

A  Right	B  Left	C  1PC	D  1PC
E  1PC	F  1PC	G  2PCS	T  1PC

Hardware List

H  M6*20mm 4PCS	I  M6*30mm 4PCS	J  M6*35mm 4PCS	K  M8*30mm 3PCS	
L  M8*35mm 1PC	M  M6 8PCS	N  M8 4PCS	O  2PCS	
P  4PCS	Q  1PC	R  1PC	S  4PCS	T  M6*45mm 4PCS

Assembly Instruction

Step 1



A*1



B*1



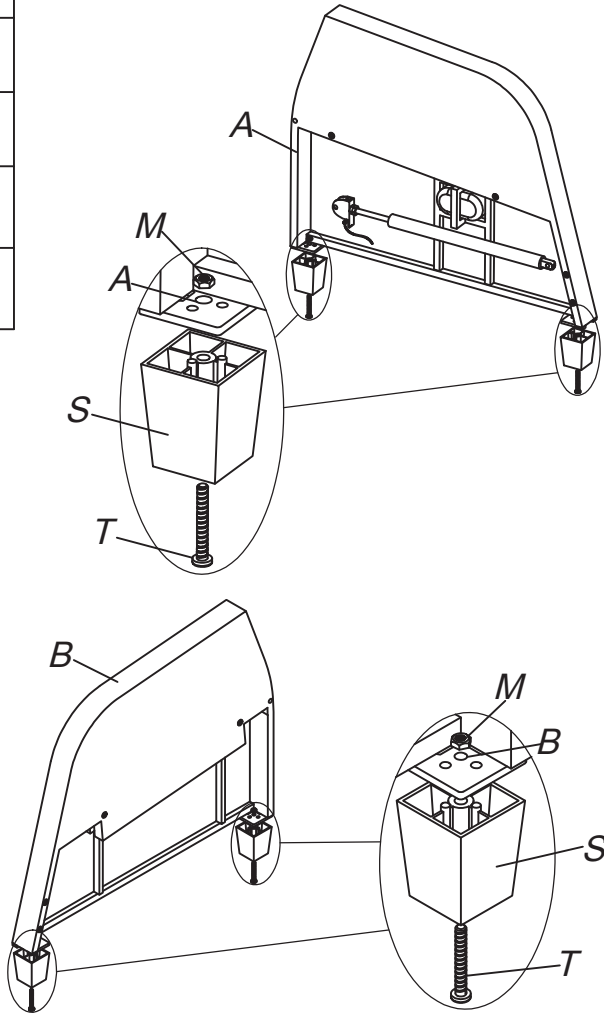
S*4



M*4



T*4



Assembly Instruction

Step 2



C*1



E*1



F*1



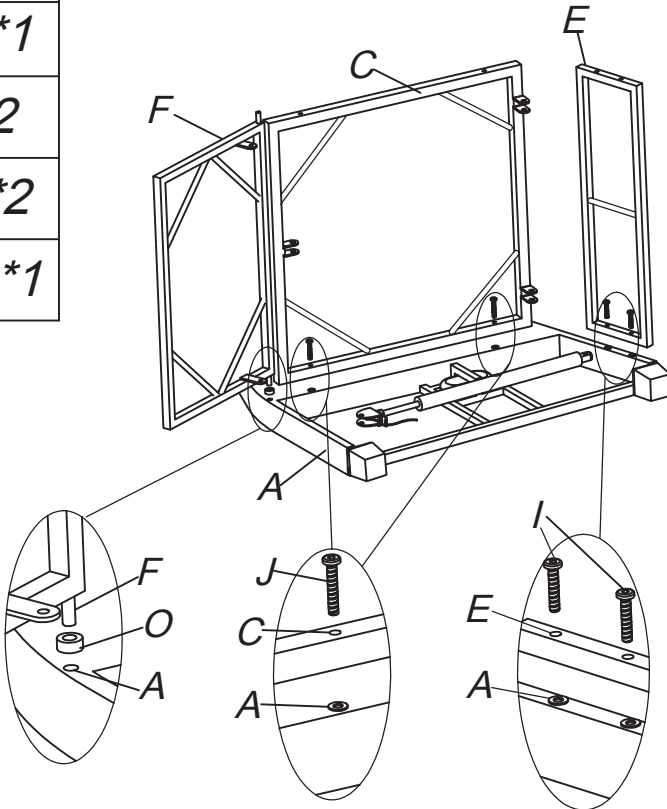
I*2



J*2



O*1



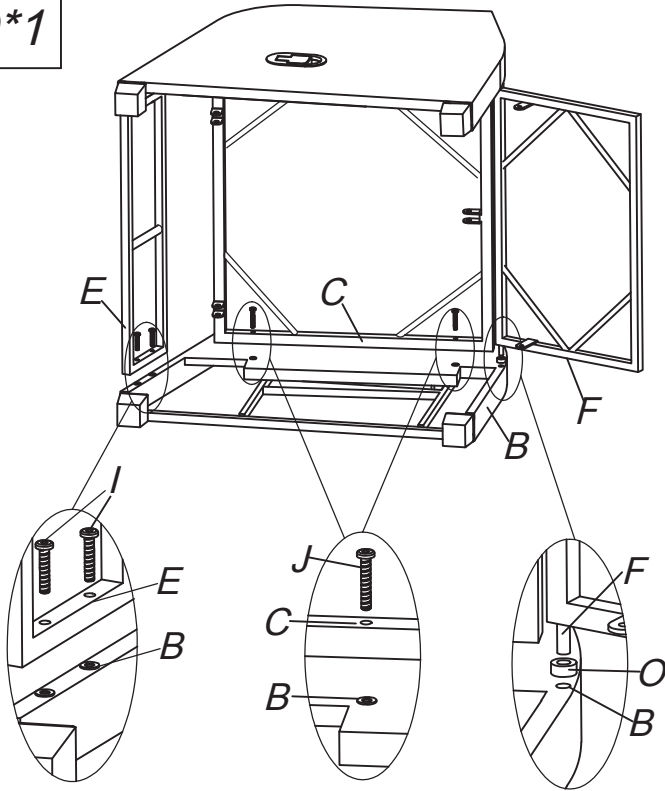
Assembly Instruction

Step 3

 I*2

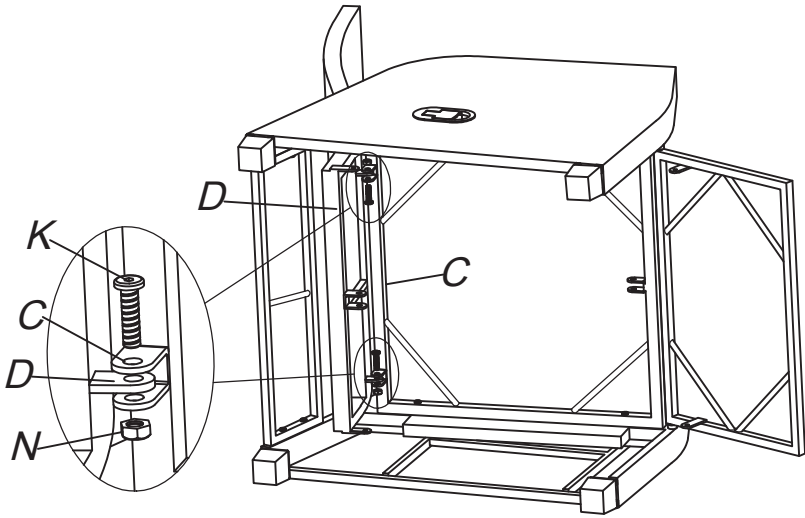
 J*2

 O*1



Assembly Instruction

Step 4



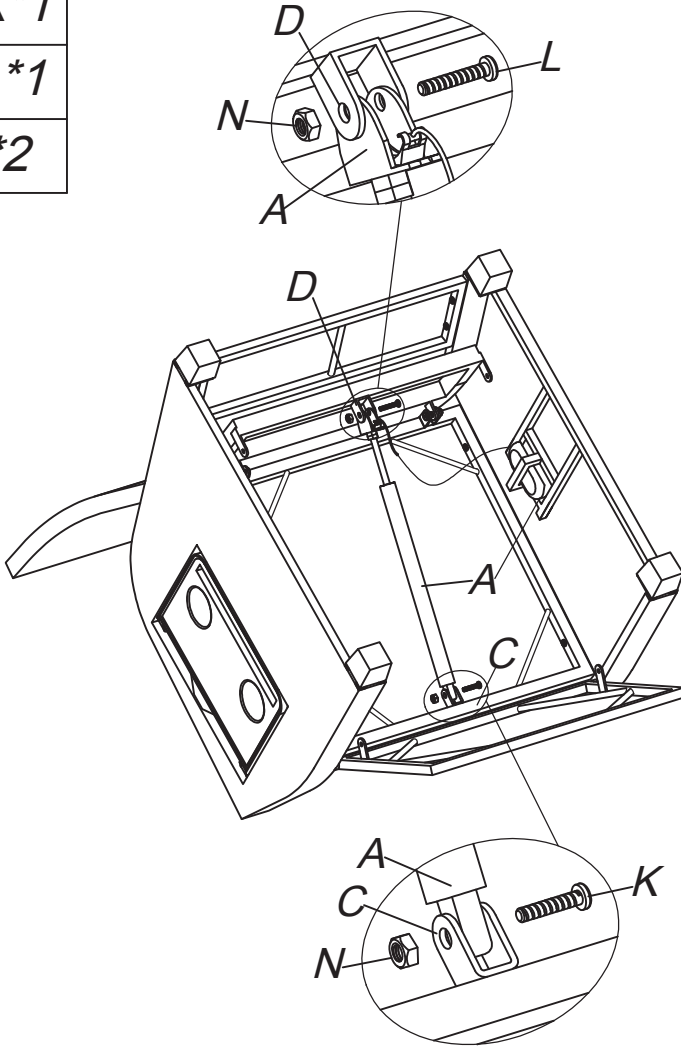
Assembly Instruction

Step 5

 *K*1*

 *L*1*

 *N*2*



Assembly Instruction

Step 6



$G*2$



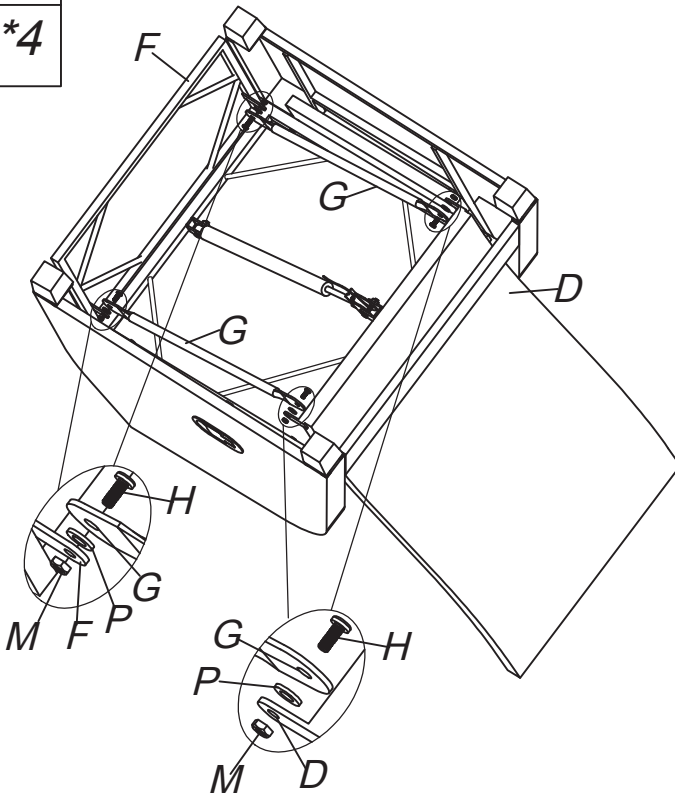
$H*4$



$M*4$

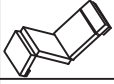


$P*4$

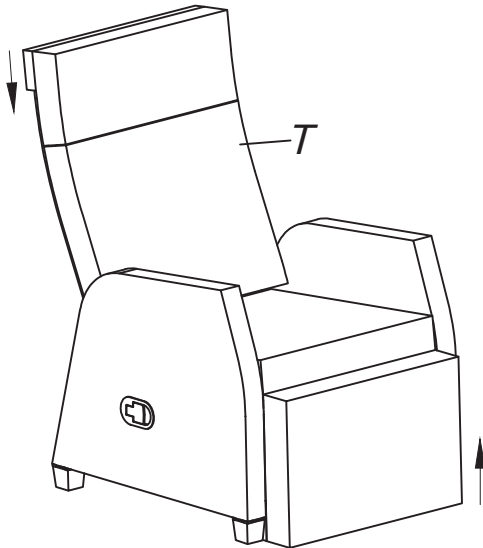
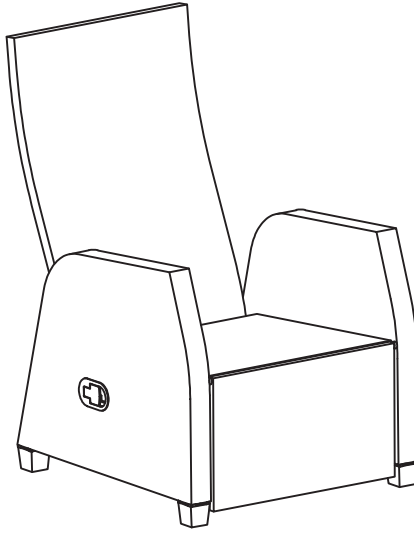


Assembly Instruction

Step 7

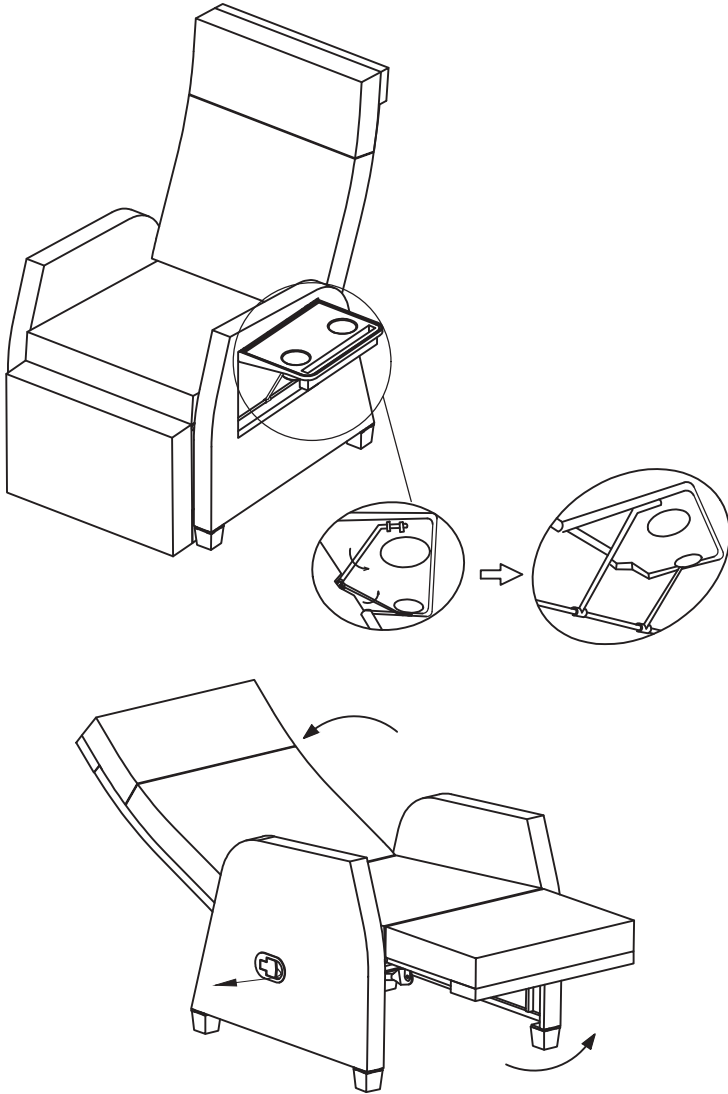


*T*1*



Assembly Instruction

Step 8



CONTACT US

If you order products on our store:

Please contact our service team if you need help. The service email is xinshenga202311@163.com.

(Guaranteed response within 24 hours)

If you order our products on Amazon/Walmart/Wayfair etc.

Log in Amazon/Walmart/Wayfair etc. to contact the seller.

Order>Sold By>Contact Seller

WARRANTY

So glad you have completed the assembly and can enjoy it.

If you are satisfied with our products, thank you for showing your favored Rattan Reclining Lounge Chair to your around.

Customer Service:

Any problem with the product or shipping issue, please feel free to contact us, we will try our best to serve and help.