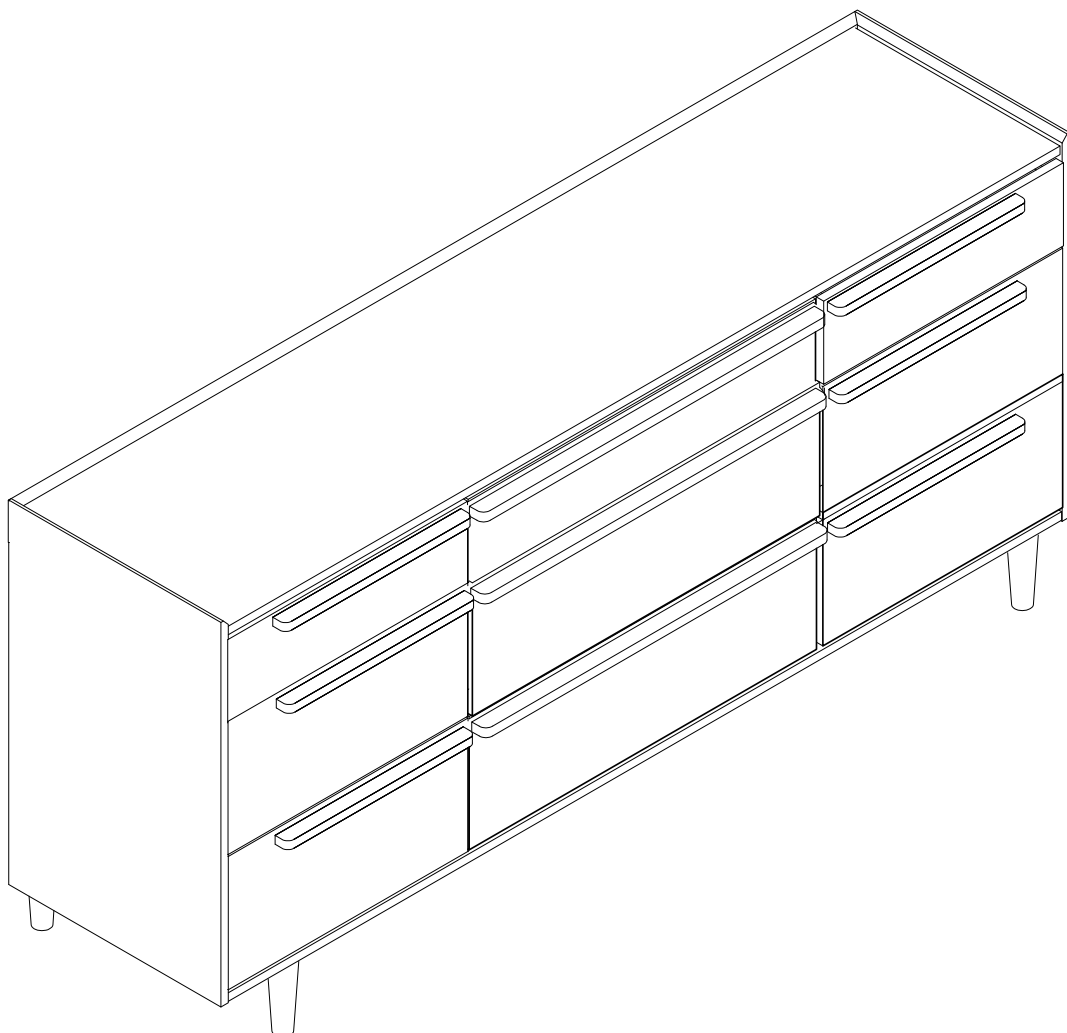
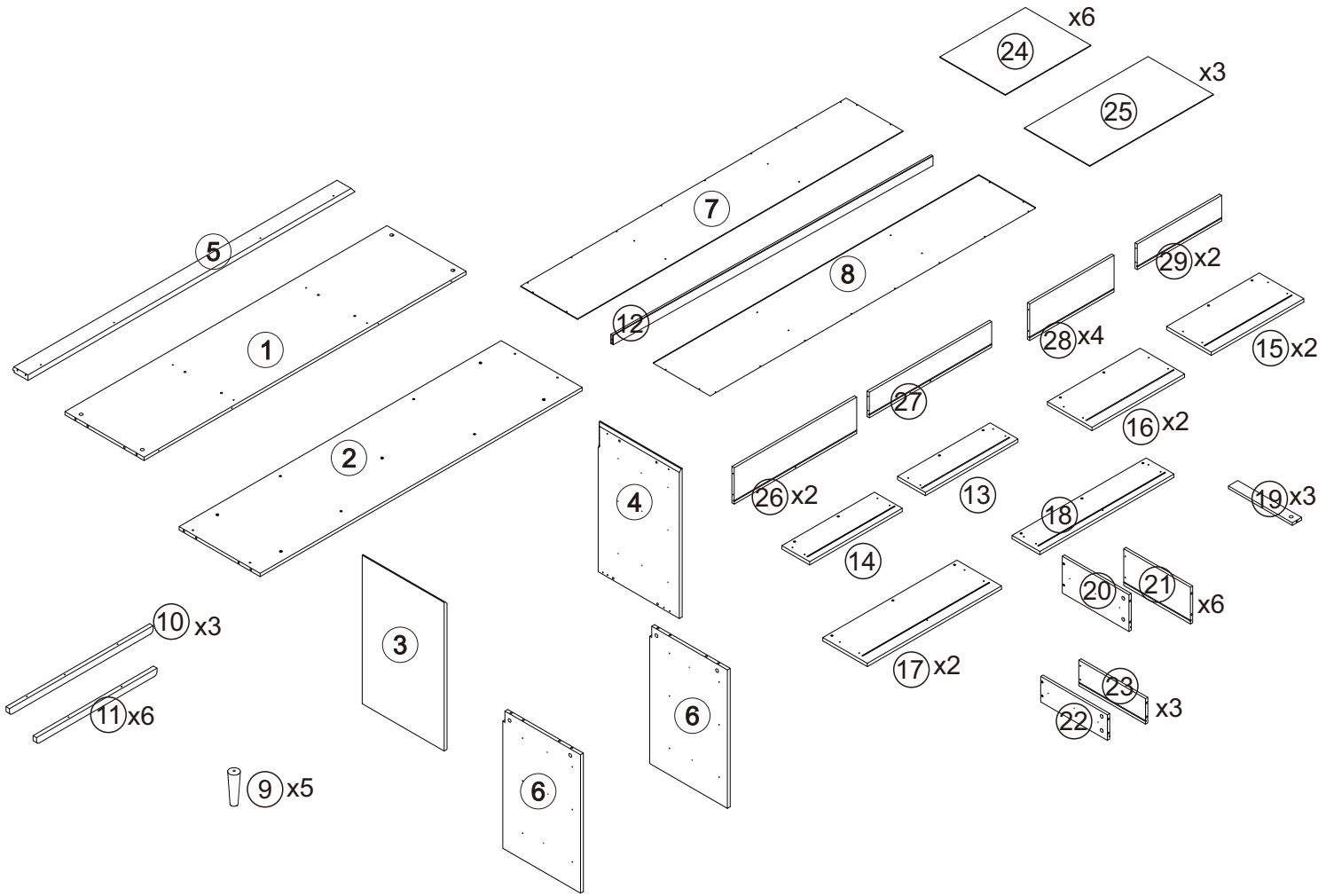


ASSEMBLY INSTRUCTION

Dresser WF298995AAW&WF298998AAW





Box WF298998AAG

| | | | | |
|------|-------|-------|------|------|
| | | | | |
| Ax18 | Bx116 | Cx51 | Dx64 | Ex16 |
| | | | | |
| Fx51 | Gx32 | Hx129 | Ix2 | Jx2 |
| | | | | |
| Kx6 | Lx2 | Mx5 | Nx5 | Ox1 |
| | | | | |
| Px4 | Qx4 | Rx1 | | |

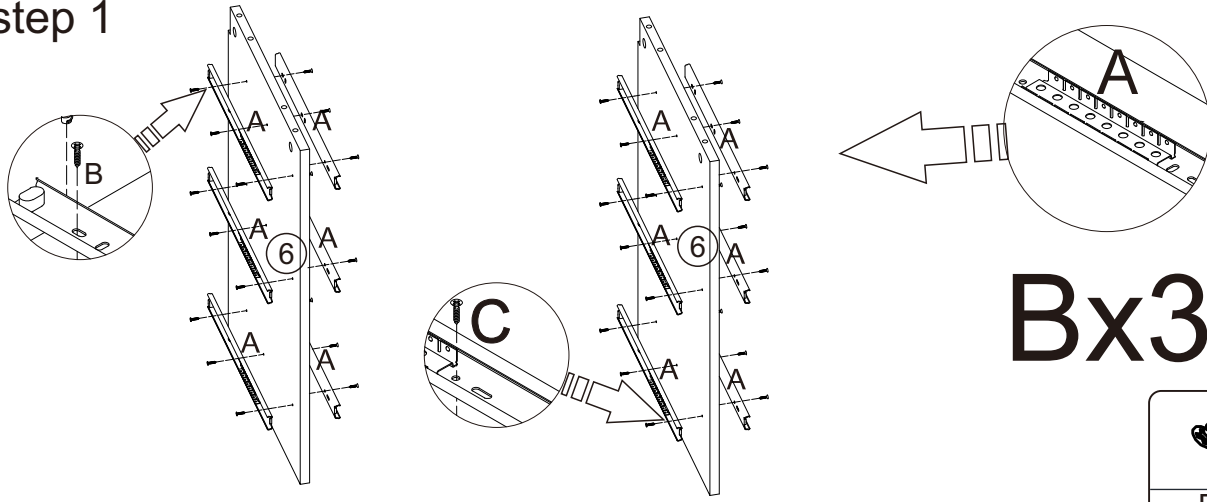
Box WF298995AAW

| | | | | |
|-------|-------|-------|-------|-------|
| | | | | |
| ① X1 | ② X1 | ③ X1 | ④ X1 | |
| | | | | |
| ⑤ X1 | ⑦ X1 | ⑧ X1 | ②④ X6 | ②⑤ X3 |
| | | | | |
| ②② X3 | ②③ X3 | ②⑦ X6 | ②① X6 | |
| | | | | |
| ①⑩ x3 | ①① x6 | ①② x1 | ①⑨ X3 | |

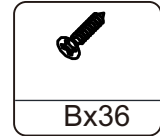
Box WF298998AAW

| | | | | |
|-------|-------|-------|-------|-------|
| | | | | |
| ①③ X1 | ①④ X1 | ①⑤ X2 | ①⑥ x2 | |
| | | | | |
| ①⑦ x2 | ①⑧ X1 | ①⑥ X2 | ①⑨ x5 | ②⑥ x2 |
| | | | | |
| ②⑦ X1 | ②⑧ x4 | ②⑨ x2 | | |

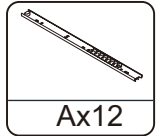
step 1



Bx36

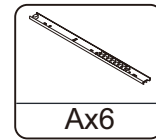
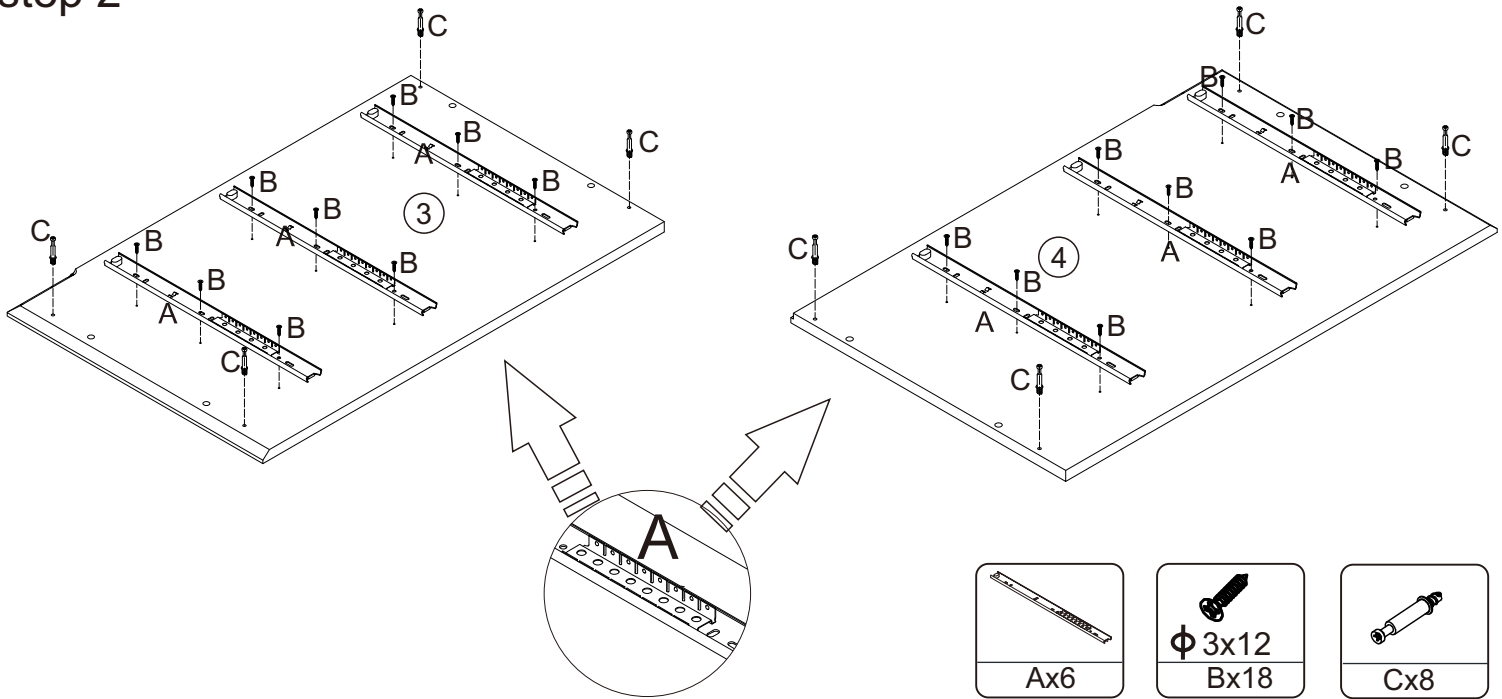


Bx36

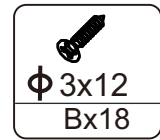


Ax12

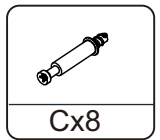
step 2



Ax6

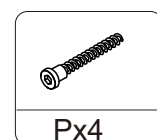
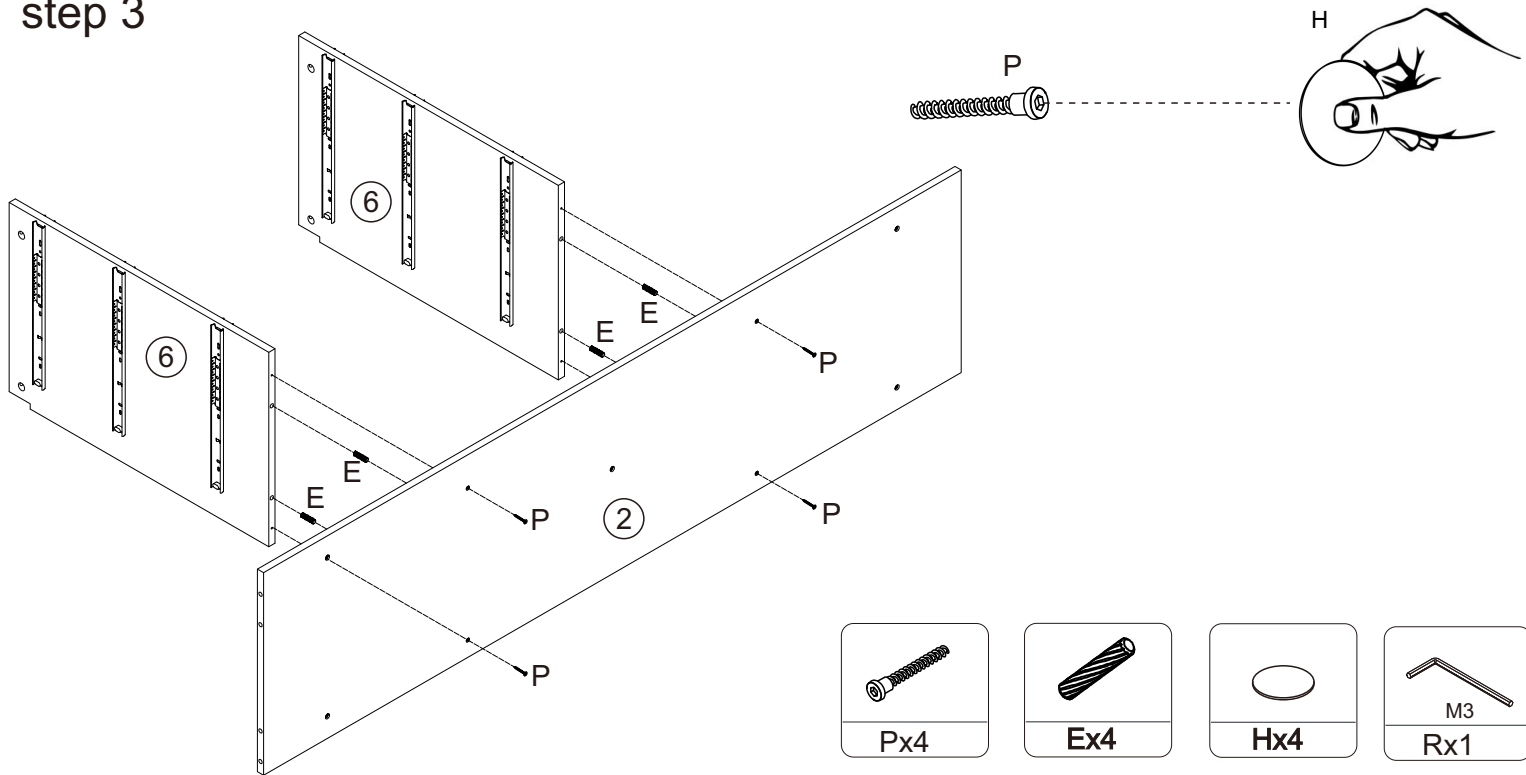


ϕ 3x12
Bx18



Cx8

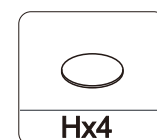
step 3



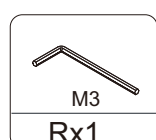
Px4



Ex4

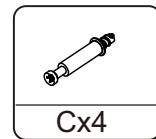
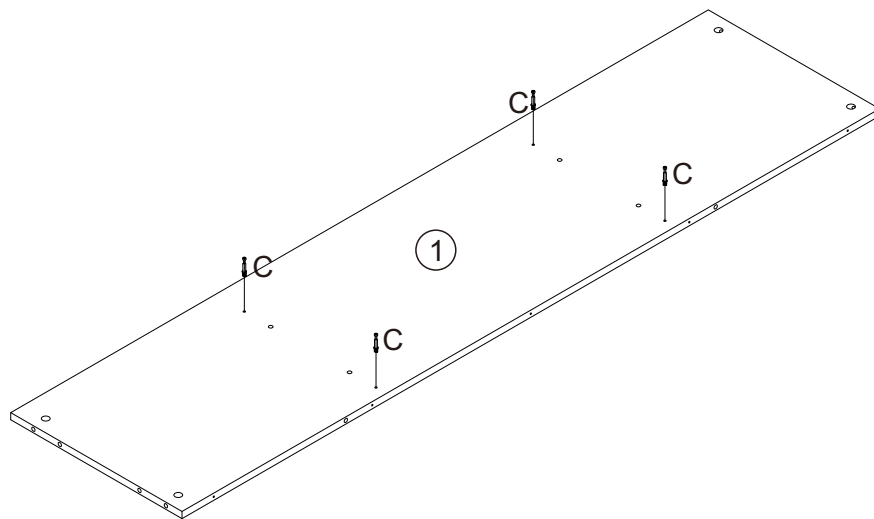


Hx4

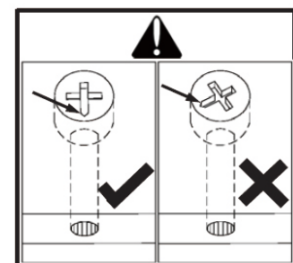
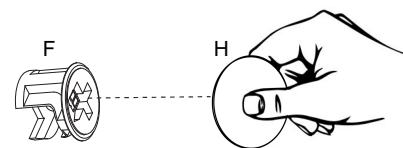
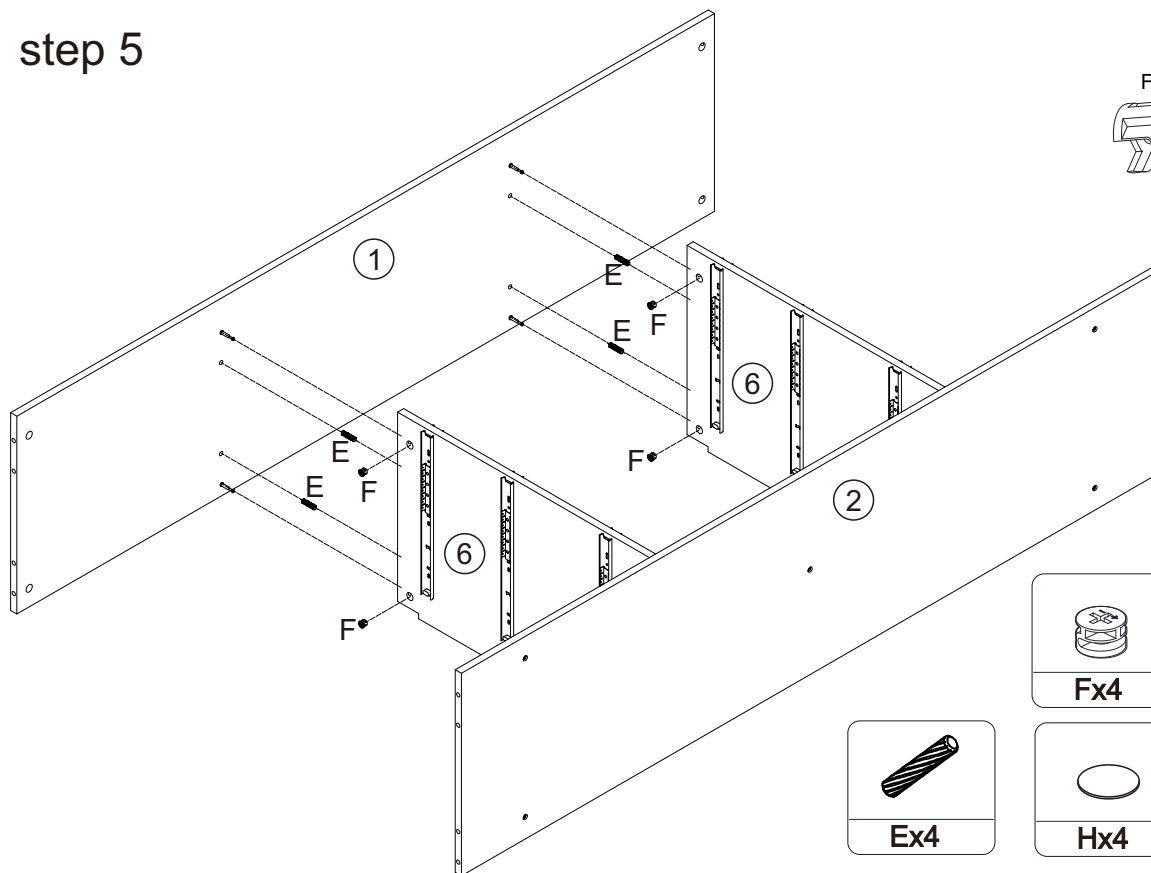


M3
Rx1

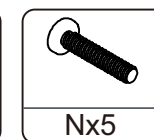
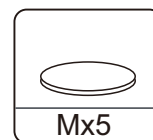
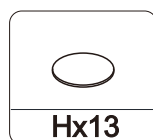
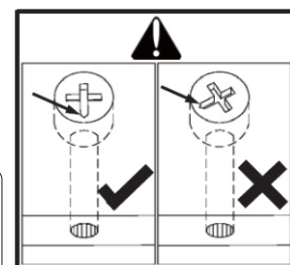
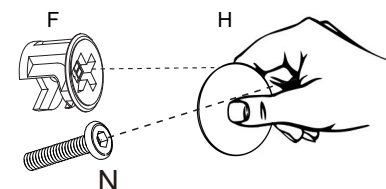
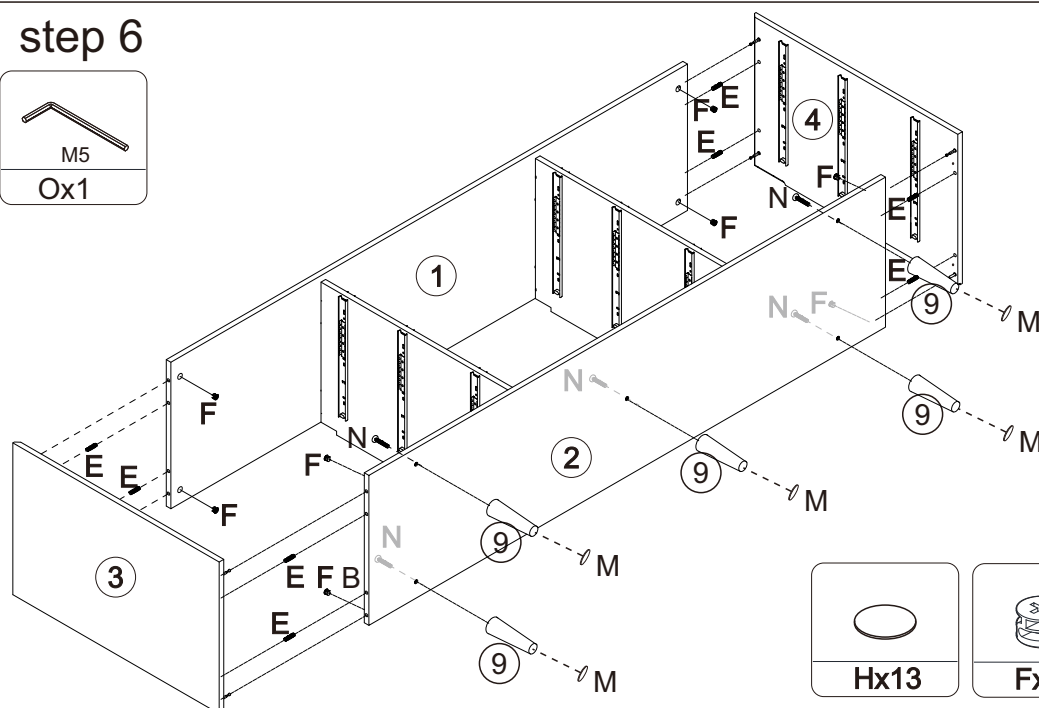
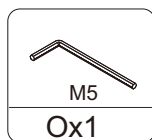
step 4



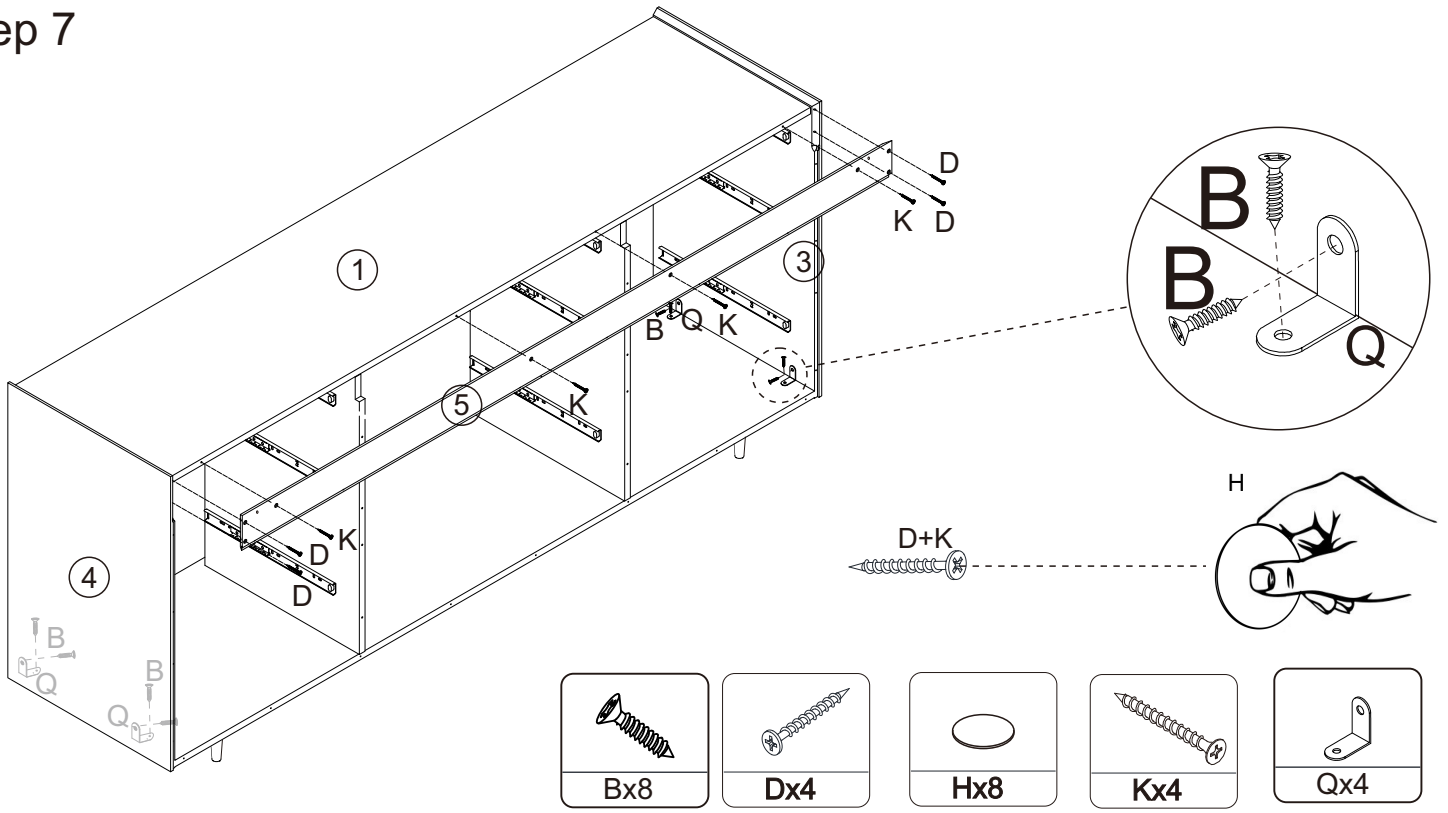
step 5



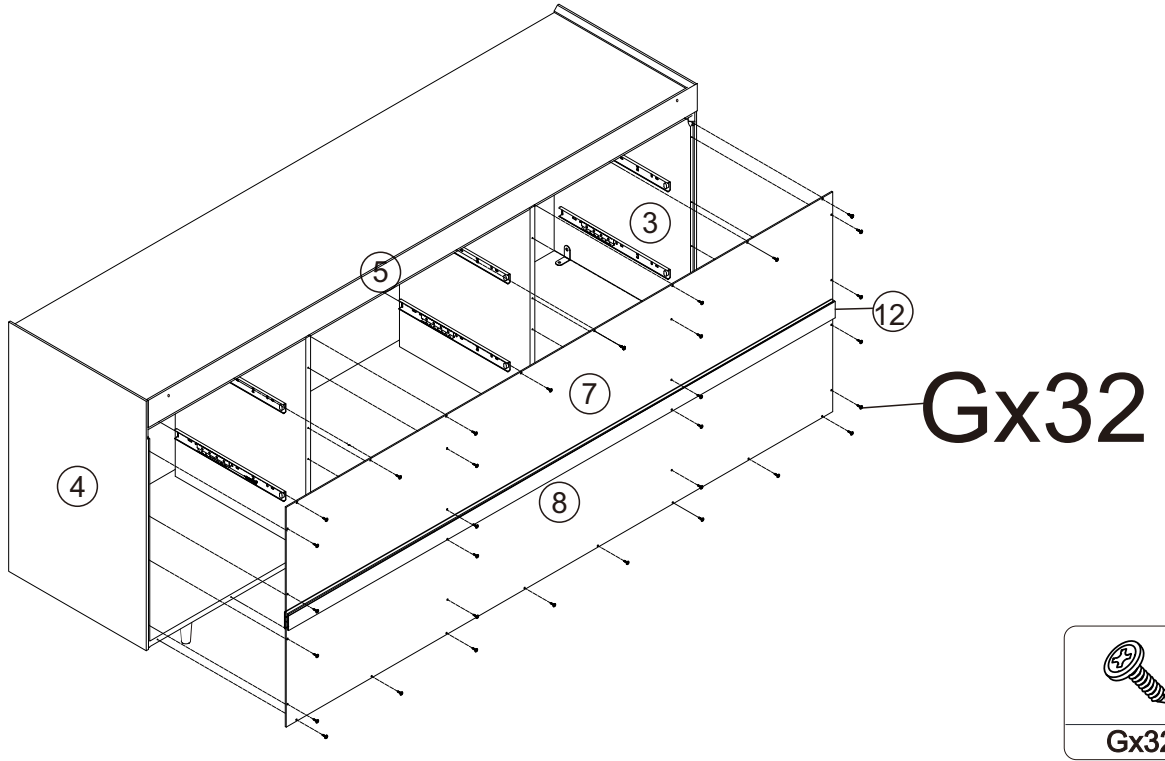
step 6



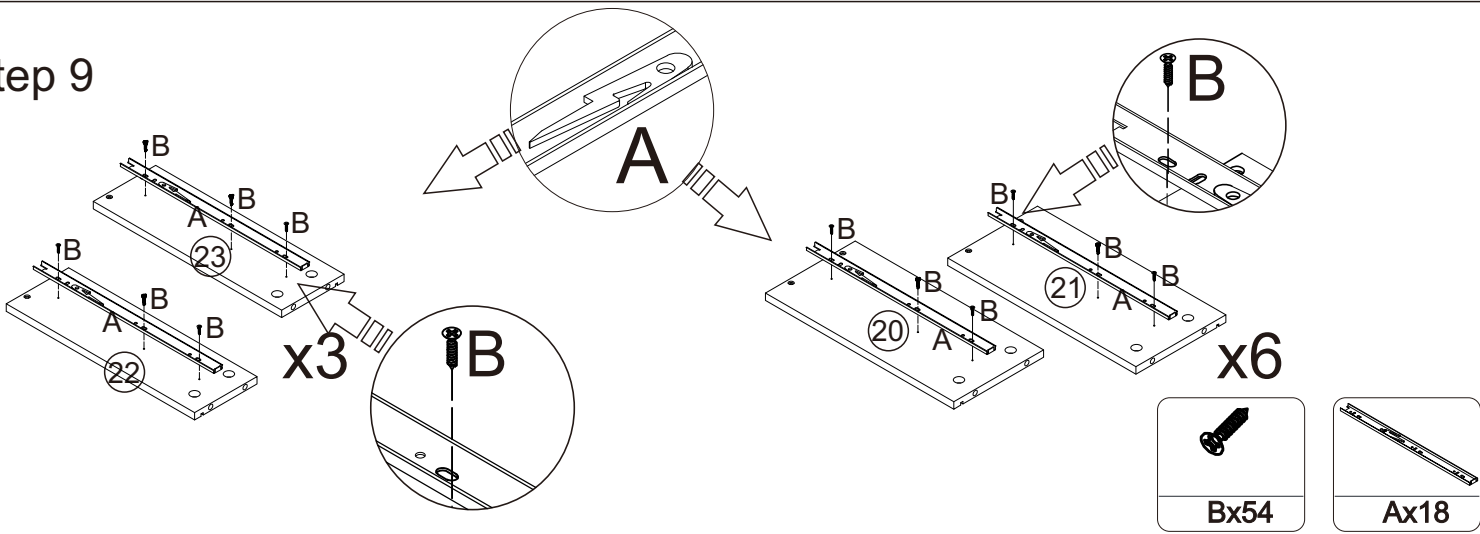
step 7



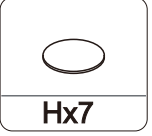
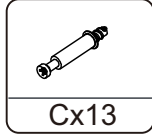
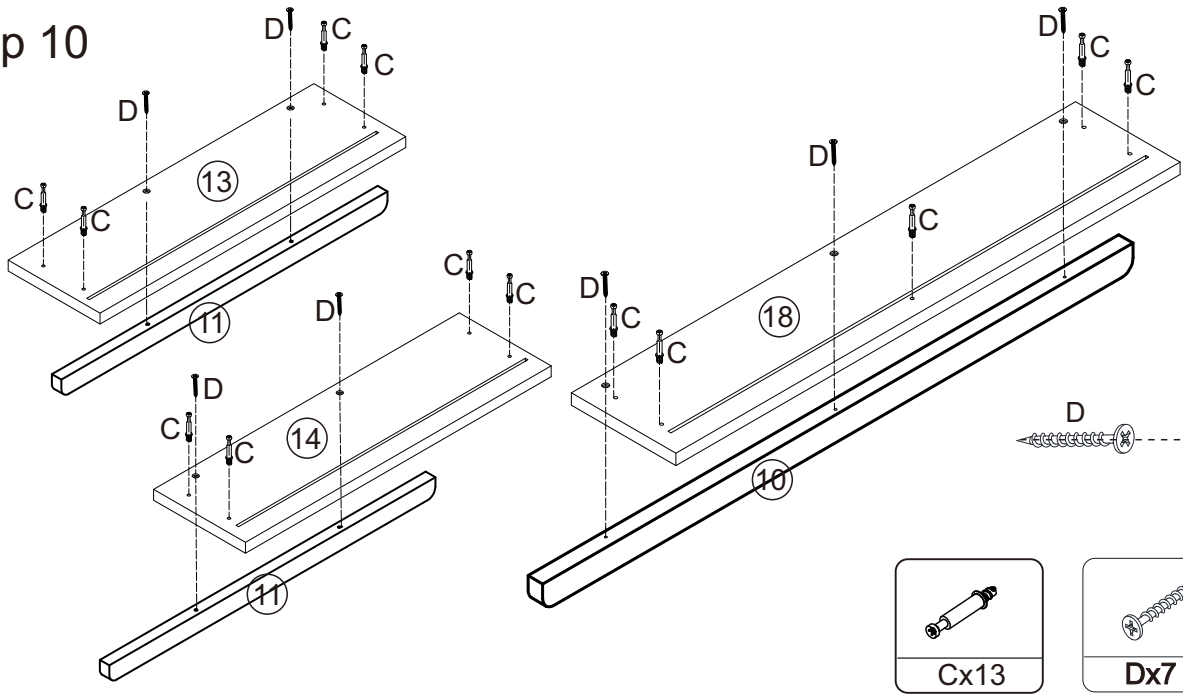
step 8



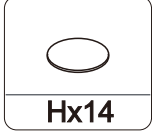
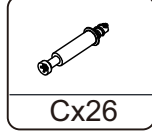
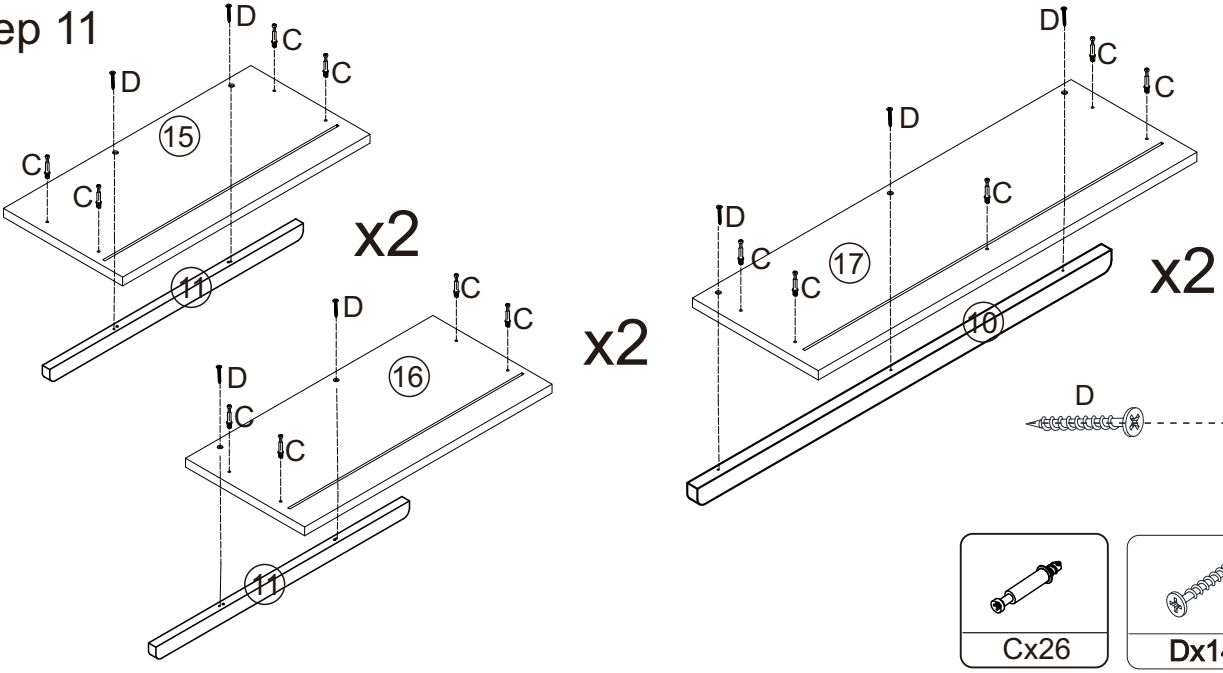
step 9



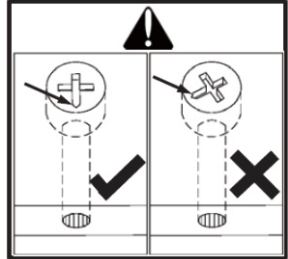
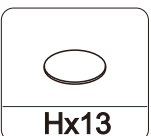
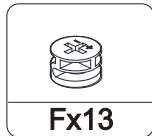
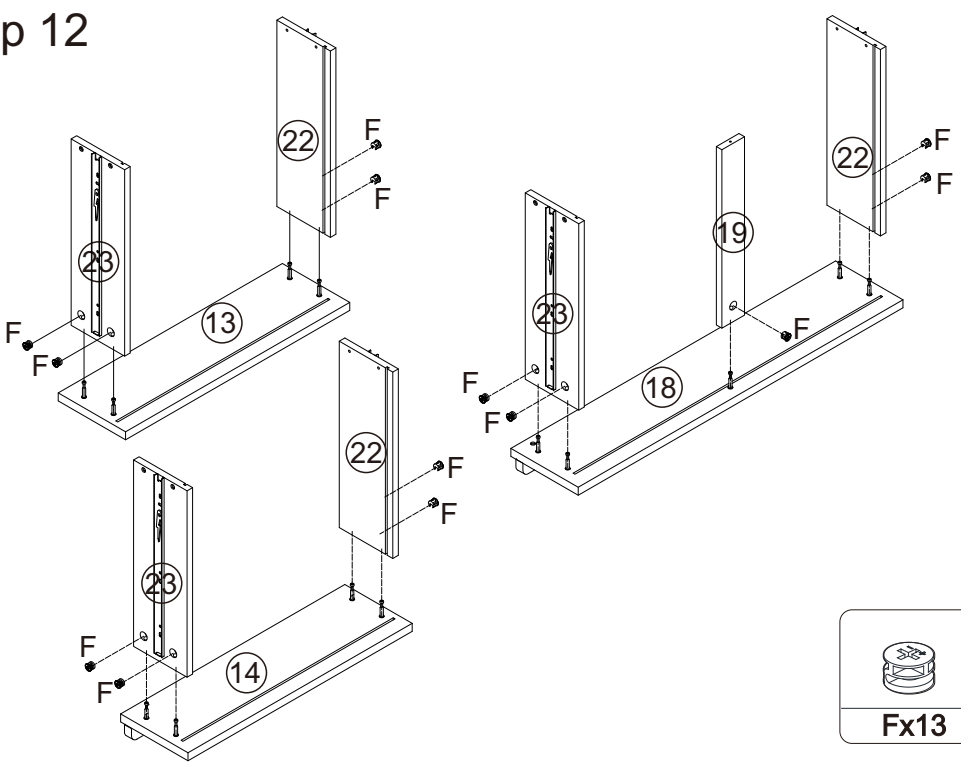
step 10



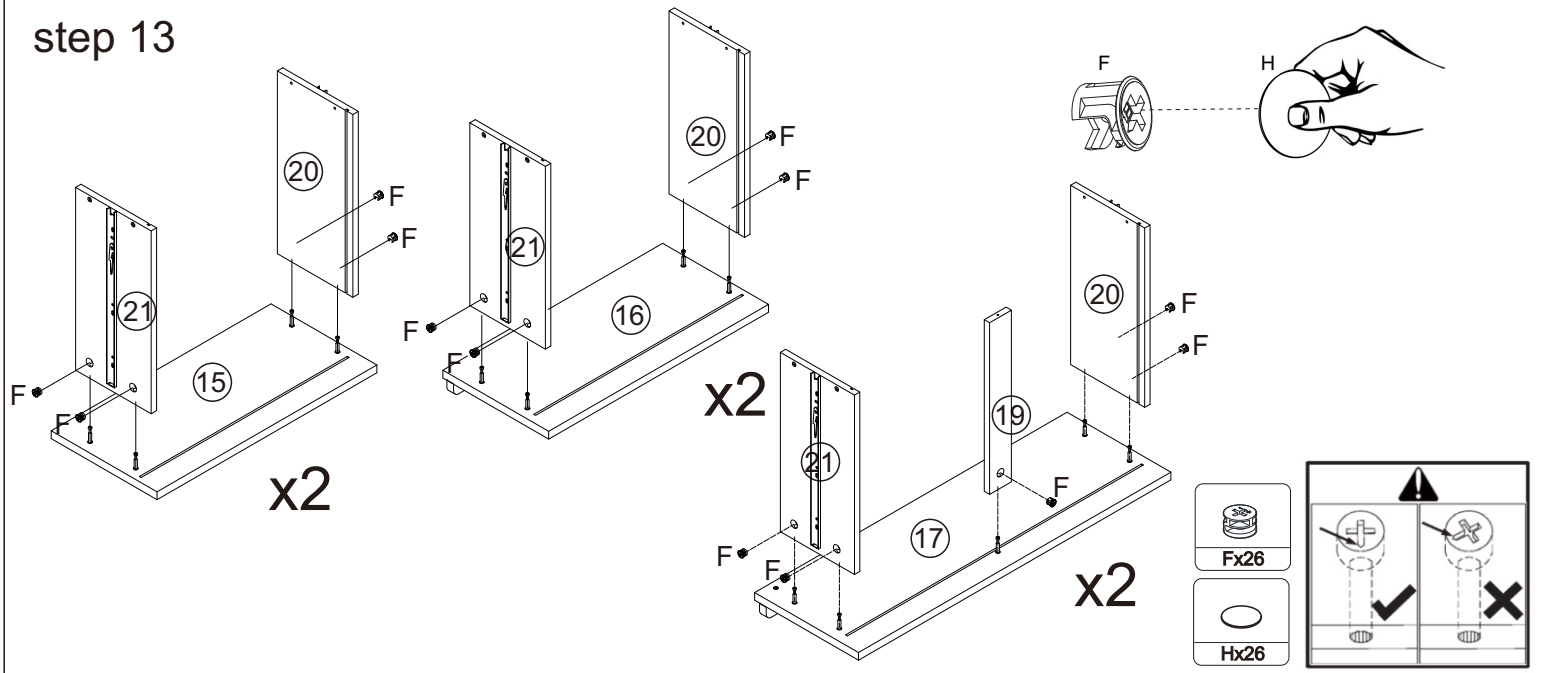
step 11



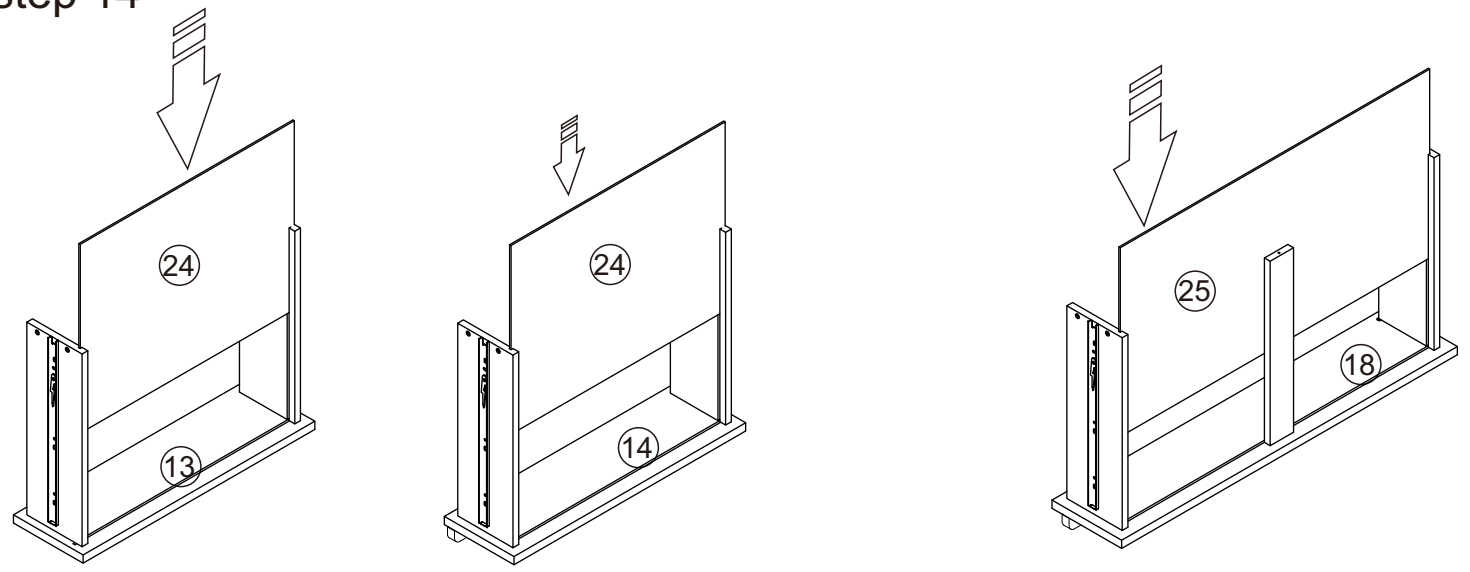
step 12



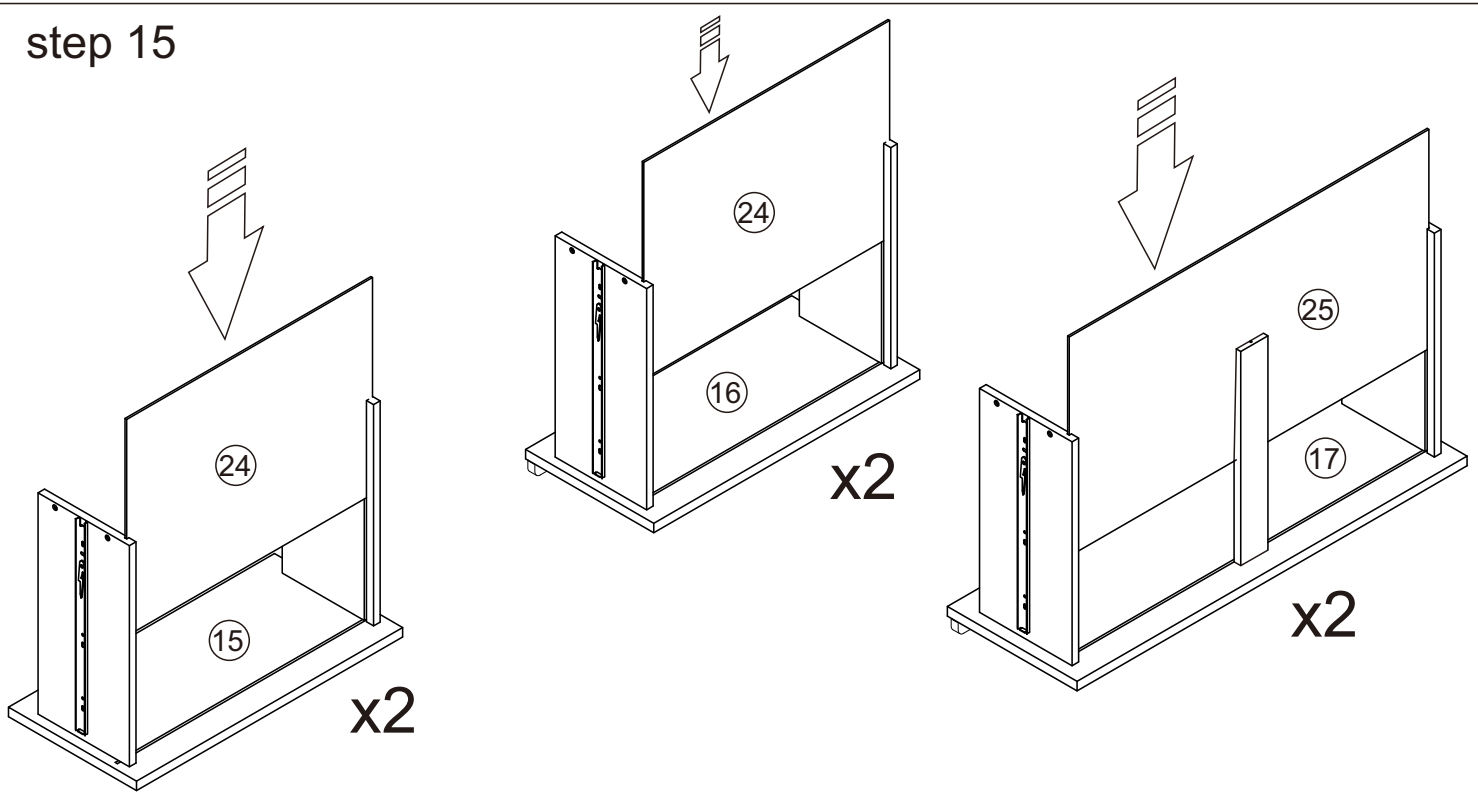
step 13



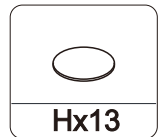
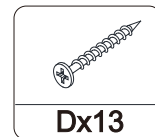
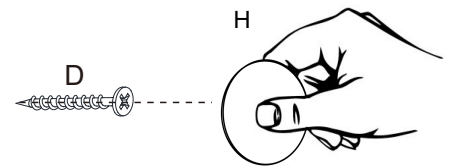
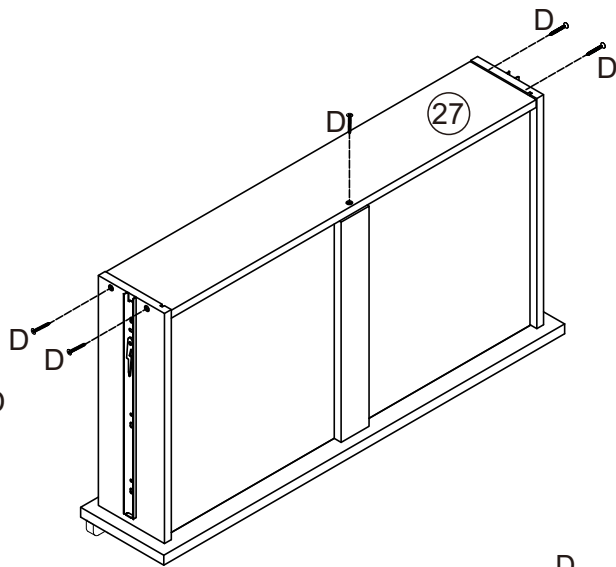
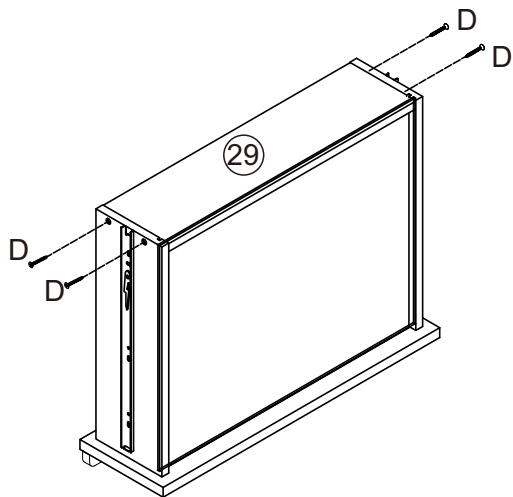
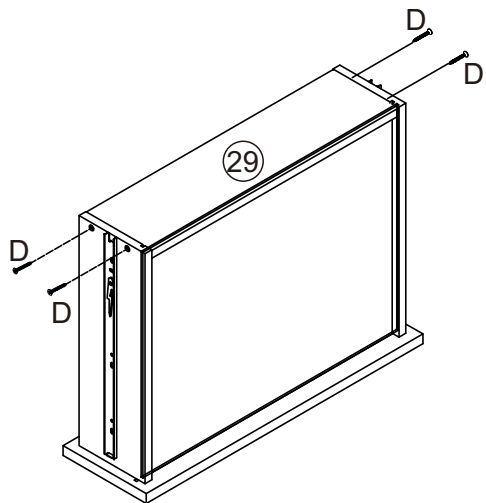
step 14



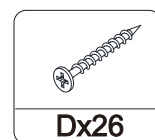
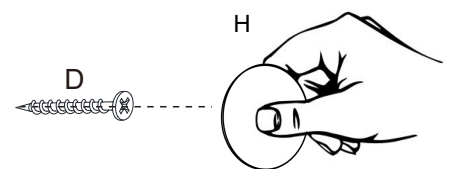
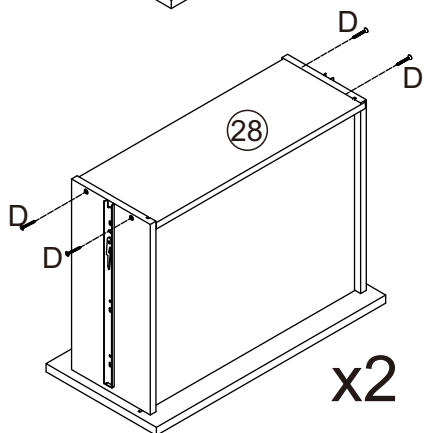
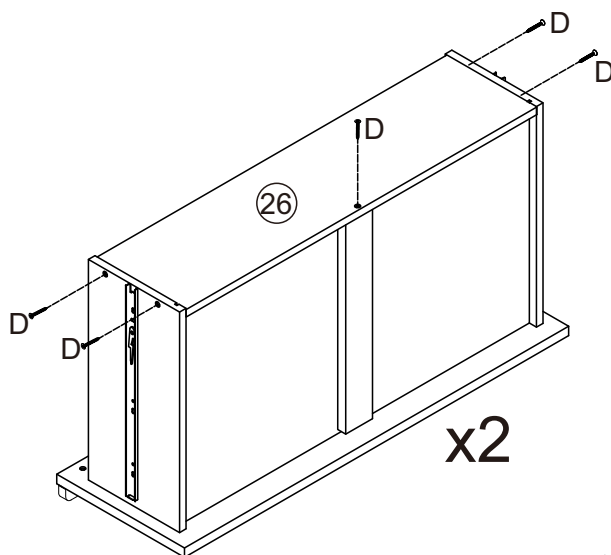
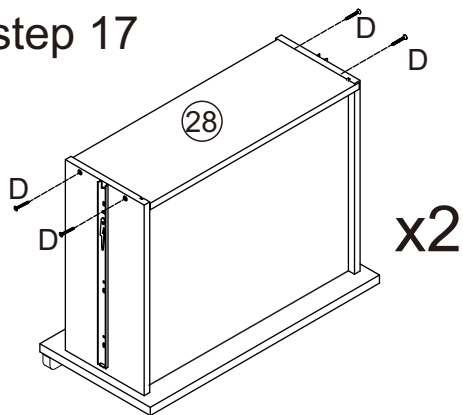
step 15



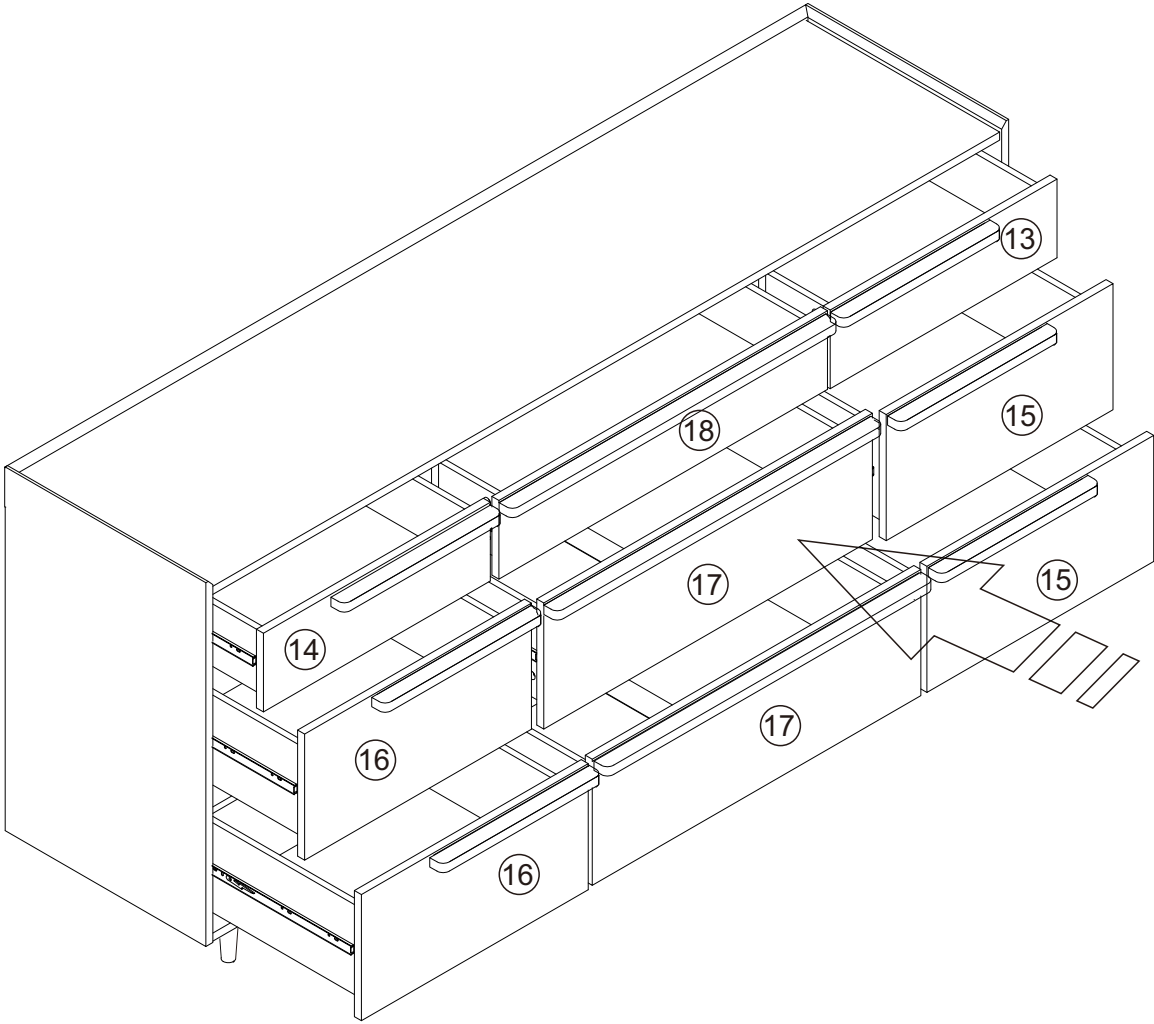
step 16



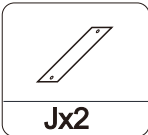
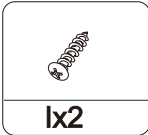
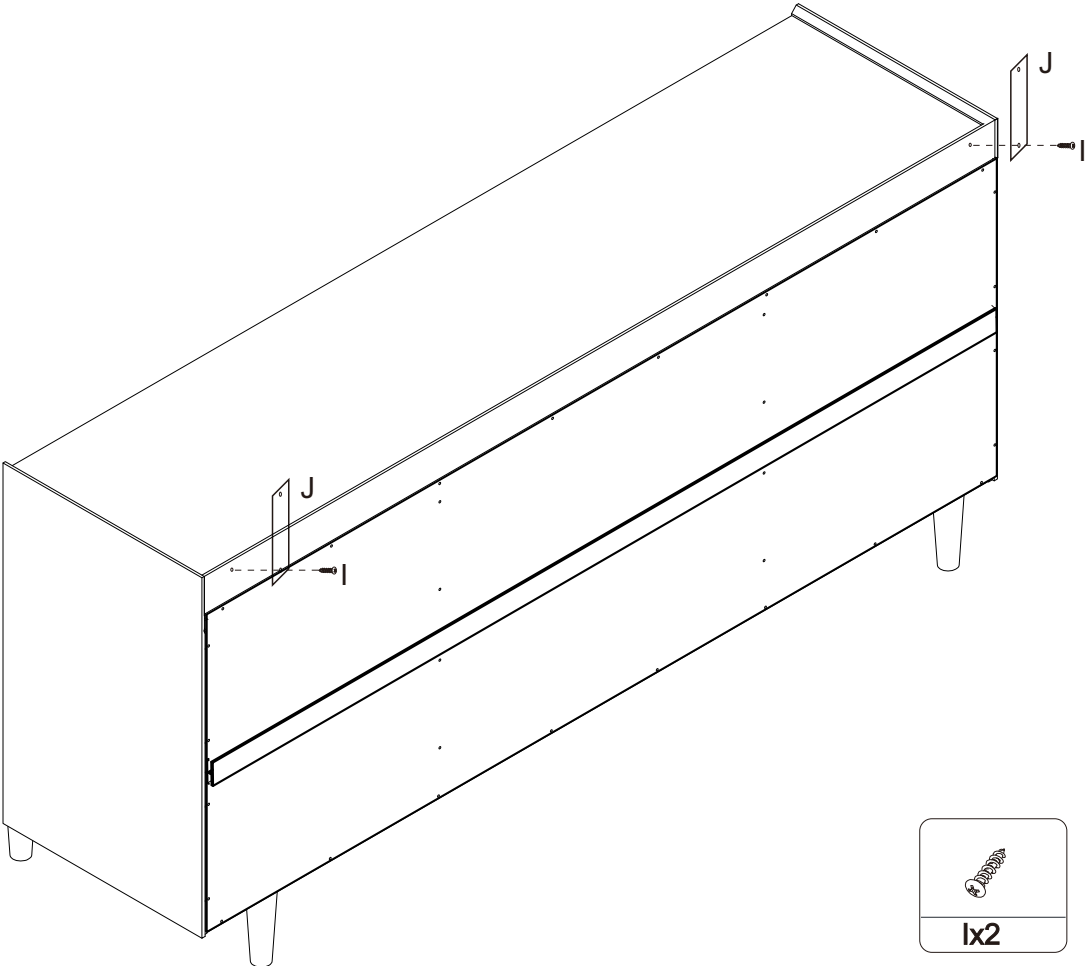
step 17



step 19



step 20



step 21

