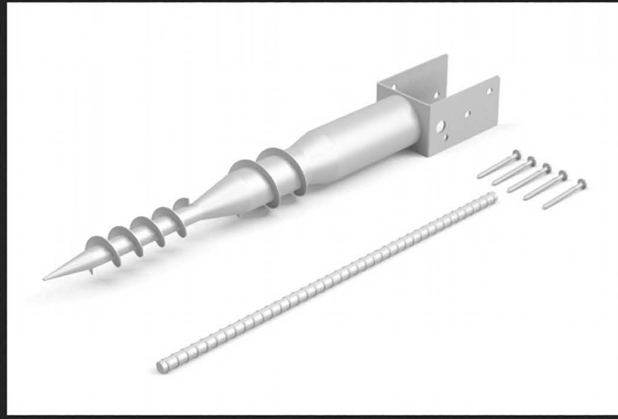


No-Dig Ground Screw Installation



Package Contents:

- 1x No-Dig Steel Ground Screw
- 1x Rebar
- 5x Lag Bolts

Materials Required:

4x4 Wood Post (48 inch length recommended, not included)

Tools Required:

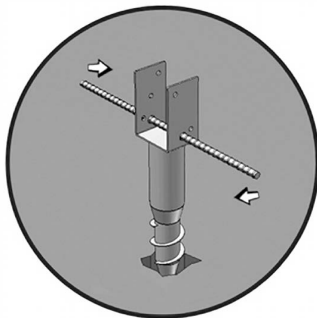
Cordless drill, 7/16" socket bit, tape measure, & level

General Information:

- Read instructions carefully before beginning assembly.
- Please refer to local codes and regulations before installing your ground anchor
- No-Dig Ground Screw performs best in standard soil conditions, not suitable for rocky or sandy conditions.
- When using the ground anchor with a mail post installation please note that USPS regulations require the front of the mailbox to be set back 6-8 inches from the curb.

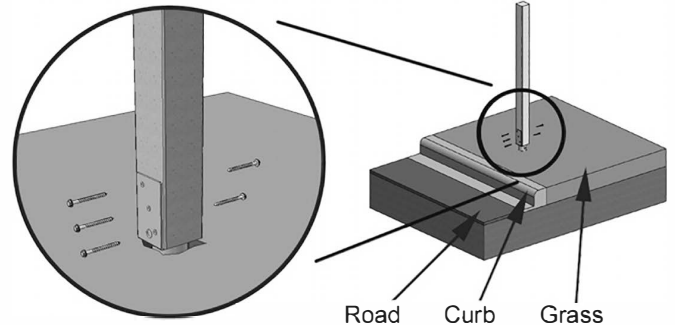
1

Place the ground screw in the desired location. With downward pressure, twist into the ground using the piece of rebar provided. Every few turns check that the screw is straight.



2

Insert the 4x4 wood post (not included) into the ground anchor saddle as shown below. Secure the post to the screw using the 5 lag bolts provided.



3

Slide the decorative mail post sleeve over the wood post and anchor assembly. The bottom of the decorative post should sit flush on the ground. Some extra force may be required for the sleeve to pop over the saddle and bolts on the ground screw.

