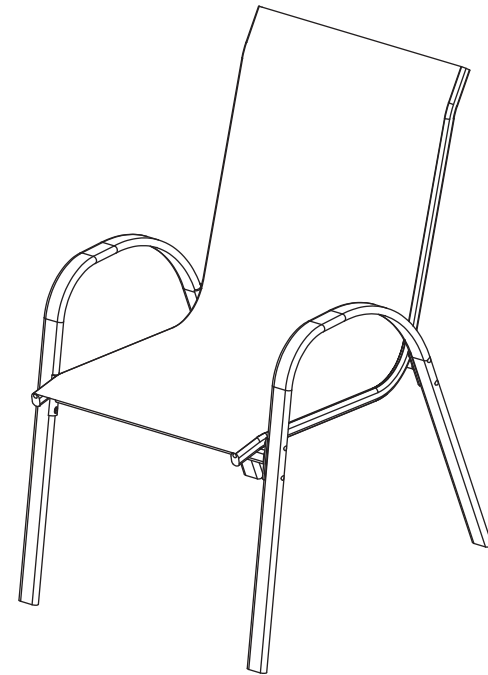




## INSTRUCTION MANUAL



**4PCS Textilene Patio Dining Chairs**

Model : DC02

**OUTERPRO CORP.**

201 E Center st ste 112 #3500,  
Anaheim CA 92805

[www.sourcitrusliving.com](http://www.sourcitrusliving.com)

*If you have any questions, please contact us:*

 [Service@outerprocorp.com](mailto:Service@outerprocorp.com)

**THANK YOU** for your trust

Dear Customer,

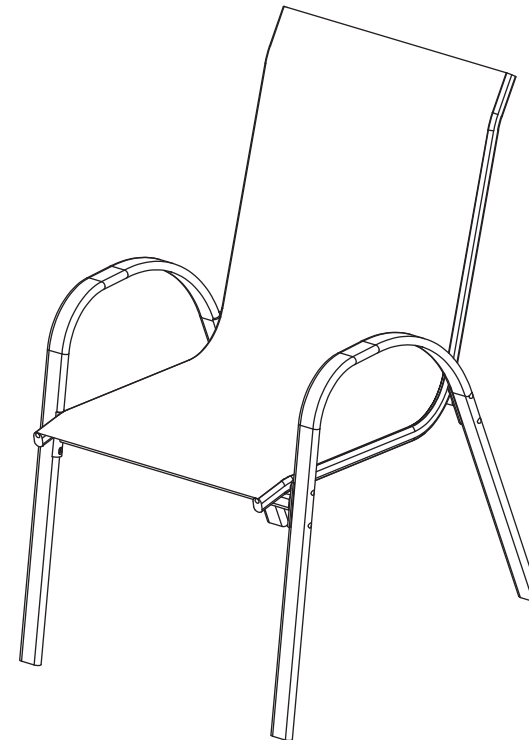
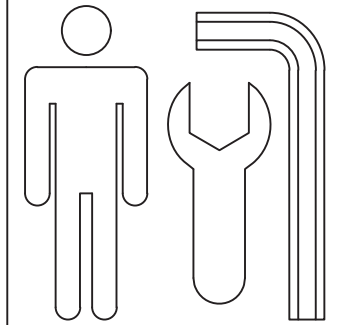
Thank you for choosing Sour Citrus to enhance your home and outdoor spaces. This product is thoughtfully designed to bring comfort and style to your space. Sour Citrus devotes to delivering exceptional quality and innovative outdoor furniture.

Before assembling or using this product, please inspect it for any damages and ensure that all parts and hardware are included. If you notice any issues, please refrain from using the item and contact our customer service at [service@outerprocorp.com](mailto:service@outerprocorp.com).

Should any parts be missing, kindly reach out to us, and we will promptly provide the necessary items.

This furniture is suitable for both indoor and outdoor settings. Please read and follow the assembly instructions carefully, and use the product as intended in this manual. Sour Citrus is not responsible for any damage resulting from improper use.

## INSTALLATION STEPS



Part Number	Images and Size	Qty.
A		2
B		1
C		1
D		1
E		1
F	 M6*52	4
G	 M6*68	4
H	 ø16*ø8.5*1.0	17

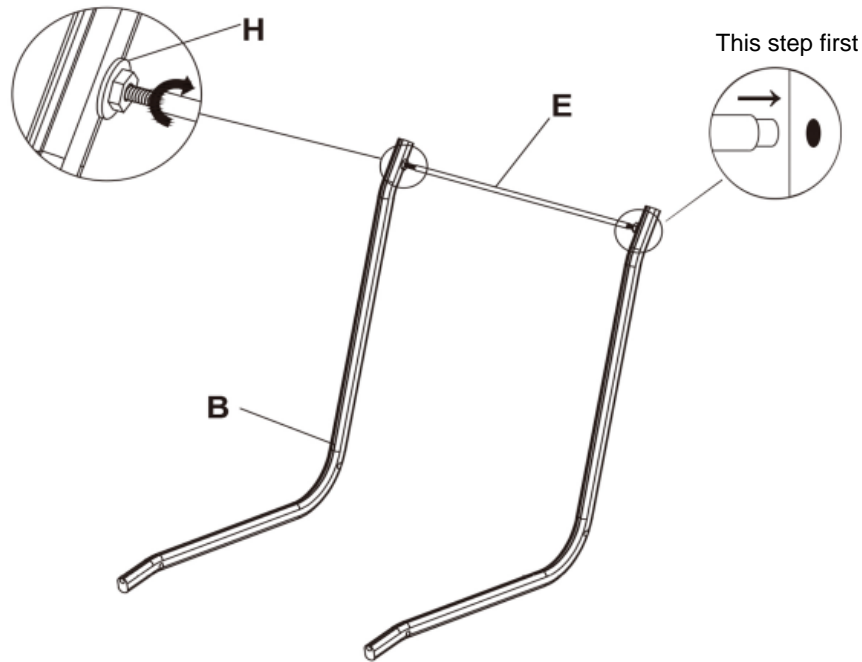
K		1	I		8
			J		1

## ASSEMBLY INSTRUCTIONS

### ! NOTE / NOTA

Please don't tighten any bolts until all bolts place correctly and the product is lying at. If you tighten one bolt, it may cause other bolts to get out of position.

Por favor, no apriete ningún tornillo hasta que todos los tornillos estén correctamente colocados y el producto esté tumbado. Si aprieta un tornillo, puede provocar que otros tornillos se salgan de su posición.



### STEP 1

Rotate the frame with the hole facing inward. Attach the seat and backrest (B) of the chair to the support bar (E) using 1 washer (H). The length of the E can be used to control the elasticity of the back.

Gire el armazón con el orificio hacia el interior. Fije el asiento y el respaldo (B) de la silla a la barra de soporte (E) utilizando 1 arandelas (H). La longitud de la E puede utilizarse para controlar la elasticidad del respaldo.

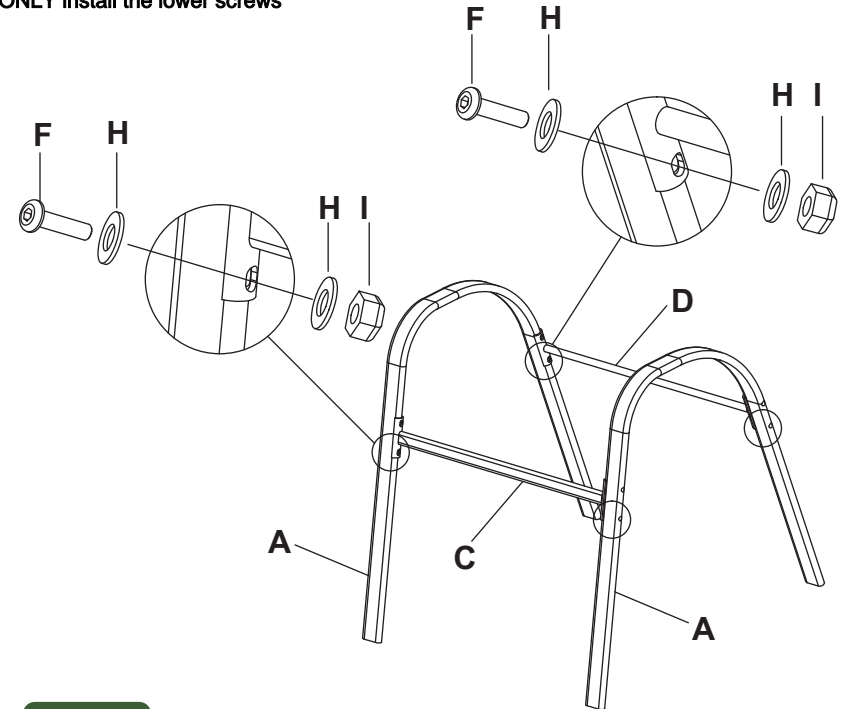
## ASSEMBLY INSTRUCTIONS

### ! NOTE / NOTA

Please don't tighten any bolts until all bolts place correctly and the product is lying at. If you tighten one bolt, it may cause other bolts to get out of position.

Por favor, no apriete ningún tornillo hasta que todos los tornillos estén correctamente colocados y el producto esté tumbado. Si aprieta un tornillo, puede provocar que otros tornillos se salgan de su posición.

**ONLY install the lower screws**



### STEP 2

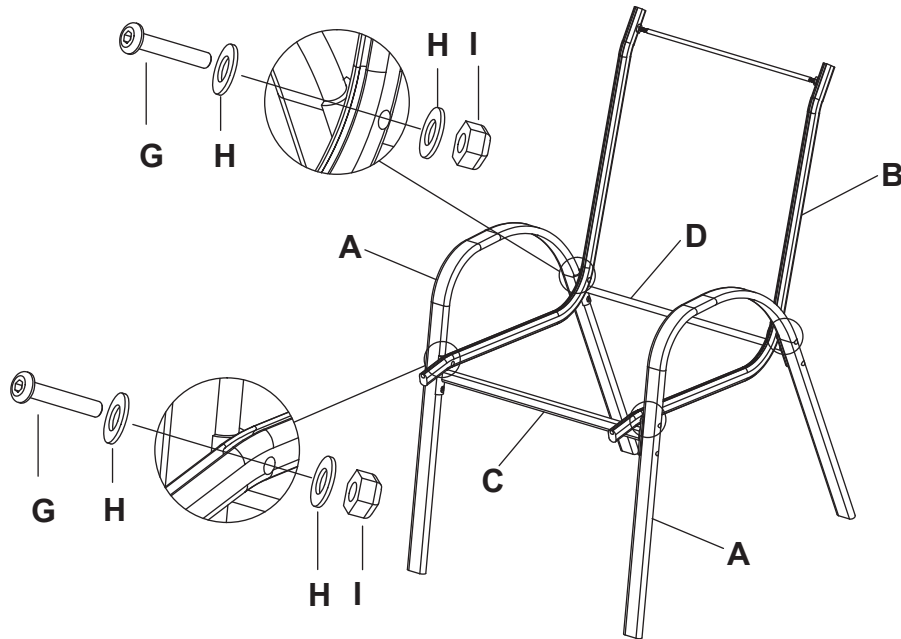
Connect the legs (A) and the support bars (C&D) with 4 bolts (F), 8 washers (H) and 4 nuts (I).

Conecte las patas (A) y las barras de soporte (C&D) con 4 pernos (F), 8 arandelas (H) y 4 tuercas (I).

## ASSEMBLY INSTRUCTIONS

### ! NOTE / NOTA

Upon completing the entire assembly and bolting up, you can tighten down all screws.  
Una vez completado todo el montaje y atornillado, puede apretar todos los tornillos.



### STEP 3

Connect the chair seat and the legs with 4 bolts (G), 8 washers (H) and 4 nuts (I).

Conecte el asiento de la silla y las patas con 4 pernos (G), 8 arandelas (H) y 4 tuercas (I).

## CARE AND MAINTENANCE

Follow the instructions for the product's material to ensure it stays in the best shape as long as possible. The information below is a general guideline. Don't hesitate to get in touch with us to learn more.

- Only rinse it thoroughly with clean water to wash away dirt and grime. Never use abrasive cleansers on the furniture since they can attack the surface and leave behind scratch marks.
- For stubborn grime and stains, use a soft sponge and mild soapy water. Then dry it with a cloth or paper towel.
- Check the stability of the screws, nuts, and nut caps before each use. Then, tighten them up after one to two months' use whenever required.
- Avoid improper use, and be careful not to scratch or damage the surface with sharp objects.
- When you move your furniture, lift it rather than pulling or pushing it to avoid damaging the floor, legs, and mounting