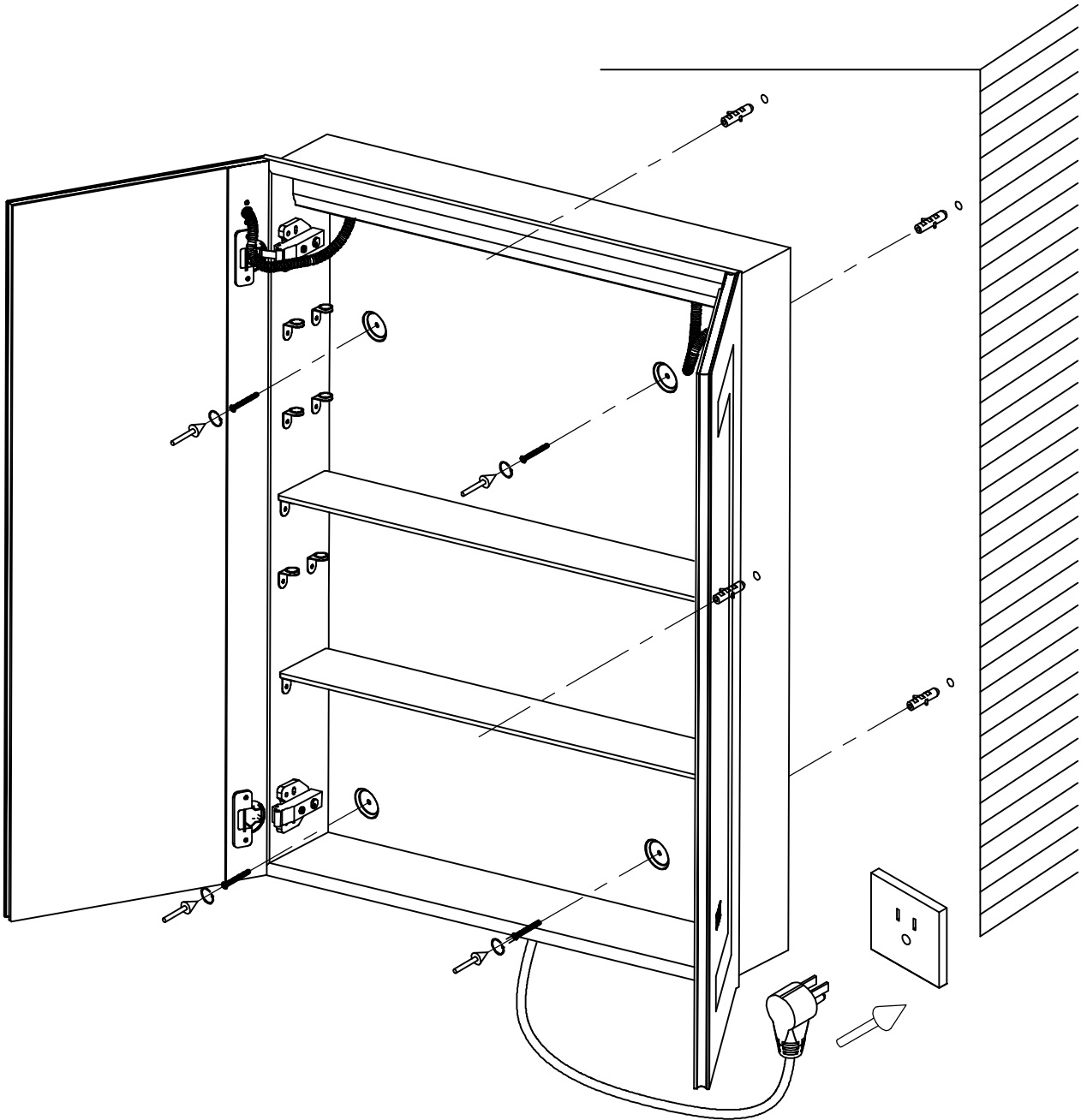


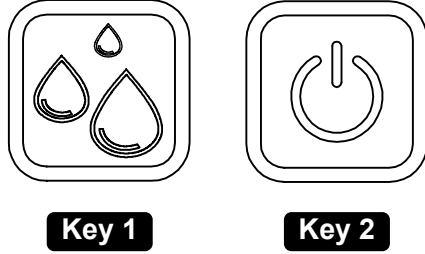
Installation and Operation Manual

① Installation Instruction



- Before installation or maintenance, ensure electricity is switched off at the mains.
- Maximum voltage 120V 60HZ.
- Mark the position of the hanging screws using a pencil. This is where the plastic expansion bolts will be installed.
- Drill holes in the marked positions and place the expansion bolts into the holes
- Align the mirror cabinet with the bolt holes, and then secure it with bolts.
- Connect and wrap the power according to the professional electrician's standard.
- Make sure the mirror is fixed firmly on the wall and installation is done.

② Mirror Light Two-Key Touch switch manual



- **Key 1** Click on/off for defogging

Indicator light: 6000K cold indicator light in the on status; indicator light turns off in the off status; blue indicator light appears when in the touch status.

It is recommended to turn on the defogging function 5 minutes before showering to ensure that the mirror can be used normally during the shower. The defogging function will automatically turn off after 60 minutes of non-use.

- **Key 2** Click on/off for LED strips, It has a soft start function, Short press to adjust CCT (Cold light, Natural light, Warm light) within 5 seconds.) . long press to achieve infinite dimming when the light is on than 5 seconds.

Indicator light: 6000K cold indicator light in the on status; indicator light turns off in the off status; blue indicator light appears when in the touch status.

- With memory function. The light state of staying before turning off can be retained for continued activation after turning on the lights

Maintenance: Do not clean the mirror with alkaline or acidic cleaners which will corrode the mirror, but use neutral Cleaners or water; Do not clean the back of the mirror, or the reflective coating may get voided.



Made in China