

WARNING

- * Switch off the main electrical supply from the main fuse box / circuit Breaker before installation.
- * Inspect item carefully before attempting to install.
- * If there is any damages or obvious defects, do not install.
- * Item may not be returned once it has been installed.

CARE AND MAINTENANCE


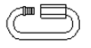
















- *To clean the outside of the fixture, use a dry or slightly dampened clean cloth (use clean water, never a solvent) to wipe the surface of the fixture.
- *To clean the inside of the fixture, first disconnect power to the fixture by turning off the circuit breaker or by removing the fuse at the fuse box. Next, use a dry or slightly dampened clean cloth (use clean water, never a solvent) to wipe the interior surface of the fixture.
- *Do not use any cleaners with chemical, solvents or harsh abrasives. Use only a dry soft cloth to dust or wipe carefully.

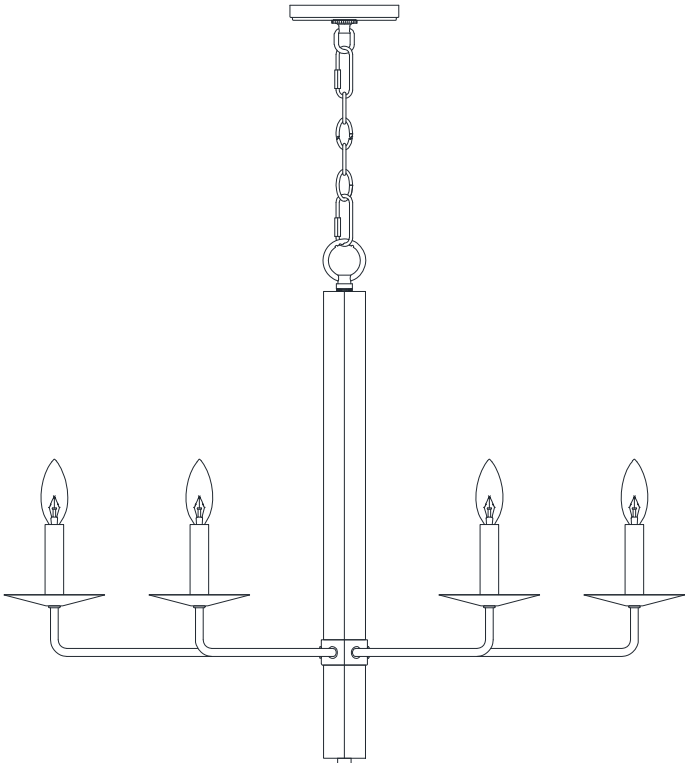
NOTICE& IMPORTANT SAFETY INSTRUCTIONS

- * WE RECOMMEND INSTALLATION OF THIS LIGHTING FIXTURE BE DONE BY A LICENSED ELECTRICIAN **
- * Please make sure that you have all parts indicated before you begin assembly of this item
- * This item should be assembled on a soft surface to prevent scratching the finish during assembly
- * To reduce the risk of fire, electrical shock or injury to persons or property, please follow the guideline below for safe use and installation

Product Dimensions: 32"L X 32"W X28.5-87.5"H

Part List and Hardware List

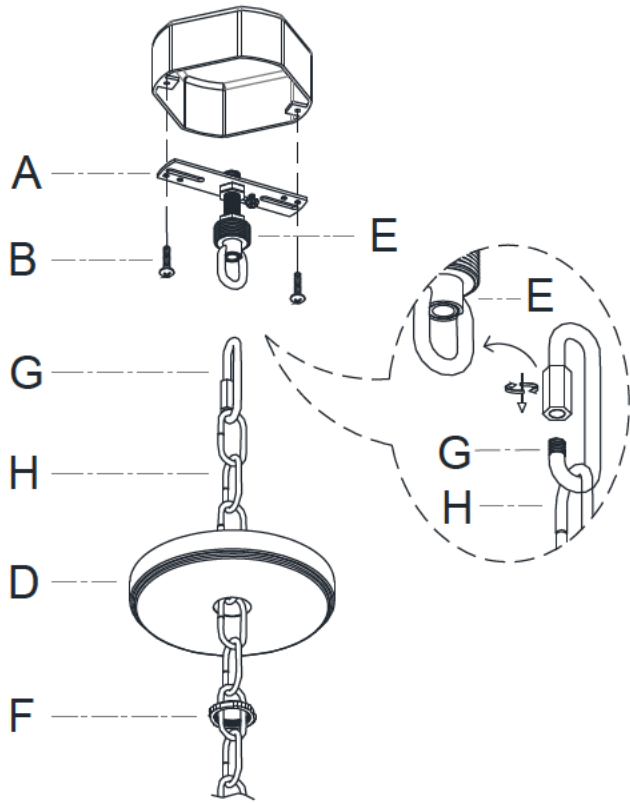
PIECE	DESCRIPTION	PICTURE	QUANTITY	PIECE	DESCRIPTION	PICTURE	QUANTITY	PIECE	DESCRIPTION	PICTURE	QUANTITY
A	mounting bracket		1X	G	Closable Link		2X	M	Lamp body		1X
B	machine screw 8/32*25mm		2X	H	chain		1X	N	short tube		1X
C	wire nut		3X	I	fixture loop		1X	O	short Hexagonal iron pipe		1X
D	canopy		1X	J	ring nut		1X	P	finial		1X
E	collar loop		1X	K	long Hexagonal iron pipe		1X	Q	bulb		6X
F	Canopy Nut		1X	L	long tube		1X	R	green ground screw		1X



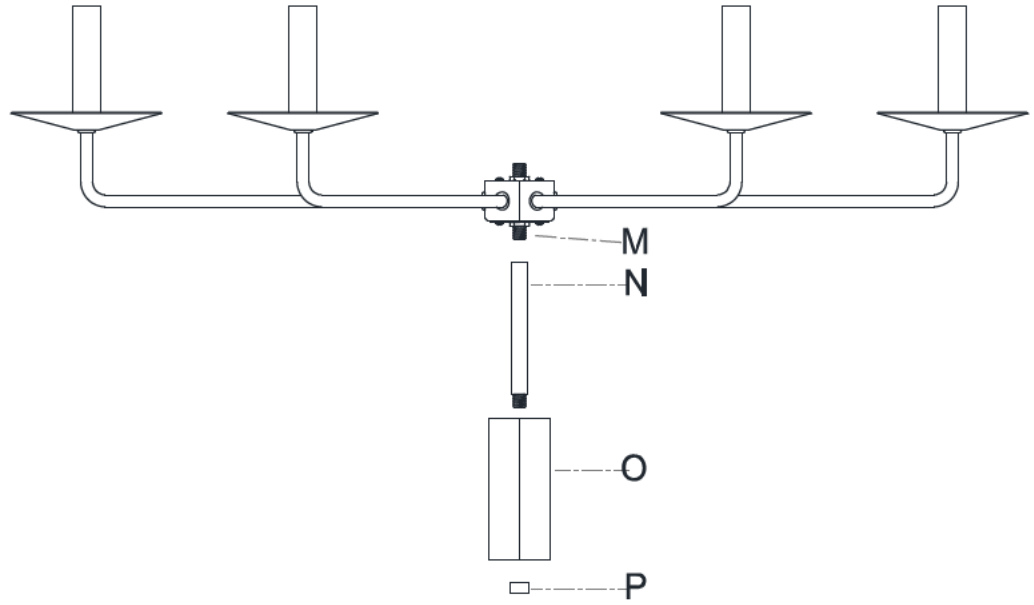
PREPARATION

- * Before beginning assembly of product, make sure all parts are present. Compare parts with package contents list and hardware contents list.
- * If any part is missing or damaged, do not attempt to assemble the product.
- * Estimated Assembly Time: 20 minutes.

NOTE: PLEASE USE ON/OFF TYPE "B" BULB MAX 40-WATT OR LED BULB MAX 9-WATT, THERE ARE 6PCS LED 4-WATT BULB IN THE BOX



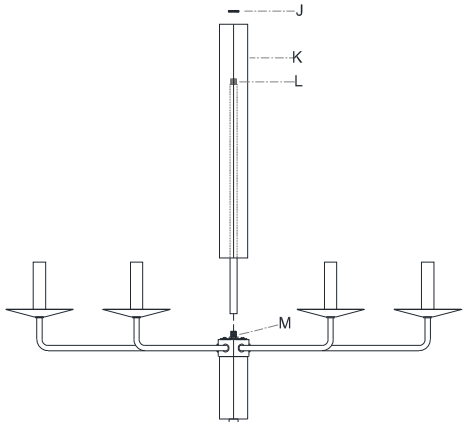
Step 1:
Fix the mounting bracket(A) to the outlet box with machine screw(B).
Place the canopy (D) over the threaded tube of the Mounting Plate (A), and screw the Hanging Loop (E) onto the threaded tube of the Mounting Plate (A). Secure the canopy (D) using Canopy Nut (F). Attach the Closable Link (G) onto the Hanging Loop (E).



Step 2:
First, the short tube (N) is installed at the bottom of the lamp body (M) and fastened, and then the short Hexagonal iron pipe (O) is set on the short tube (N) and connected with the lamp body (M); And then you tie it together with finial (P) and short tube (N)

PREPARATION

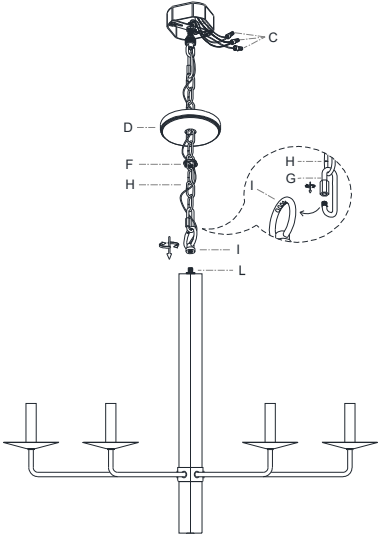
- * Before beginning assembly of product, make sure all parts are present. Compare parts with package contents list and hardware contents list.
- * If any part is missing or damaged, do not attempt to assemble the product.
- * Estimated Assembly Time: 20 minutes.



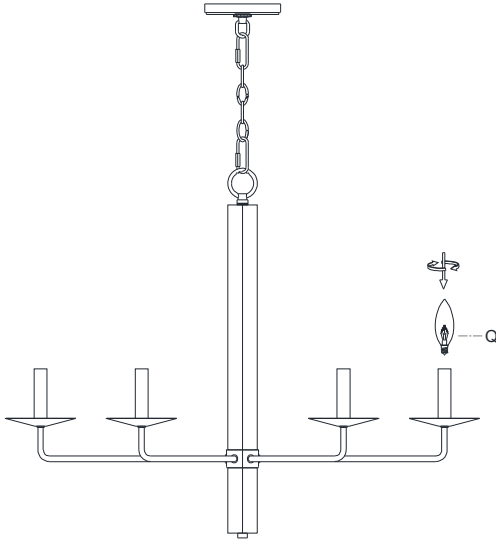
Step 3:
 First, the long tube (L) is installed on the top of the lamp body (M), and then the long Hexagonal iron pipe (K) is set on the long tube (L) and connected with the lamp body (M); Finally, it is locked with ring nut (J) and long tube (L)



Step 4:
 Make wire connections, with wire nut(C)
 Connect fixture neutral wire (ribbed) to the outlet box neutral wire (usually white) using a wire nut. Connect fixture hot wire (smooth with markings) to the outlet box hot wire (usually black) using a wire nut.
CAUTION: Do not reverse the hot and neutral connections
Grounding Instructions:
 Wrap ground wire from outlet box around green ground screw(R) on mounting bracket, no less than 2" from wire end. Tighten ground screw. If fixture is supplied with a ground wire, connect to outlet ground wire with a wire nut



Step 5:
 Separate the Canopy (D) from the Mounting Plate (A) by turning the Canopy Nut (F) anti clockwise.
 Weave the fixture wires and bare copper ground wire up through the Chain (H), Canopy Nut (F), Canopy (D), collar loop (E) and mounting bracket(A).



Step 6:
 Install bulbs(Q). Be sure to use light bulb(s) with wattage no greater than specified on this fixture. Always make sure that electrical current is turned off before changing bulbs.