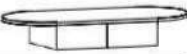








Assembly Instructions Item No. 92541

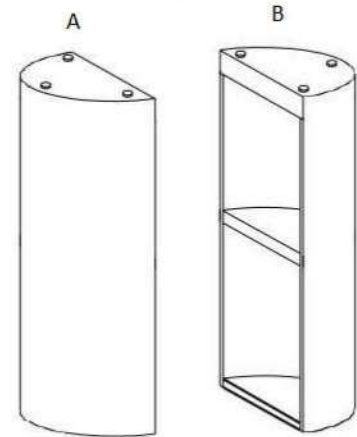
Thank you for purchasing this quality product. Be sure to check the packing material carefully for small parts that may have come loose inside the carton during shipment.

(Note: Slightly tighten all screws/bolts first. Once the item is assembled then completely tighten all the screws.)

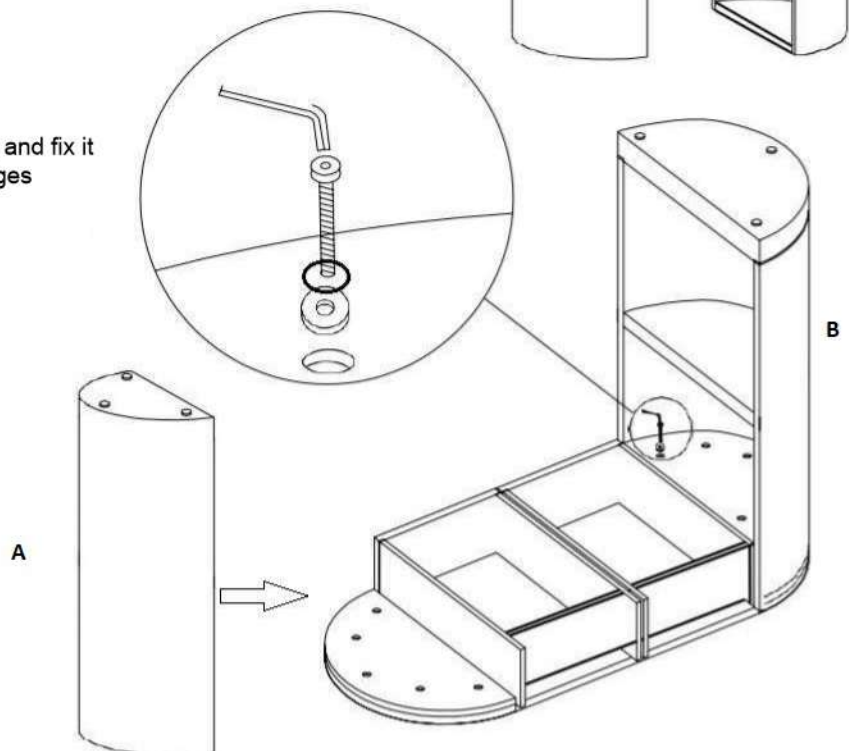
Parts List				Hardware List			
No.	Description	Sketch	Qty	No.	Description	Sketch	Qty
A	Table Top		1	1	Bolt 8x30mm		10+1
B	Base A		1	2	Washer 8x20mm		10+1
				3	Spring Washer 8x15mm		10+1
C	Base B		1	4	Allen Key		1

How To Assemble:

Step -1 Unwrap the box and place table top (point A) Reverse on the floor

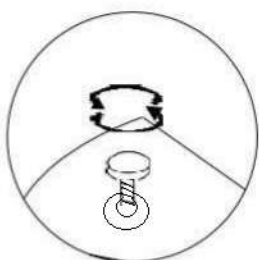
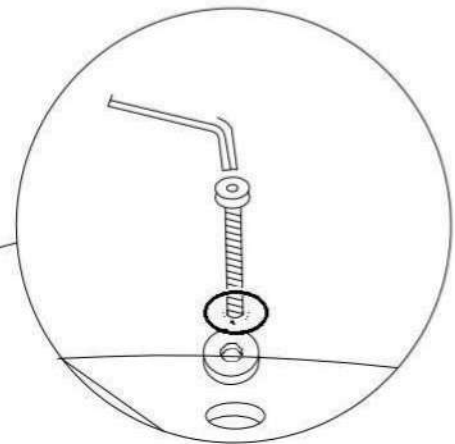
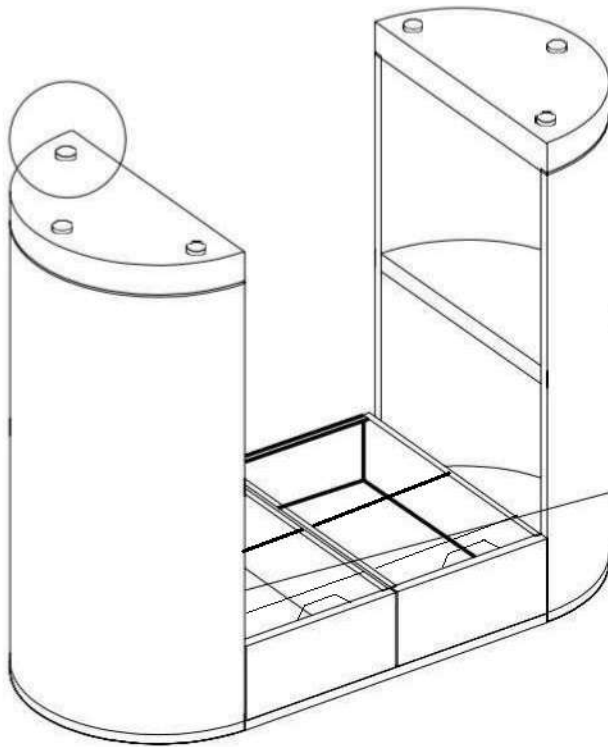


Step:-2 Unwrap the leg (base A & base B) and fix it using bolts and allen wrench shown in images

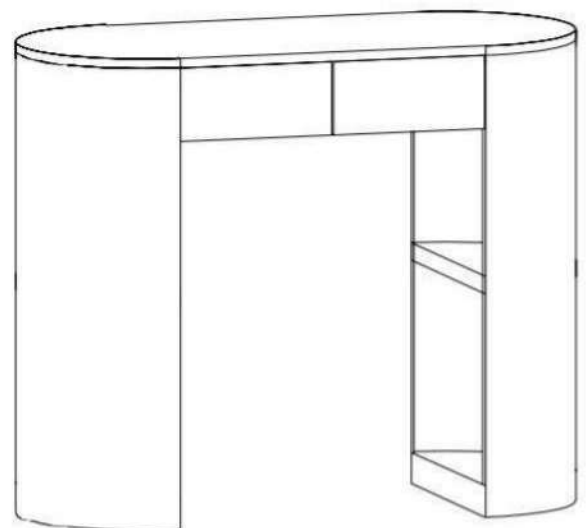


Assembly Instructions Item No.92541

Step-3 Tight bolts with lock washer and flat washer using the allen wrench.



Tip for leveling of product: When the product rests on an uneven floor surface it adjusting to be unbalanced. to aid in leveling, try adjusting the levelers located on the bottom of each foot.



After the complete fixing invert the table of complete the assembly.