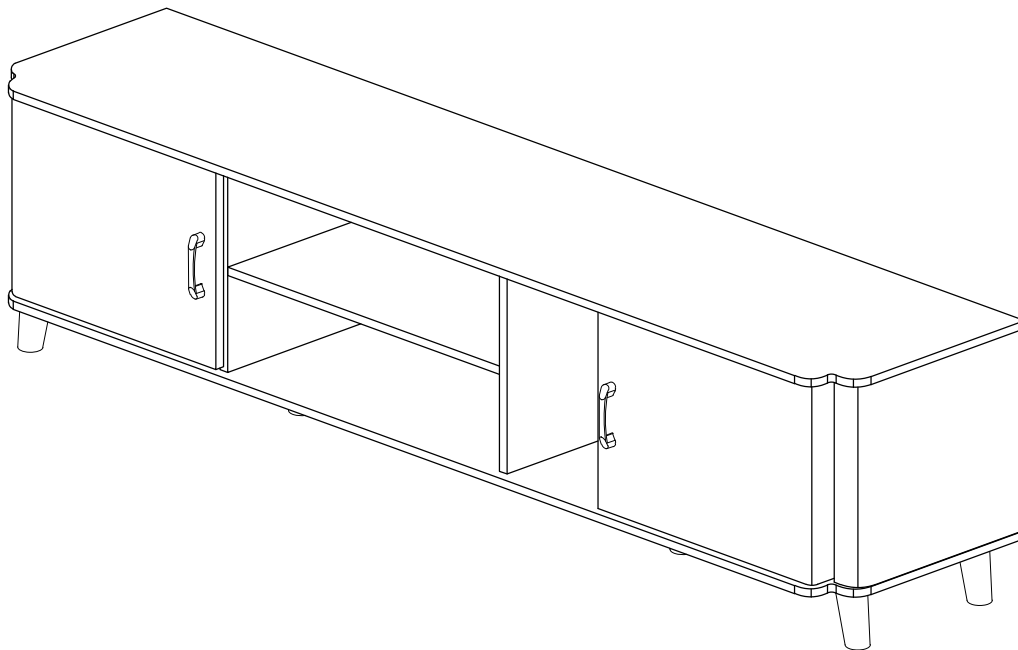


TV Console

SKU WHIF2623



ASSEMBLY INSTRUCTIONS



60 min. assembly

2 person

*The estimated assembly time may vary depending on the individual.

Hey, there

Now is assembly time!

Deeeeep breathe.... and again....
Tools ready,
Easy peasy!

Estimated



60 min. assembly
2 person

Tools Required

- Allen Wrench(included)
- Phillips screwdriver(not included)

important: *Cautious when you use power tools*

Need Help?

Call us at +1 909 548 6688
Email customerservice@luxenhome.com
Submit a ticket on www.luxenhome.com/help

Thank you for purchasing this LuxenHome product. This product has been manufactured with the highest standards of safety and quality.

PLEASE READ ALL INSTRUCTIONS CAREFULLY BEFORE ASSEMBLY.

Unpack all parts from the packaging inside the carton to ensure there are no missing or damaged parts. Lay out all the parts on a clean, flat, and soft surface to prevent scratches. Refer to the steps provided as assembling guide.

Do not attempt to assemble or use the product if any parts are missing or damaged.

REMINDERS

SAFE USAGE IS KEY

Your well-being is our top priority when you use our product. Please prioritize your safety by diligently following the assembly guidelines and inspecting the product carefully both when it arrives and before each use.

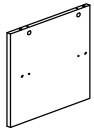
Please be aware that LuxenHome and Winsome House, Inc. cannot be held liable for any injuries or fatalities that occur due to not adhering to the provided instructions or misuse of the product.

DO NOT MODIFY

Our products undergo rigorous testing to ensure they meet established safety standards before being released for sale. Altering the product in any way can lead to serious safety concerns, for which LuxenHome cannot assume responsibility.

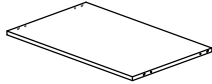
What's in the box

Parts



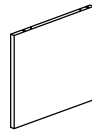
① X 1

Center panel - L



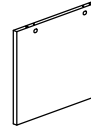
② X 1

Middle panel



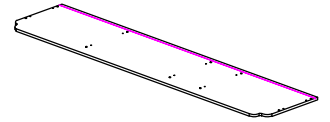
③ X 1

Center panel



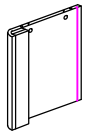
④ X 1

Center panel - R



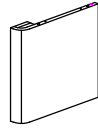
⑤ X 1

Bottom panel



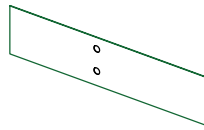
⑥ X 1

Side panel - L



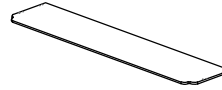
⑦ X 1

Side panel - R



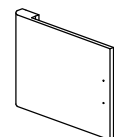
⑧ X 1

Back panel



⑨ X 1

Top panel



⑩ X 2

Door panel - L/R

Hardware & Accessory



① A1 X 14 (+2)

Minifix cam



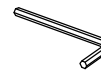
② A2 X 14 (+2)

Minifix bolt



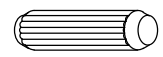
③ A3 X 14 (+2)

Minifix cap



④ A5 X 1

Allen key



⑤ B X 24 (+3)

Wood dowel
M8 x 25mm



⑥ C X 10 (+2)

Cb screw
M4 x 38mm



⑦ D X 54 (+5)

Cb screw
M3.5 x 16mm



⑧ G X 4

PVC corner
L bracket



⑨ H X 4

Hinges 7/8



⑩ J1 X 2

Tad 23-96
PVC handle



⑪ J2 X 4

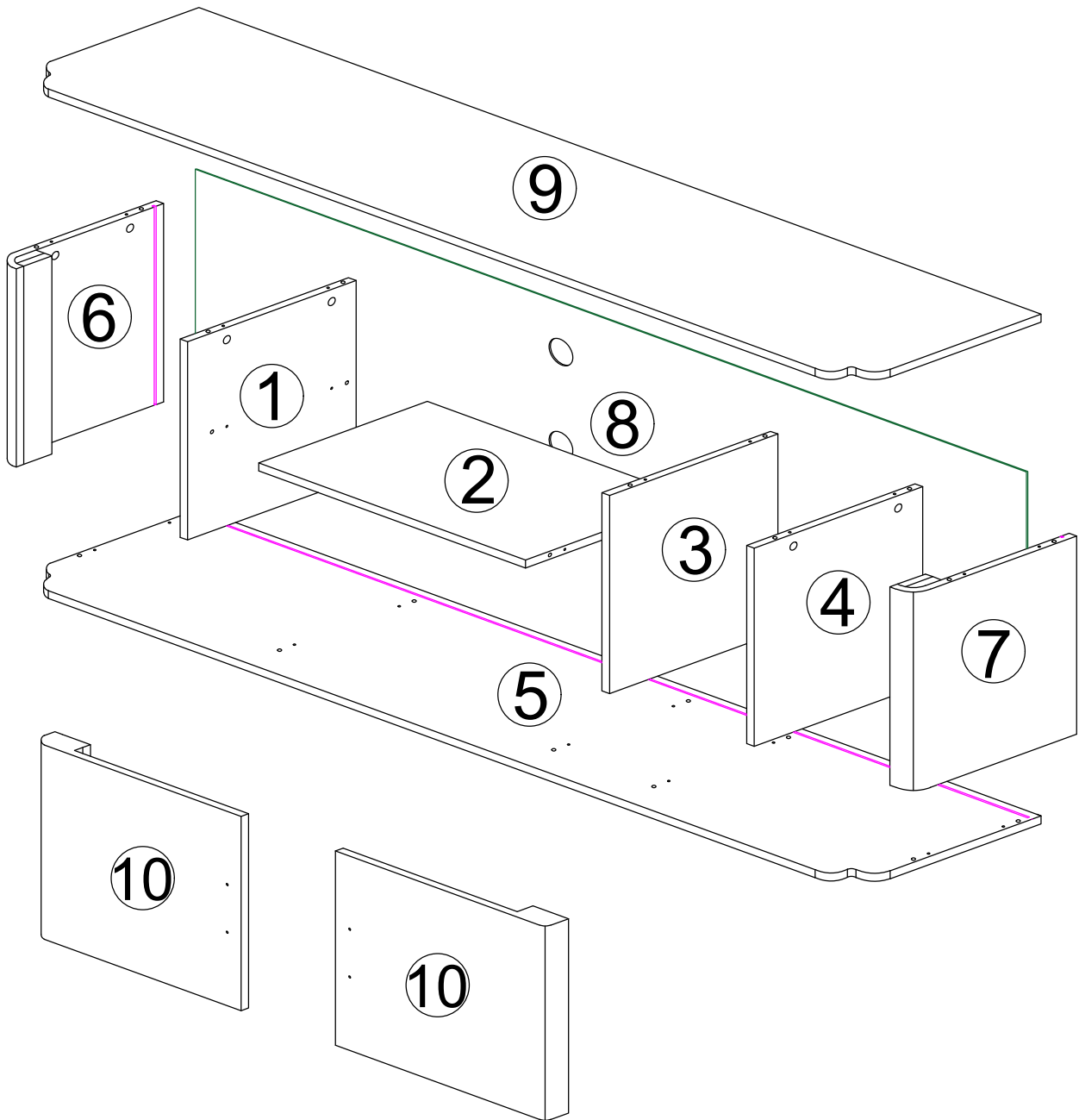
Cb screw
M4 x 28mm



⑫ L X 6

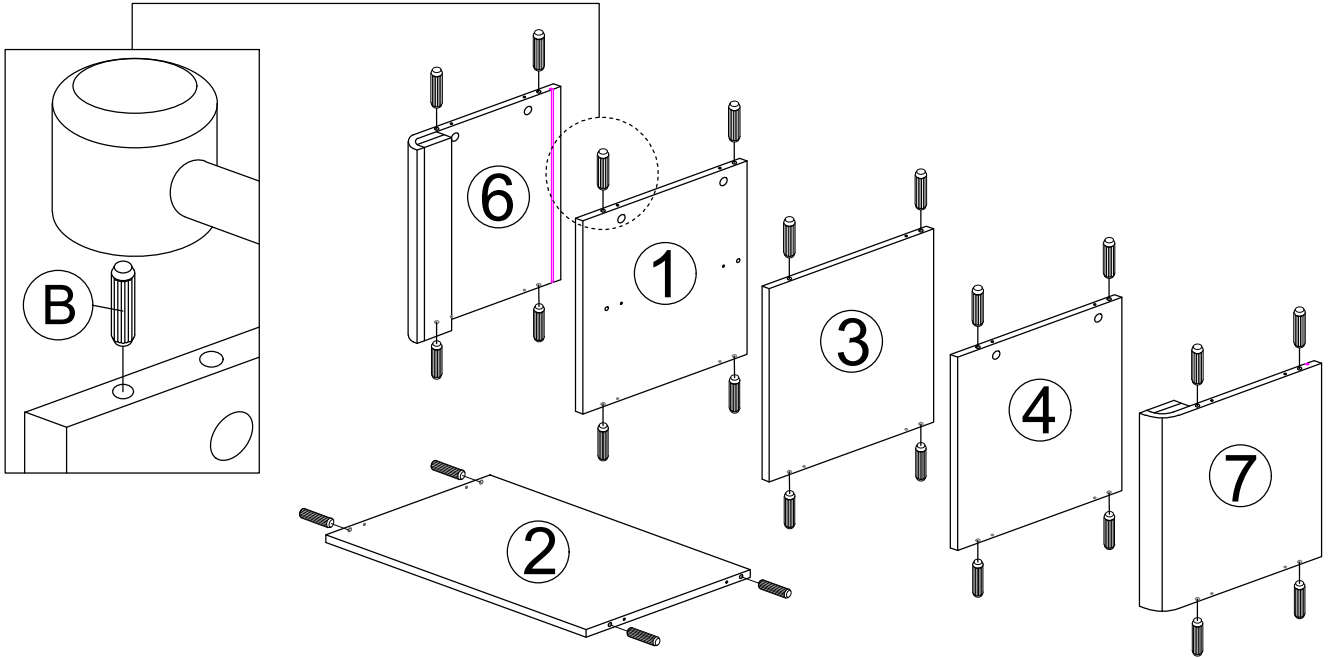
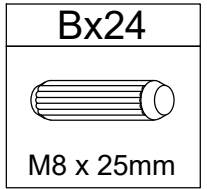
120mm round
tapper PVC leg

Assembly



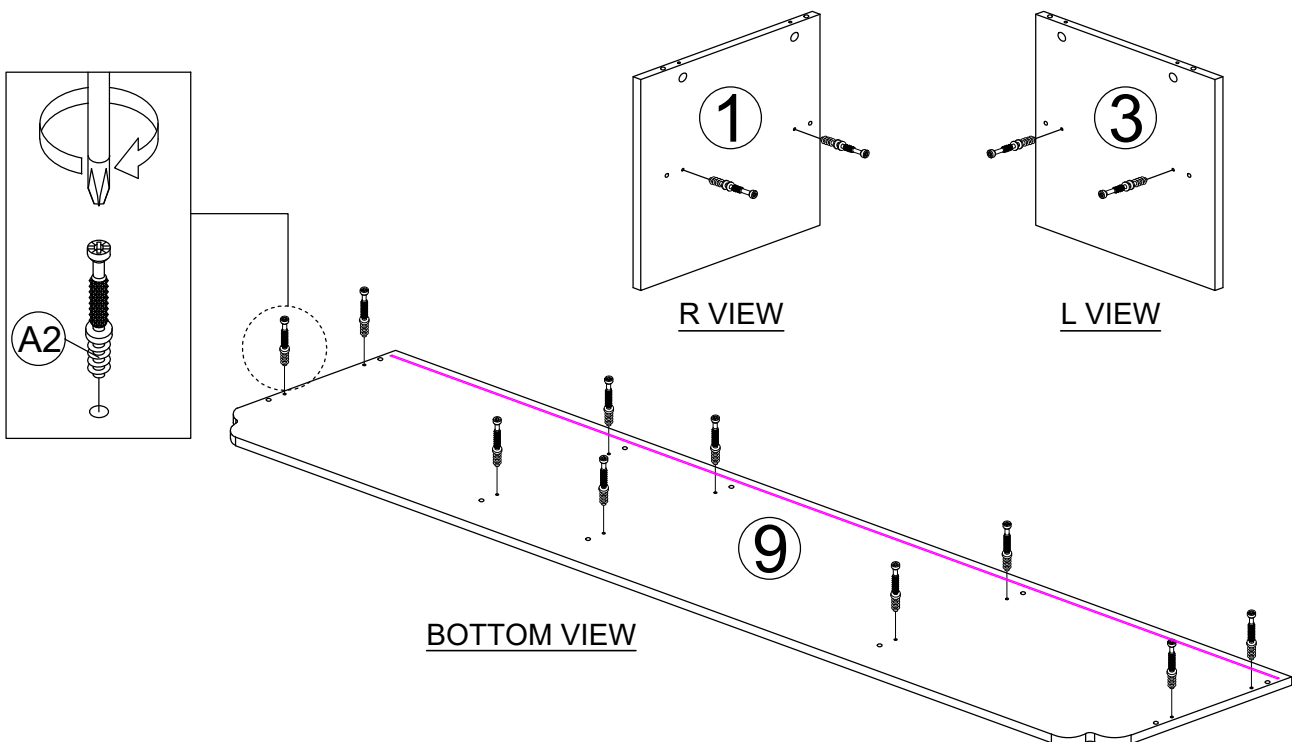
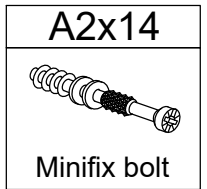
Step 1

Insert hardware (B) into panel (1,2,3,4,6 & 7).



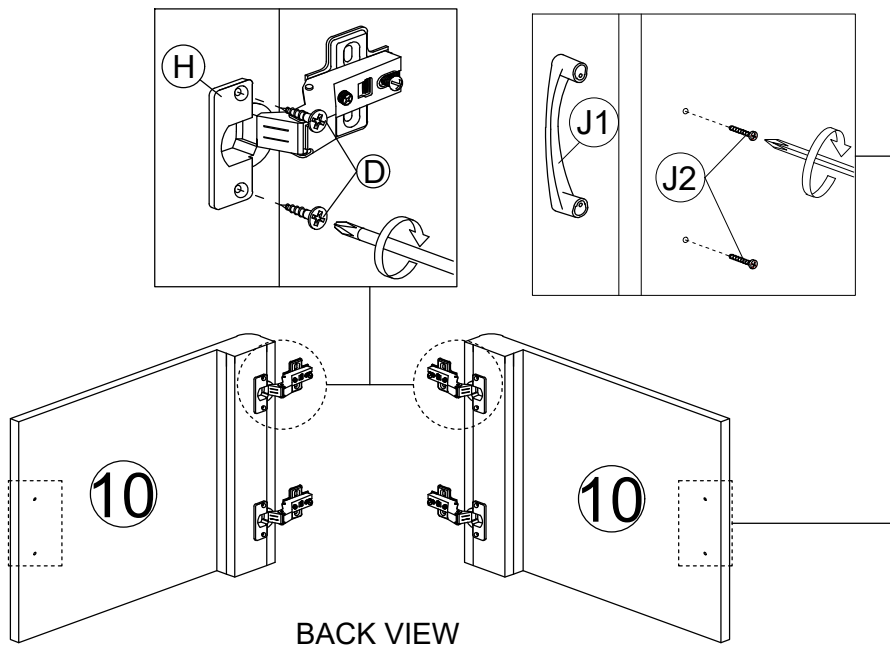
Step 2

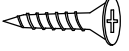
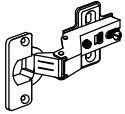

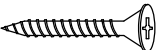
Install and tighten hardware (A2) onto panel (1,3 & 9).



Step 3

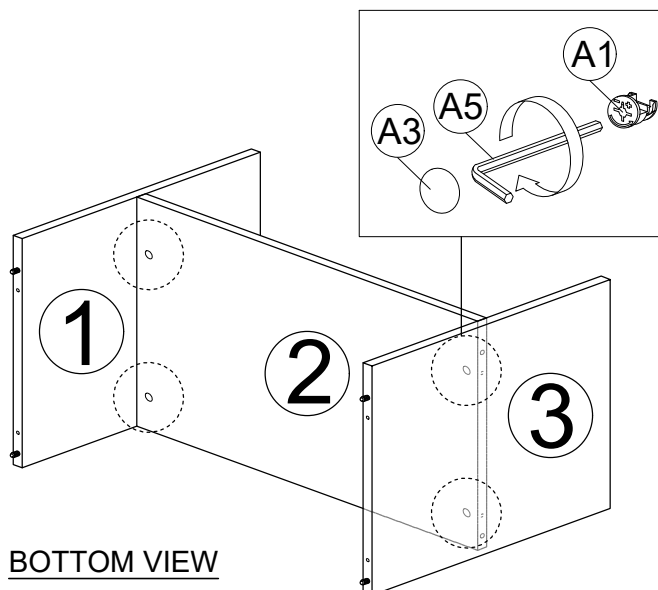
Connect the hardware (H) to panel (10) by using hardware (D),
Then fix hardware (J1) onto panel (10) by using hardware (J2).

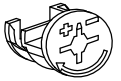
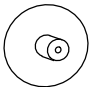
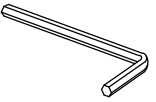


Dx8

M3.5 x 16mm
Hx4

J1x2

J2x4

M4 x 28mm

Step 4


Connect the panel (1 & 3) to panel (2) by using hardware (A1 & A5).
Applied (A3) to all (A1).

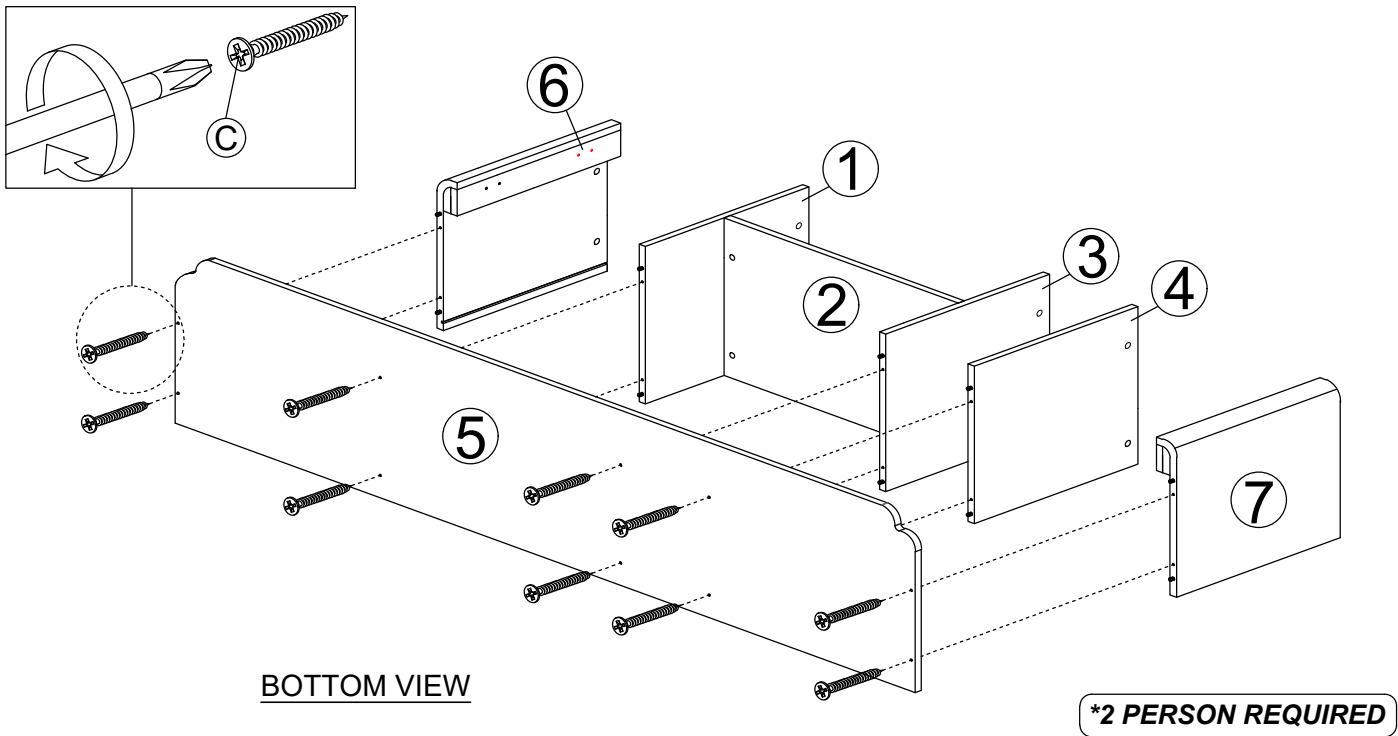


A2x4

A3x4

A5x1


Step 5


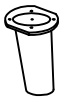
Connect the panel (5) to the assembled section panel (1,3,4,6 & 7) with hardware (C).

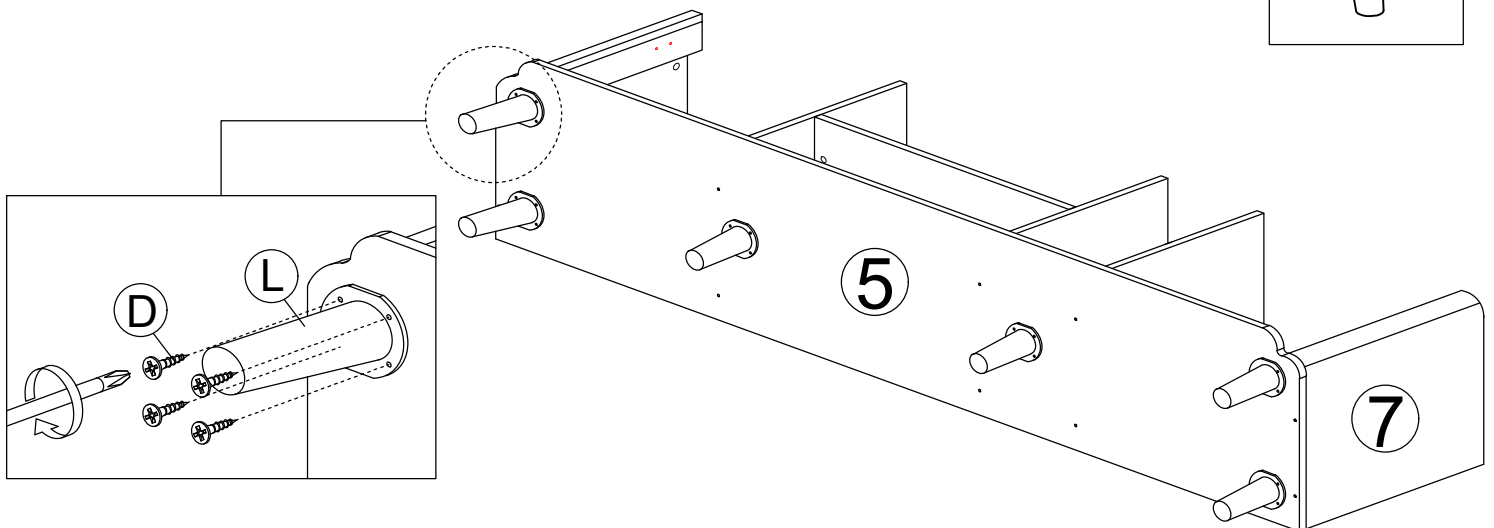
Cx10

M4 x 45mm



Step 6

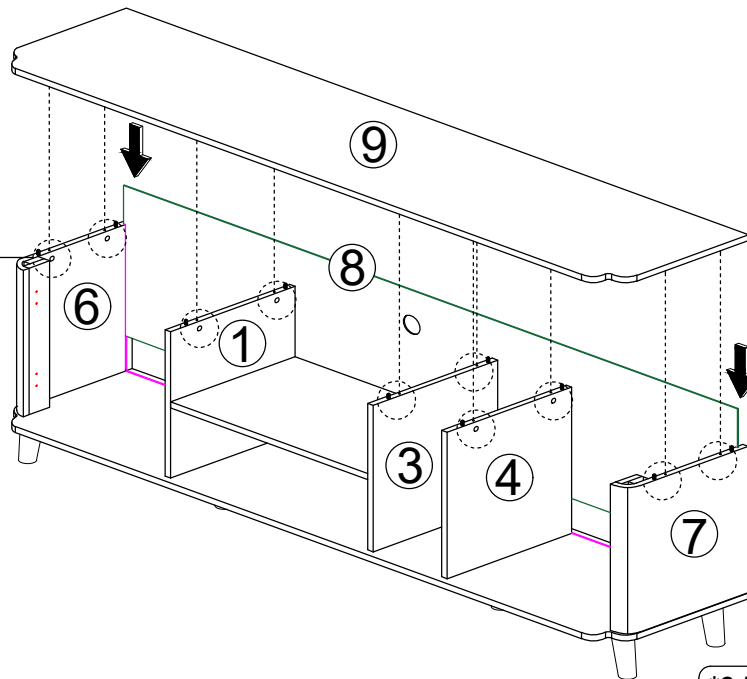
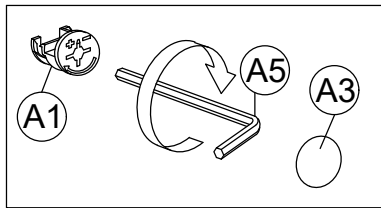
Connect hardware (L) onto bottom side of panel (5) by using hardware (D).

Dx24

M3.5 x 16mm
Lx6




Step 7

Slot in panel (8) in between panel (6 & 7). Then, connect the panel (9) to the assembled section panel (1,3,4,6 & 7) using hardware (A1 & A5) and applied (A3) to all (A1).



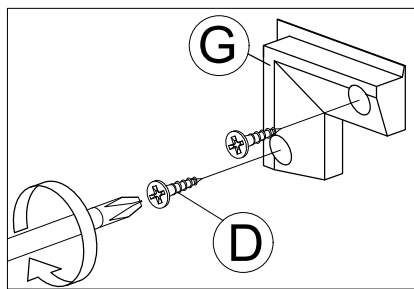
SLOT IN BACK PANEL

***2 PERSON REQUIRED**

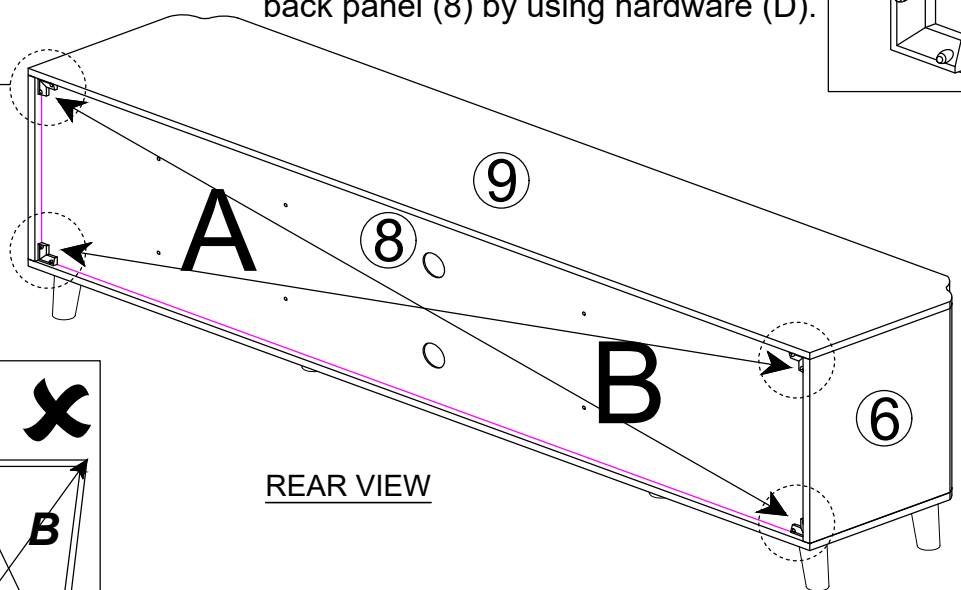
A2x10
A3x10
A5x1

Step 8

Please make sure the left and right doors are the same level and the backboard is right Angle before installing hardware (G), MUST install hardware (G) to strengthen product stability.



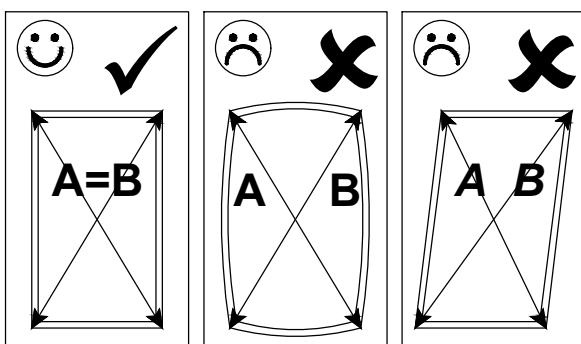
Screw in hardware (G) onto back panel (8) by using hardware (D).



REAR VIEW

***2 PERSON REQUIRED**

Dx8
Minifix bolt
Gx4



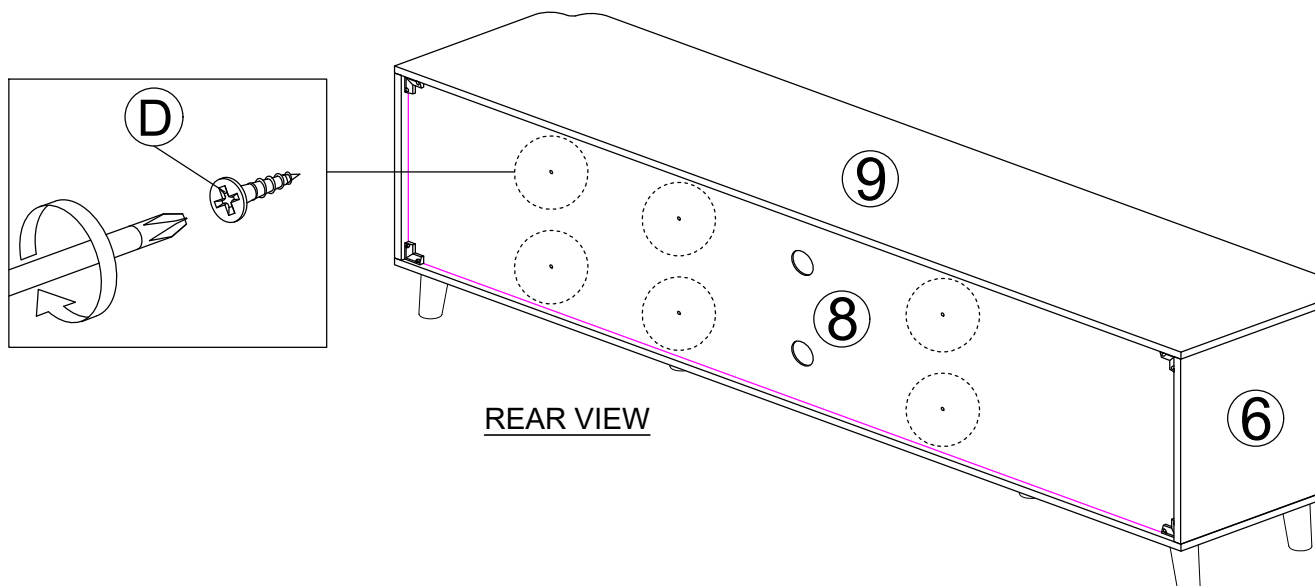
Step 9

Screw in hardware (D) into back panel (8).

Dx6



M3.5 x 16mm



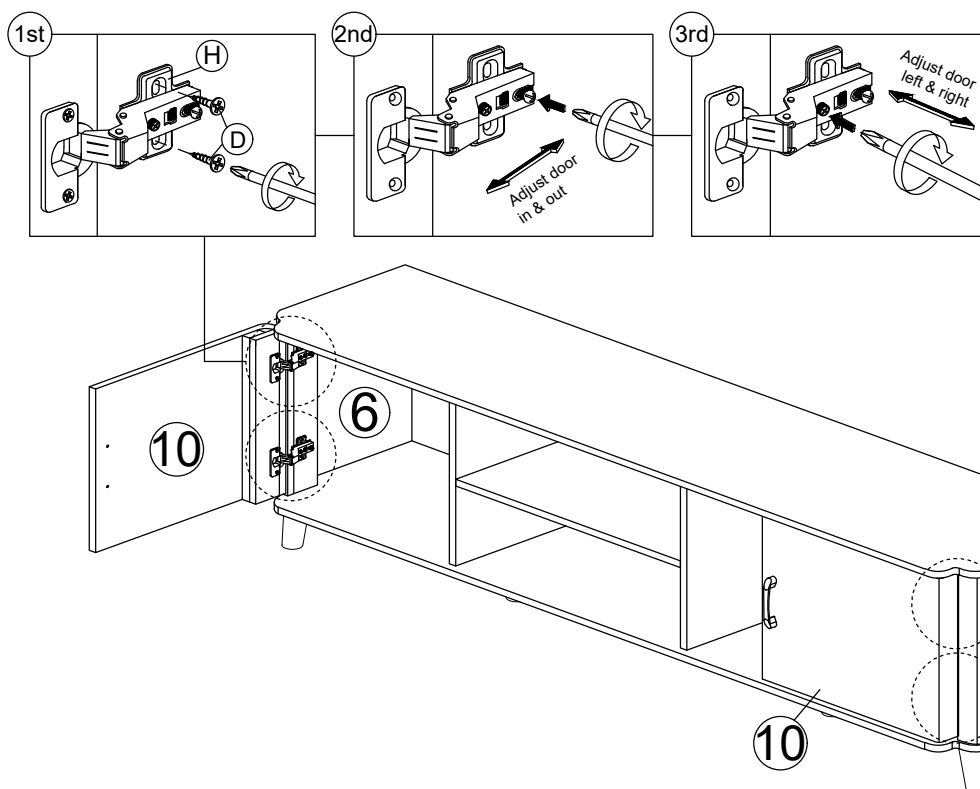
Step 10

Connect hardware (H) to panel (6 & 7) by using hardware (D).

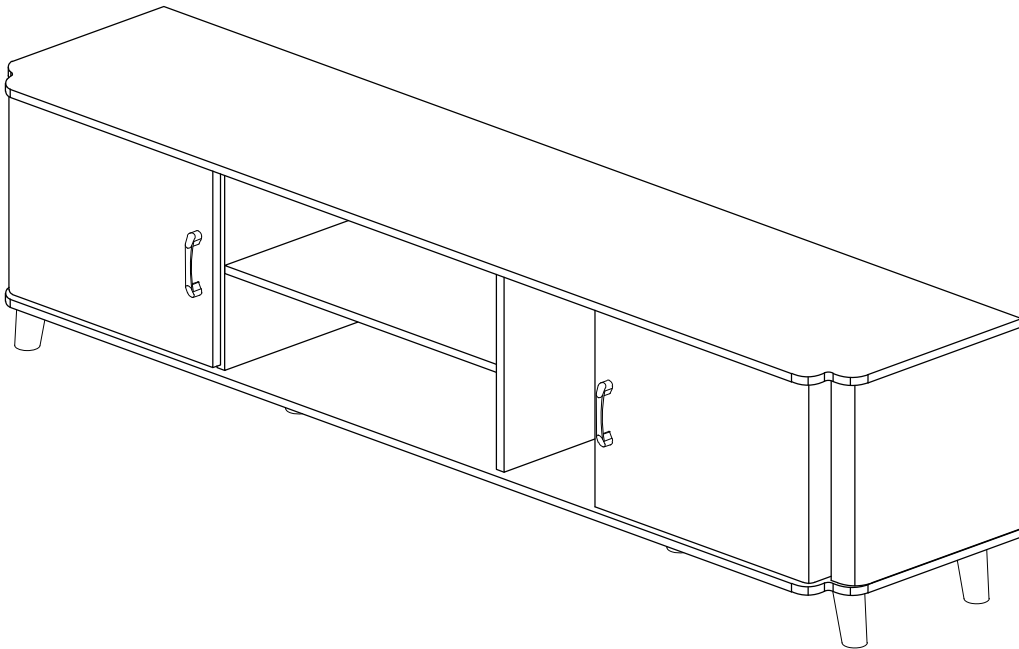
Dx8



M3.5 x 16mm



VOILA!
Now enjoy.



Warning

DO NOT stand or sit on the cabinet as this may damage the product and cause serious bodily injury.

Something not right?

We are always here to help.

We make mistakes like every human does.

Though we always strive to provide the best possible products at competitive prices and the best service in the industry, it's not possible to completely eliminate mistakes. If you experience any dissatisfaction, feel free to contact us immediately. Our in-house customer care team will respond ASAP.



customerservice@luxenhome.com
Get response within 24 hrs



909.548.6688
Mon-Fri 9am-5pm PST/PDT



www.luxenhome.com/help
Submit a ticket on our website

Things to do to expedite the process

- Have your order# ready
- Take photos/videos to help us better identify the issues
- DO NOT throw away the packaging

Happy with our product?

Leave us a review

It really help us as a small business

- Find the product you purchased on our website (tip: search by SKU) and leave us a review.
- Alternatively, you can always return to the marketplace where you purchased it and leave a review there.

Share with others

Our customers look for REAL stuff



- Follow us on IG @luxen.home
- Share your #liveluxen moments



**Please save this manual
for future reference.**