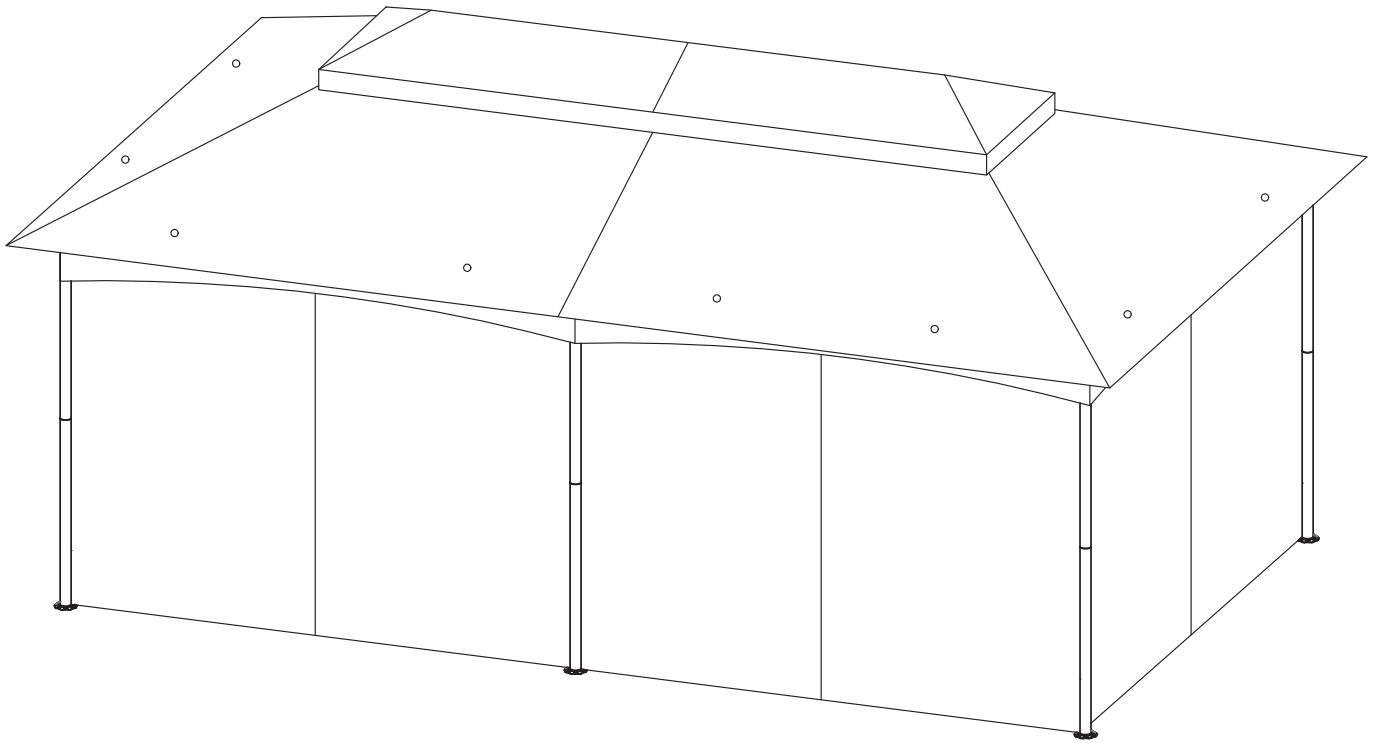




HOTEEL

INSTRUCTION



12*20FT GAZEBO

We appreciate the trust and confidence you have placed in HOTEEL through the purchase of our product. We strive to continually create quality products designed to enhance your home. Visit us online to see our full line of products available for your home improvement needs.
Thank you for choosing HOTEEL.

Making The Best Outdoor Furniture For You

Made in China

Before Starting Assembly:

- Read all instructions thoroughly.
- Open and check boxes for parts list.
- If any part is broken or missing call or email customer service.
- Keep all packaging until you are satisfied with your product.
- Return is not accepted without original packaging.
- Make sure you have ample space for assembly.
- Three or more people are required.

Safety Information

- Tighten each bolt firmly and properly. Do not completely tighten screws until all screws are started.
- Some parts may contain sharp edges. **Wearing protective gloves are necessary.**
- Children under the age of 16 should not be engaged in the assembly, removal or disassembly of the product. Children under the age of 10 should be supervised by a competent adult while using this furniture.
- Please keep children out of the assembly area during assembly.
- Never use this product as a support. Do not shake, lean, or climb on the product at any time.
- Do not erect the structure in heavy winds or inclement weather.
- Do not leave up this unit for extended periods of time, as it is not a permanent structure or design to withstand sustained wind or rain. It is a temporary shelter that shields you from sunlight and rain.
- The screens also block flying insects.
- Do not use candles, matches, or any open flame near the tent.

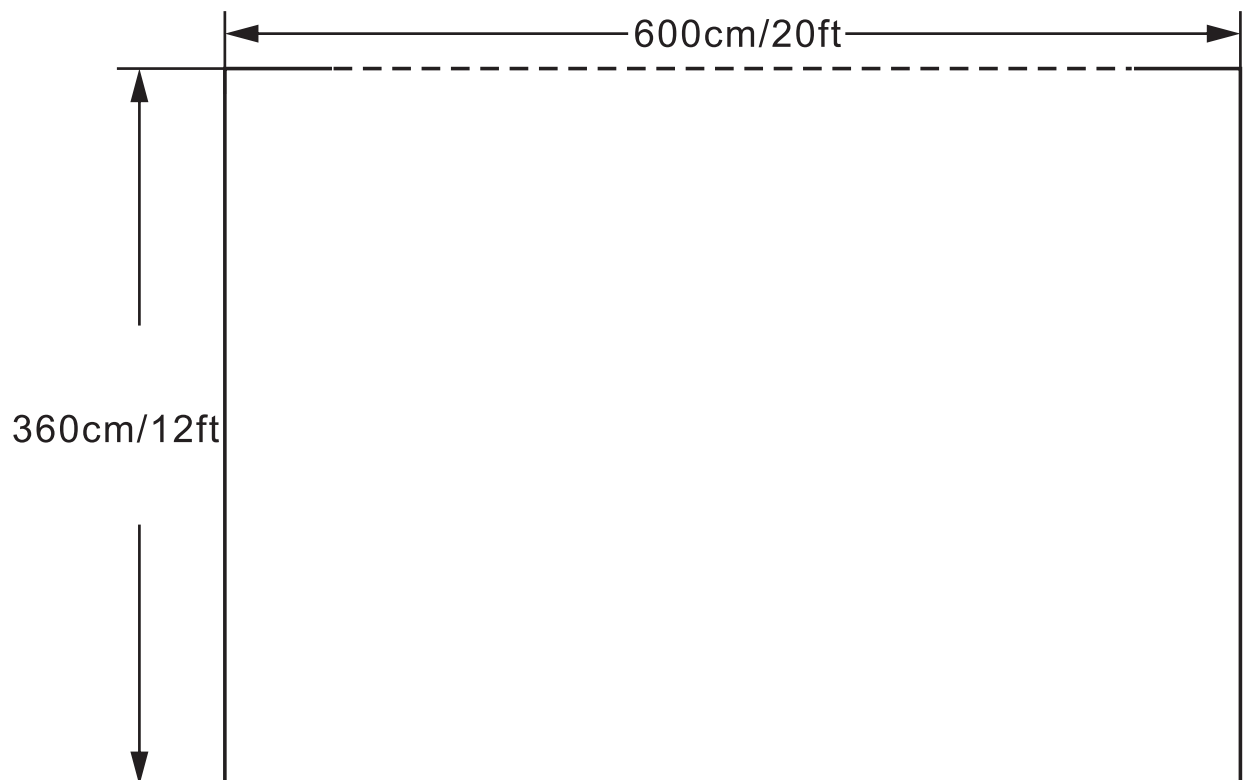


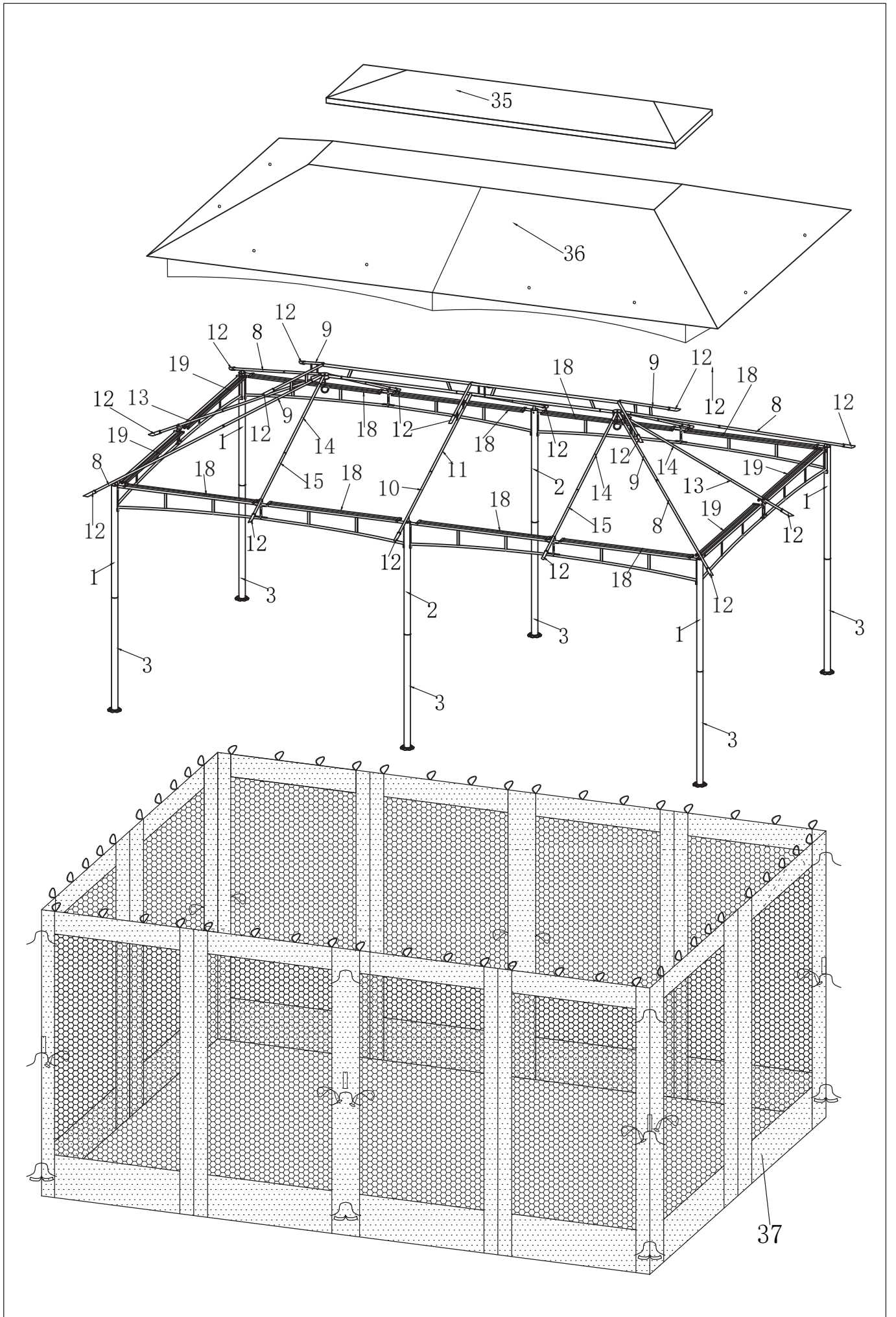
DANGER: Do not allow children to play with plastic wraps or small parts to prevent potential choking hazard.

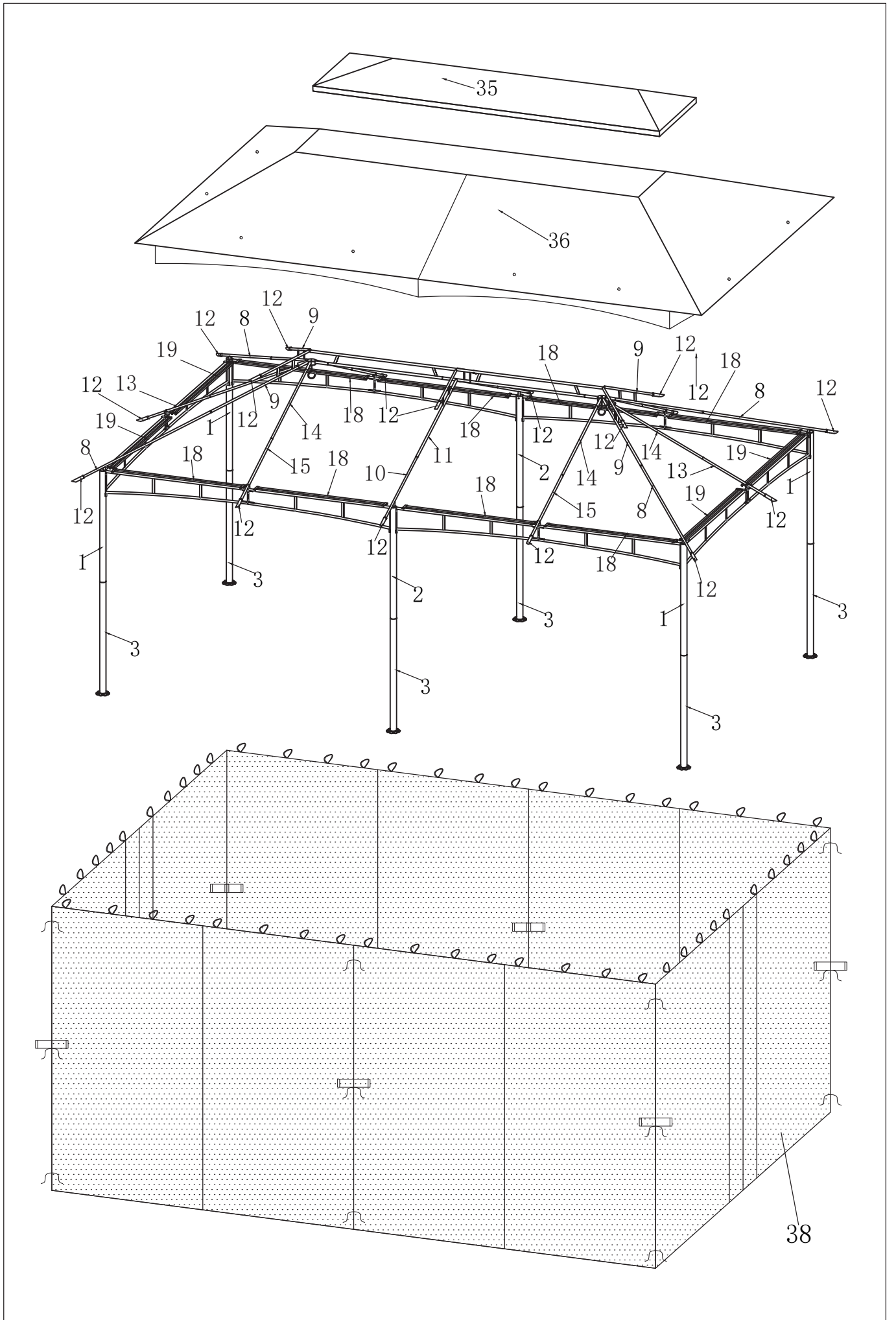


CAUTION: Read all the instructions before assembly. Failure to do so may result in faulty assembly and potential injury!

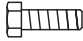
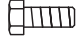





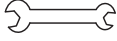


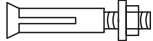

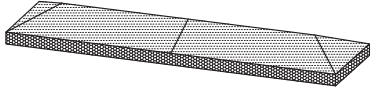
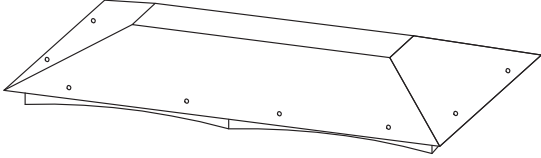
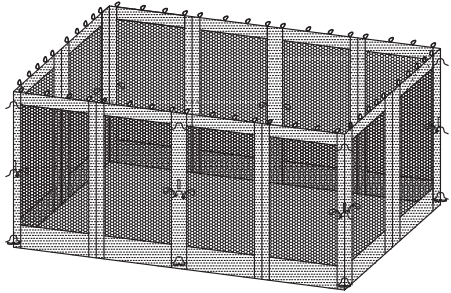
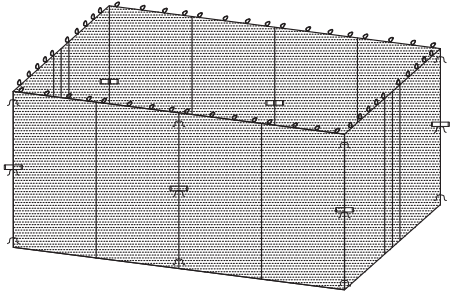
Prepare the work area.







NO.	Quantity	Description	Reference Image
1	4	Top Pole (for the Four Corners)	
2	2	Top Pole (for the Middle of the 20FT Side)	
3	6	Bottom Pole	
4	2	Beam	
5	2	Beam	
6	4	Beam	
7	4	Beam	
8	4	Corner Roof Bar	
9	4	Corner Roof Bar	
10	2	Roof Bar	
11	2	Roof Bar	
12	18	Plastic Adjusting Lever	
13	2	Roof Bar	
14	6	Roof Bar	
15	4	Roof Bar	
16	1	Ejector Pin	
17	1	Ejector Pin	
18	8	Looping Rod (for the 20FT Side)	
19	4	Looping Rod (for the 12FT Side)	
20	1	Ejector Pin Connector	
21	2	Top Connector	
22	6	Beam Connector	

NO.	Quantity	Description	Reference Image
23	6	Screws	 M6X35
24	24	Screws	 M6X30
25	12	Screws	 M6X15
26	12	Screws	 M6X15
27	42	Nut	 M6
28	42	Screw Cap(plastic)	
29	42	Screw Cap(plastic)	
30	2	Wrench	
31	12	Tent Leg	
32	104	Hook	
33	6	Expansion Screws	 M8X50
34	2	Lamp hook	
35	1	Little Top Cloth	
36	1	Large Top Cloth	
37	1	Mosquito Side Wall	
38	1	Side Curtain	

1



1# X 2



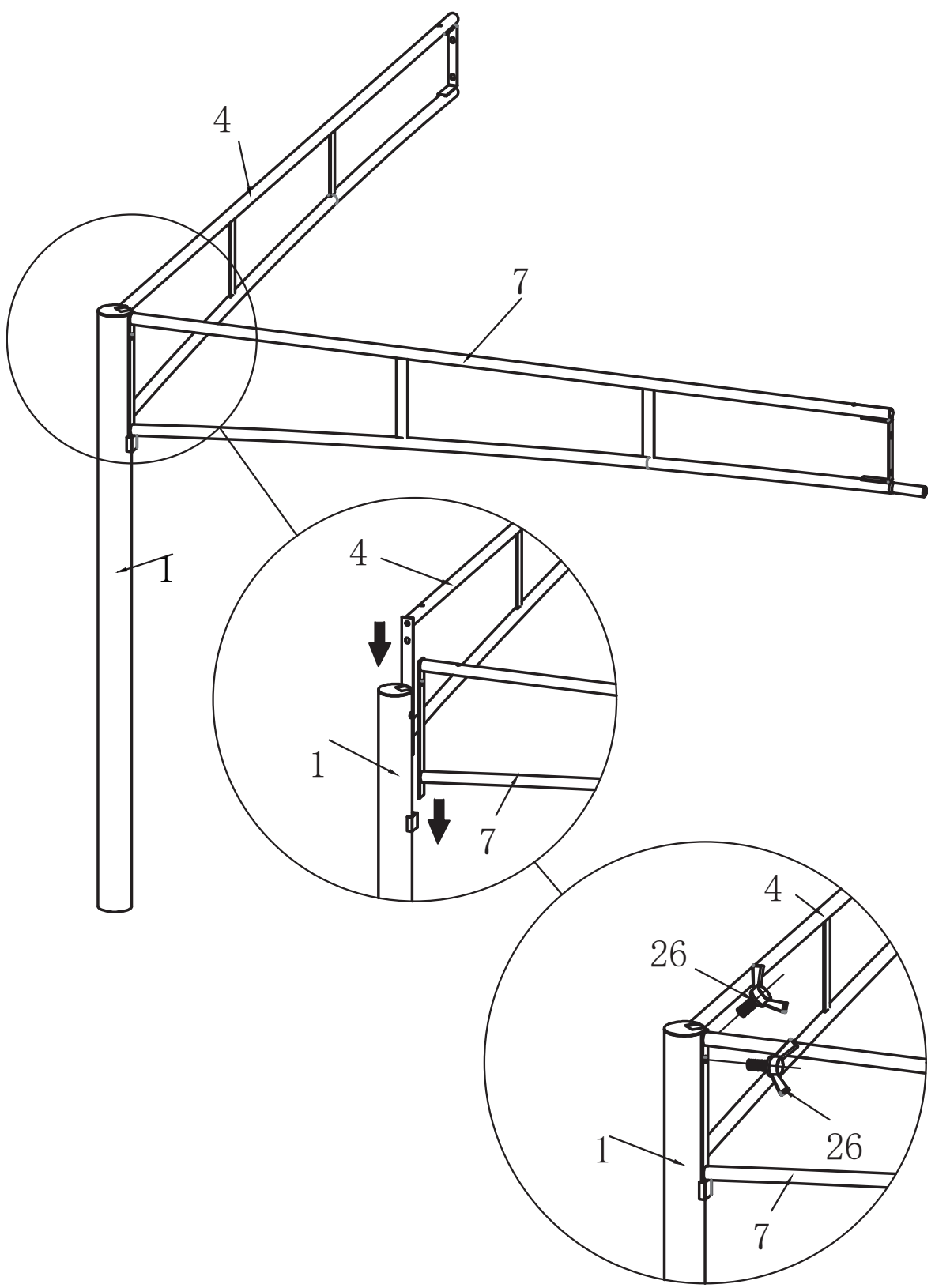
4# X 2



7# X 2



26# X 4



Set up Beam 4 and Beam 7 with Top Foot Pole 1 using screw 26 as shown in diagram.(NOTE:Assemble in the same direction as the picture)

2



1# X 2



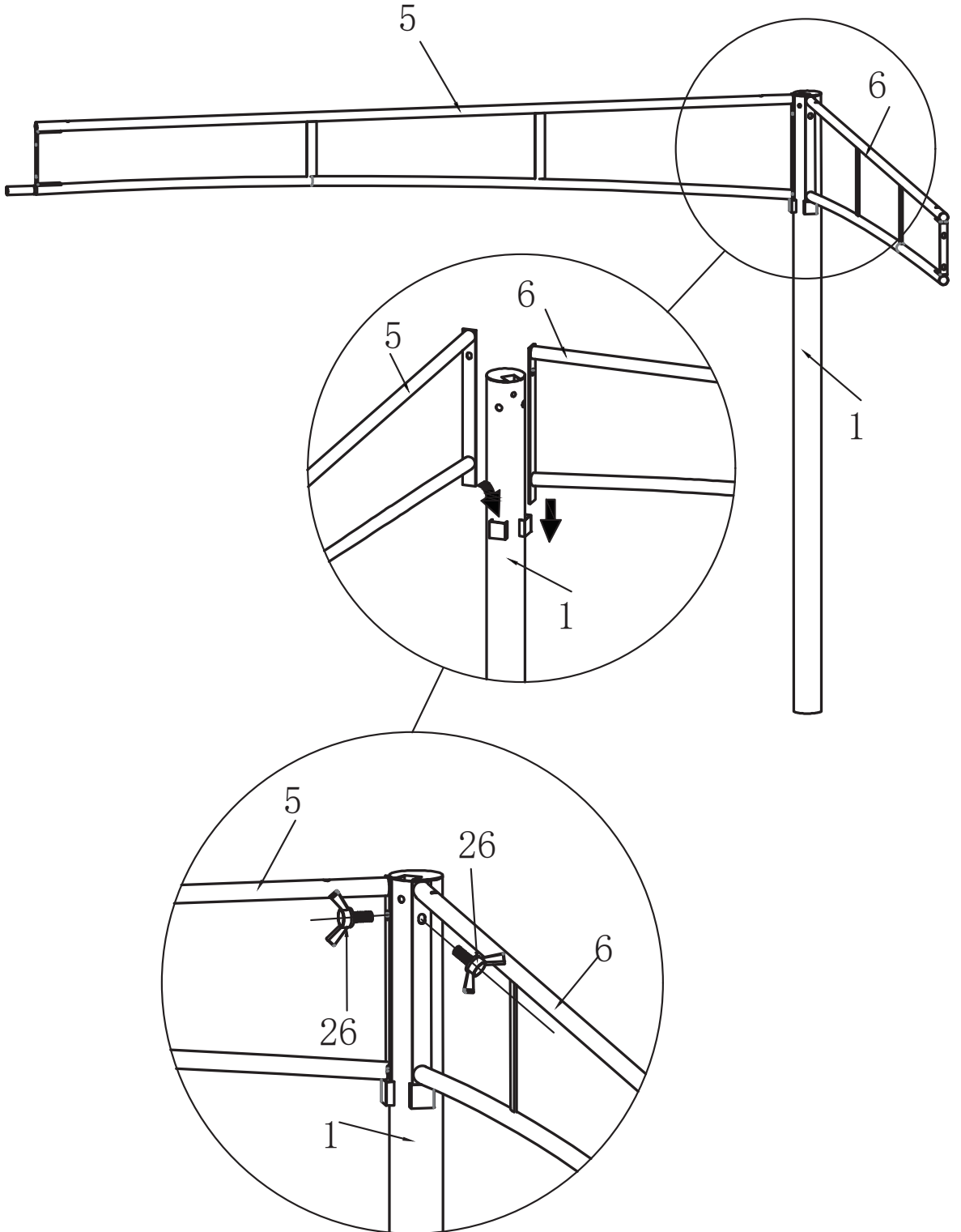
5# X 2



6# X 2



26# X 4



Set up Beam 5 and Beam 6 with Top Foot Pole 1 using screw 26 as shown in diagram.(NOTE:Assemble in the same direction as the picture)

3



2# X 2



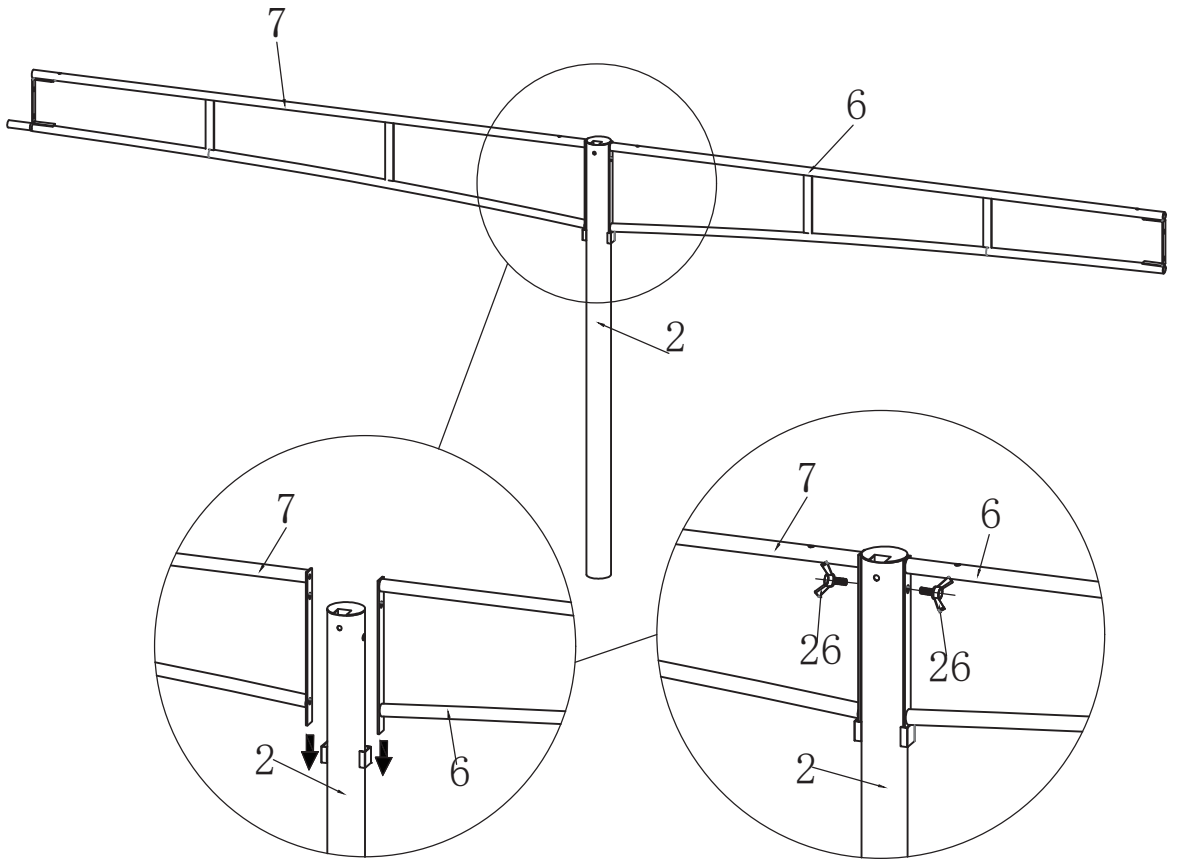
6# X 2



7# X 2



26# X 4



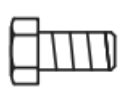
Set up Beam 6 and Beam 7 with Top Foot Pole 2 using screw 26 as shown in diagram. (NOTE: Assemble in the same direction as the picture. Facing the holes in the Top Foot Pole 2, the beam from left to right are Beam 7 and Beam 6.)

4

Affix the Beam Connector 22 to Beam 6 and Beam 7 using Screw 25, Nut 27 and Screw Cap 28,29 as shown in diagram.



22# X 6



M6X15

25# X 12



M6

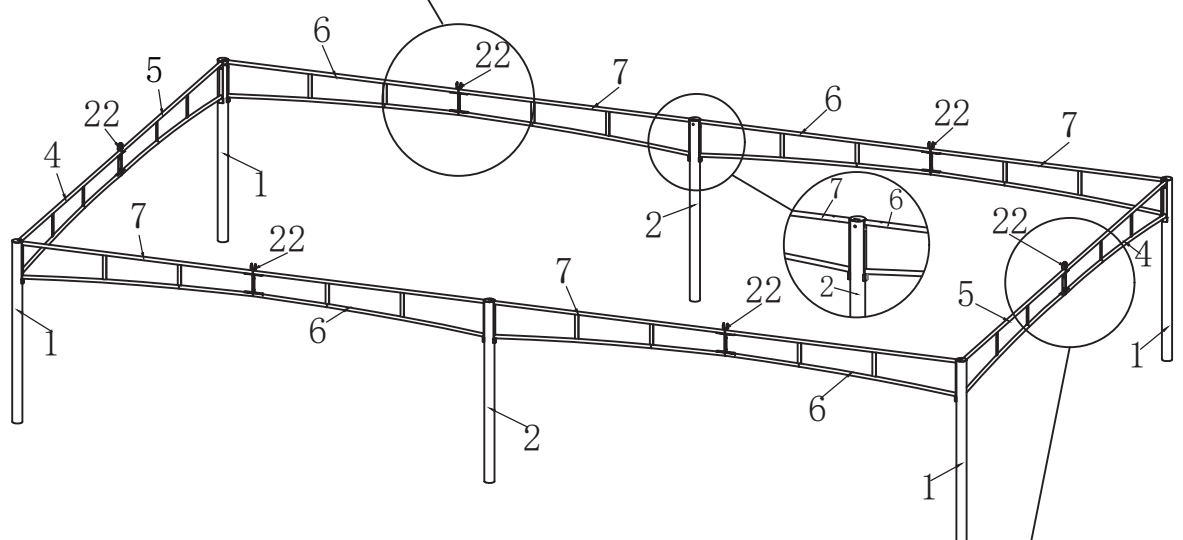
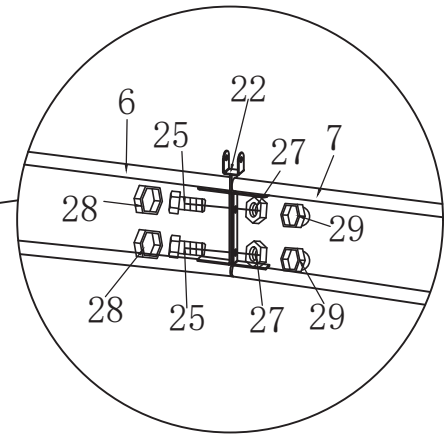
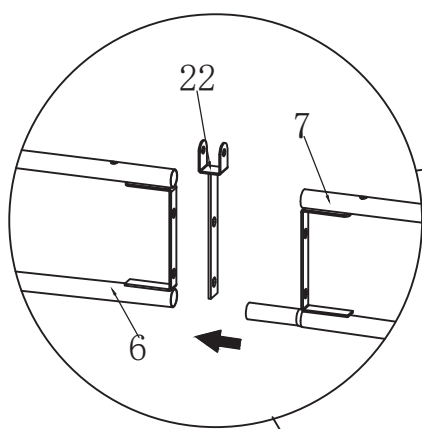
27# X 12



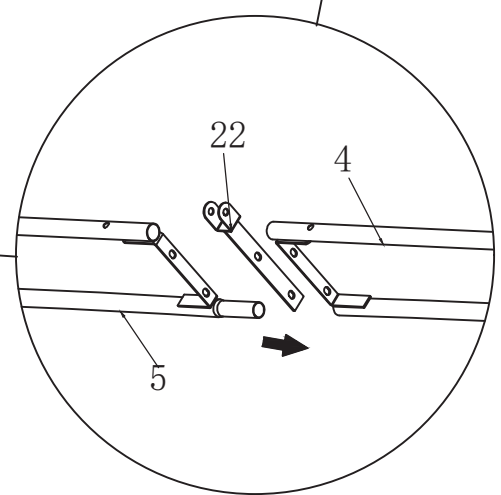
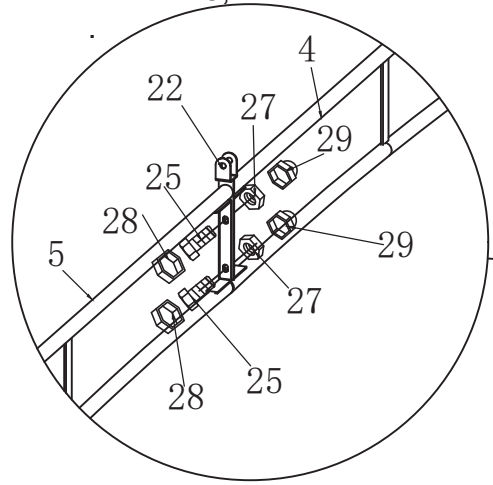
28# X 12



29# X 12

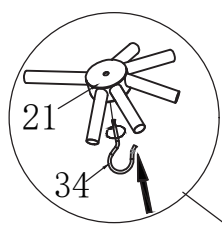
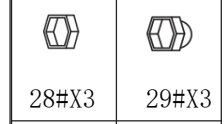
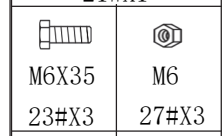
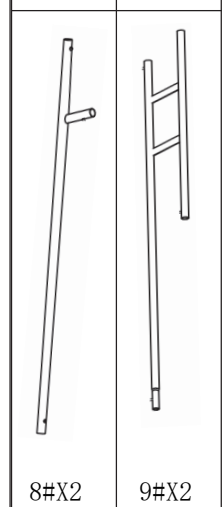
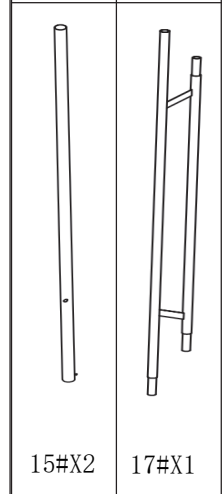
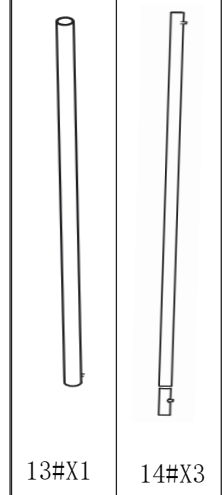


Affix the Beam Connector 22 to Beam 4 and Beam 5 using Screw 25, Nut 27 and Screw Cap 28,29 as shown in diagram



NOTE: Assemble in the same direction as the picture. The hole in Top Foot Pole 2 should face inside the frame.)

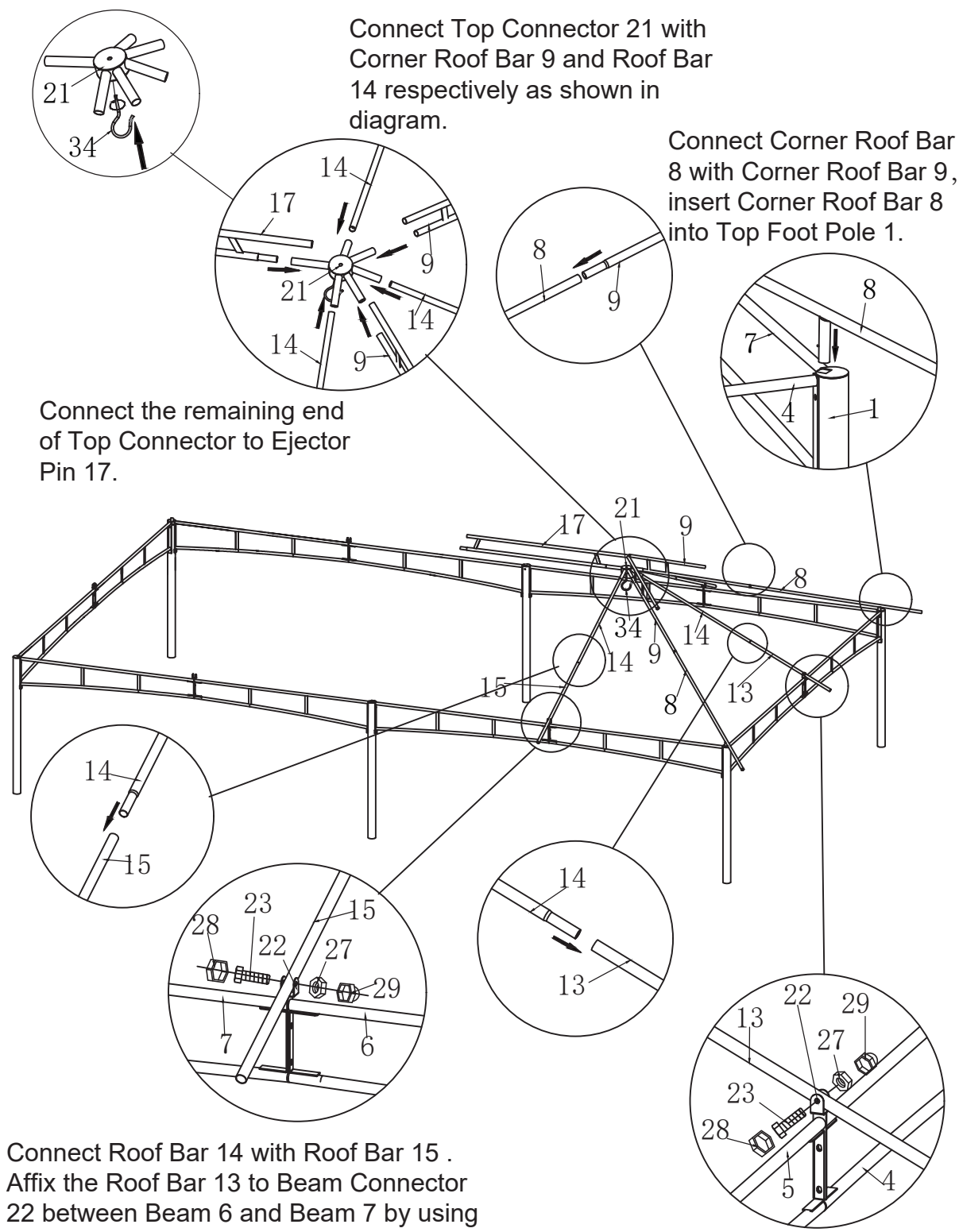
5 Insert Lamp Hook 2 into the Top Connector 21.



Connect Top Connector 21 with Corner Roof Bar 9 and Roof Bar 14 respectively as shown in diagram.

Connect Corner Roof Bar 8 with Corner Roof Bar 9, insert Corner Roof Bar 8 into Top Foot Pole 1.

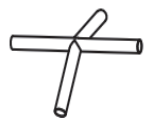
Connect the remaining end of Top Connector to Ejector Pin 17.



Connect Roof Bar 14 with Roof Bar 15 . Affix the Roof Bar 13 to Beam Connector 22 between Beam 6 and Beam 7 by using Screw 23,Nut 27 and Screw Cap 28,29 as shown in diagram.

Connect Roof Bar 14 with Roof Bar 13 . Affix the Roof Bar 13 to Beam Connector 22 between Beam 4 and Beam 5 by using Screw 23,Nut 27 and Screw Cap 28,29 as shown in diagram.

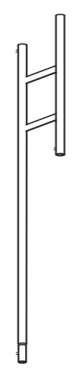
6



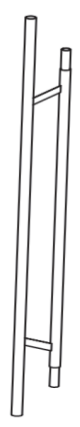
20#X1



10#X2



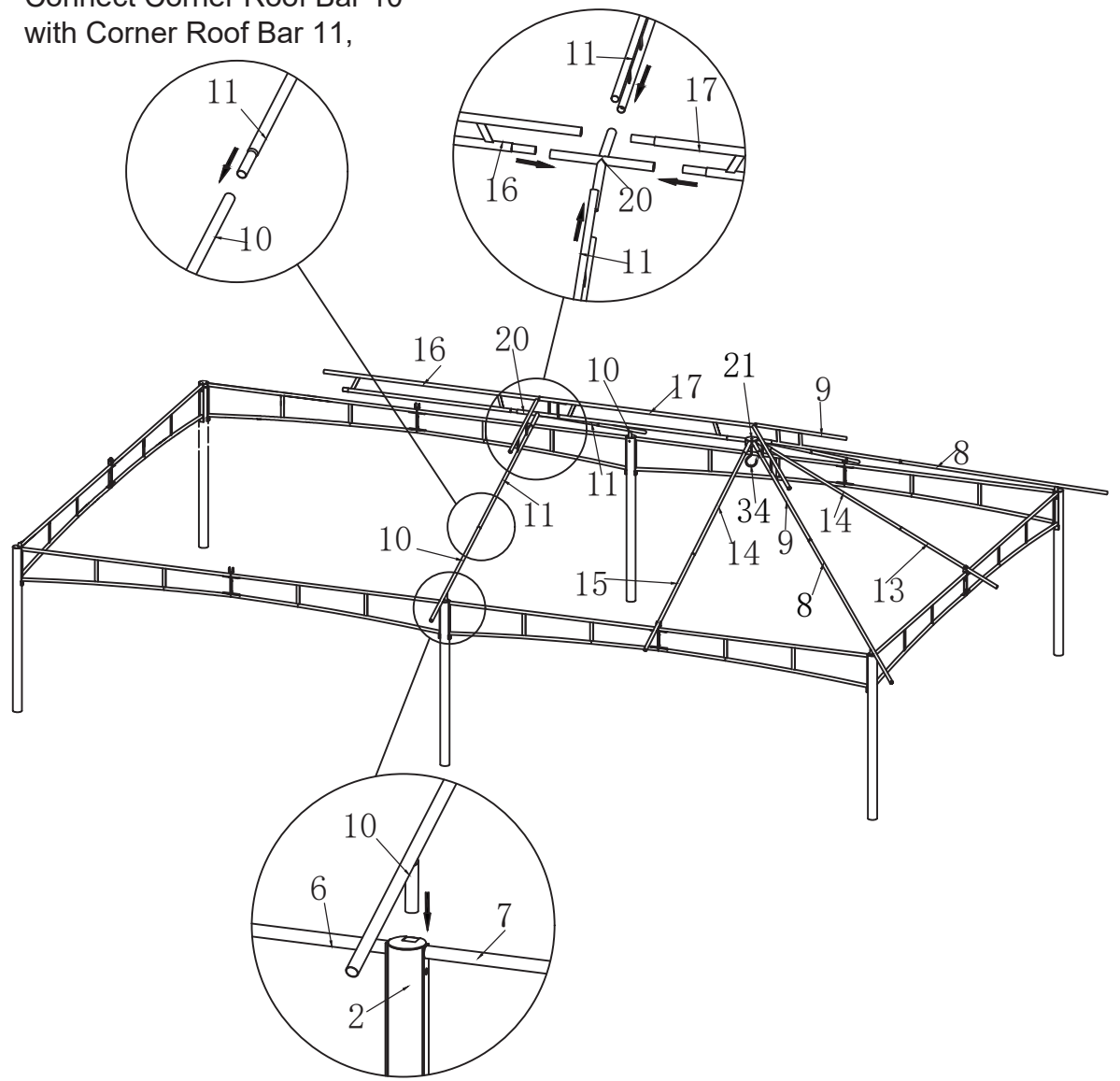
11#X2



16#X1

Use Ejector Pin Connector 20 to link Ejector Pin 16 , Ejector Pin 17 and Corner Roof Bar 11 as shown in diagram.

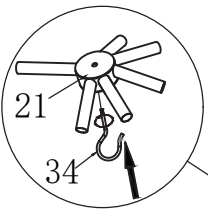
Connect Corner Roof Bar 10 with Corner Roof Bar 11,



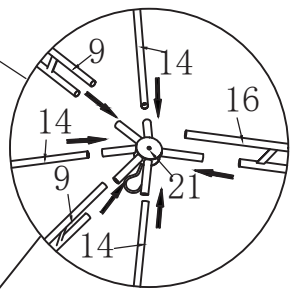
Insert Corner Roof Bar 10 into Top Foot Pole 2, Roof Bar both side, Connect the remaining end of Roof Bar 10 both side as shown in diagram.

7

Insert Lamp Hook 2 into the Top Connector 21.

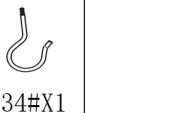
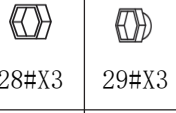
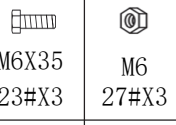
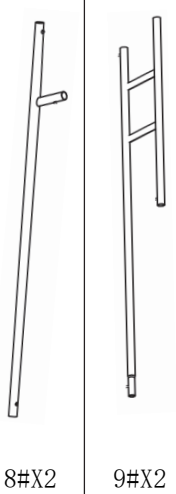
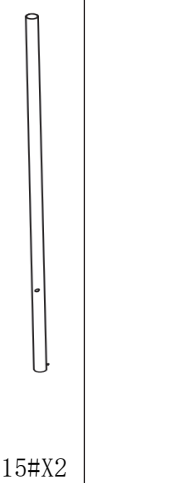
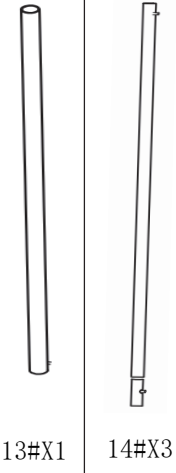
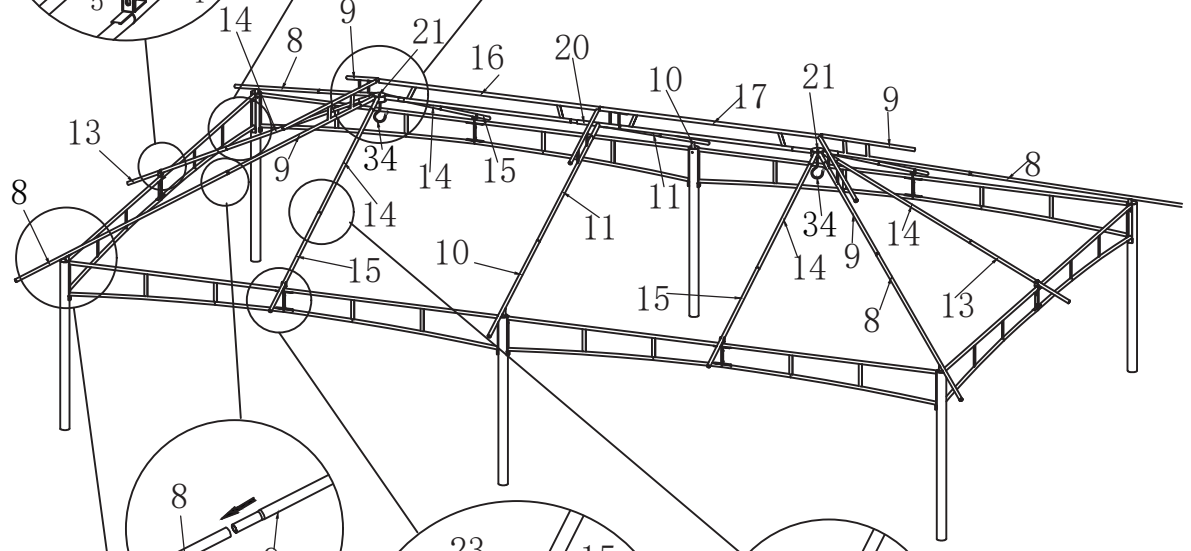
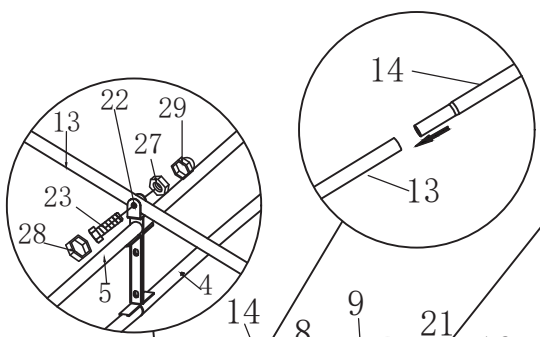


Connect Top Connector 21 with Corner Roof Bar 9 and Roof Bar 14 respectively as shown in diagram



Connect the remaining end of Top Connector to Ejector Pin 16 .

Connect Roof Bar 14 with Roof Bar 13 . Affix the Roof Bar 13 to Beam Connector 22 between Beam 4 and Beam 5 by using Screw 23,Nut 27 and Screw Cap 28,29 as shown in diagram.



Connect Corner Roof Bar 8 with Corner Roof Bar 9 , insert Corner Roof Bar 8 into Top Foot Pole 1.

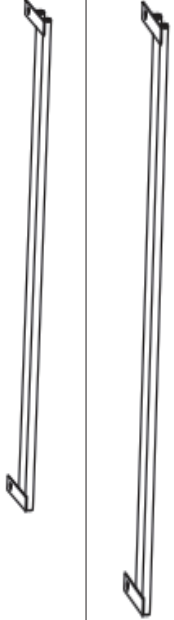
Connect Roof Bar 14 with Roof Bar 15 . Affix the Roof Bar 13 to Beam Connector 22 between Beam 6 and Beam 7 by using Screw 23,Nut 27 and Screw Cap 28,29 as shown in diagram.

8

Insert Plastic Adjusting Lever 12 into each of Roof Bar as shown.



12#X12



18#X8

19#X4



M6X30

24#X24



M6

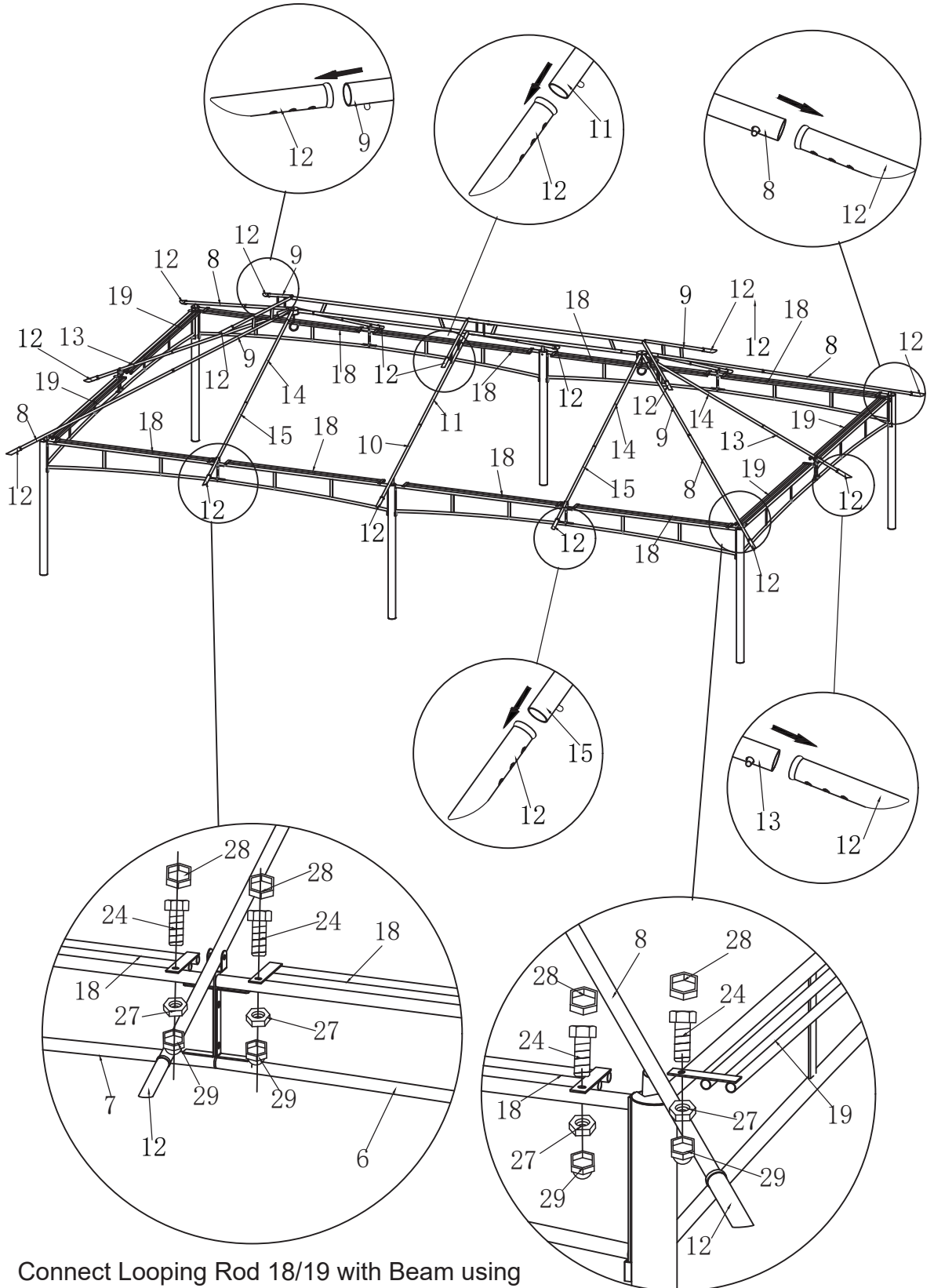
27#X24



28#X24



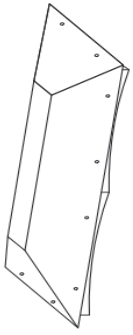
29#X24



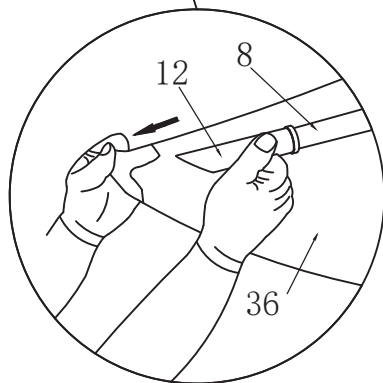
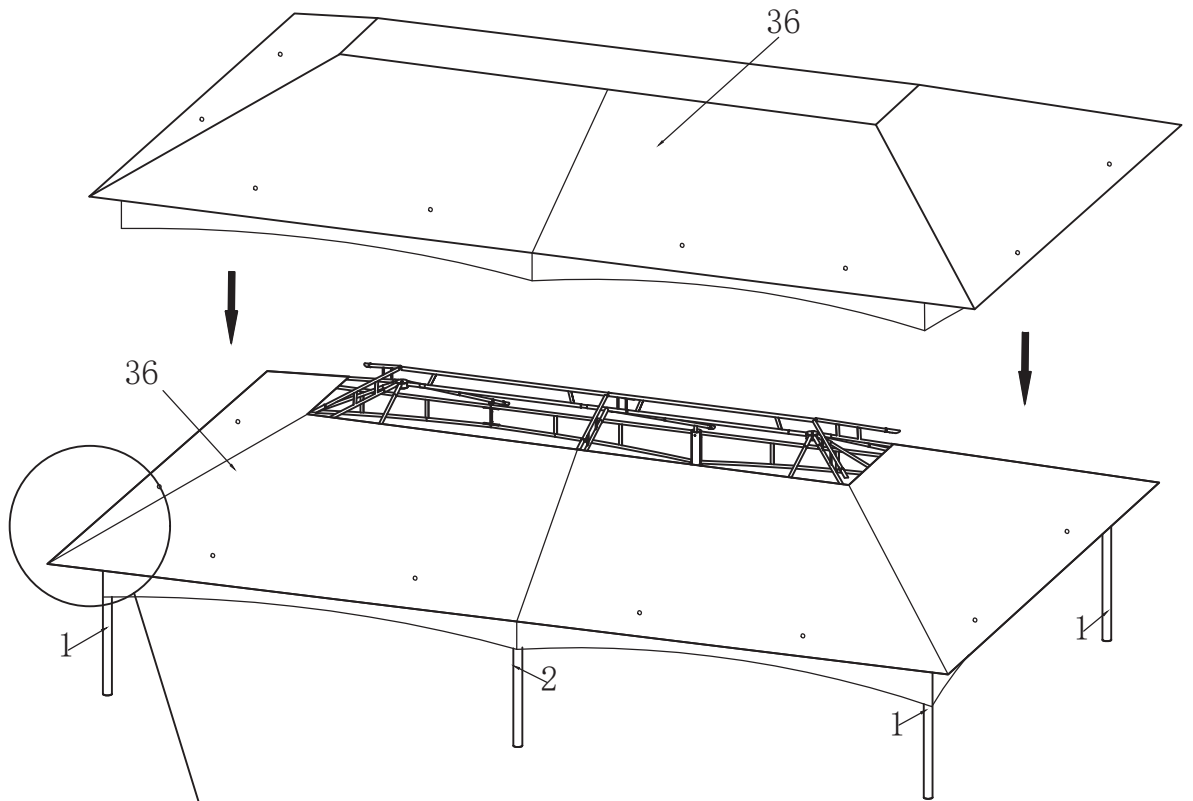
Connect Looping Rod 18/19 with Beam using Screw 24,Nut 27 and Screw Cap 28,29 as shown in diagram.(Note: Looping Rod 18 is for the 10ft Side , Looping Rod 19 is for the 20ft Side)

9

Cover the Large Top Cloth 36 as shown in diagram.

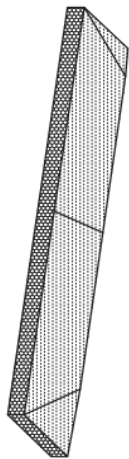


36#X1



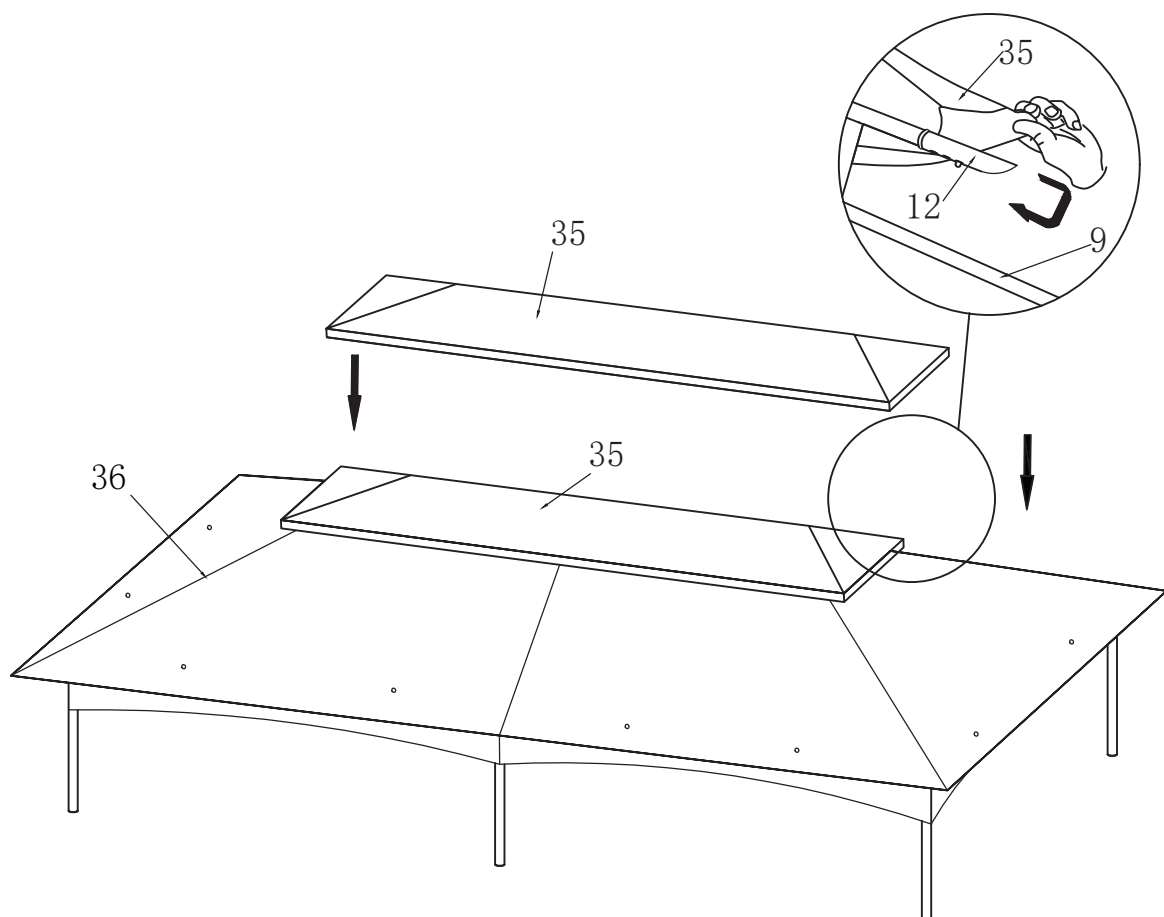
You can adjust the tightness of the top cloth by adjusting the Plastic Adjusting Lever 12.

10



35#X1

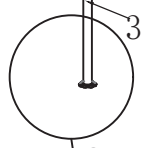
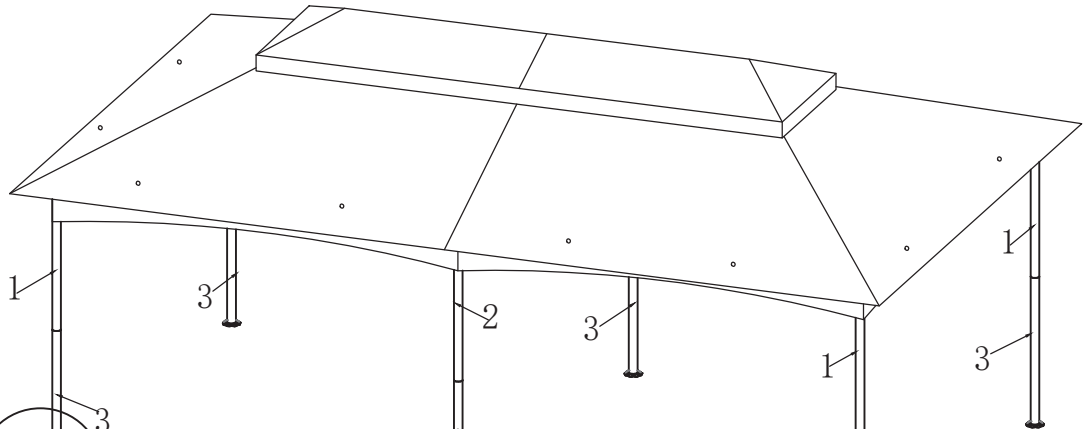
Cover the Little Top Cloth 35 as shown in diagram. You can adjust the tightness of the top cloth by adjusting the Plastic Adjusting Lever 12.



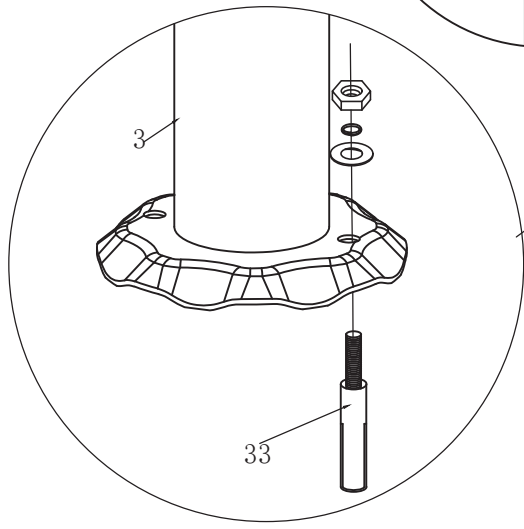
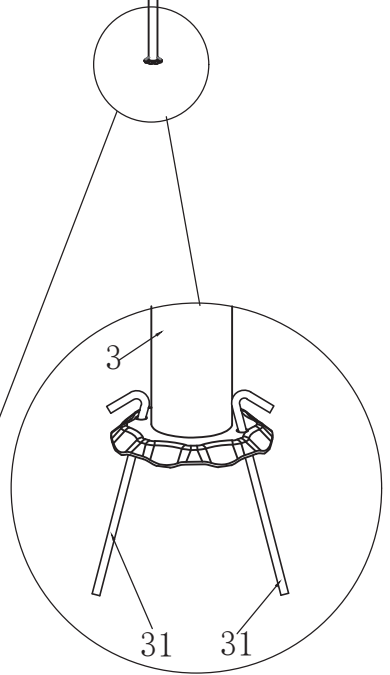
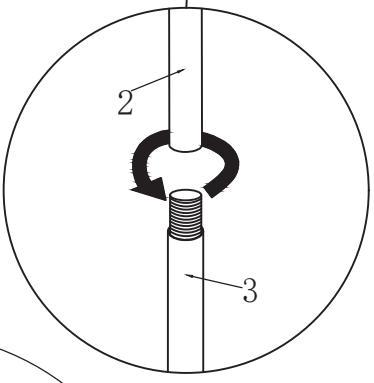
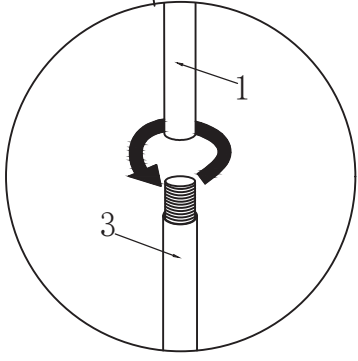
11



3#X6



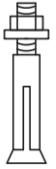
Screw the Bottom Foot Pole into the Top Foot Pole.



To improve wind resistance, be sure to complete this installation step. If expansion screws or ground nails are not installed, strong wind may topple the gazebo. Expansion screws are essential for stability on cement surfaces, and ground nails are for grassy surfaces.

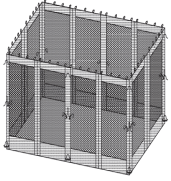


31#X12



33#X6

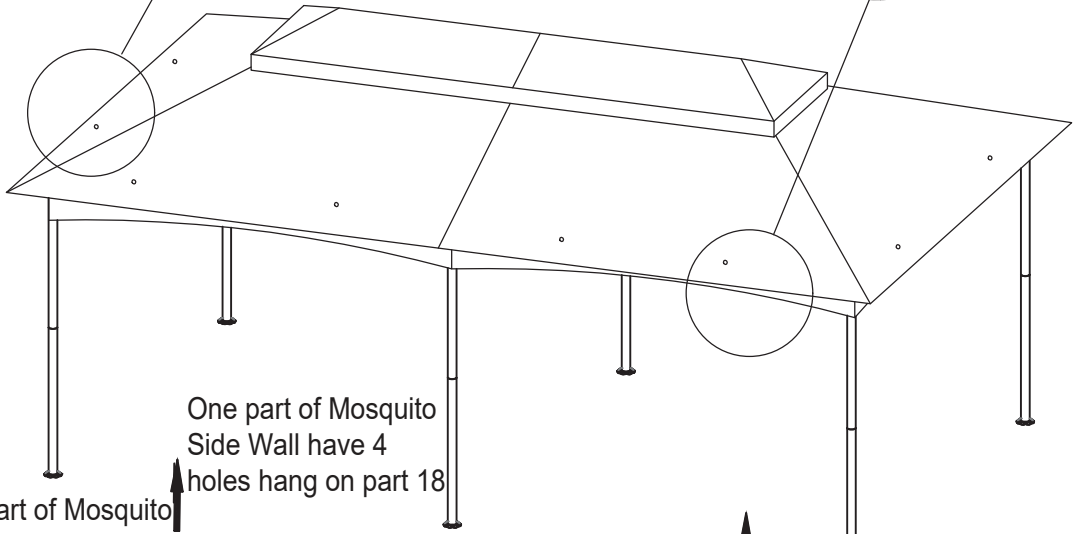
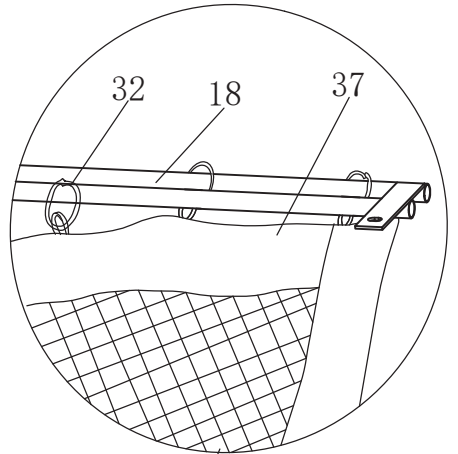
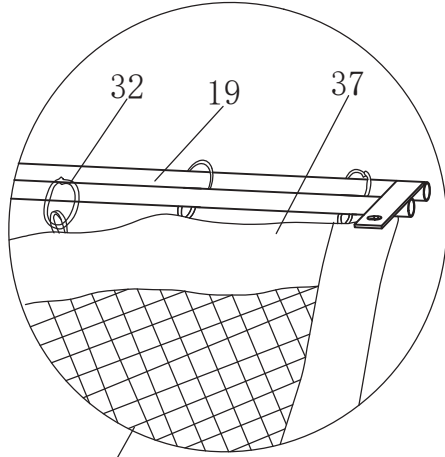
12



37#X1

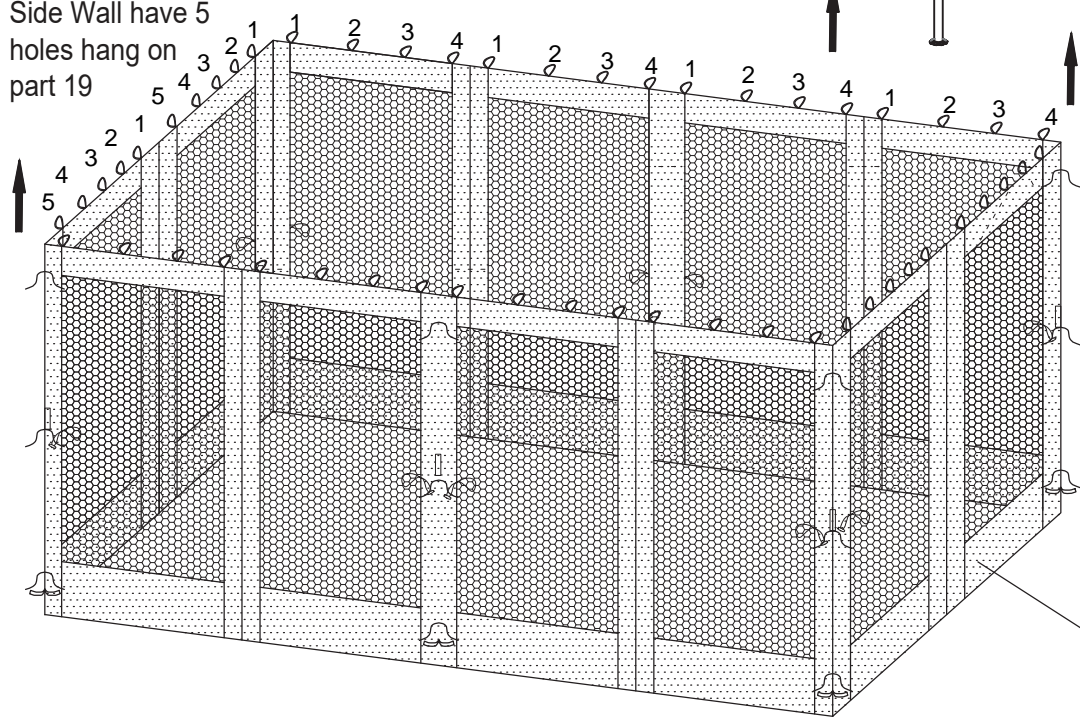


32#X52



One part of Mosquito Side Wall have 4 holes hang on part 18

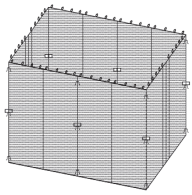
One part of Mosquito Side Wall have 5 holes hang on part 19



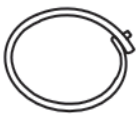
37

Hang up the Mosquito Side Wall as shown in diagram.

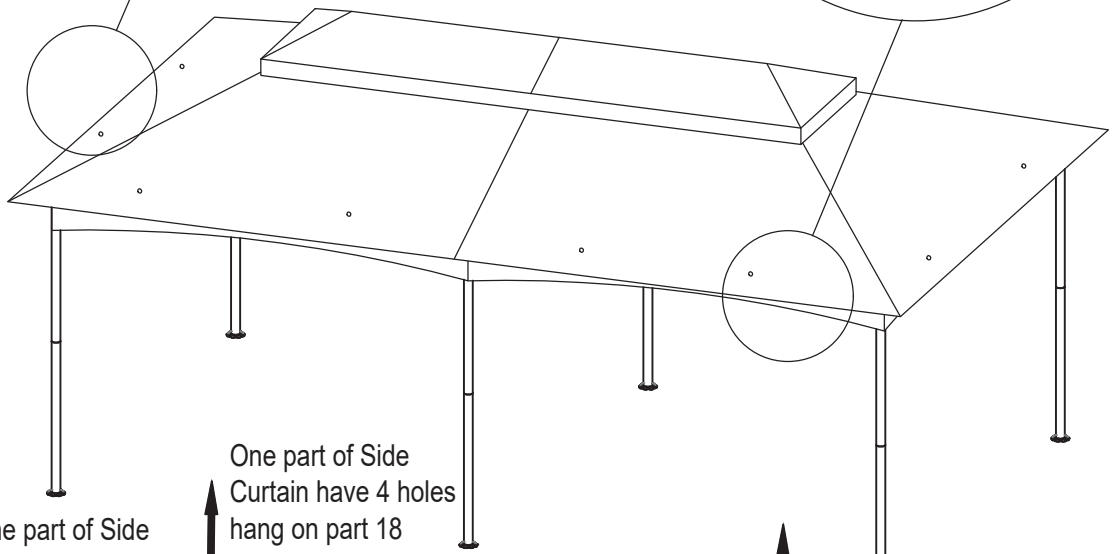
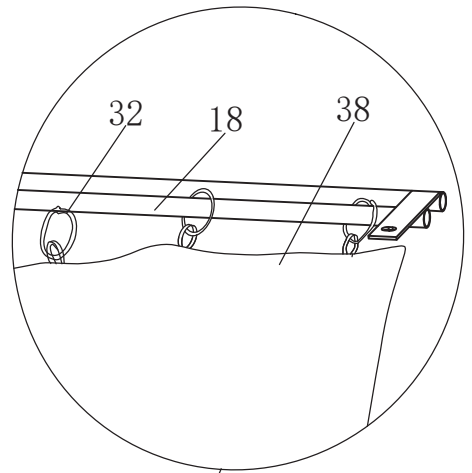
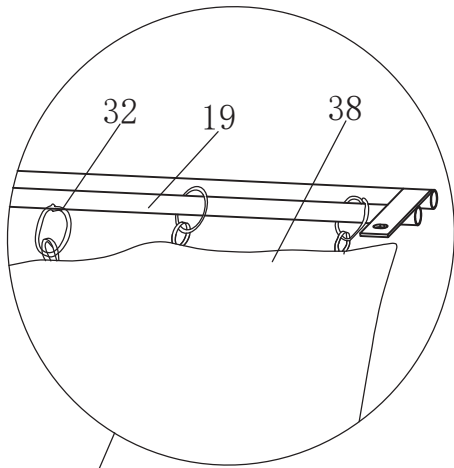
13



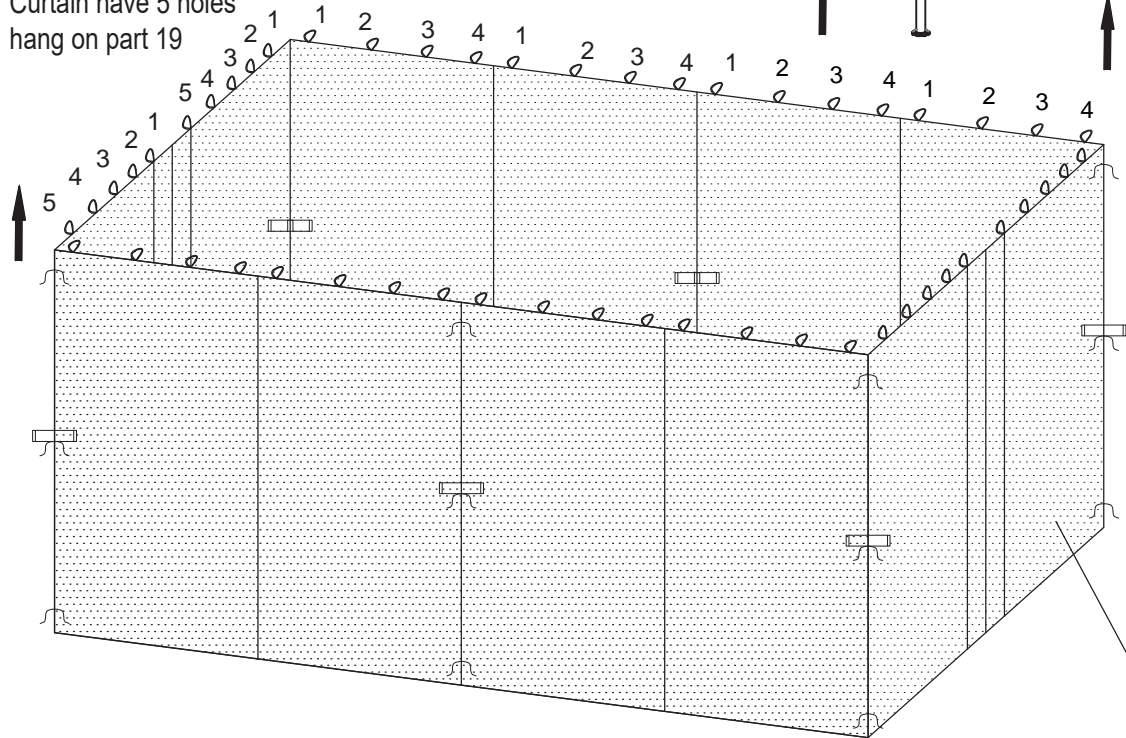
38#X1



32#X52



One part of Side Curtain have 4 holes hang on part 18
One part of Side Curtain have 5 holes hang on part 19



38

Hang up Side Curtain as shown in diagram.
Complete Installation.