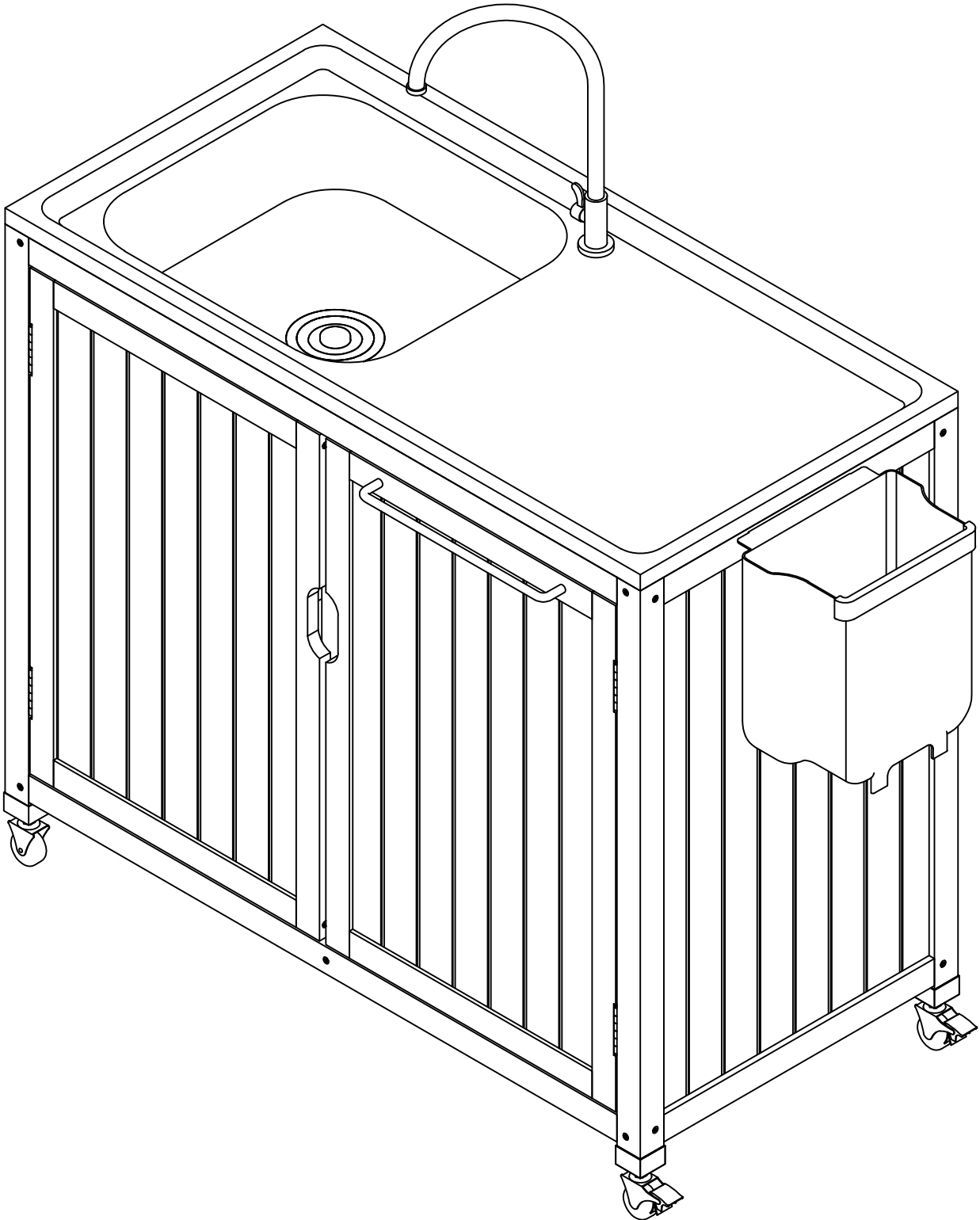


# HJMSBSC-1682501 Washbasin Cabinet

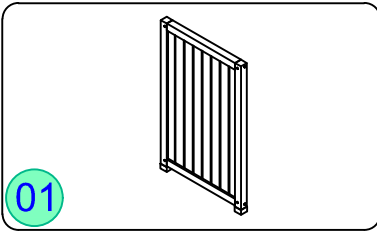
---

## Installation Instructions



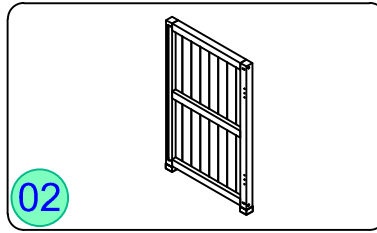
# Board Identification

Not actual size



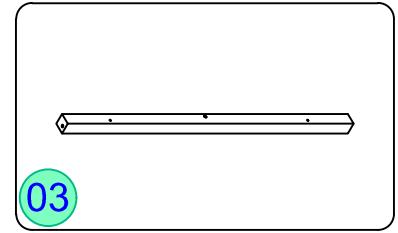
01

Left side frame  
Qty:1



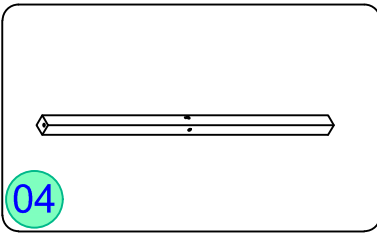
02

Right side frame  
Qty:1



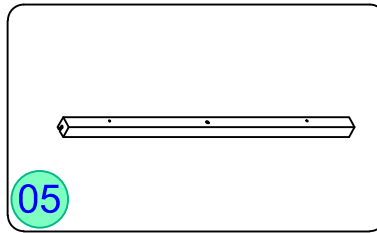
03

Upper front crossbar  
Qty:1



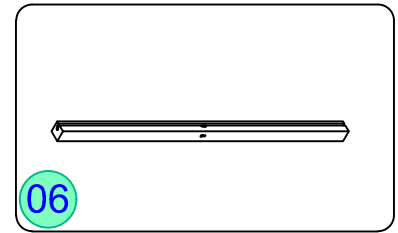
04

Lower front crossbar  
Qty:1



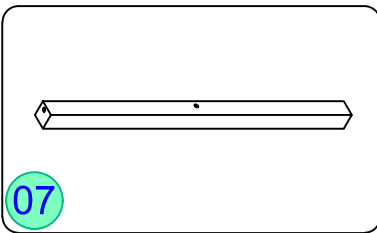
05

Upper rear crossbar  
Qty:1



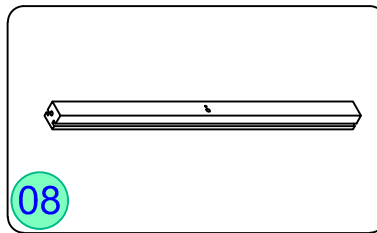
06

Lower rear crossbar  
Qty:1



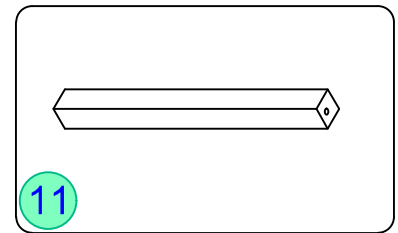
07

Mid front vertical bar  
Qty:1



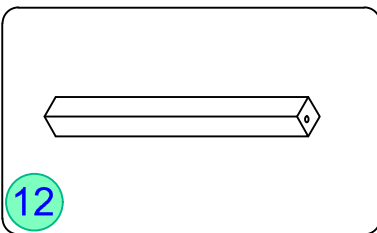
08

Mid rear vertical bar  
Qty:1



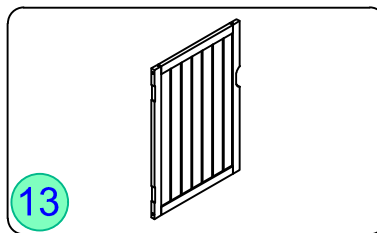
11

Bottom pull bar  
Qty:1



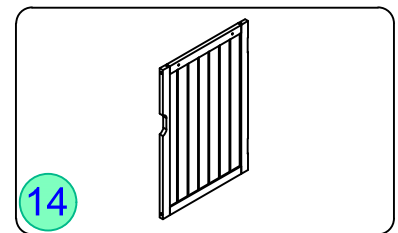
12

Mid pull bar  
Qty:1



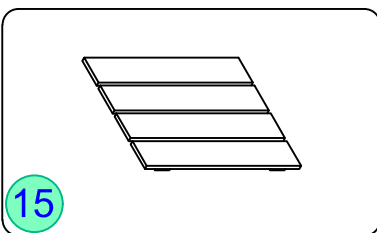
13

Left door frame  
Qty:1



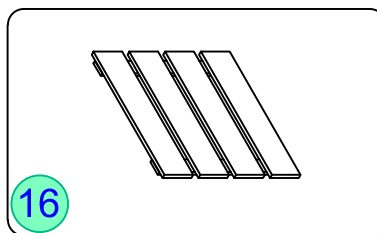
14

Right door frame  
Qty:1



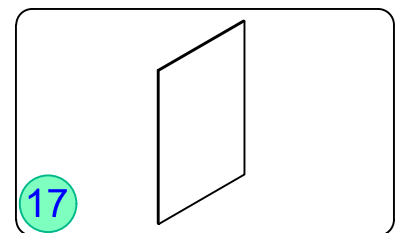
15

Shelf frame  
Qty:1



16

bottom plate frame  
Qty:2



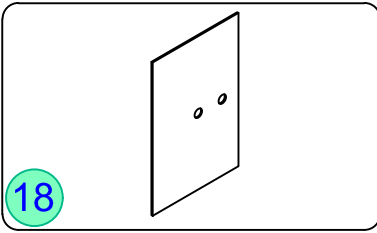
17

Left rear panel  
Qty:1

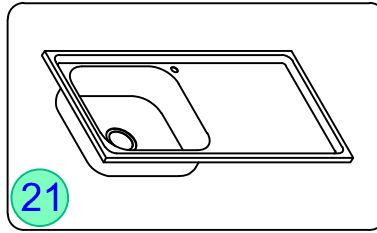
# Board Identification

---

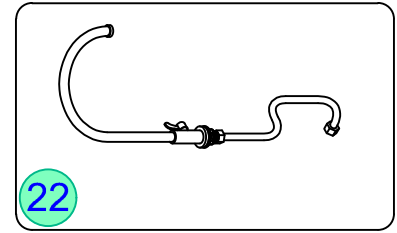
Not actual size



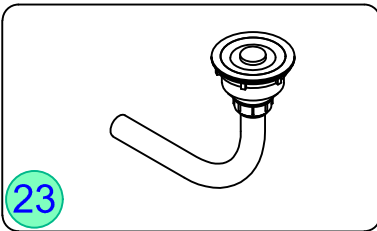
Right rear panel  
Qty:1



Stainless steel basin  
Qty:1



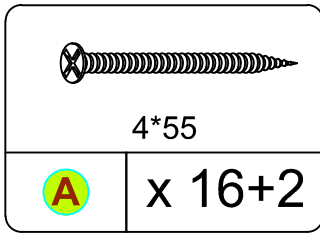
Faucet + Inlet pipe  
Qty:1



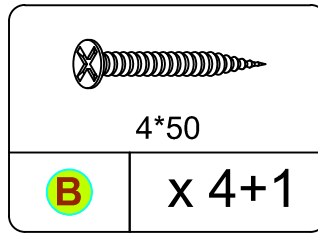
Fixing parts + Drain pipe  
Qty:1

# Hardware Identification

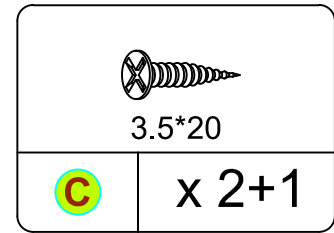
Not actual size



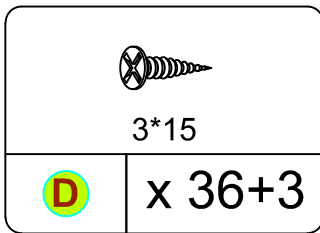
Screw



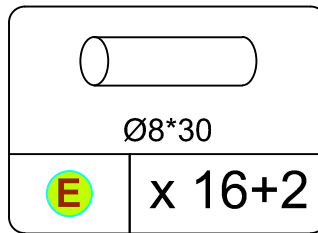
Screw



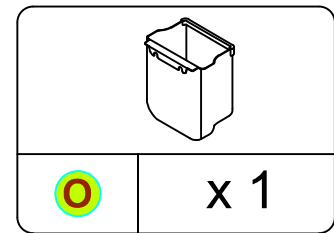
Screw



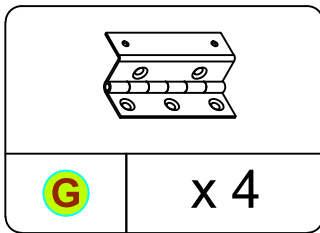
Screw



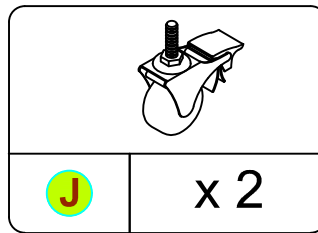
Wood dowel



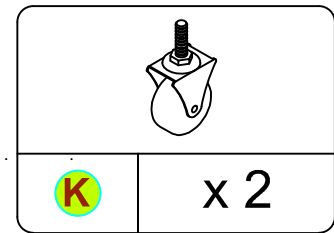
Foldable trash bin



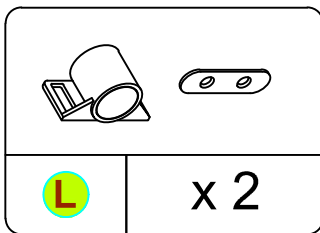
Hinge



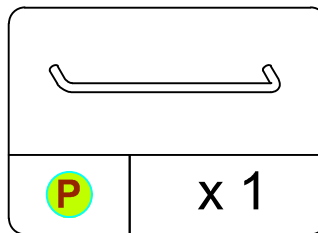
Brake caster



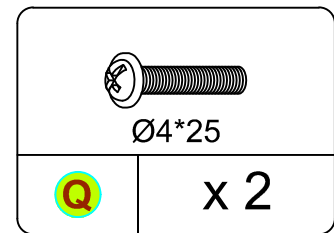
Caster



Caster

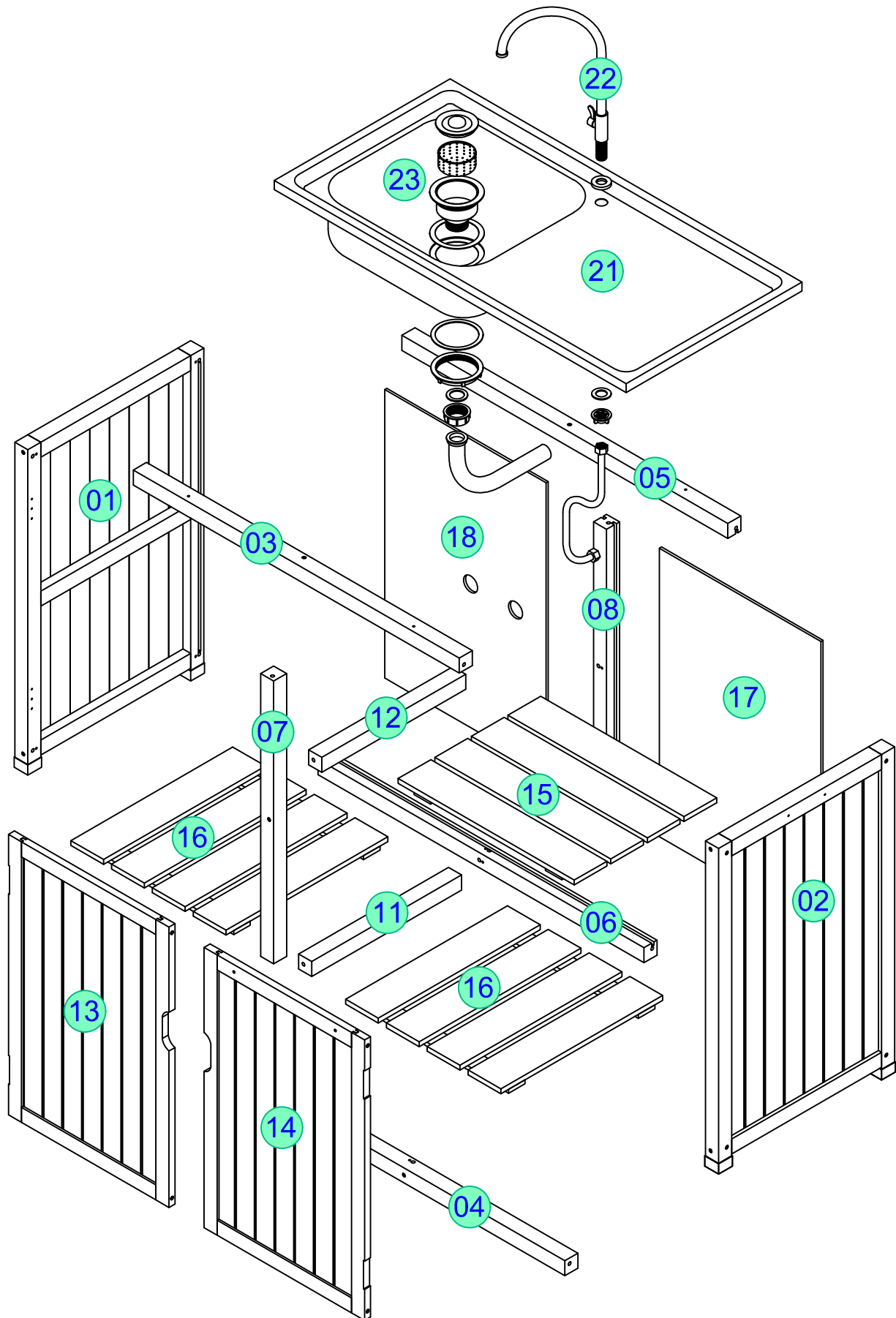


Towel rack





Towel rack screw

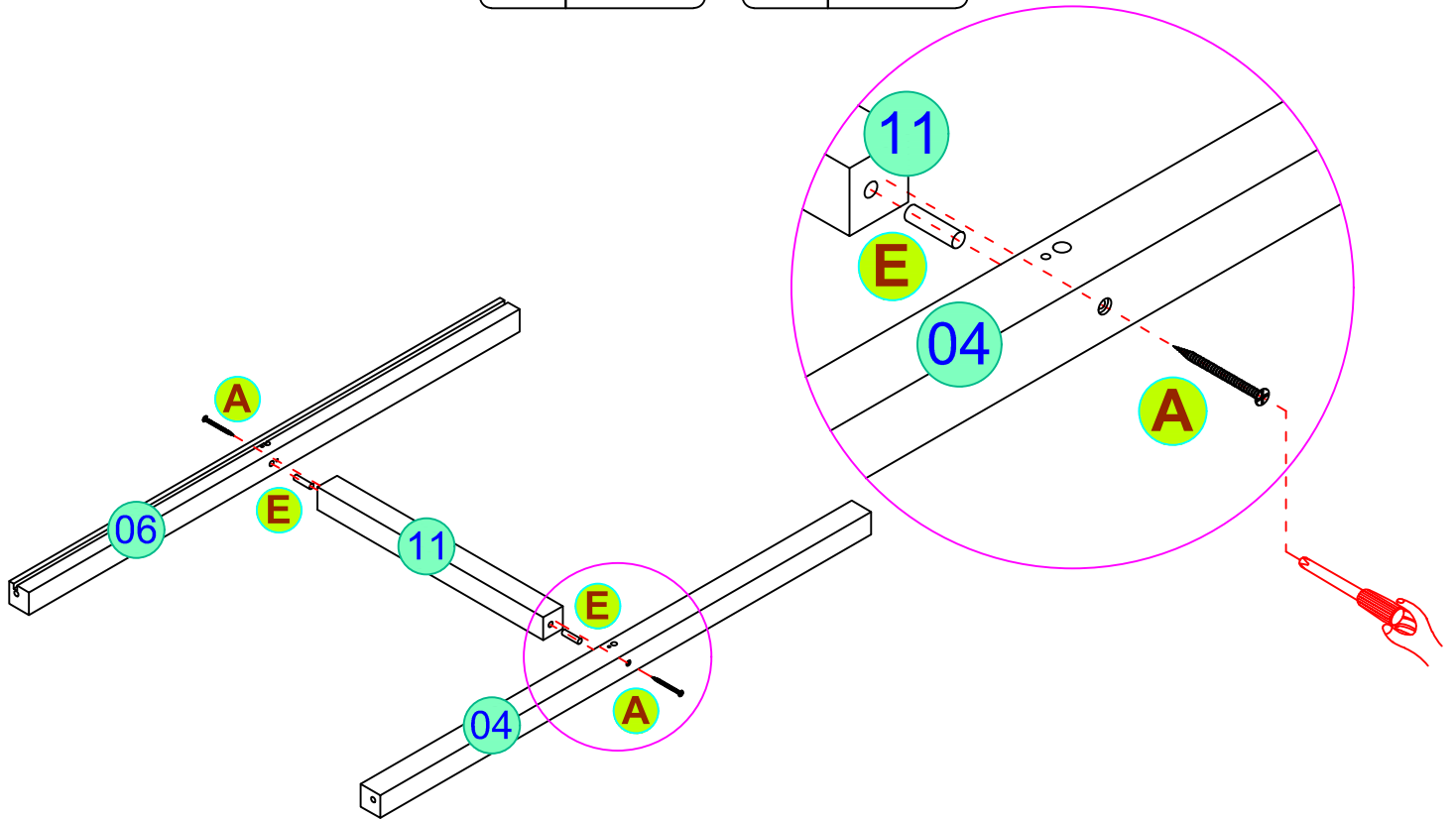
# Explosion diagram




# Step 1

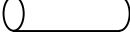

4*55
<b>A</b>   x 2

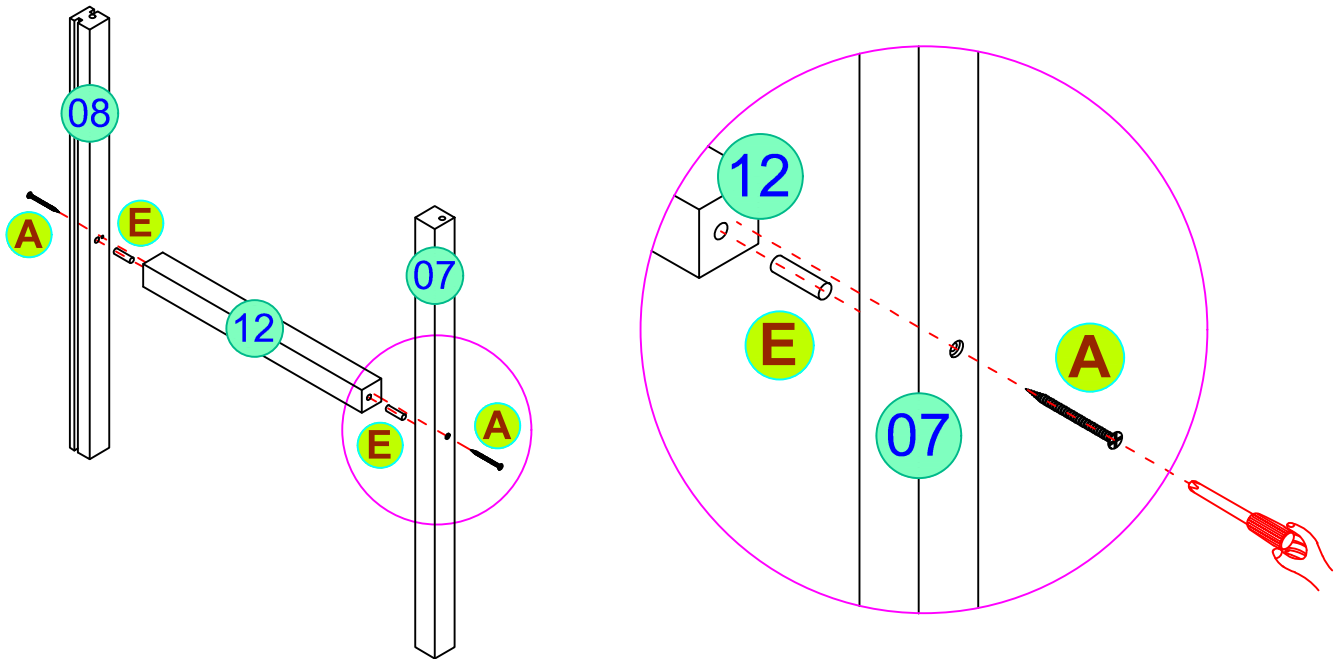

Ø8*30
<b>E</b>   x 2




# Step 2

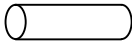

4*55
<b>A</b>   x 2

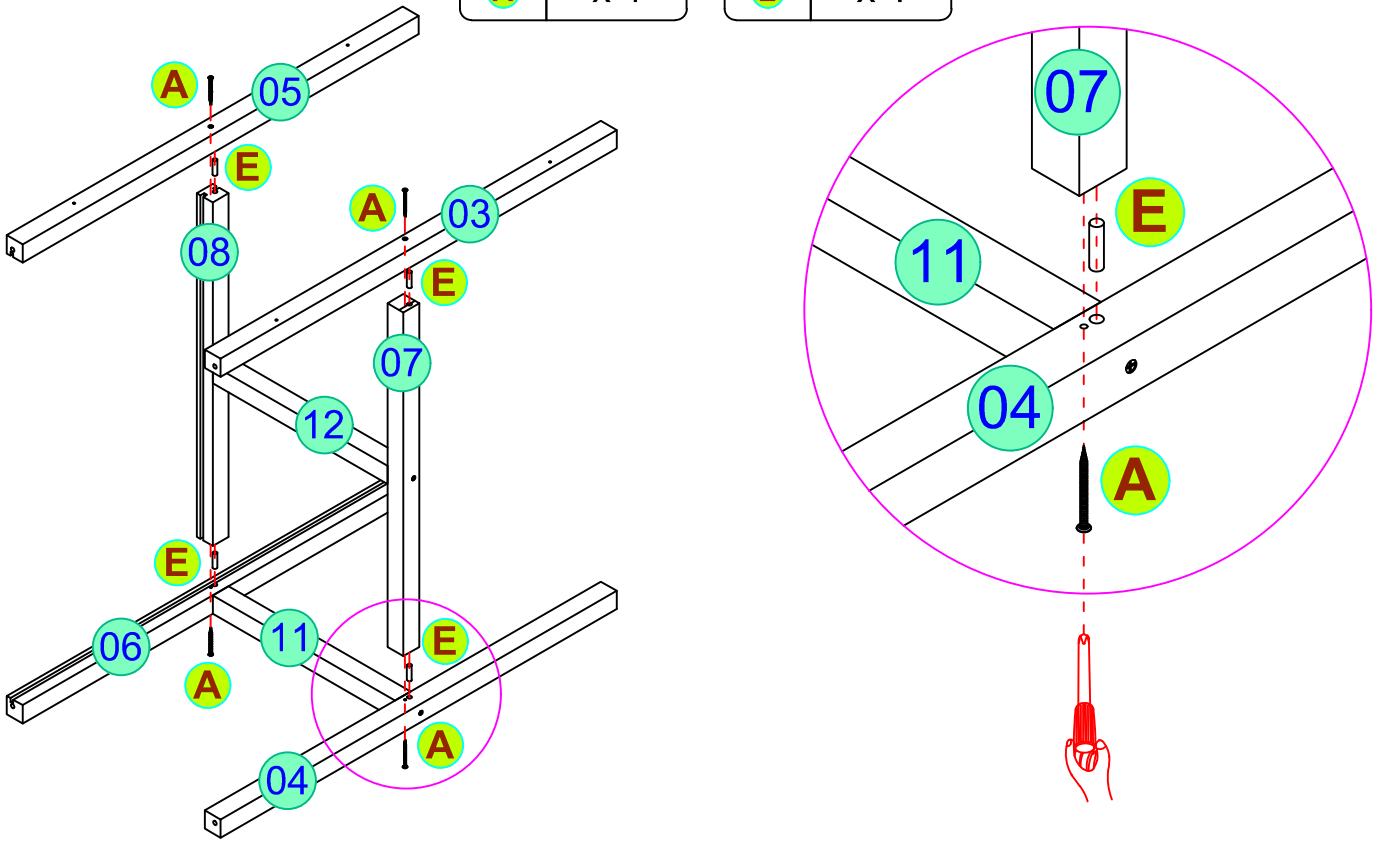

Ø8*30
<b>E</b>   x 2



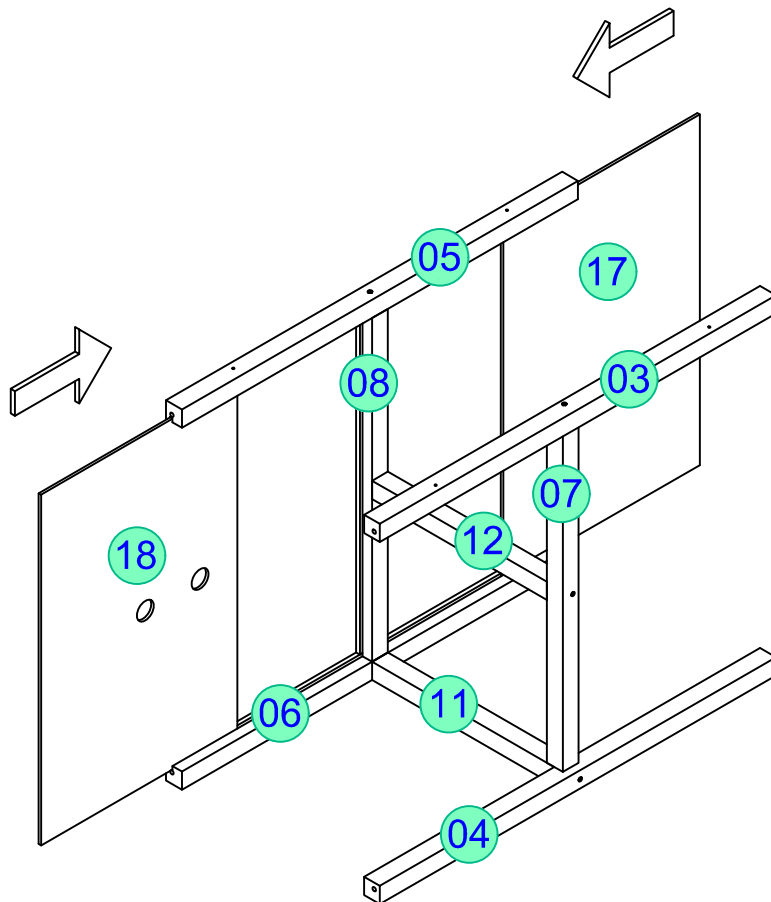
# Step 3


4*55
<b>A</b> x 4



Ø8*30
<b>E</b> x 4

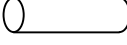


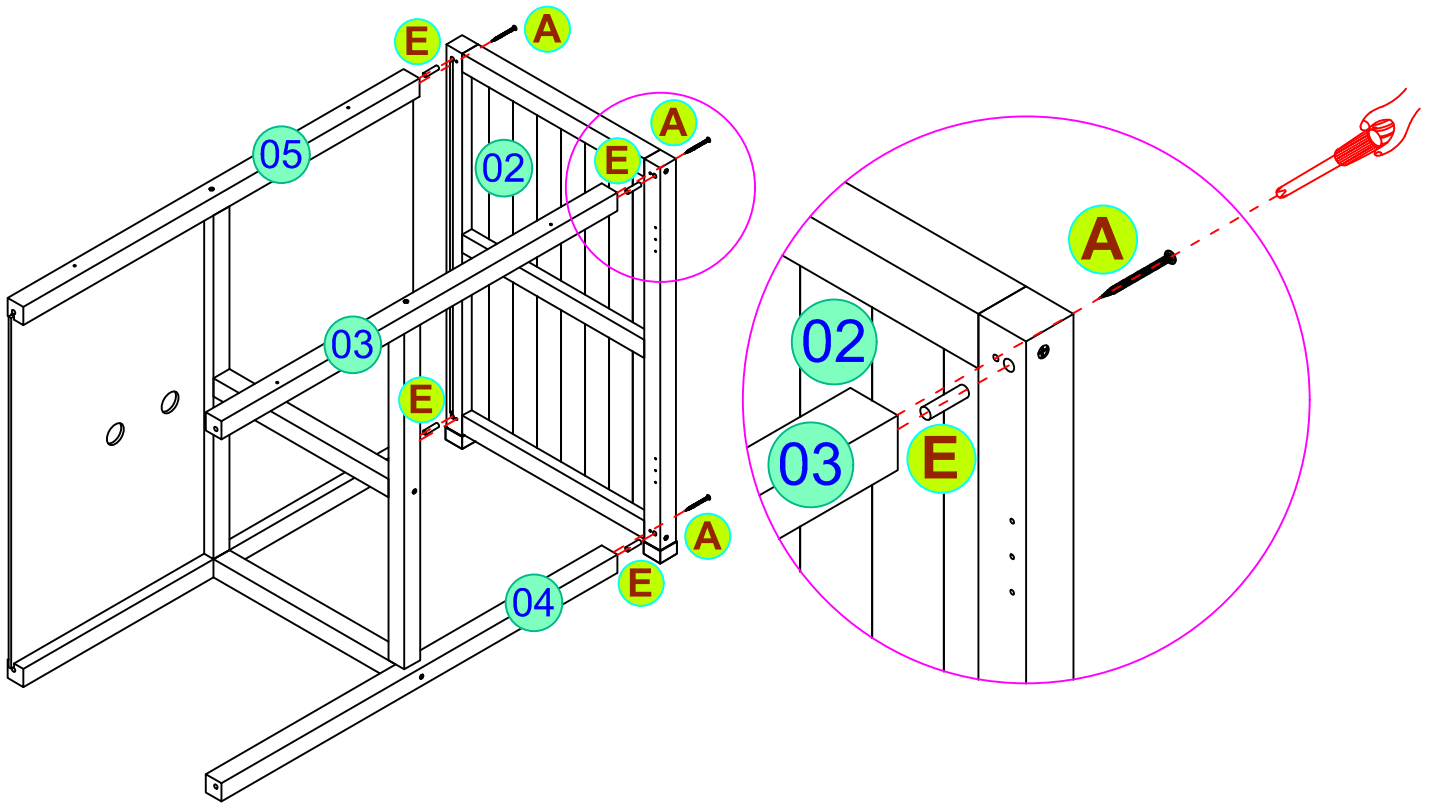
# Step 4




# Step 5

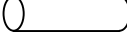
	4*55
<b>A</b>	x 4

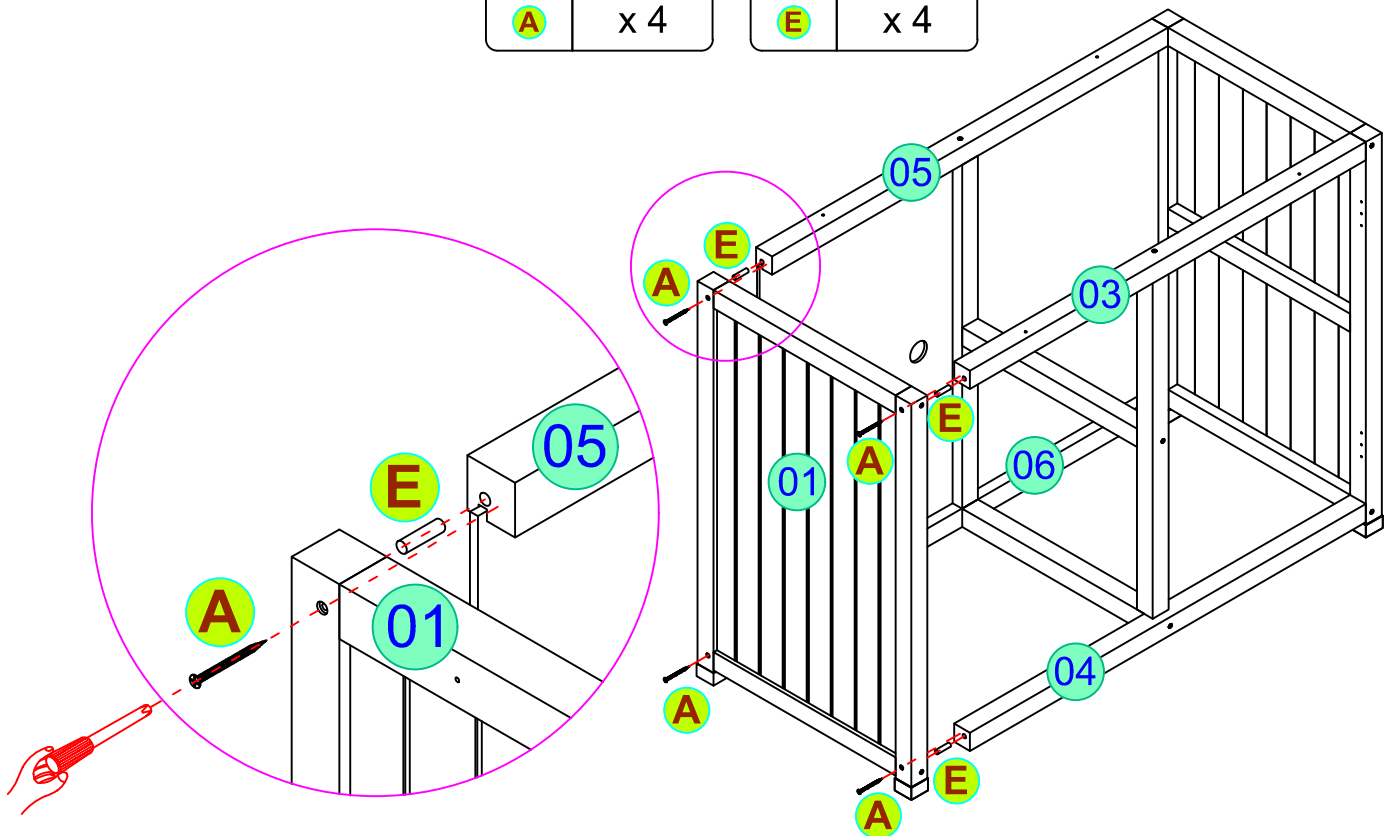
	Ø8*30
<b>E</b>	x 4



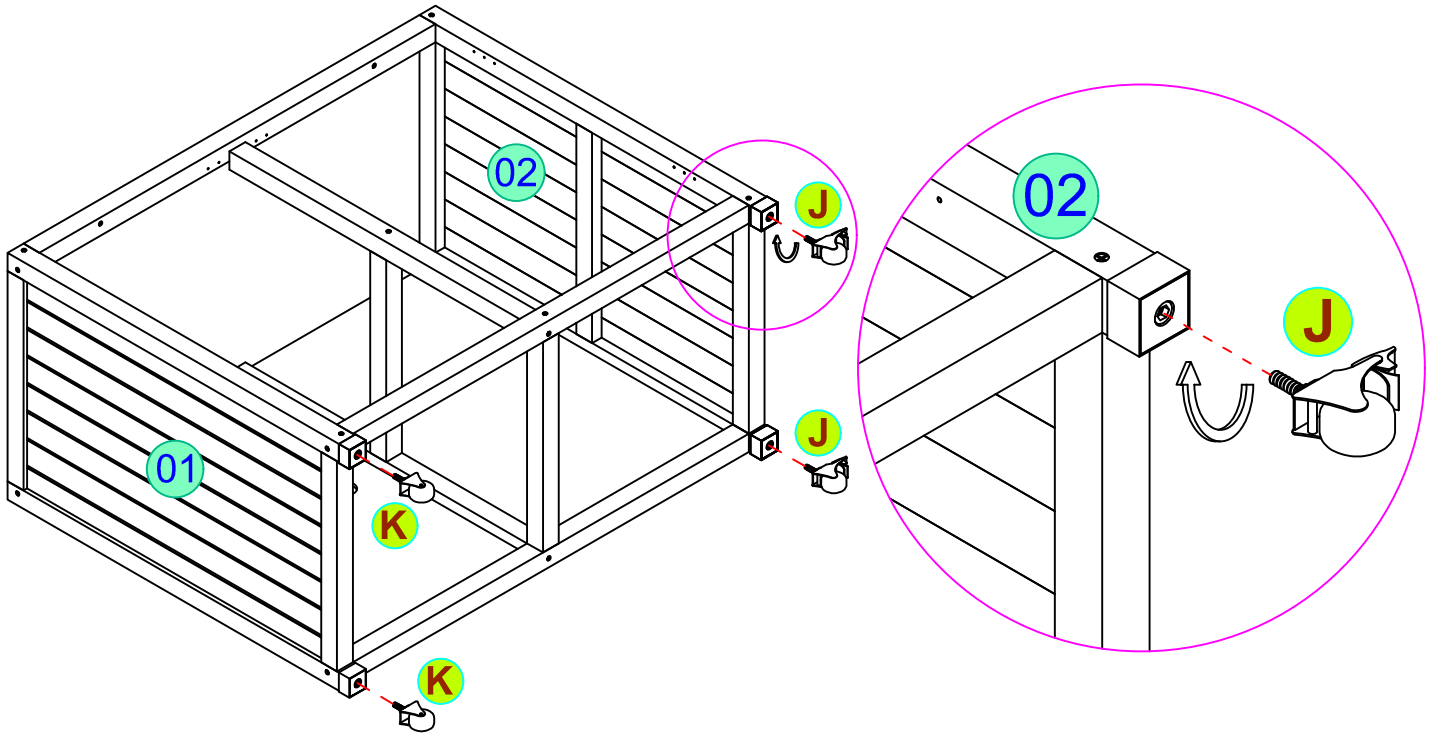
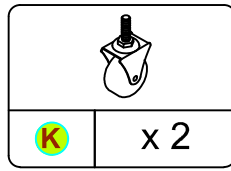
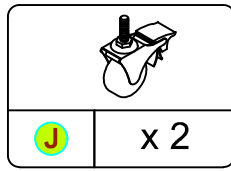
# Step 6

	4*55
<b>A</b>	x 4

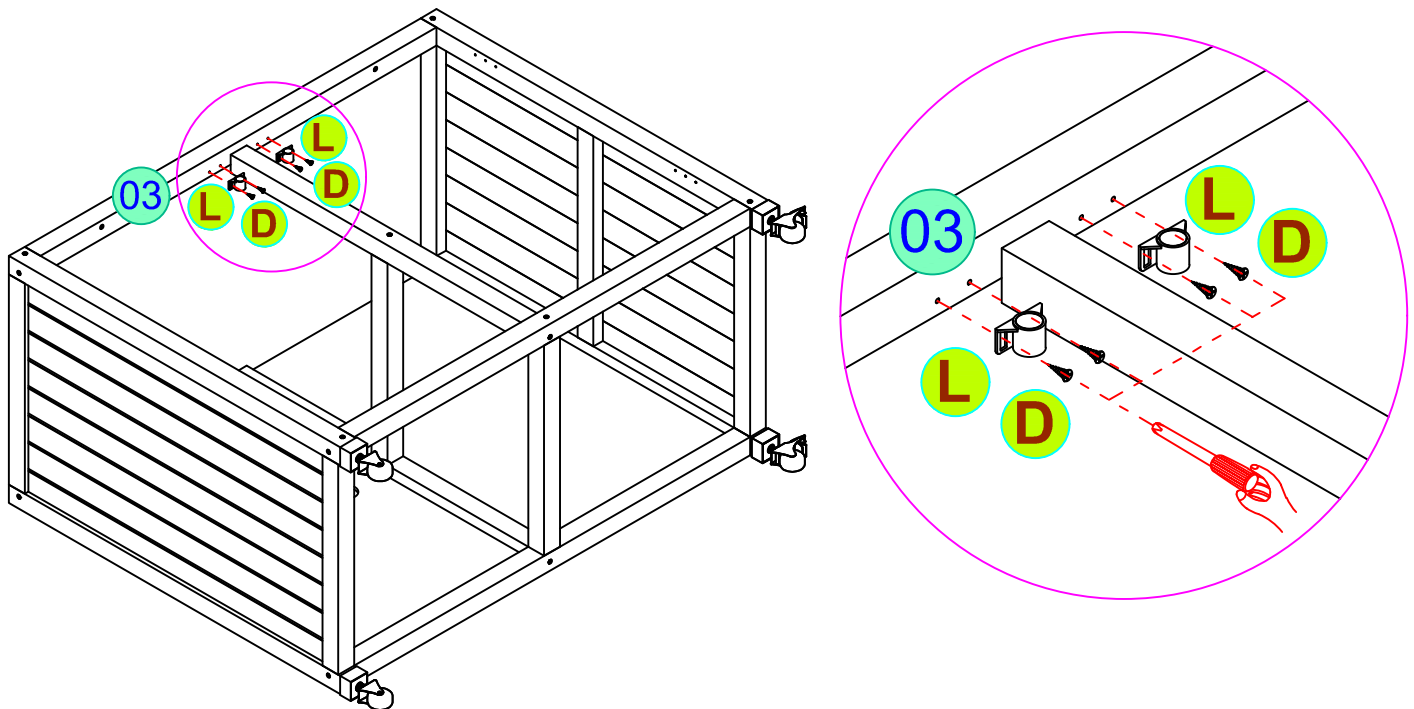
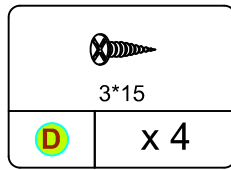
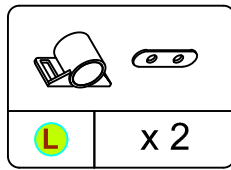
	Ø8*30
<b>E</b>	x 4



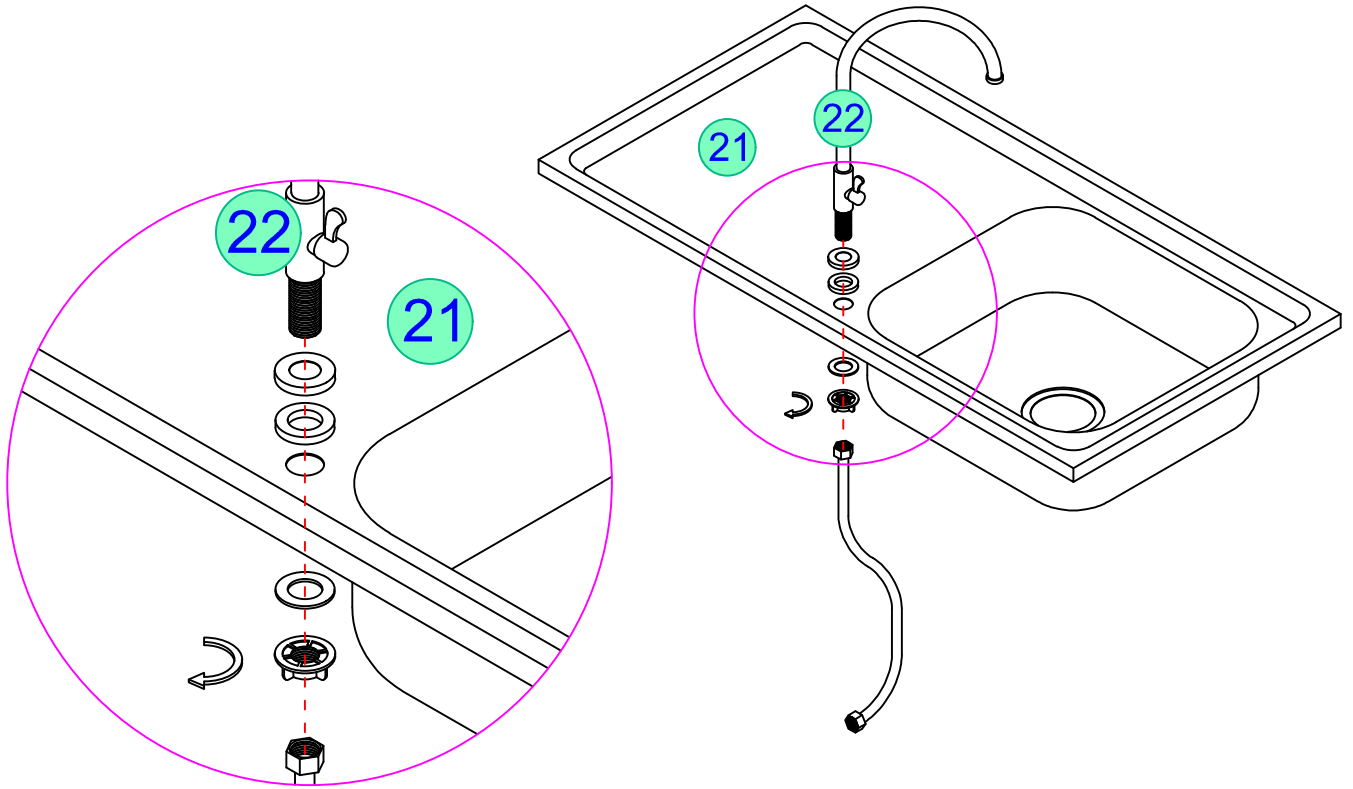
# Step 7



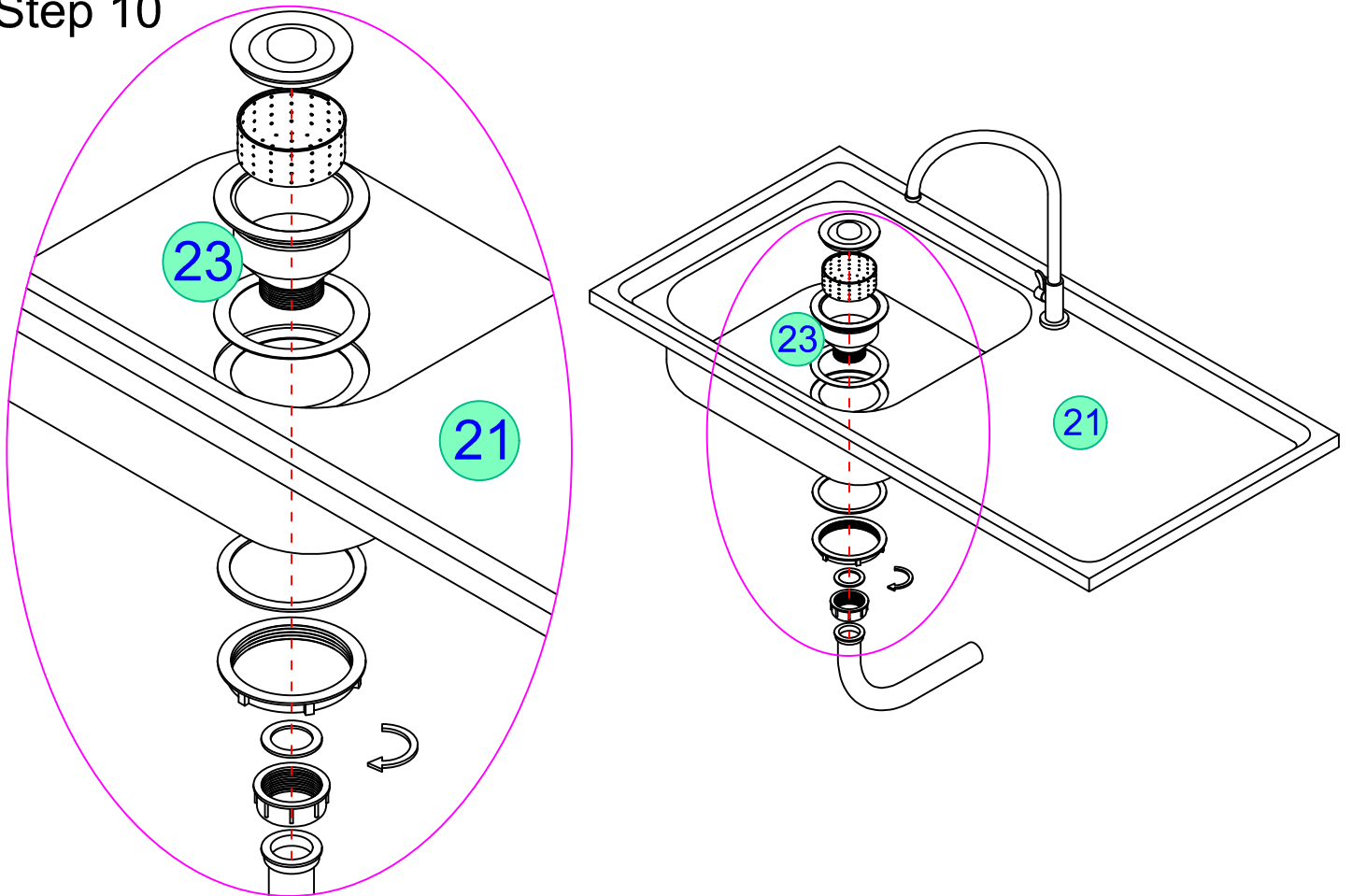
# Step 8



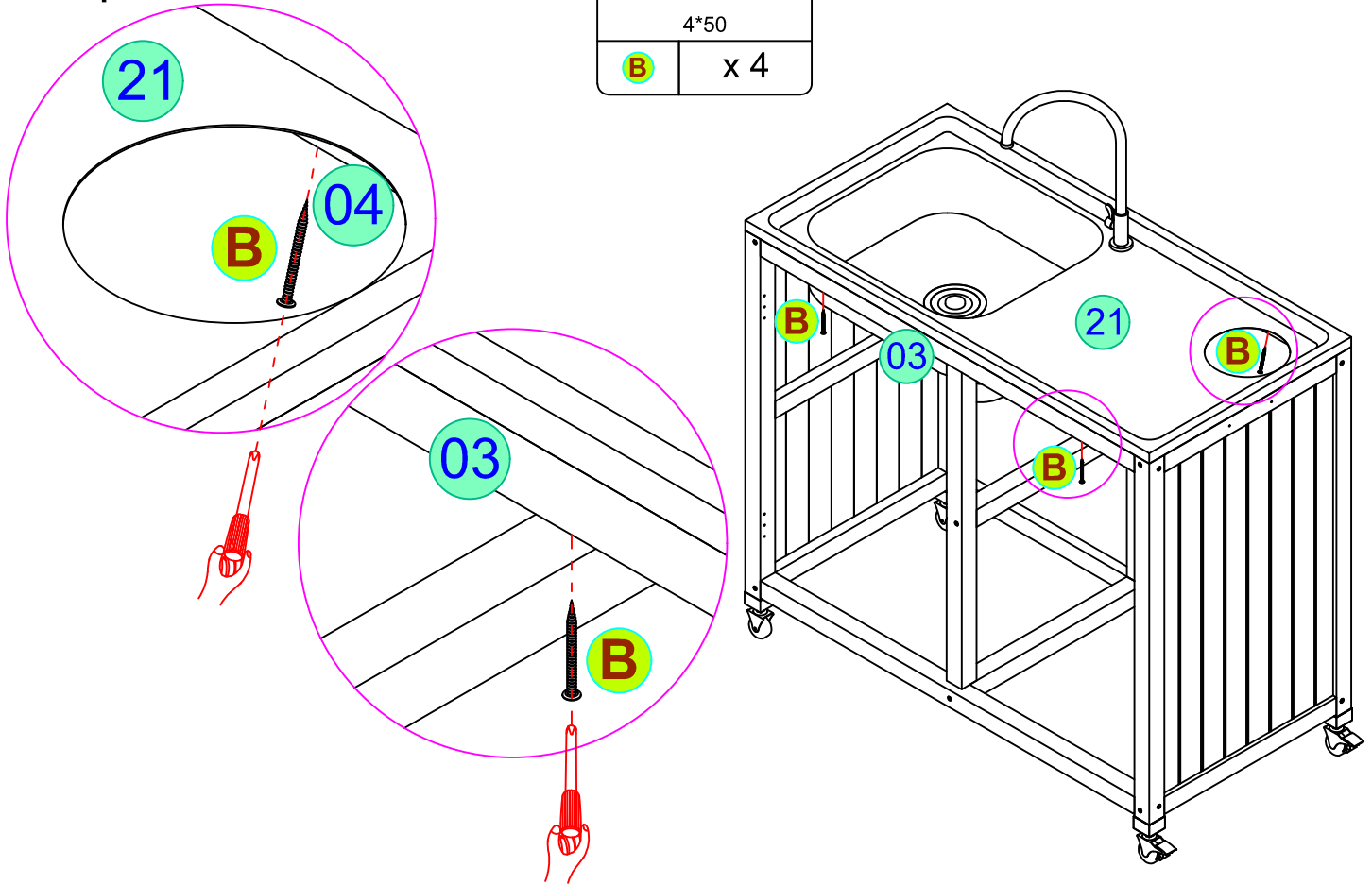
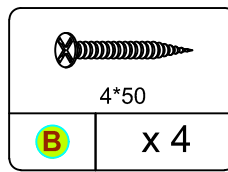
# Step 9



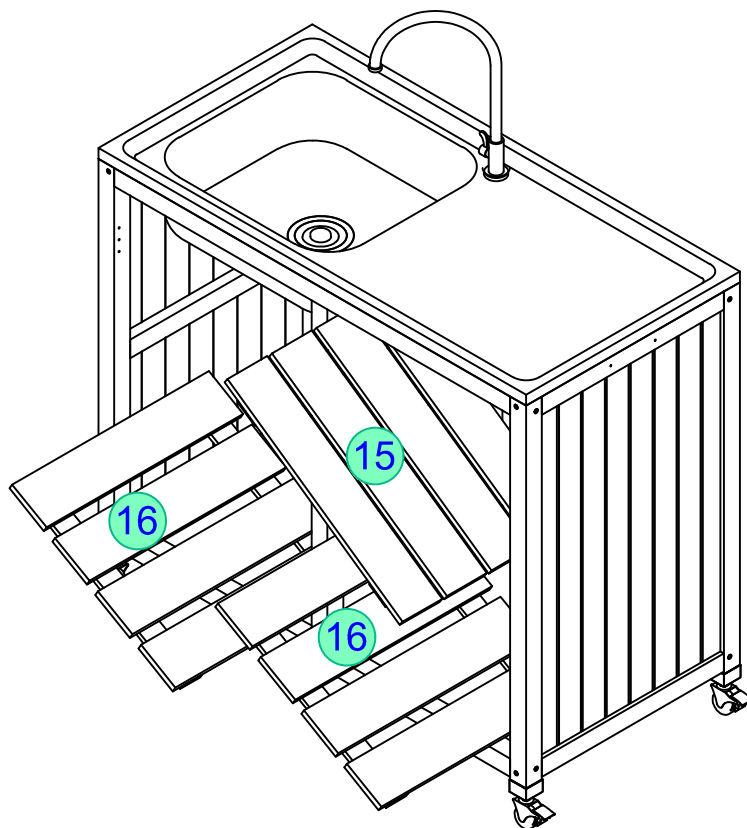
# Step 10



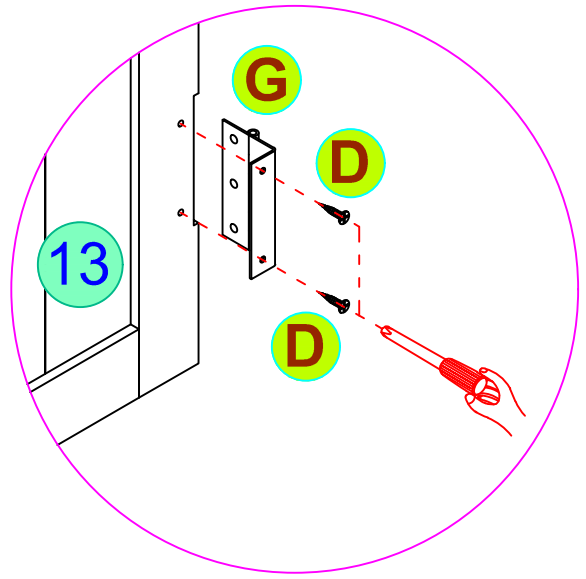
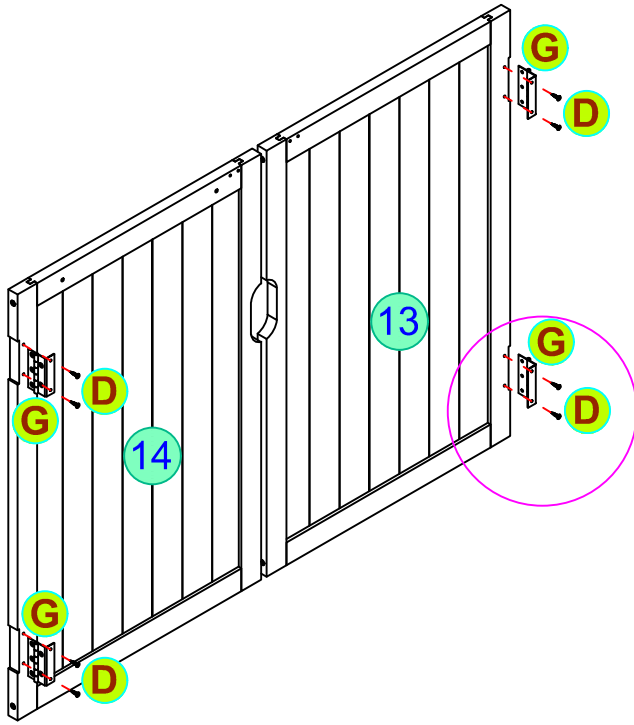
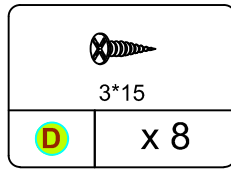
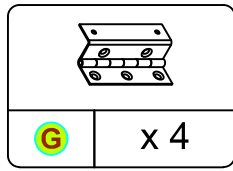
## Step 11



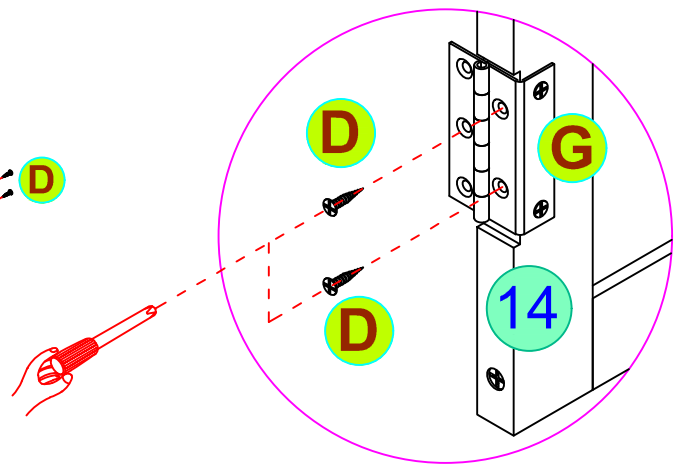
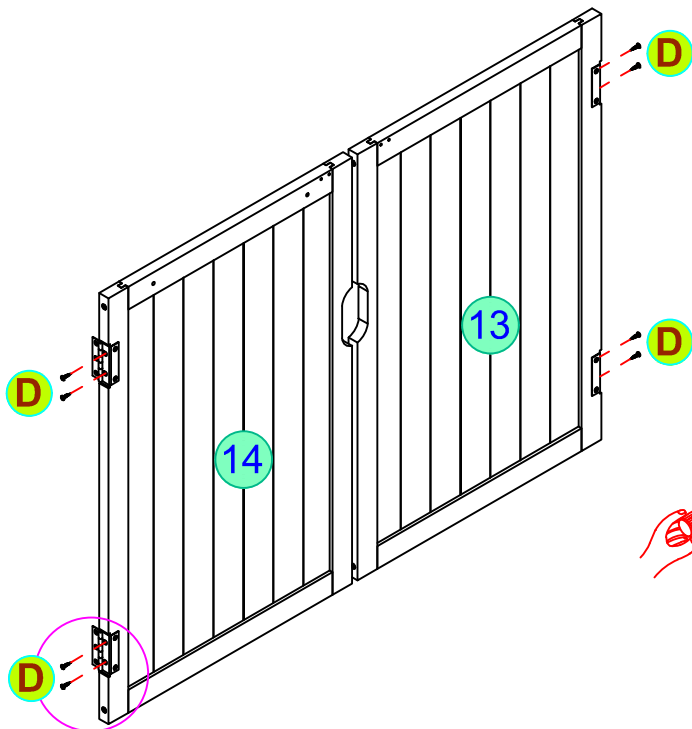
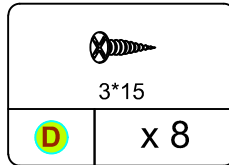
Step 12 Put the laminate and bottom board into the cabinet at an inclination of 30 degrees and lay them flat.



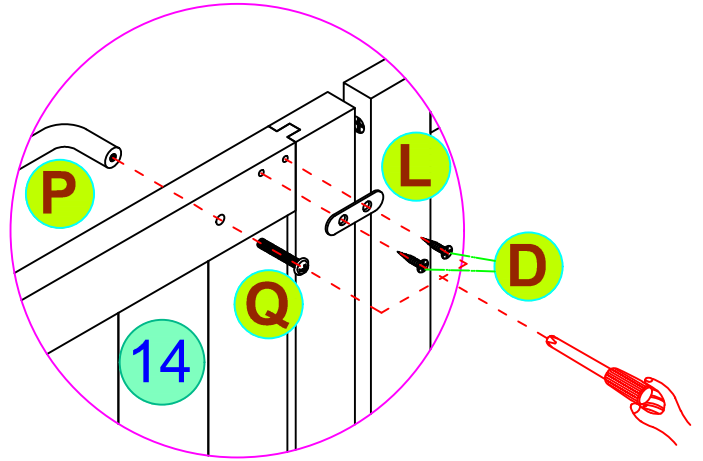
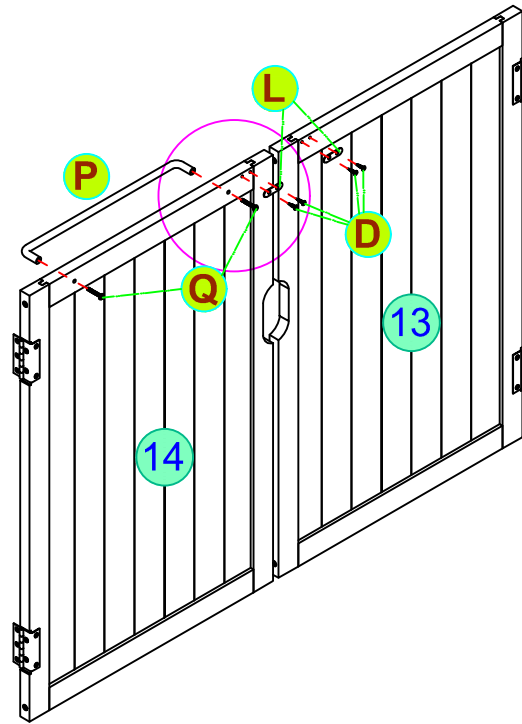
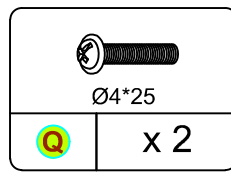
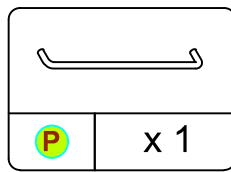
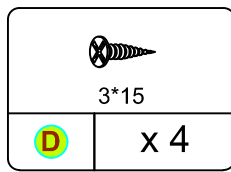
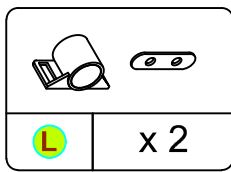
# Step 13



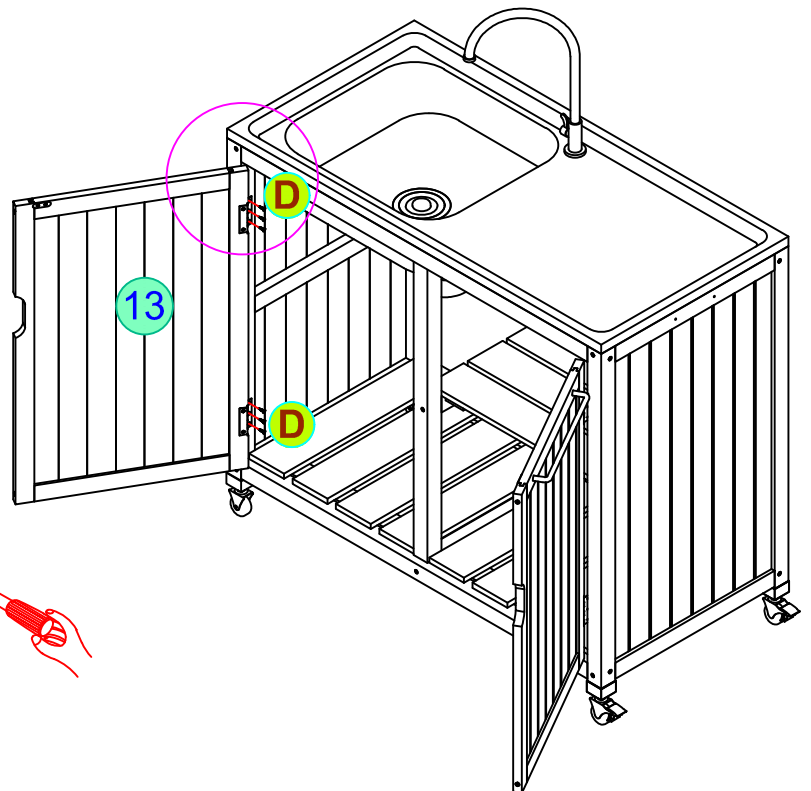
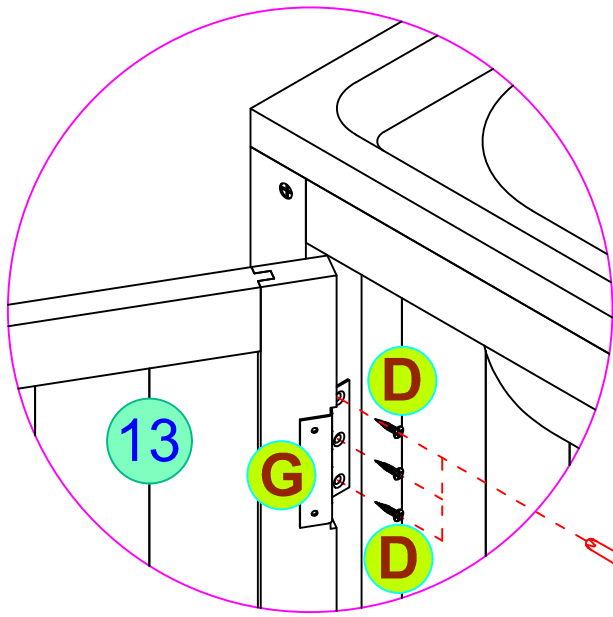
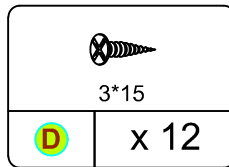
# Step 14



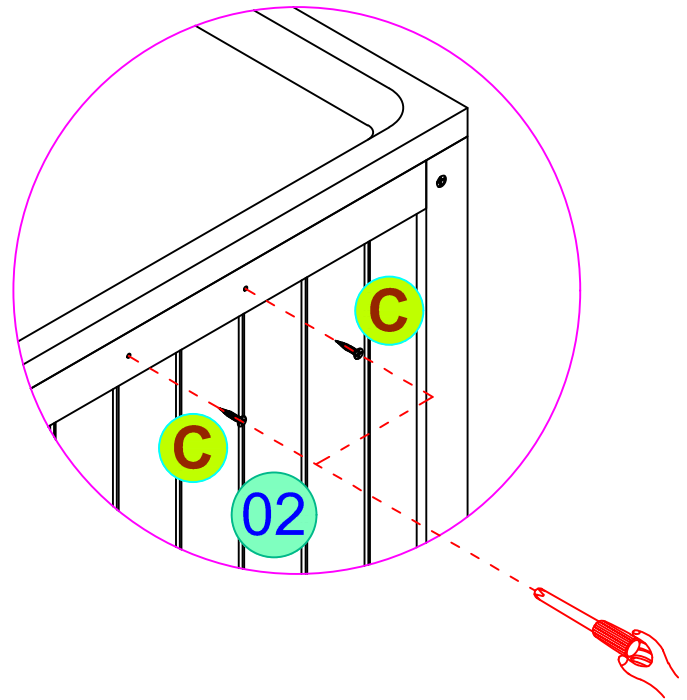
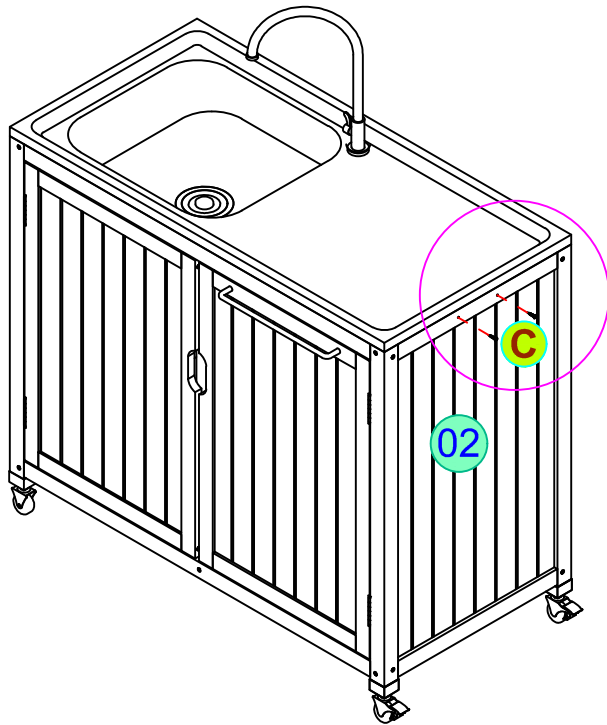
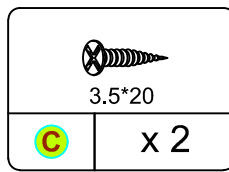
# Step 15



# Step 16



# Step 17



# Step 18

