

REVISIONS		
NO.	DATE	NOTES
1		
2		
3		
4		
5		
6		
7		
8		

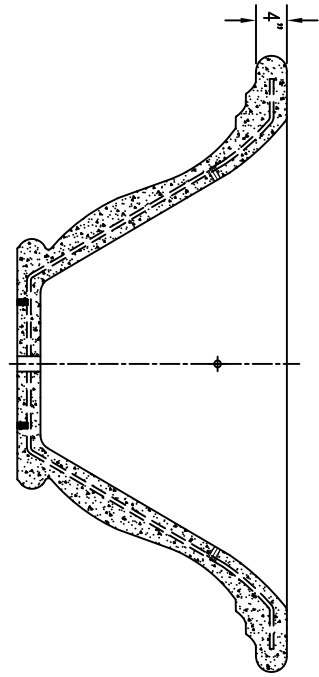
THESE DRAWING SPECIFICATIONS AND OTHER REQUIREMENTS ARE THE PROPERTY OF WASAU TILE, INC. THE DRAWINGS AND ACCOMPANYING THEM ARE THE CONFIDENTIAL AND PROPRIETARY PROPERTY OF WASAU TILE, INC. THE DRAWINGS HEREIN SHALL BELONG TO THE OWNER AND SHALL REMAIN THE PROPERTY OF WASAU TILE, INC. THE PROPRIETARY INFORMATION CONTAINED WITHIN THE DRAWINGS AND THIS SPECIFICATION SHALL BE THE SOLE PROPERTY OF WASAU TILE, INC.

JOB NAME _____
 ADDRESS _____
 CITY, STATE ZIP _____

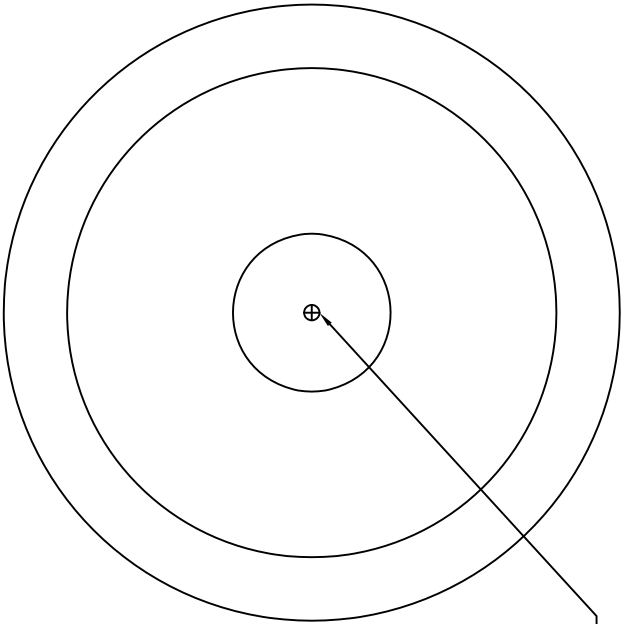
UNLESS OTHERWISE SPECIFIED
 DIMENSIONS ARE IN INCHES
 FINISHES 4/16"

DRAWN BY: SK
 DATE: 8/2/15
 CD NUMBER: ?
 WEIGHT: 2850 LBS

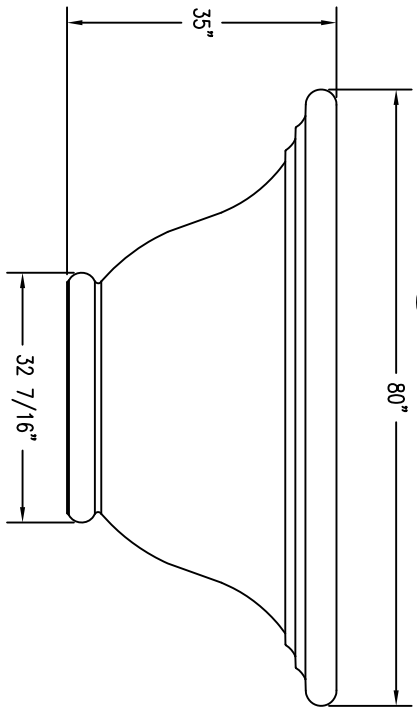
PRODUCT NO.
TF 4302



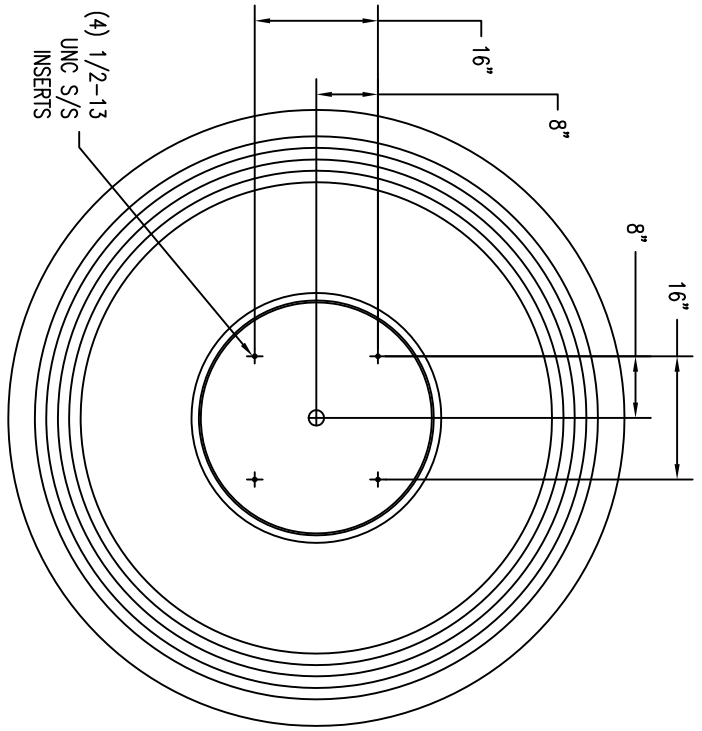
4 CROSS SECTION



1 TOP VIEW



2 ELEVATION VIEW



3 BOTTOM VIEW