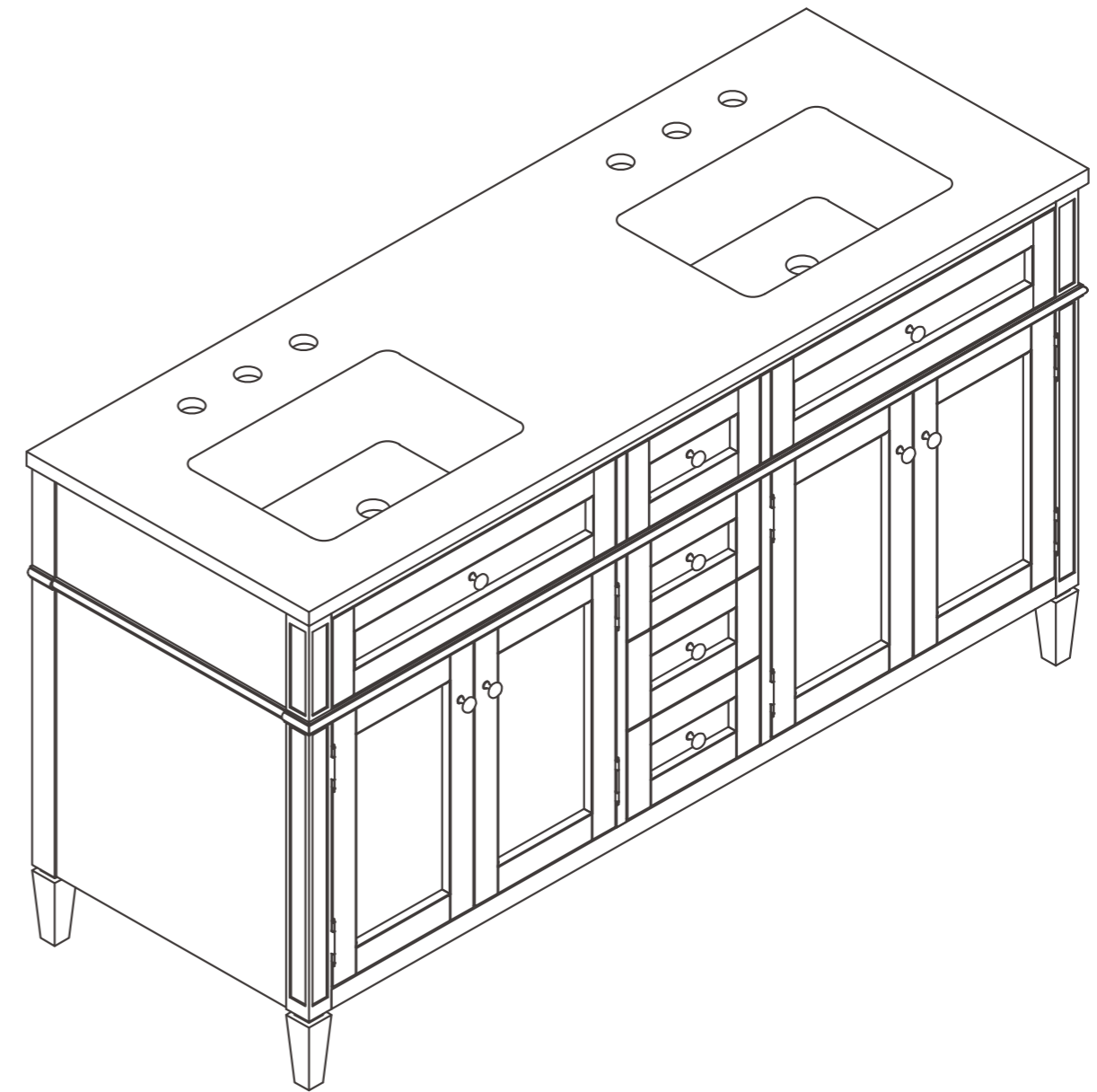


Bathroom Vanity

Assembly Instruction – Please keep properly for future reference.

If you find any missing boxes, damaged parts, or accessory shortages, please contact the customer service team of your purchasing channel immediately. We will resolve the issue as quickly as possible.



Bathroom Vanity

EN

THE FOLLOWING INFORMATION:

- Order number
- Purchase platform
- Purchase date
- Detailed description of the issue along with photos (if applicable)

Important – Please read these instructions carefully before starting the installation.

Before Assembly



Thank you for choosing our product!

To ensure a smooth installation process, please read this guide carefully to familiarize yourself with the required tools, materials, and installation steps.

Follow the relevant sections to avoid any damage caused by improper installation, and make sure to review all operation and safety guidelines for correct installation procedures.

Packaging Notice:

If you find any missing boxes, damaged parts, or accessory shortages, please contact the customer service team of your purchasing channel immediately. We will resolve the issue as quickly as possible.

Safety and Care Advice



Important :

Please read these instructions fully before starting assembly.

- Check you have all the components and tools listed on the following pages.
- Remove all fittings from the plastic bags and separate them into their groups.
- Keep children and animals away from the work area, small parts could choke if swallowed.
- Make sure you have enough space to layout the parts before starting.
- During assembly do not stand or put weight on the product, this could cause damage.
- Assemble the item as close to its final position (in the same room) as possible.
- Assemble on a soft level surface to avoid damaging the unit or your floor.
- Parts of the assembly will be easier with 2 people.



- To reduce the likelihood of damaging your product please ensure that your power drill is set on a low torque setting.

Care and Maintenance

- Only clean using a damp cloth and mild detergent, do not use bleach or abrasive cleaners.
- From time to time check that there are no loose screws on this unit.
- This product should not be discarded with household waste. Take to your local authority waste disposal center.

Handy Hints

- Assemble all parts and bolts loosely during assembly, only once the product is complete should you fully tighten the bolts.
- Regularly check and ensure that all bolts and fittings are tightened properly.

Warning

In order to help prevent overturning, please follow these instructions.

- Use the anti tip strap or wall fixing method provided (if applicable).
- Do not allow children to climb or hang on the furniture.
- Do not open more than one drawer at a time.
- Do not place heavy items in the top drawers.
- Do not place heavy items on top of the furniture, unless the furniture has been designed for this purpose.
- Please note that only the anti tip strap is provided. You will need to provide wall plugs and screws applicable for your wall type.

Customer Service Guide



Thank you for choosing our product! We are committed to providing you with excellent service. If you find any missing parts, damaged packaging, or product damage after receiving all packages, please follow the steps below to quickly contact our customer service team. We will do our best to resolve your issue.

1. Missing Parts

Verify Parts:

1. Refer to the “Parts List” in the manual to verify the name, specifications, and quantity of the missing parts.
2. Take a clear photo of the parts list and mark the missing parts with detailed information, e.g., “Missing 5 pieces of M6×30mm screws.”

Contact Us:

By Email:

Send an email with the subject line “Missing Parts Issue.” Include the following in the email:

- A description of the missing parts and a photo of the parts list.
- Order details (order number, purchase platform, purchase date).

2. Product or Packaging Damage

If it affects normal use:

Steps:

1. Take clear photos or videos showing the damaged parts and the extent of the damage (multi-angle shots are recommended).
2. Email the photos/videos along with order details with the subject line “Product Damage Issue.”

Resolution:

After verification, we will arrange for a replacement part, product exchange, or refund as quickly as possible.

If it does not affect normal use:

Steps:

1. Contact our customer service team
2. Provide a description of the damage and include relevant photos or videos.

Resolution:

We will provide repair guidance or an appropriate compensation plan based on the specific situation.

Helpful Tips

To process your issue efficiently, please prepare the following information:



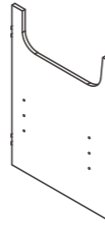

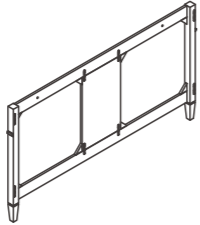
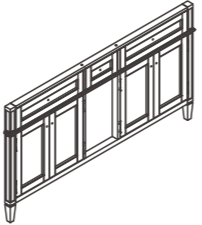
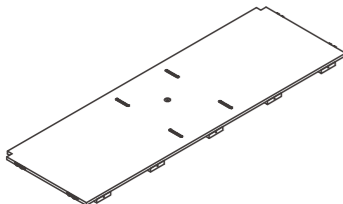
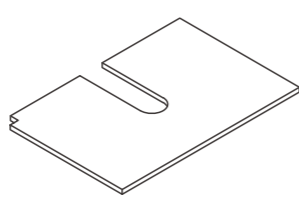
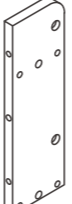



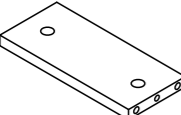
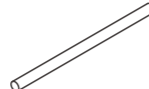
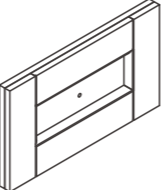
- Order details (order number, purchase platform, purchase date).
- Clear photos or videos.
- We are committed to providing quick and professional solutions, no matter the size of the issue, to ensure your satisfaction.

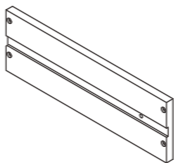
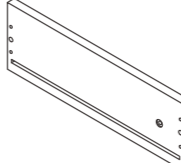
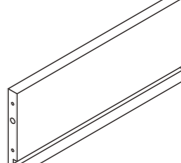
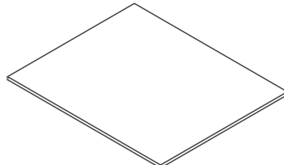

Thank you for your trust and support!
We hope you enjoy using our product!

Parts List - Panels



Please check you have all the panels listed below.

		
1 702x460x14mm x1	2 702x460x14mm x1	3 668x485x14mm x1
		
4 668x485x14mm x1	5 1530x833x45mm x1	6 1530x833x45mm x1
		
7 1496x485x32mm x1	8 591x400x14mm x2	9 278x88x14mm x1
		
10 278x88x14mm x1	11 278x88x14mm x1	12 278x88x14mm x1
		
13 199x88x14mm x4	14 210x12x12mm x4	15 262x153x30mm x3

		
16 300x98x12mm x3	17 300x98x12mm x3	18 231x98x12mm x3
		
19 668x485x5mm x3	20 142x48x48mm x1	

Parts List - Fittings



Please check you have all the fittings listed below.

Note: The quantities below are the correct amount to complete the assembly. In some cases more fittings may be supplied are required.

		
A Ø6x35mm x16	B Ø14.5x12mm x16	C Ø8x30mm x20
		
D Ø8xØ4x32mm x24	E Ø6x30mm x12	F Ø25xØ25mm x10
		
G Ø5/32"x19mm x7	H Ø5/32"x15mm x3	I M4x10mm x6
		
J Shelf pin x8	K Ø12x55mm x2	L Ø10xØ5x60mm x2
		
M Ø1/4"x16mm x2	N Ø8xØ4x25mm x10	

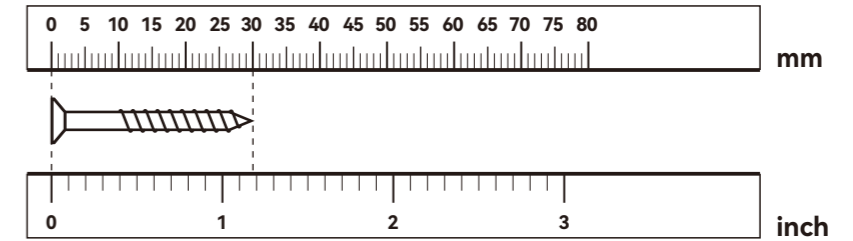
Tools required



Phillips screwdriver
(medium & large)

Ruler

Use this ruler to help correctly identify the screws



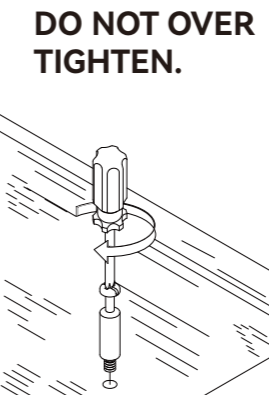
The screws length is measured from the head to the point (30mm screw shown).



Using Camlocks

Step 1

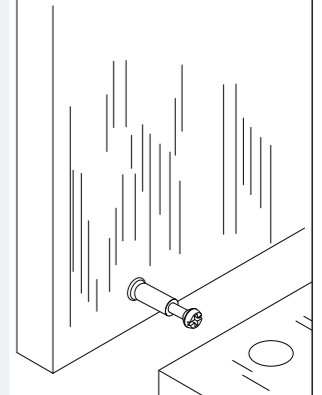
Connect the male camlock as directed in the assembly instructions using a screwdriver.



DO NOT OVER TIGHTEN.

Step 2

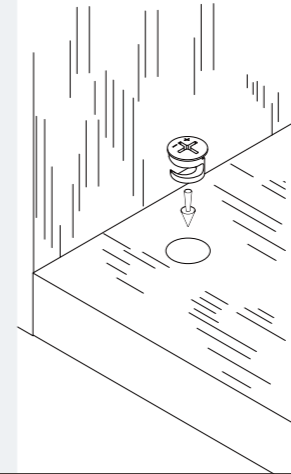
Push the male camlock into the entry hole.



Step 3

Insert the female camlock as shown in the instructions.

Note: ensure that the arrow on the top of the camlock points towards the entry hole for the male camlock.

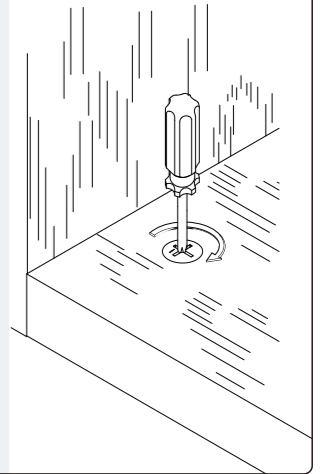


Step 4

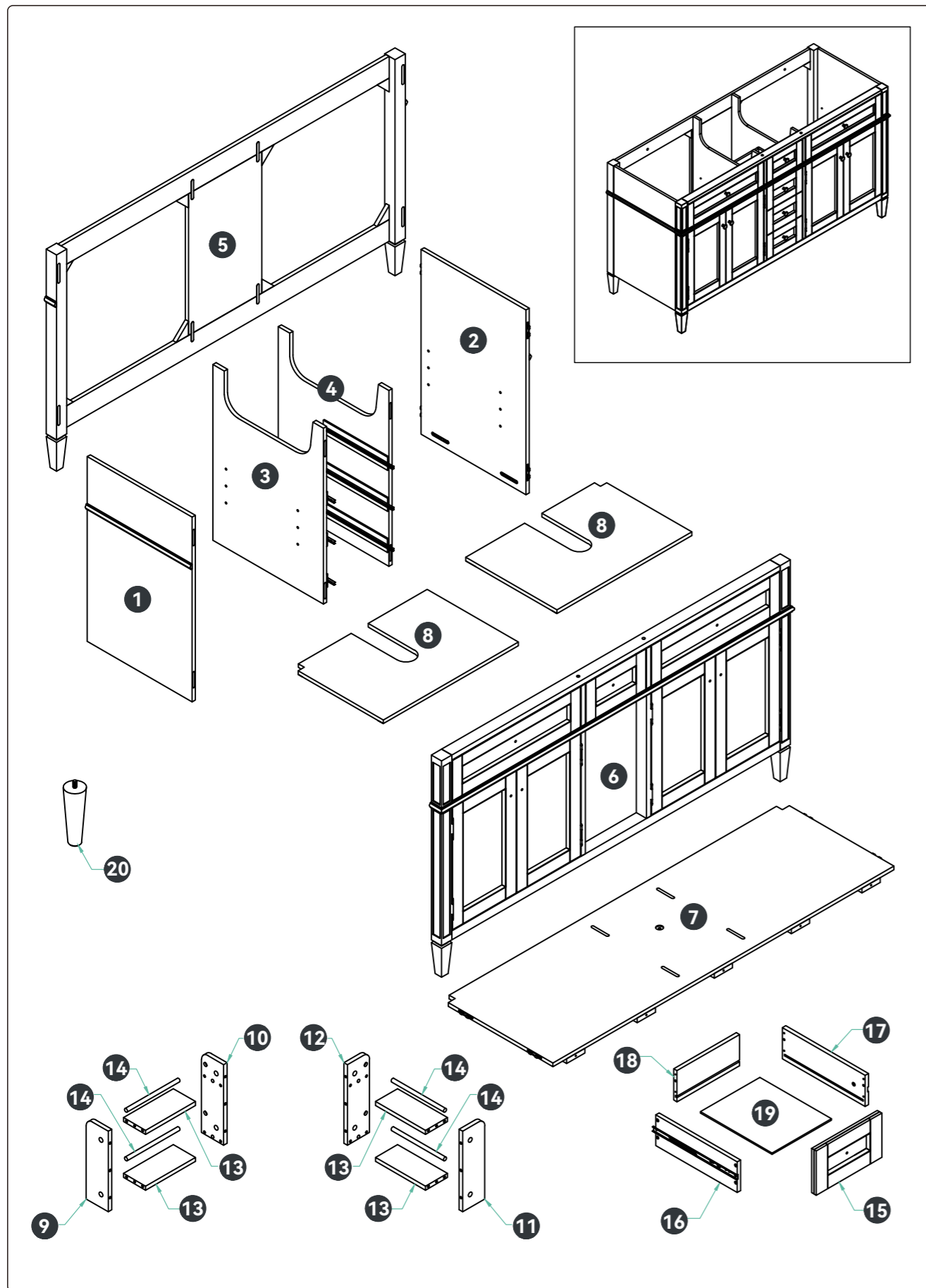
Turn the female camlock clockwise with a screwdriver.

You should feel a click when the camlock is locked in place.

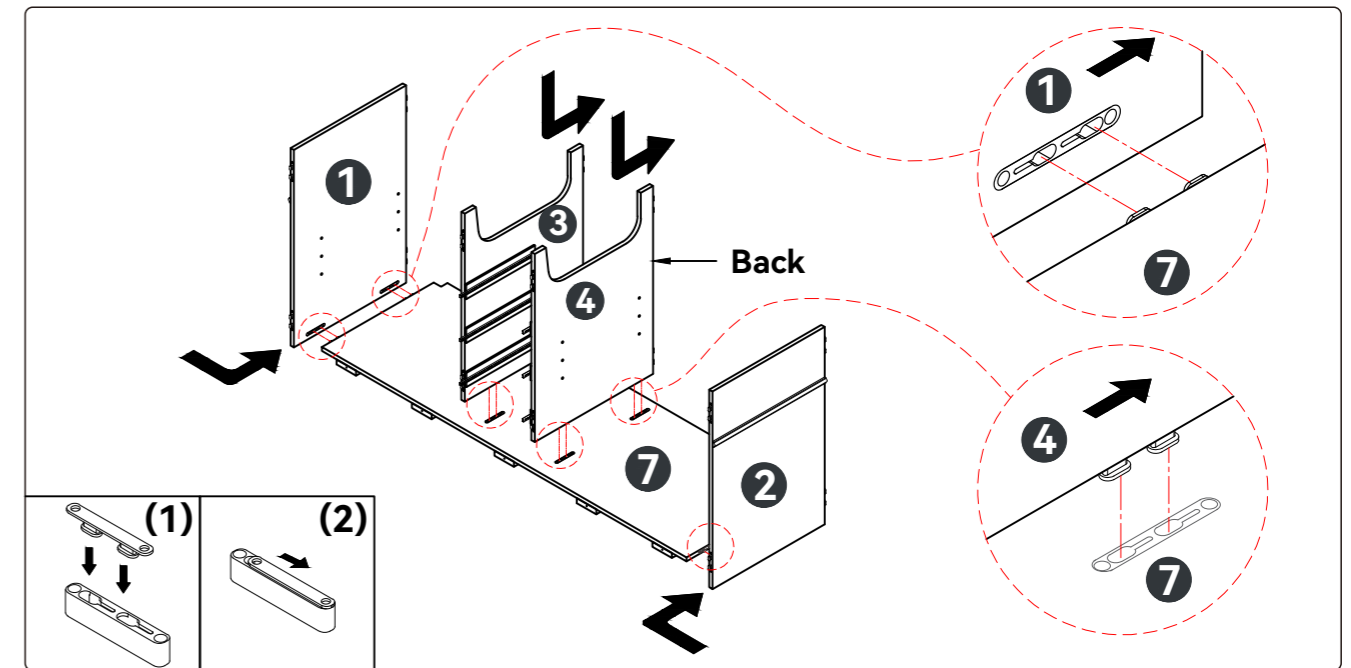
The joint is now secure.



Assembly Instructions



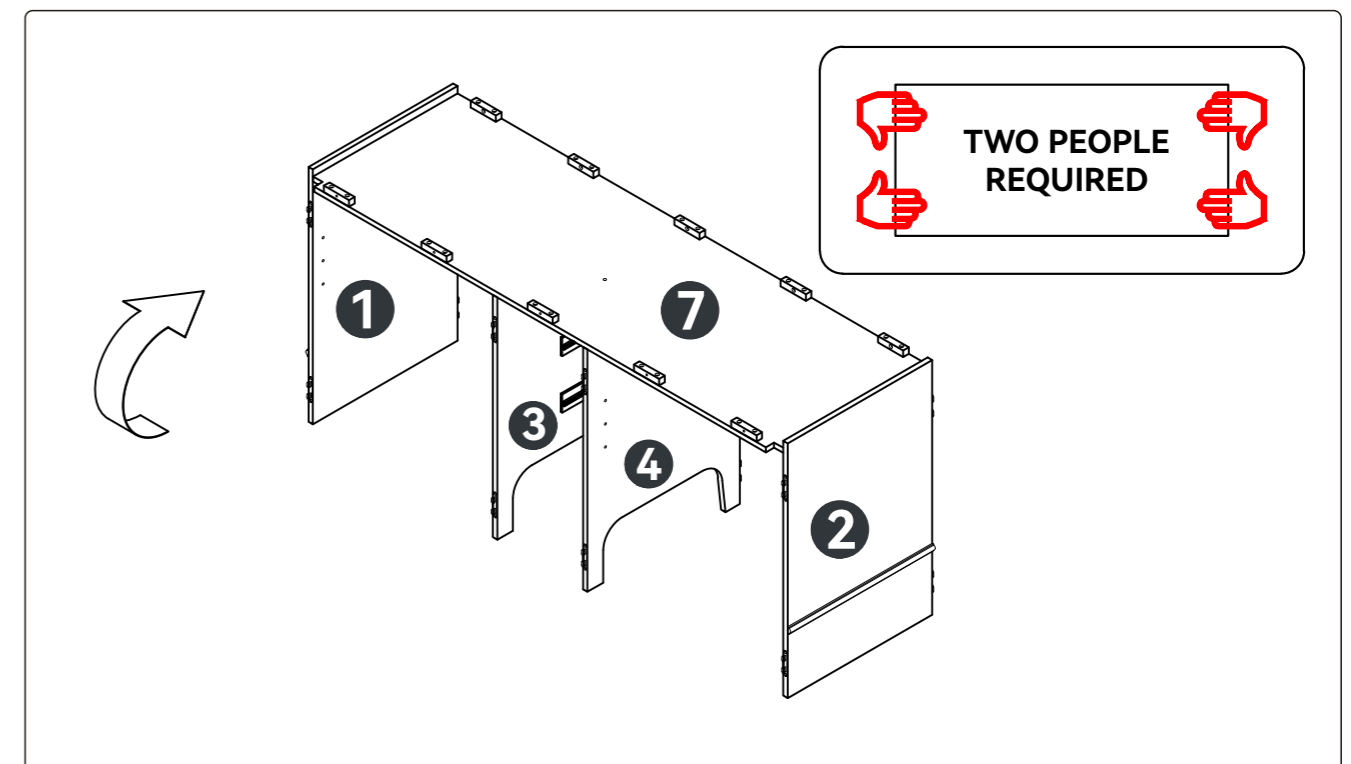
Step 1



Attach Parts (1,2,3,4) to Part (7), Push parts (1,2,3,4) in the direction of the arrow.

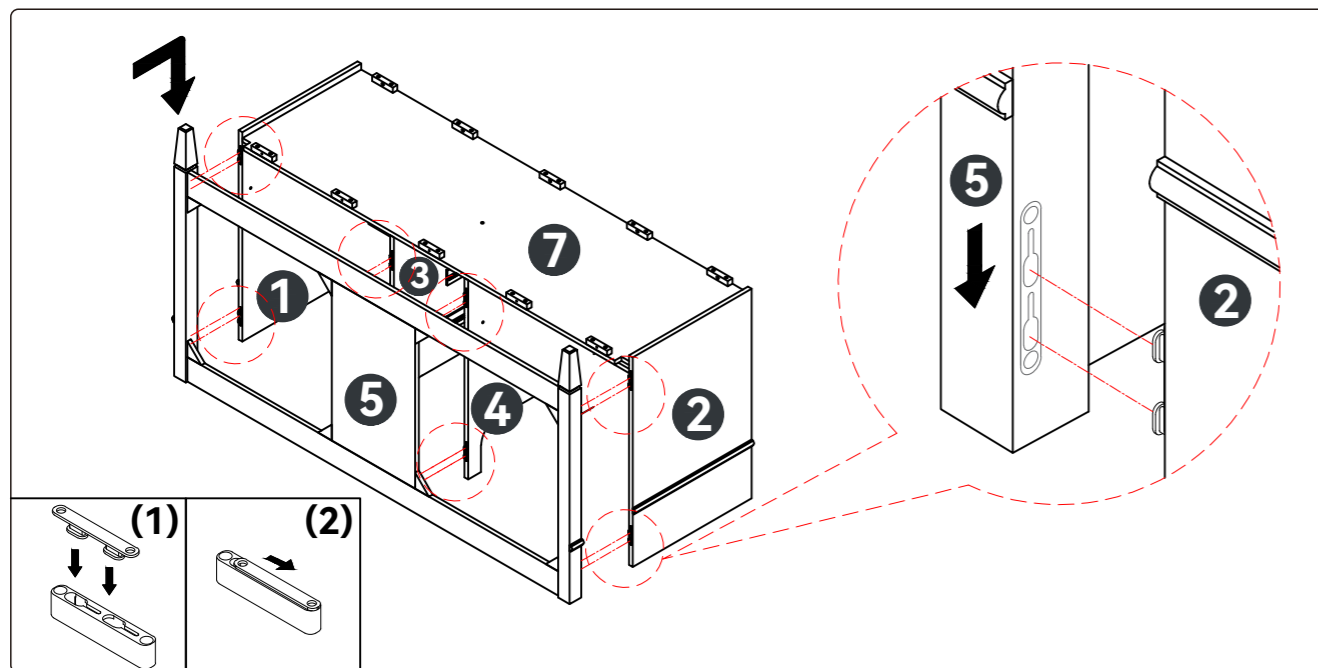
Note: Push the components gently until the front ends are aligned. Do not use excessive force.

Step 2



Flip the pre-assembled frame backwards 180 degrees, and place it on a flat surface.

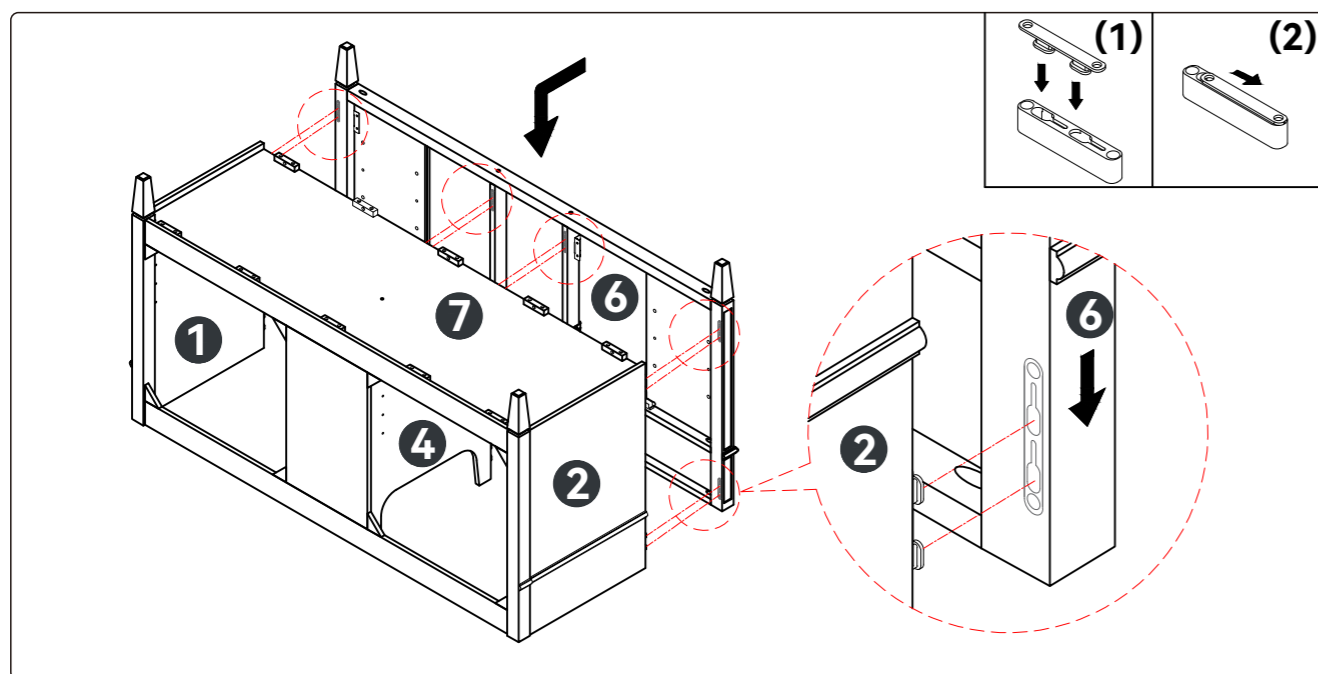
Step 3



Attach Part (5) to Parts (1,2,3,4), Push part (5) in the direction of the arrow.

Note: Ensure all the hardware on the Parts(1,2,3,4) is aligned and inserted into the holes before pushing the Part (5).

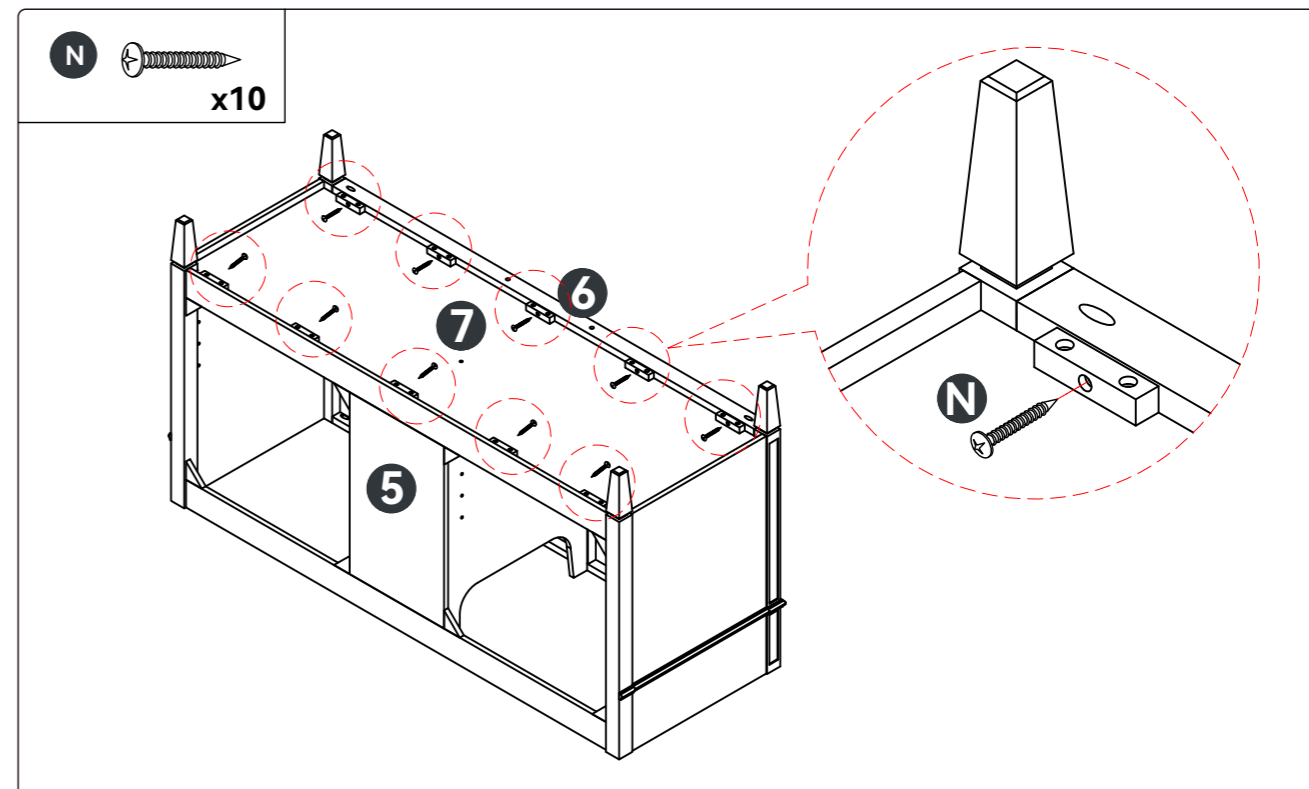
Step 4



Attach Part (6) to Parts (1,2,3,4), Push part (6) in the direction of the arrow.

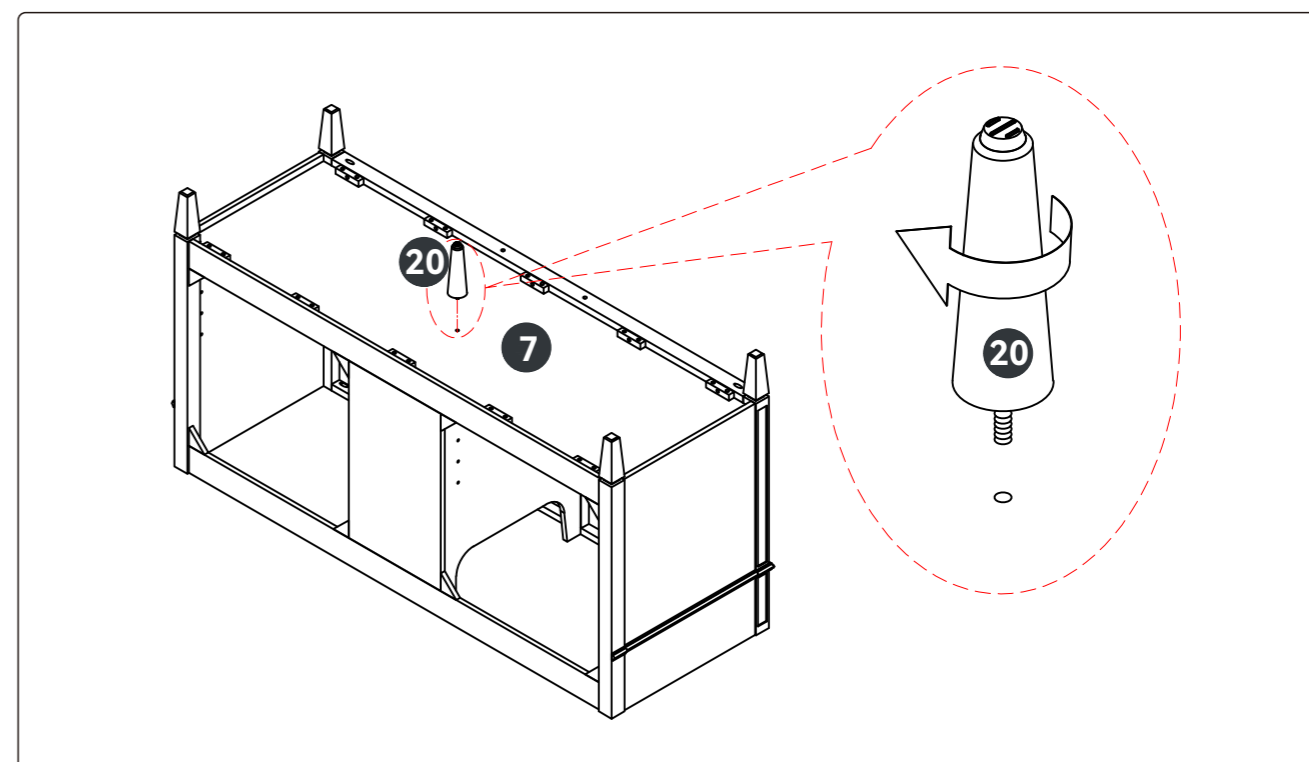
Note: Ensure all the hardware on the Parts(1,2,3,4) is aligned and inserted into the holes before pushing the Part (6).

Step 5



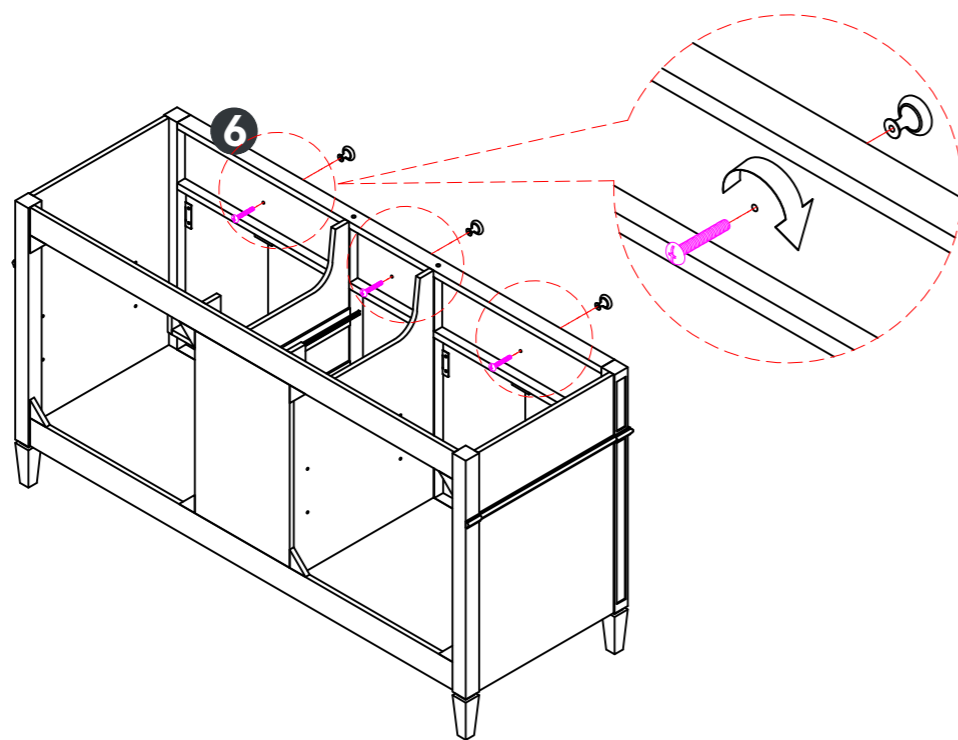
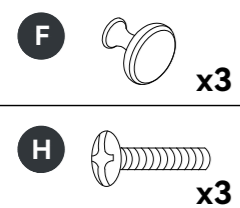
Secure Parts (5), (6) and (7) with Screw (N) using a screwdriver.

Step 6



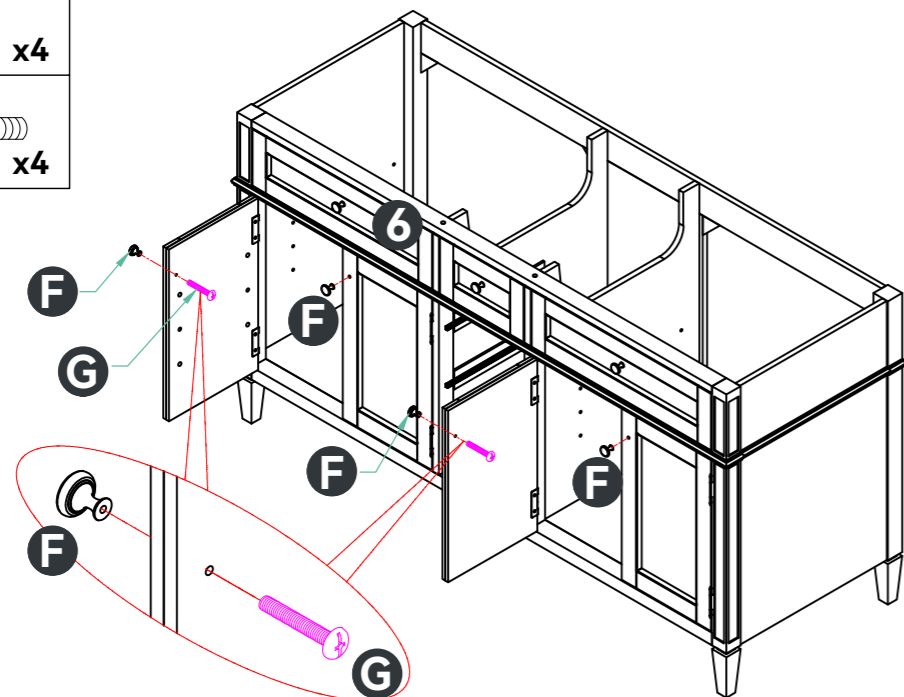
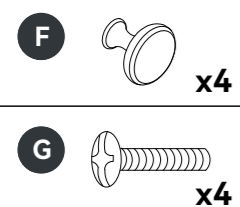
Attach the Center Leg (20) to the Part (7), tighten it by hand in a clockwise direction.

Step 7



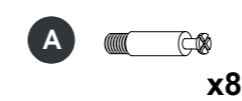
Secure Handles (F) to Part (6) with Screw (H) using a screwdriver.

Step 8

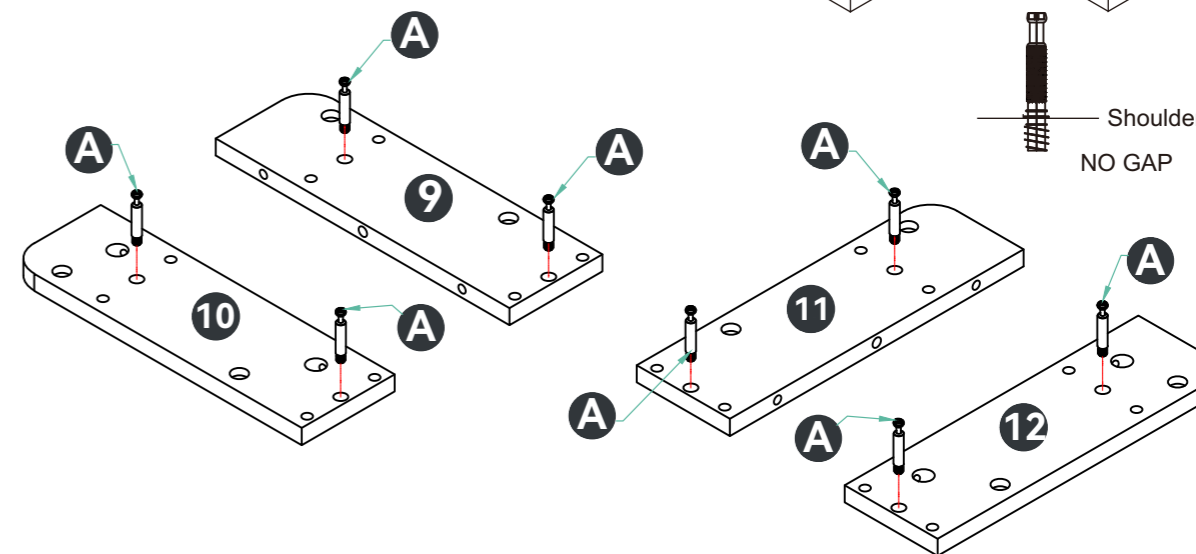
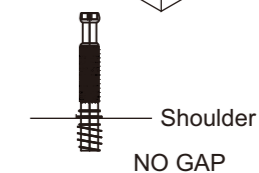
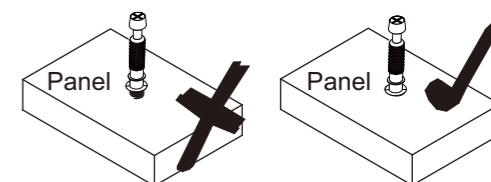


Secure Handles (F) to the doors on Part (6) with Screw (G) using a screwdriver.

Step 9

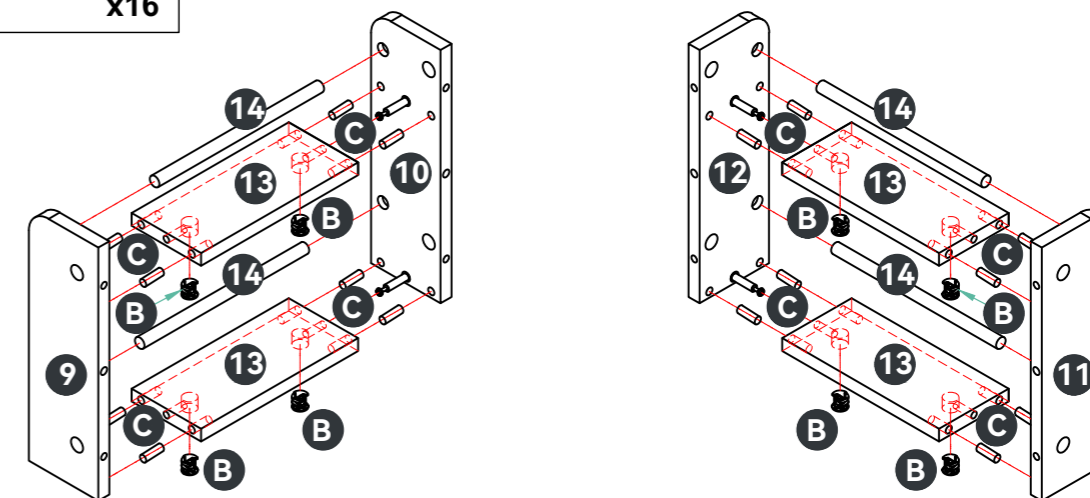
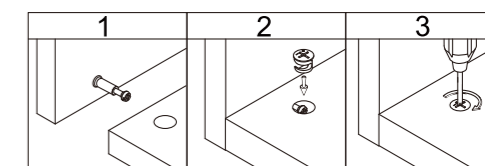
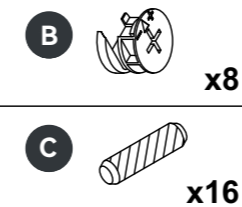
**CAM-LOCK**

Tighten until shoulder is flush with panel. Do not overtighten or undertighten (see example)



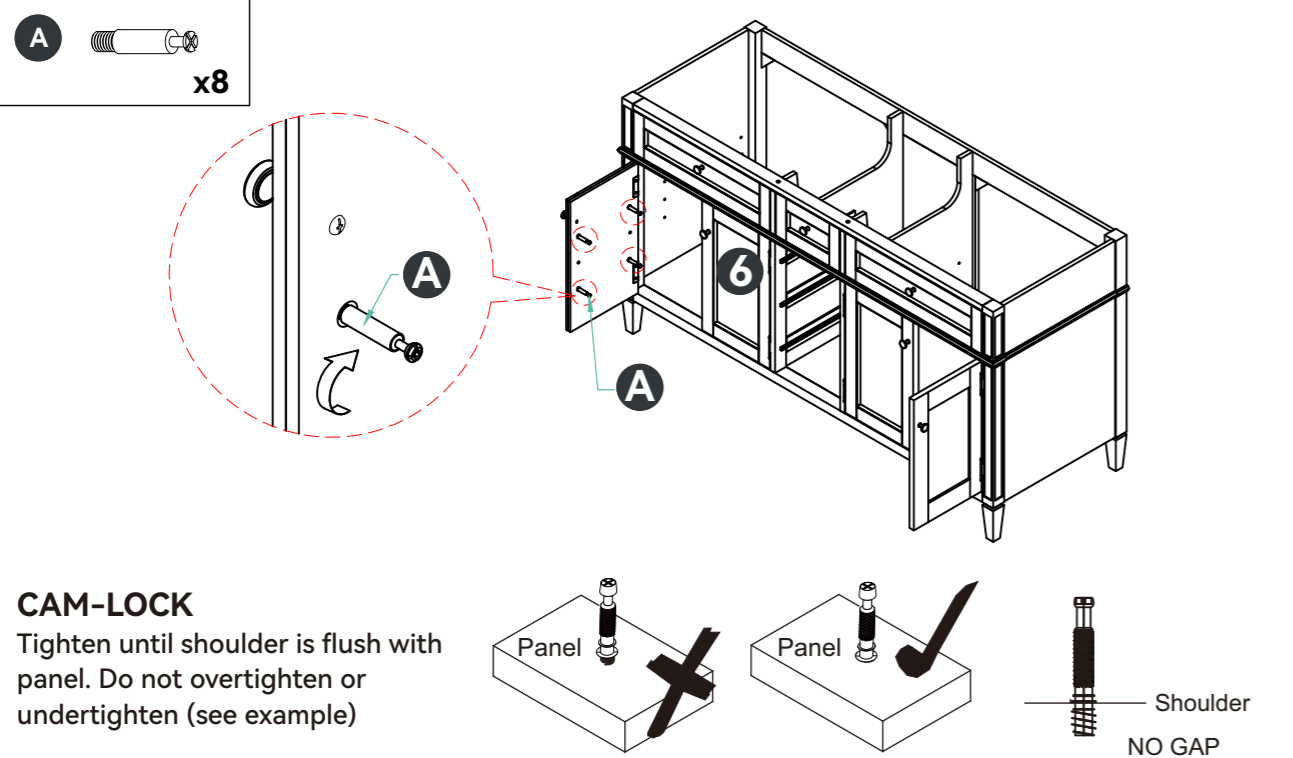
Attach Male Cam Lock (A) to Parts (9,10,11,12) with a screwdriver.

Step 10



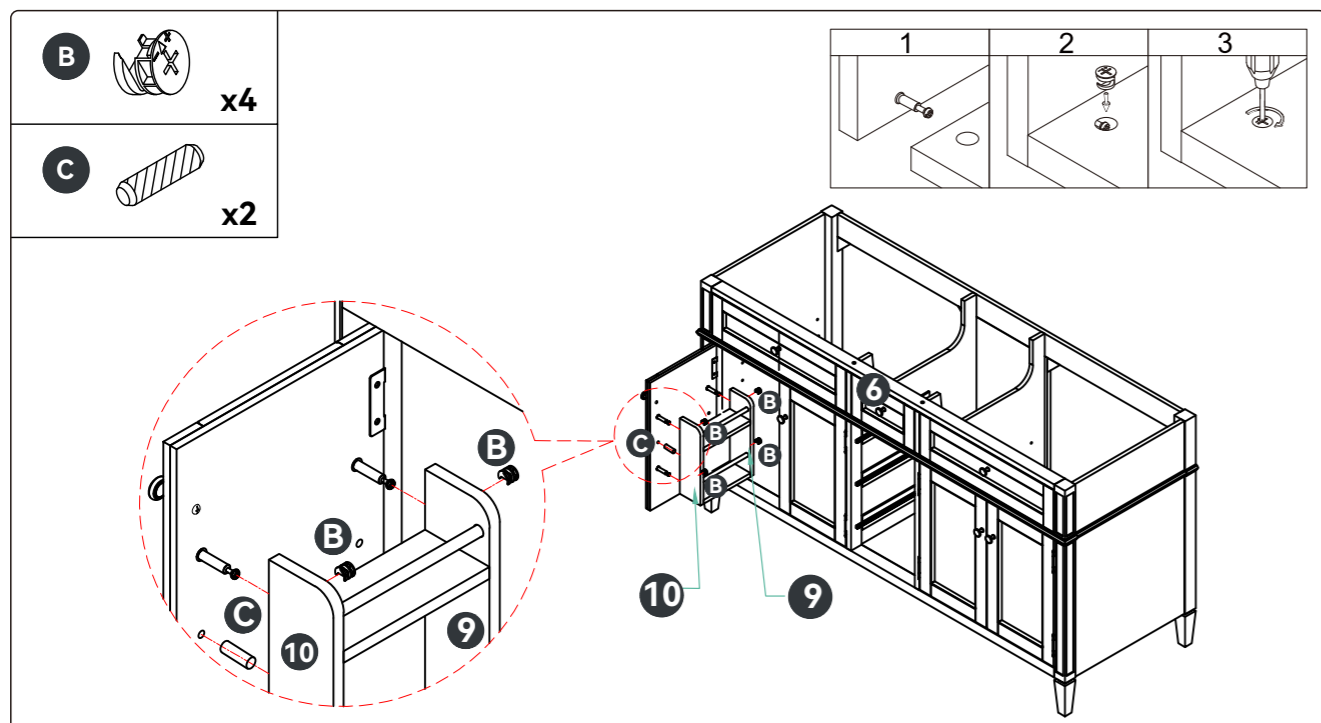
- Insert Wooden Dowels (C) into Parts (13).
- Attach Parts (13,14) to Parts (9,10) and Parts (11,12), then insert Female Cam Lock (B) to Parts(13) and twist to secure.

Step 11



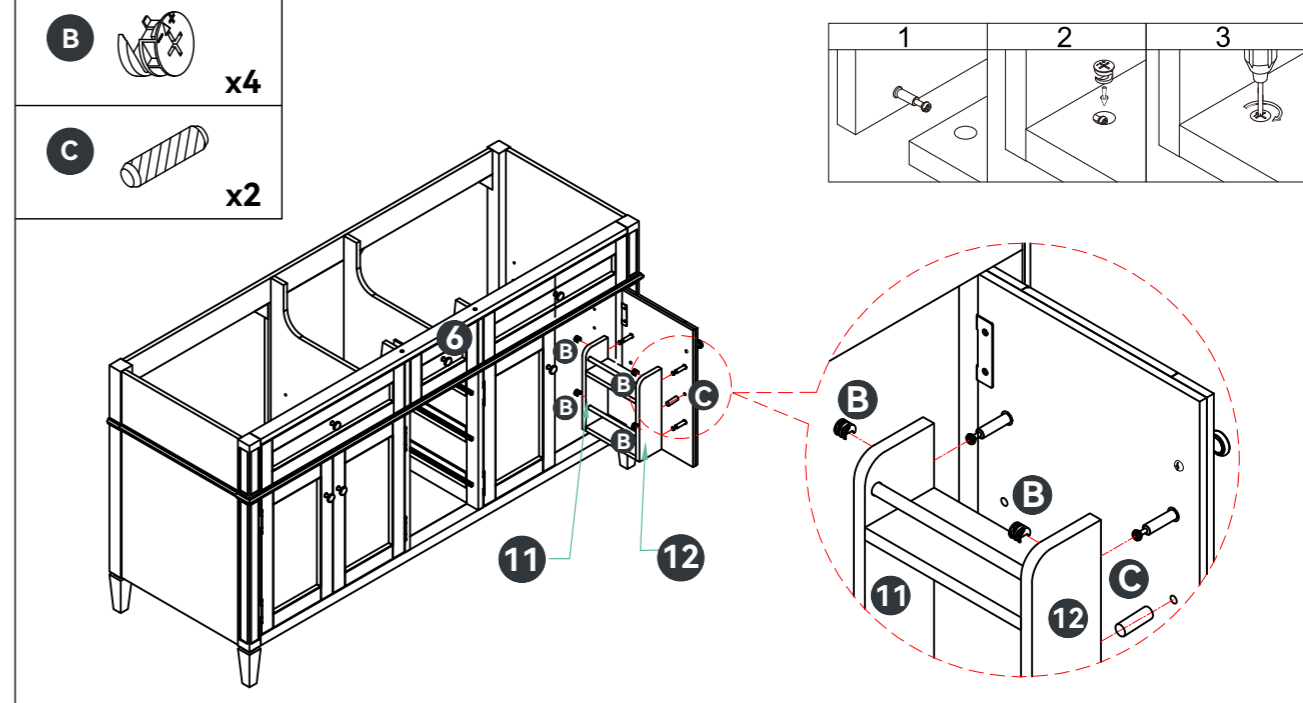
Attach Male Cam Lock (A) to the doors on Parts (6) with a screwdriver.

Step 12



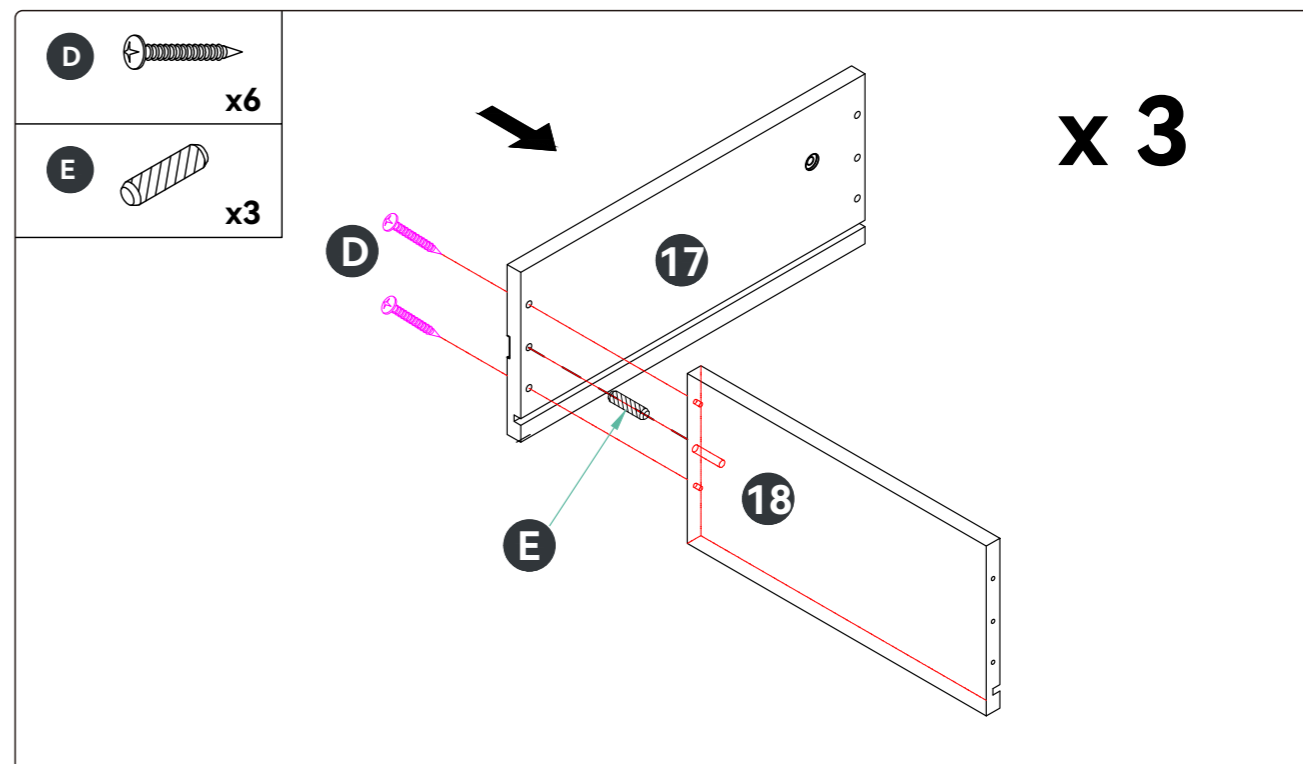
- Insert Wooden Dowels (C) into the left doors on Part (6).
- Attach the pre-assembled Frame (9,10) to the left door, then insert Female Cam Lock (B) to Parts(9,10) and twist to secure.

Step 13



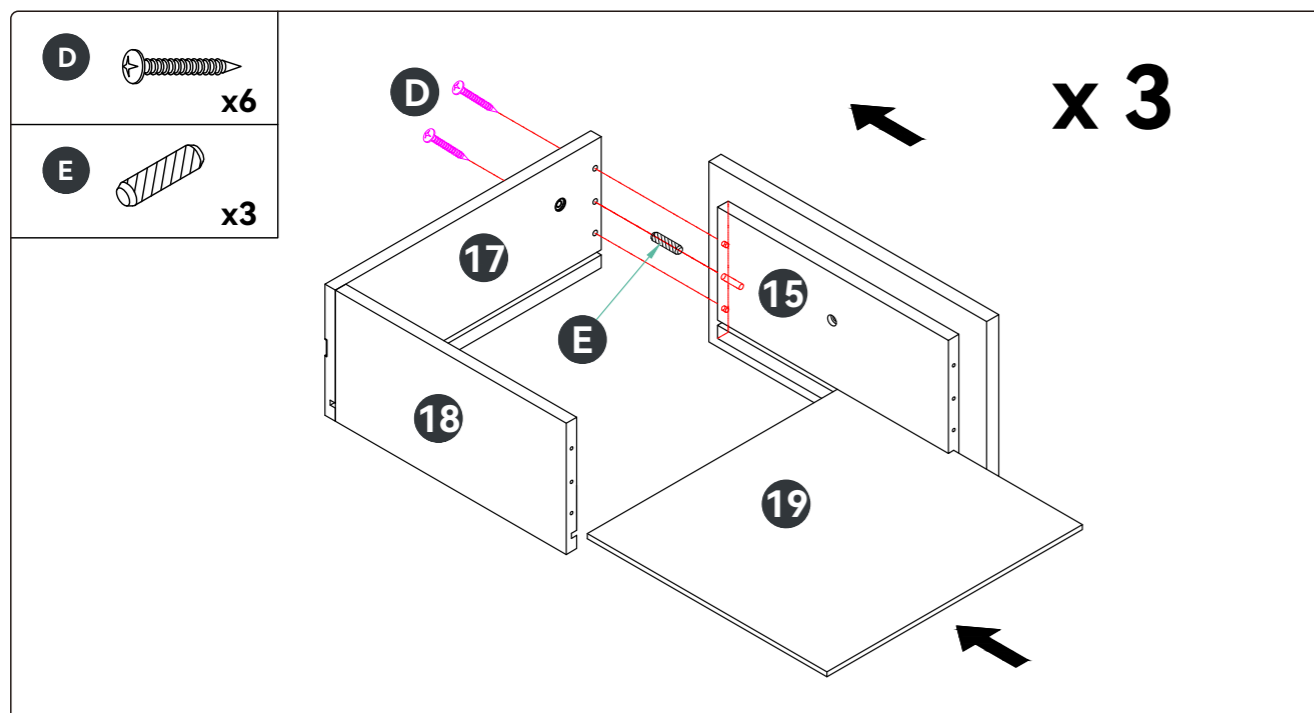
- Insert Wooden Dowels (C) into the right doors on Part (6).
- Attach the pre-assembled Frame (11,12) to the right door, then insert Female Cam Lock (B) to Parts(11,12) and twist to secure.

Step 14



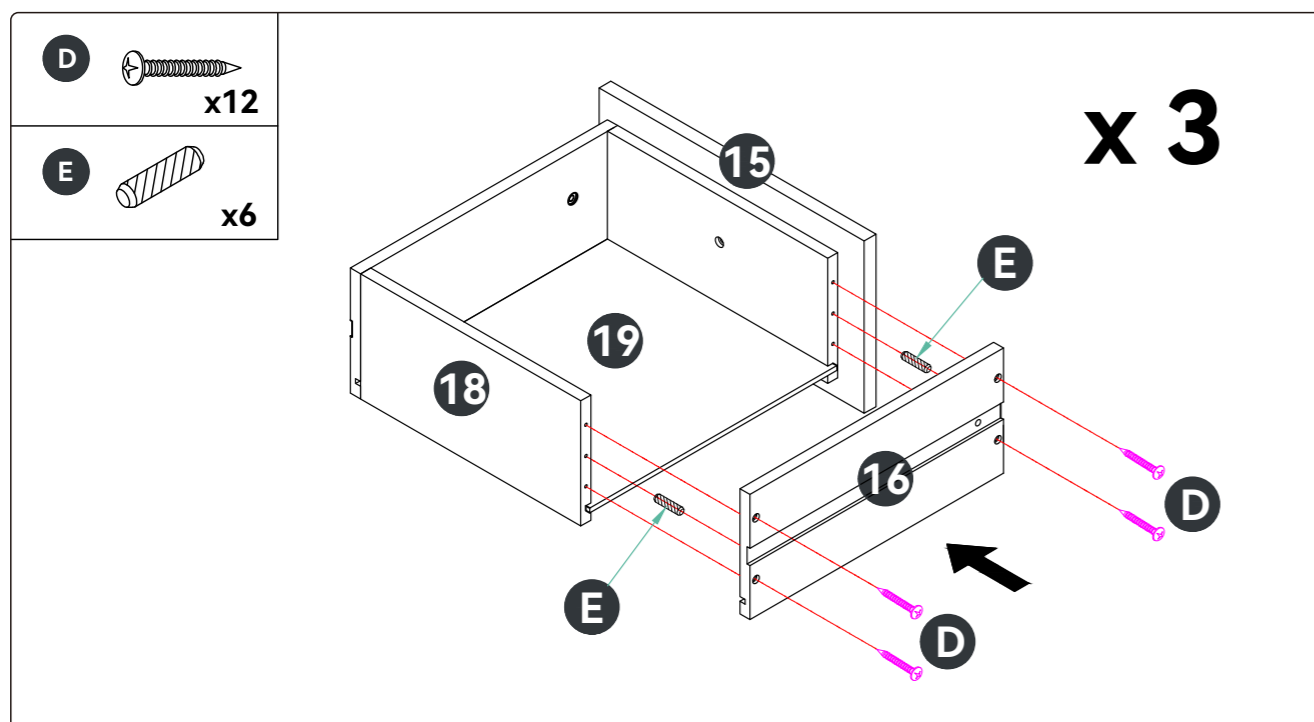
- Insert Wooden Dowels (E) into Part (18).
- Attach Part (17) to Part (18), then tighten the screws (D) with a screwdriver.

Step 15



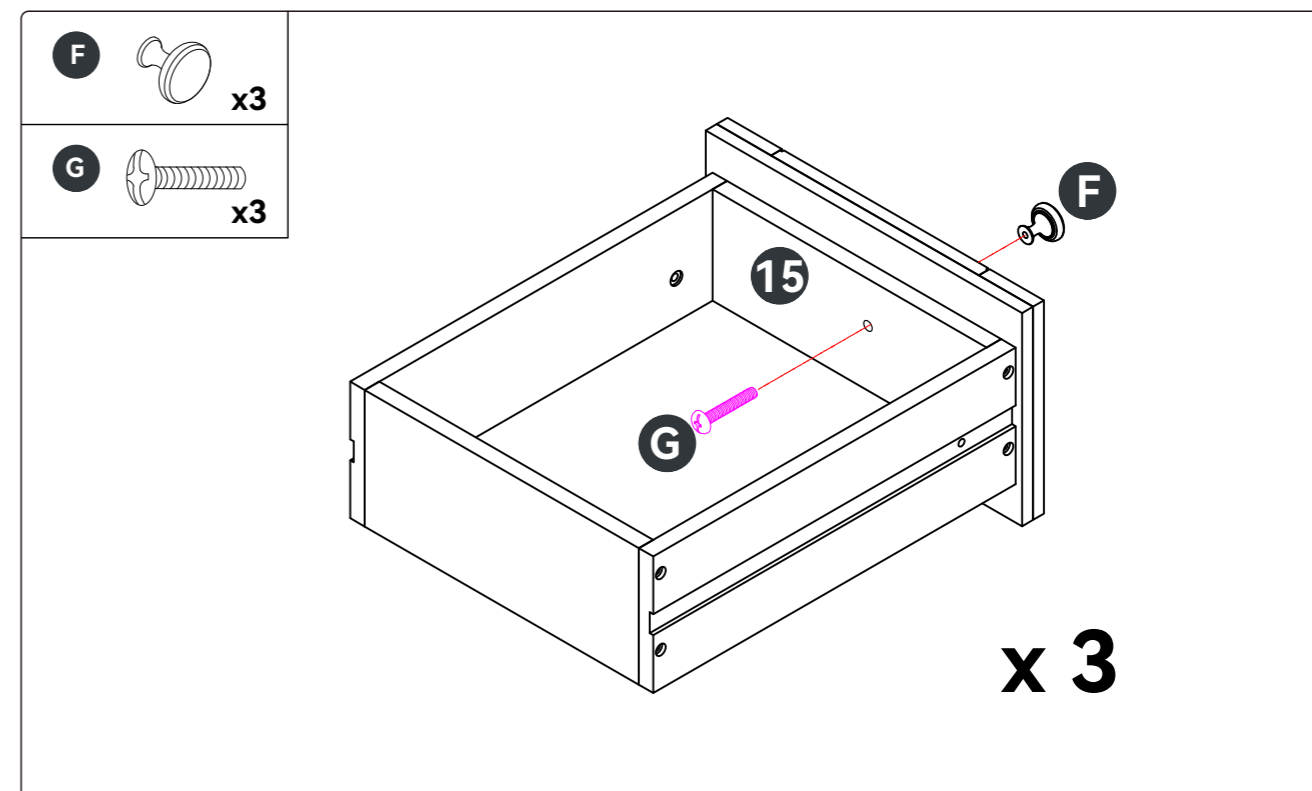
- Insert Wooden Dowels (E) into Part (15).
- Attach Part (15) to Part (17), then tighten the screws (D) with a screwdriver.
- Insert Part (19) into the groove of Parts (15,17,18).

Step 16



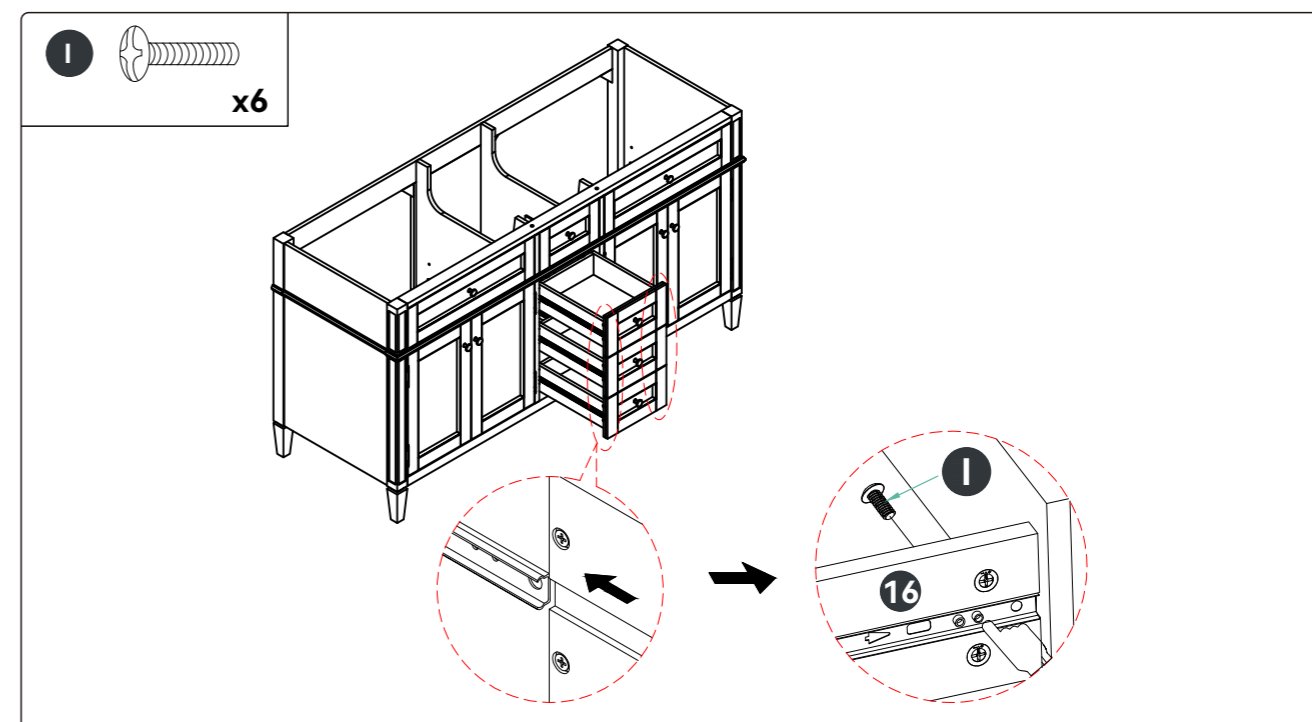
- Insert Wooden Dowels (E) into Parts (15,18).
- Attach Part (16) to Parts (15,18,19), then tighten the screws (D) with a screwdriver.

Step 17



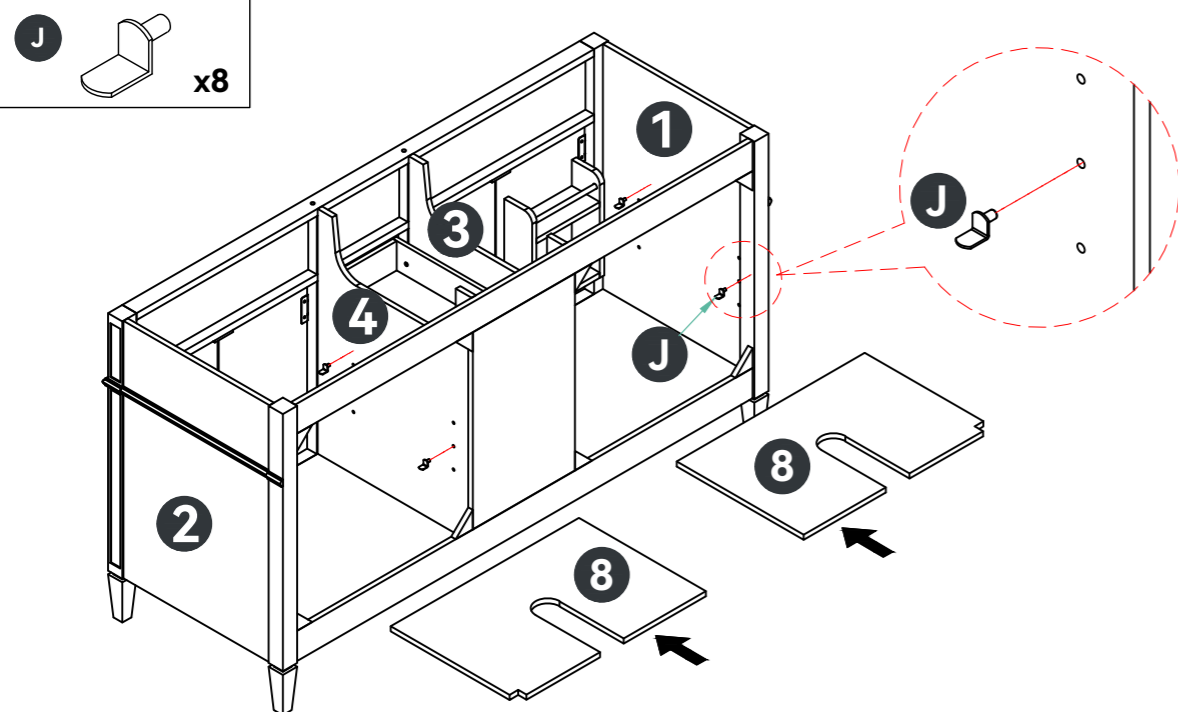
- Secure Handle (F) to Part (15) with Screw (G) using a screwdriver.

Step 18



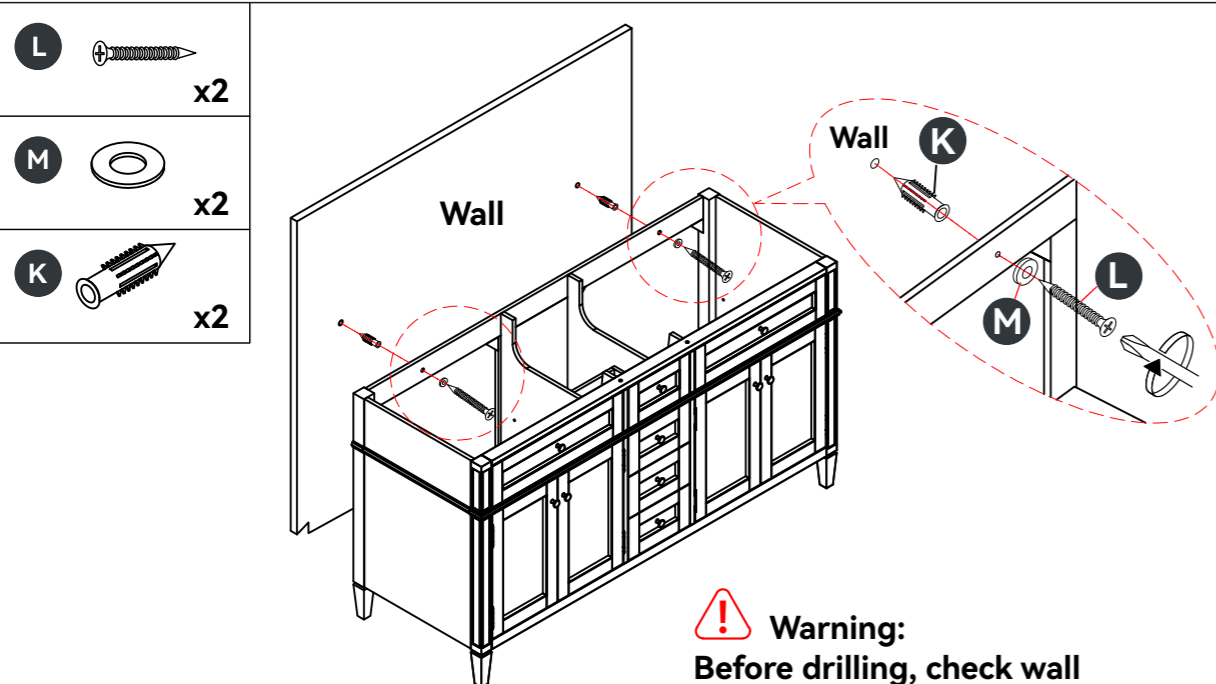
1. Check Before Installing: Ensure the rails are secure and ball bearings are in place.
2. Prepare: Slide the ball bearings to the front of the rails before closing.
3. Secure the Drawer: Use screw (I) to fasten the Drawer slider with parts (16, 17).

Step 19



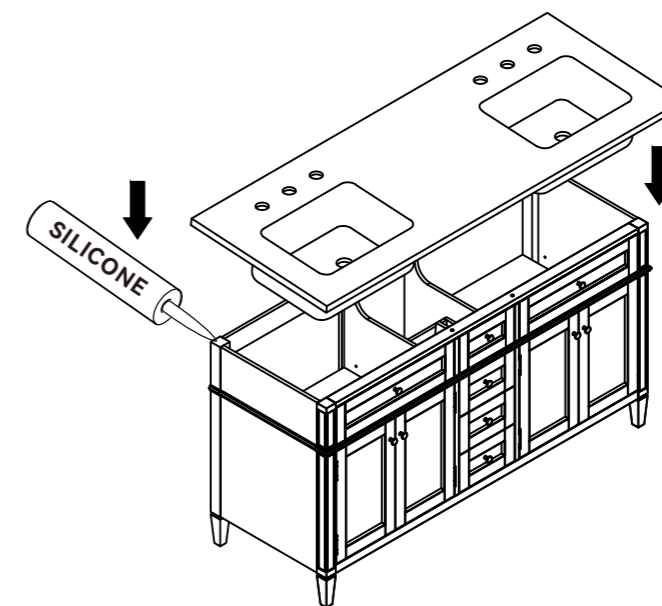
Insert Shelf Pin (J) into Parts(1,2,3,4), there are 3 levels of position from which you can choose, then place Part (8) on top of the Shelf pin (J).

Step 20



Secure vanity to the wall by using appropriate wall plus (K), Flat washer (M) and screw (L).

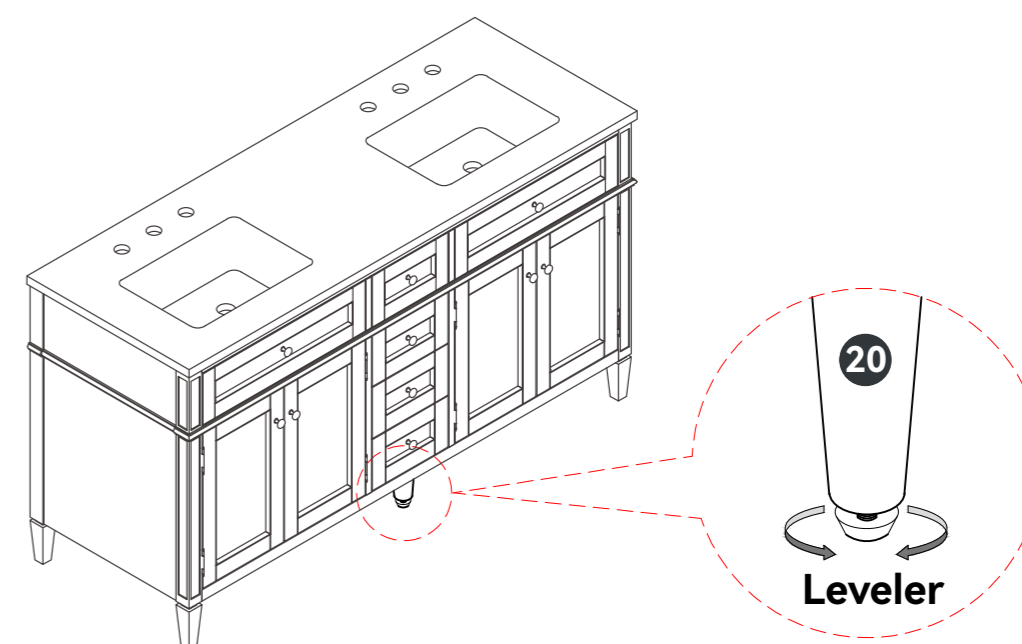
Step 21



- Apply a thin layer of silicone sealant around the top of the vanity, and then carefully secure the sink in place.
- Remove excess silicone sealant with a damp rag.

Note: Place the top of the vanity, the back should be flush with the cabinet, keep both sides consistent.

Step 22



Note: If the vanity sags, adjust the Center Support Leg (20) until all feet make contact with the floor and the vanity is balanced.

A Guide to Wall Mounting & Fixings



Important Note:


- If plastic wall plugs (rawl plugs) are supplied with your product, e.g.:
- these are only suitable for use in masonry walls.
- If you are in any doubt about the correct wall plugs for your wall, seek professional advice.
- Failure of the product due to using the incorrect fixings is the responsibility of the installer.



Important : When drilling into walls always check that there are no hidden wires or pipes etc.

Make sure that the screws and wall plugs being used are suitable for supporting your unit. Consult a qualified tradesperson if you are unsure.

Hints:

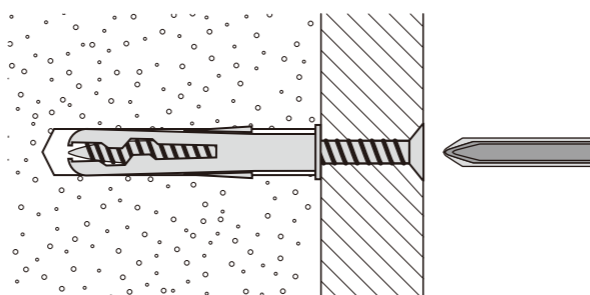
- 1: General rule:  always use a larger screw and wall plug if you are not sure.
- 2: Ensure you use the recommended drill bit to match the wall plug and hole size.
- 3: Ensure you drill the hole horizontally; do not force the drill or enlarge the hole.
- 4: Take extra care when drilling high walls, ceilings and ceramic tiles. Ensure wall plugs are inserted beyond the thickness of the ceramic tiles to avoid the tiles splitting or cracking.
- 5: Ensure wall plugs are well fitted and are a tight fit in the drilled hole.

Types of walls

You can use one of the following types of wall plug if your walls are made of brick, breeze block, concrete, stone or wood.

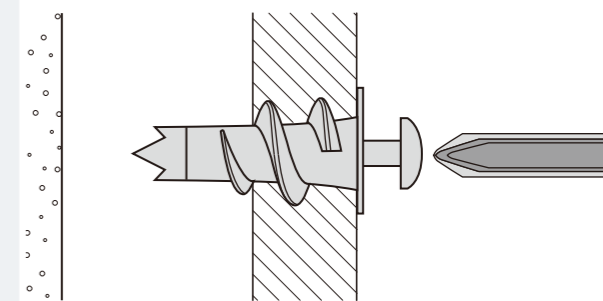
1. "General Purpose" wall plug

Generally aerated blocks should not be used to support heavy loads, use a specialist fitting in this case. For light loads, general purpose wall plugs can be used.



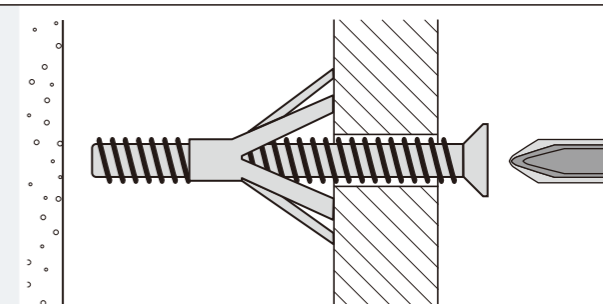
2. "Plasterboard" wall plug

For use when attaching light loads onto plasterboard partitions.



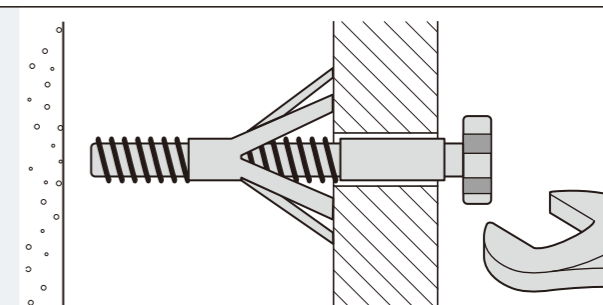
3. "Cavity Fixing" wall plug

For use with plasterboard partitions or hollow wooden doors.



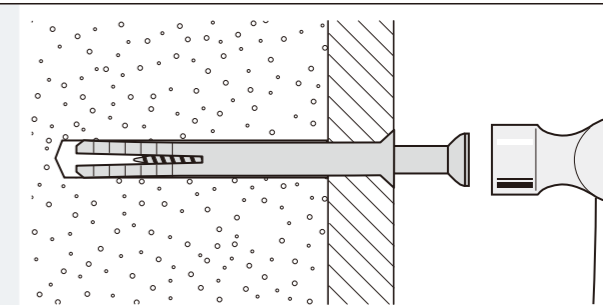
4. "Cavity Fixing – Heavy Duty" wall plug

For use when fitting or supporting heavy loads such as shelving, wall cabinets and coat racks.



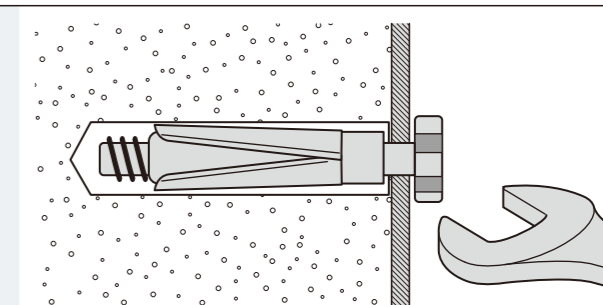
5. "Hammer Fixing" wall plug

For use with walls stuck with plasterboard. The hammer fixing allows it to be fixed to the wall rather than the plasterboard. Always check the fixing is secure to the retaining wall.



6. "Shield Anchor" wall plug – heavy loads

For use with heavier loads such as TV and HiFi speakers and satellite dishes etc.



Care & Maintenance



Safety: always check the fitting and location to ensure your safety in and around the home.

Fitting: from time to time check the fitting to ensure the wall plugs or screws do not become loose.