



SANYCASA

Undermount Workstation Sink Installation Guide

27" x 19" | 30" x 19" | 32" x 19" | 33" x 19"

Single Bowl | Double Bowl

✉ E-Mail: sanycasaservice@163.com


☎ Customer Service: 877-848-5067

🕒 Hours: Mon-Fri, 8 AM - 5 PM

Thank you for shopping with SANYCASA!

Please keep the packaging box and materials until your product is completely installed.

If you have any questions, need technical assistance, or encounter any issues with your product, feel free to reach out to our Customer Service Team:

 877-848-5067

 sanycasaservice@163.com

Our customer support team is here to help!

We would love the opportunity to assist you with any concerns. Your satisfaction is our top priority!

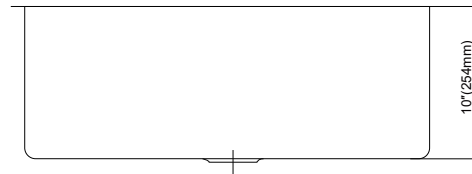
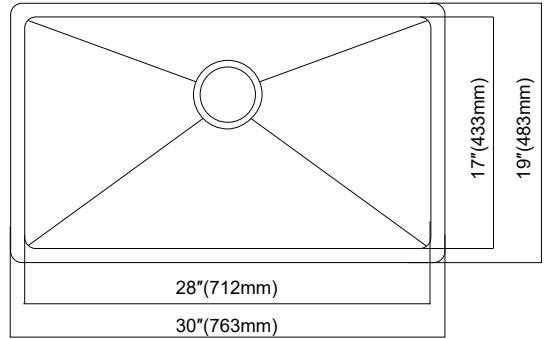
If for any reason this product does not meet your expectations, please be sure to repack this product in the original box and packaging material to avoid damage during transit.

MATERIAL

Premium 11-gauge thickness
304 Grade Stainless Steel
R10 rounded corner design, modern
and easy to clean
Anti-condensation coating, thick
silicone padding for noise reduction
Various user-friendly accessories

SPECIFICATION

Model:SC-KS-SB-30SS
Material:SUS304 Grade stainless steel
Material thickness:11-gauge
Outer Sizes: 30" x 19" x 10"
Inner Sizes: 28" x 17" x 10"
Installation Type: Undermount



IN THE BOX

NO.	Included Accessories	Quantity
1	Basket Strainer	1
2	Cutting Board	1
3	Colander	1
4	Folding Rack	1
5	Rinse Grid	1
6	Cut-out Template	1
7	Mounting Brackets	8

Prior to Installation

Please ensure that you have all the necessary components by verifying the parts list. If any part is missing or damaged, please contact SANYCASA Customer Service to request a replacement.

Before installation, carefully inspect the sink to ensure that it has not been damaged during shipping or handling.

Use the provided cut-out template from SANYCASA for accurate installation.

Note that it is not recommended to install the sink with a laminate countertop.

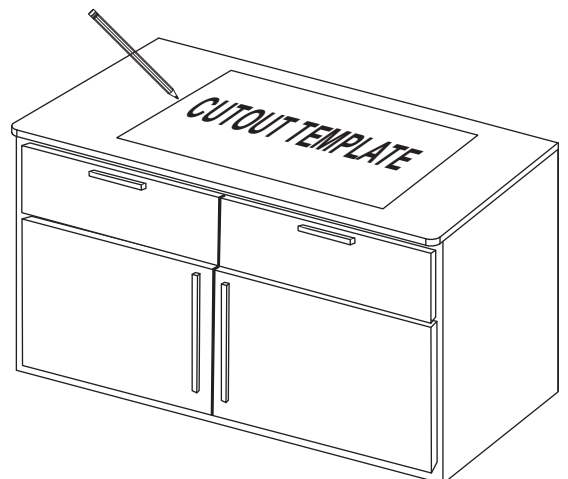
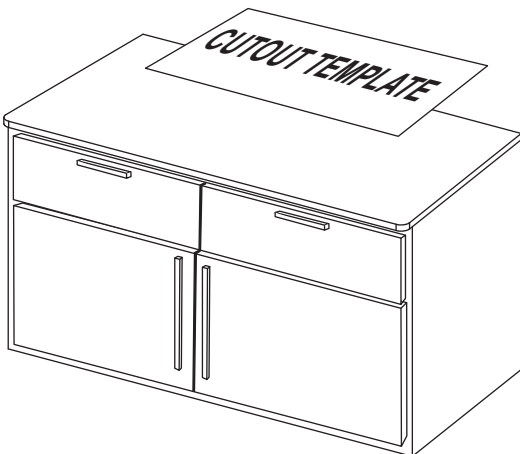
The installation instructions provide general guidelines for installing a SANYCASA Sink. For optimal results, it is advisable to hire a licensed professional to install all SANYCASA products.

STEP 1

Position the Template

1. Verify the accuracy of the cut-out template by aligning it with the actual sink to ensure a precise fit for the cut-out.
2. Position the cut-out template in the intended spot on the countertop.
3. Use a pencil to trace the template on the countertop.

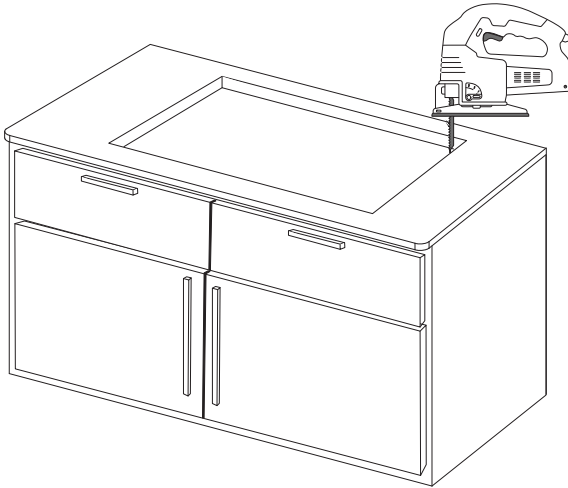
NOTE: Ensure that there is adequate clearance for the backsplash, faucet, and plumbing in relation to the sink.



STEP2

Cut Countertop

Carefully cut the countertop along the traced line to create the opening.

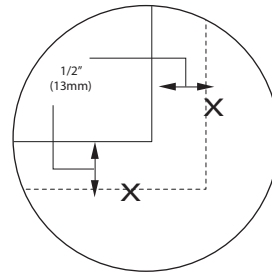
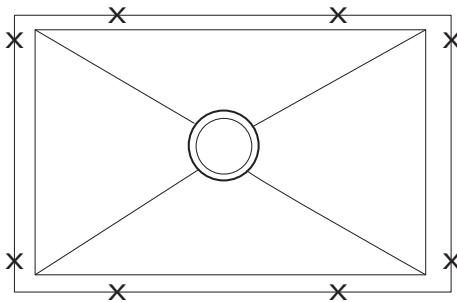


STEP3

Set up Mounting Brackets

Turn countertop over and align sink with countertop. Decide location for mounting brackets

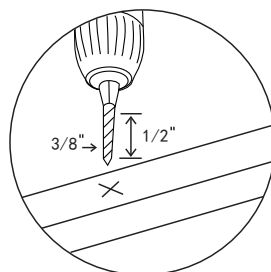
Mark holes



STEP4

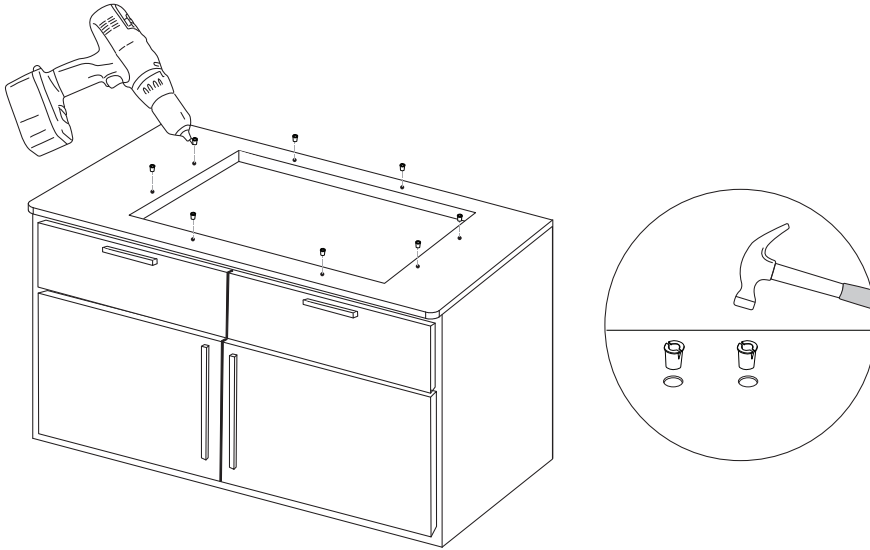
Drill Hole in Countertop

Use a drill with a 3/8" diameter bit to create hole in the countertop. Drill the hole to a depth of 1/2".



Install Anchors

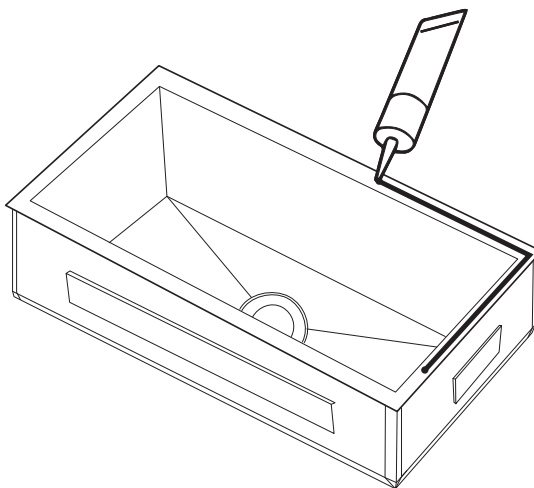
Insert anchors into the drilled holes and gently tap them with a hammer until they are flush with the surface.



STEP 5

Secure Sink to Countertop

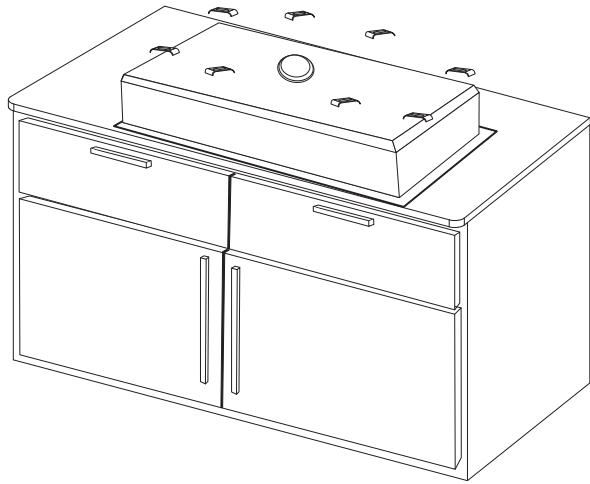
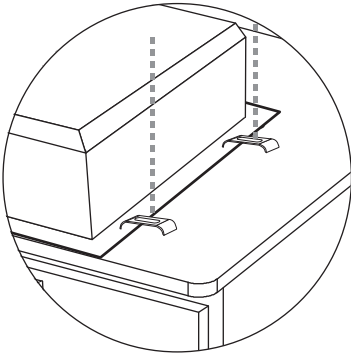
Apply a bead of silicone or your preferred adhesive around the rim of the sink. Ensure the alignment of the sink with the cutout in the countertop. Carefully position the sink over the cutout hole and firmly press it down into place.



STEP6

Attach Mounting Hardware

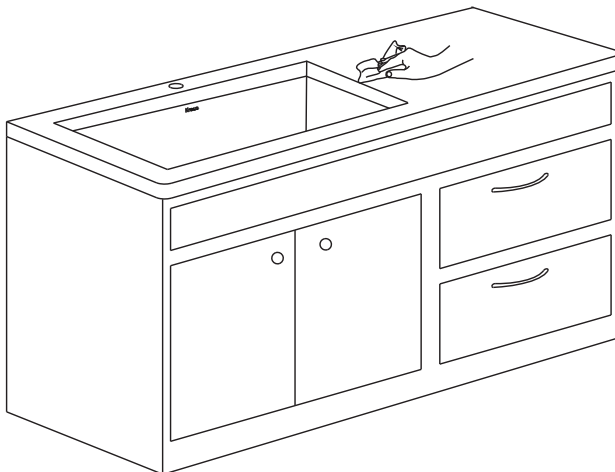
1. Attach the sink clips by placing the long end of the bracket flat against the sink lip. Screw the wing bolts through the brackets and bolt holes, and tighten them snugly.
2. Allow sealant to set for 30 – 60 minutes



STEP7

Carefully turn the countertop and

attached sink over. Remove any excess silicone and let silicone dry



Attention

1. Always use the sink and keep it dry and clean after use.
2. If there is rust on the sink, wipe it off with a gentle cloth soaked in vinegar and warm water. (Rust stains are the results of iron particles introduced by water, cookware, and steel wool pads that react with water to create rust)
3. For stubborn stains, use a mild cleanser and gently rub it along the lines.
4. Dry the sink as much as possible after use to prevent water stains.
5. Avoid leaving water in the sink for extended periods or using water containing heavy metals to prevent rust.
6. Please avoid leaving sponges, cloths, pads, soap, or other items on the sink surface for long periods to prevent iron precipitation and potential color changes or rust.
7. Be mindful of sharp and hard knives, forks, cooking utensils, and other objects that may impact the sink to avoid scratches or dents.
8. The decoration of the house should pay attention to the window ventilation to avoid the decoration materials issuing corrosive gas, and oxidation of the sink's surface, resulting in floating rust in the sink

Warranty

The warranty does not cover any damages or malfunctions that occur as a result of not following the provided instructions for installation, use, and maintenance.

- Complimentary attachments, if included, may have defects or imperfections.

Please inspect them carefully before use.

- Any deformation or damage to the sink caused by installation errors is not covered by the warranty.

Please make sure to carefully read and follow the instructions provided in the sink manual to ensure proper protection, functionality, and warranty coverage.

30 Days Return Policy

Unused and Unopened Items: We will issue a full refund upon receipt and inspection of your return.

Defective Items: We will allow a full refund after we have checked and confirmed that the item is defective exactly. Please note that items purchased directly from our website are only eligible for a refund directly from us. Orders shipped and sold will be processed by Amazon.com. You have 30 days to return an item via Amazon returns/refunds directly. We can accept 30-day return, and any product that is outside of the return window but within the product's specifications. Products that are within the product's specific warranty period may also be covered by the warranty. Please note that the warranty is not transferable.