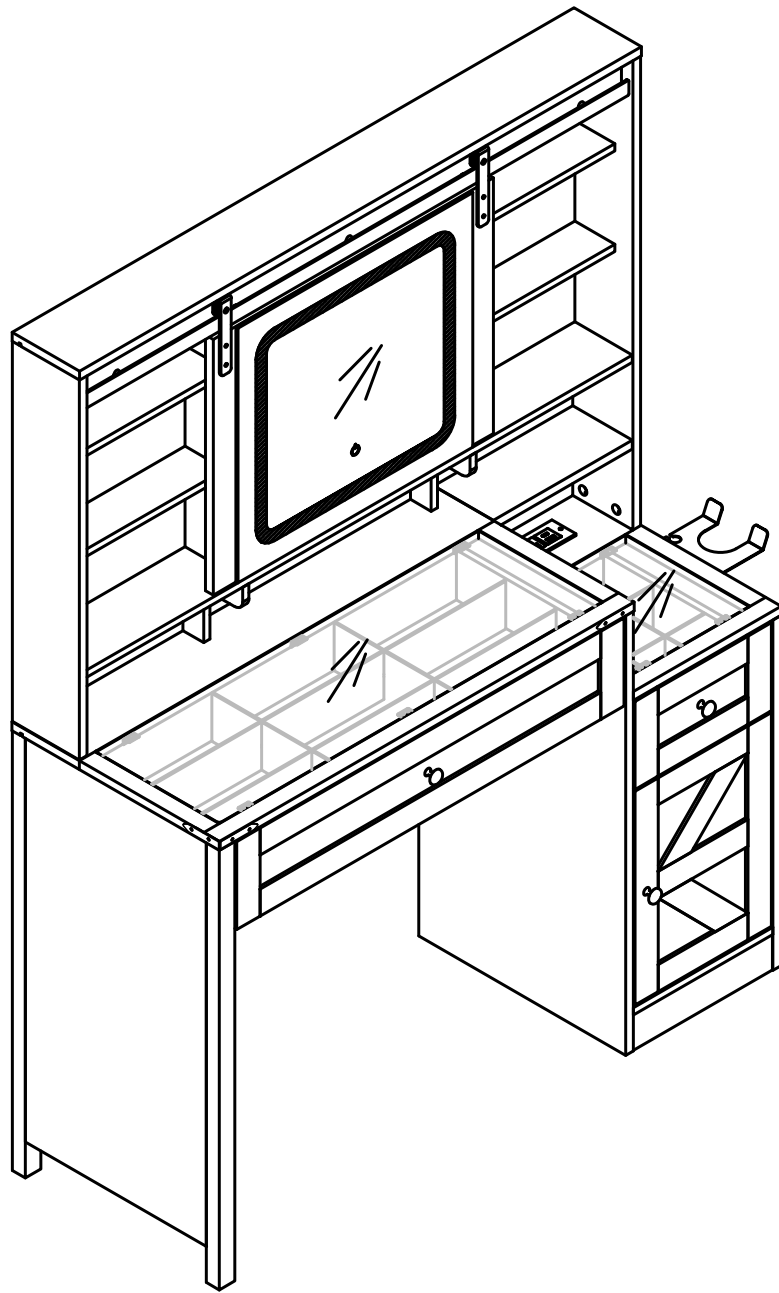
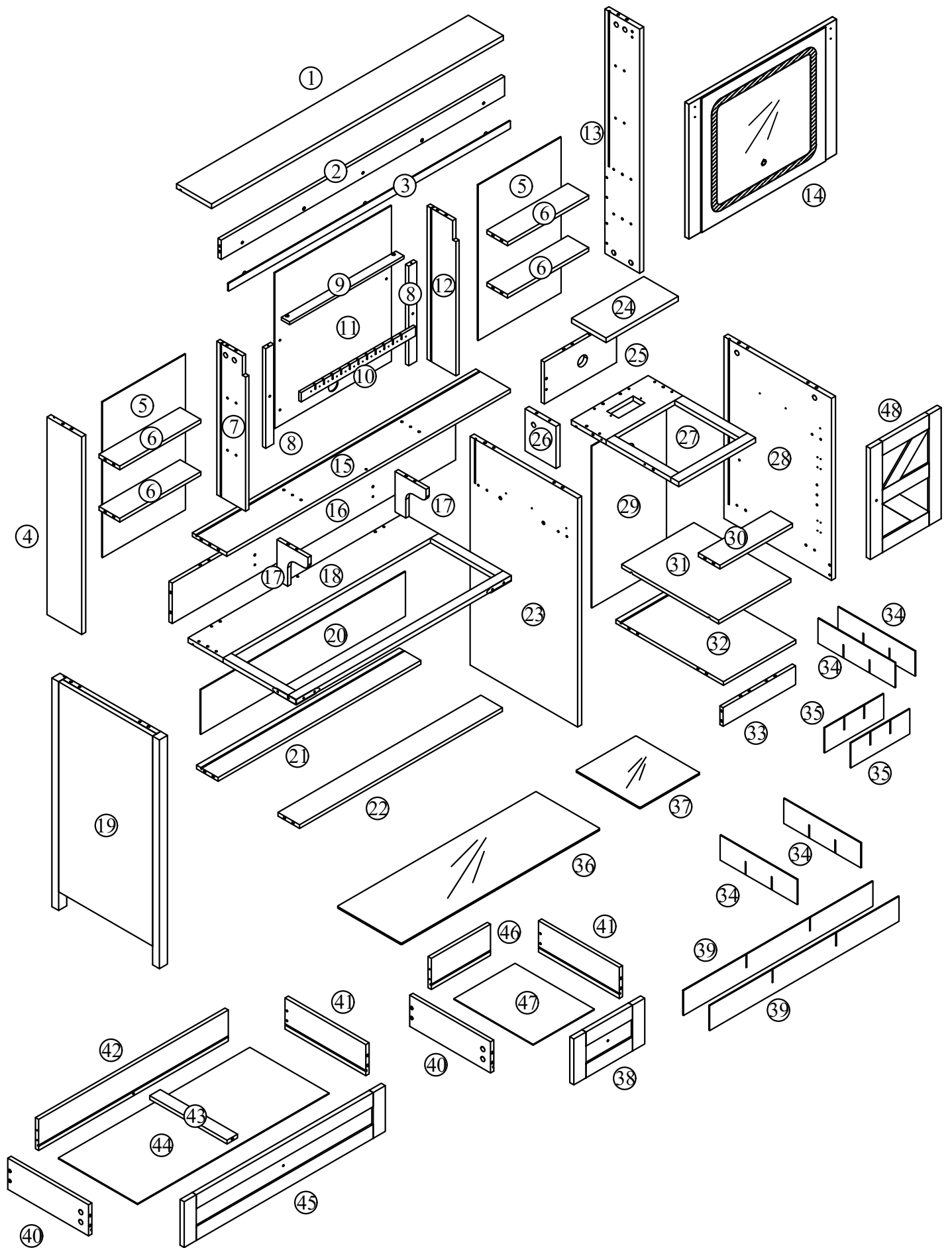
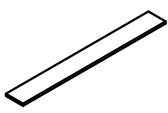
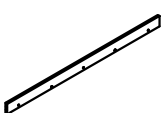
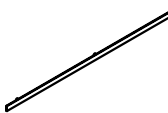
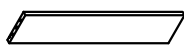
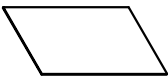
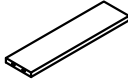

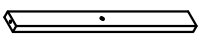

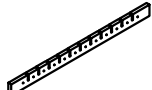



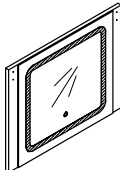
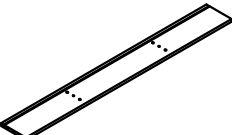
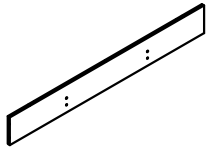

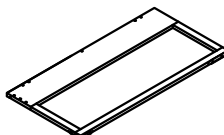

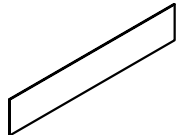

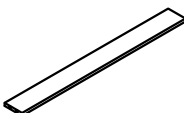
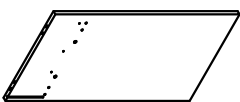
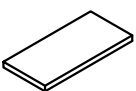
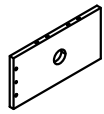

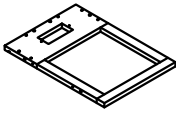
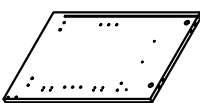
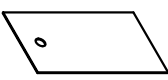
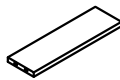
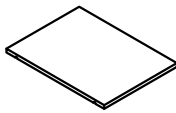
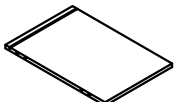
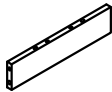
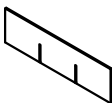
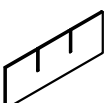
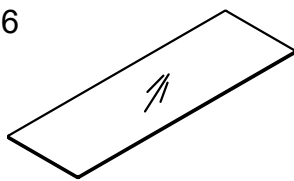
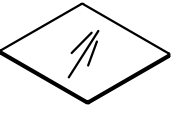
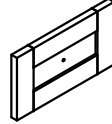
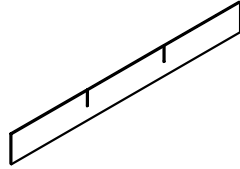
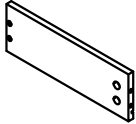
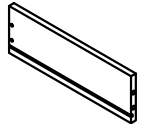
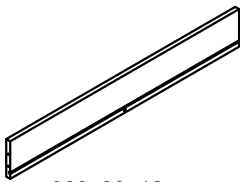

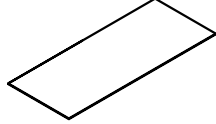
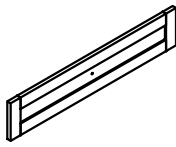
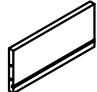
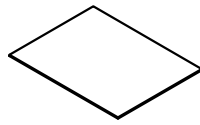
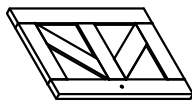


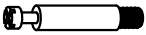








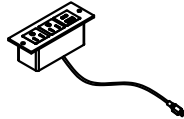

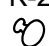
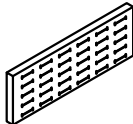















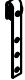




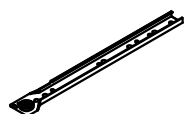

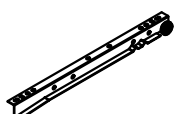
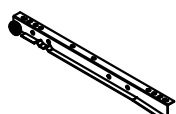
# Assembly Instruction



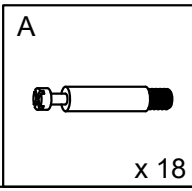
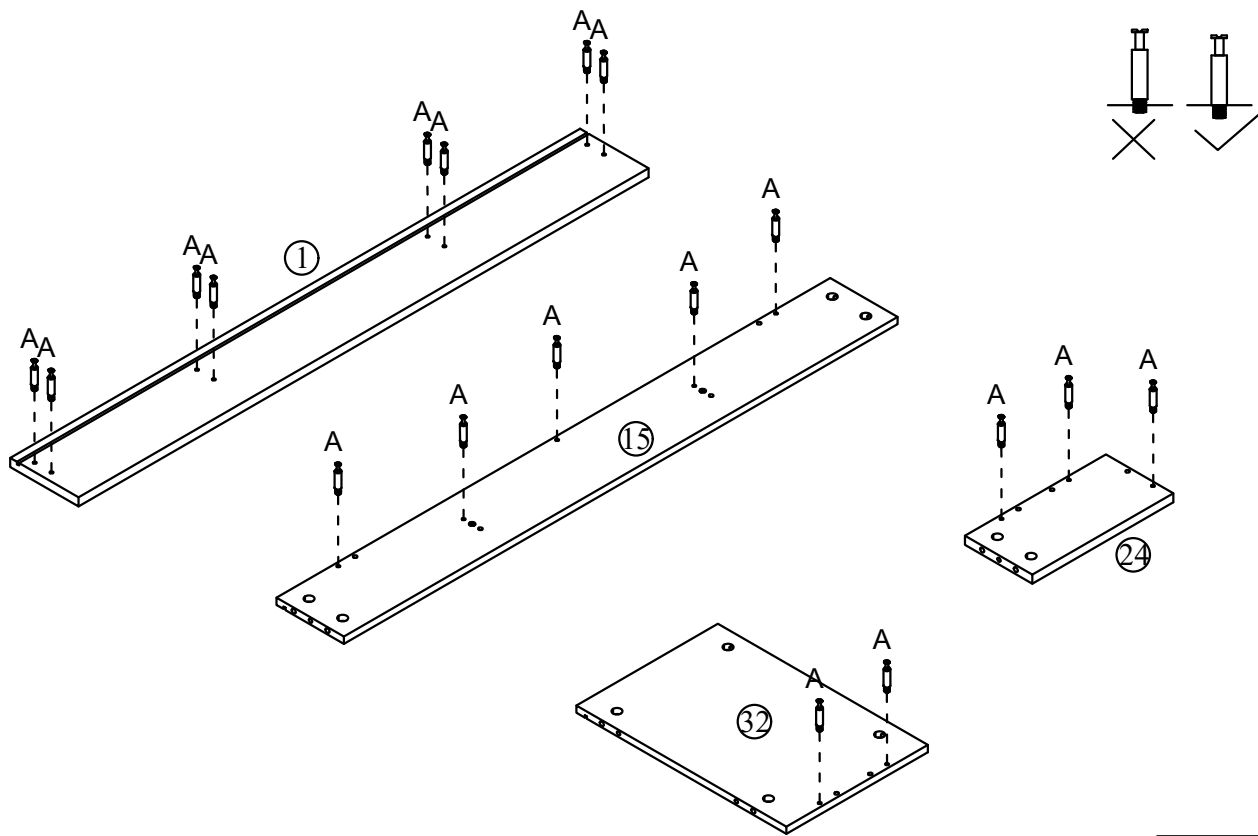


1  1050x129x15 x1	2  1018x61x12 x1	3  1014x25x17 x1	4  635x128x15 x1
5  500x291mm x2	6  284x89x12 x4	7  493x106x12 x1	8  320x29x12 x2
9  425x29x9 x1	10  425x29x9 x1	11  500x433mm x1	12  493x106x12 x1
13  785x128x15 x1	14  539x426x15 x1	15  1018x127x12 x1	16  1018x130x12 x1
17  130x115x12 x2	18  765x400x15 x1	19  735x399x30 x1	20  720x143mm x1
21  718x79x12 x1	22  718x79x12 x1	23  735x398x15 x1	24  267x127x15 x1
25  268x135x12 x1	26  135x114x15 x1	27  285x398x15 x1	28  585x398x15 x1
29  520x277mm x1	30  269x79x12 x1	31  268x359x12 x1	32  269x399x12 x1
33  269x60x12 x1	34  286x80x3 x4	35  219x80x3 x2	36  673x223x5 x1

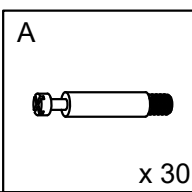
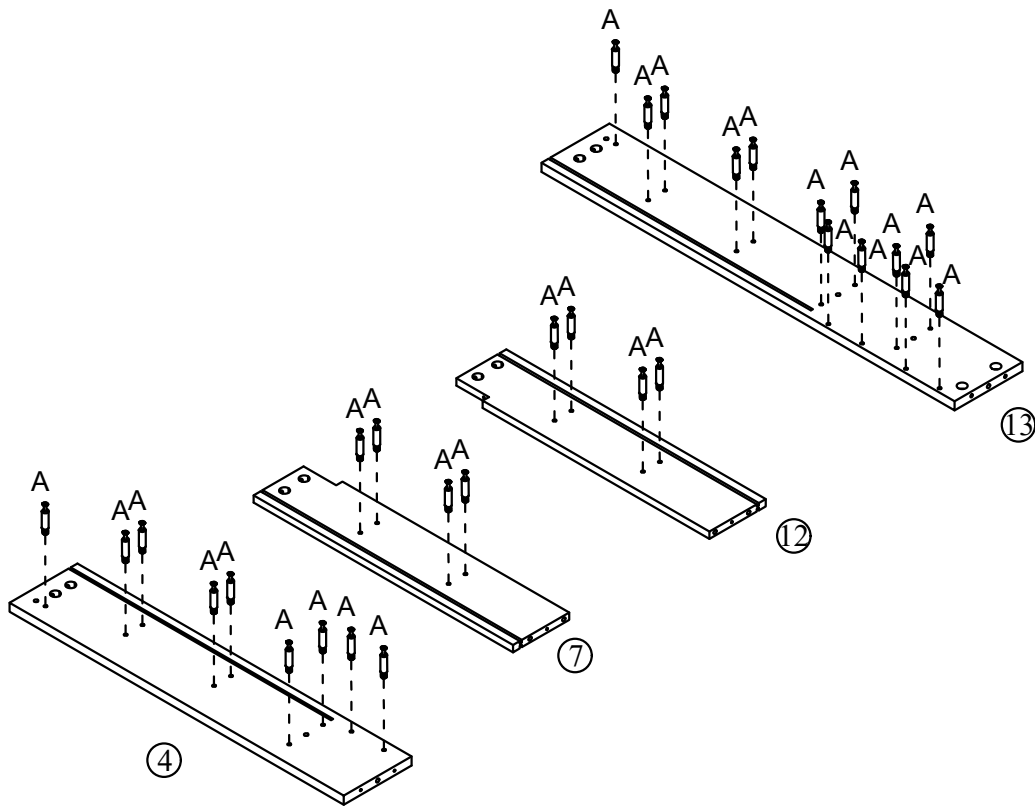
<p>37</p>  <p>193x223x5      x1</p>	<p>38</p>  <p>263x147x15      x1</p>	<p>39</p>  <p>667x80x3      x2</p>	<p>40</p>  <p>300x99x12      x2</p>
<p>41</p>  <p>300x99x12      x2</p>	<p>42</p>  <p>669x99x12      x1</p>	<p>43</p>  <p>287x39x12      x1</p>	<p>44</p>  <p>676x294mm      x1</p>
<p>45</p>  <p>710x147x15      x1</p>	<p>46</p>  <p>220x99x12      x1</p>	<p>47</p>  <p>294x227mm      x1</p>	<p>48</p>  <p>263x357x15      x1</p>

A	x 86+8	B	x 86+8	C	x 42+4	D	x 25+3	E	x 46+4
									
Φ6X35mm		Φ15X10mm		Φ6X30mm		Φ4X35mm		Φ3X12mm	
F	x 12+1	G	x 1	H	x 24+2	I	x 1	J	x 1
									
Φ4X12mm									
K	x 3	L	x 1	M	x 20+3	N	x 2	O	x 2
K-1  K-2 				M-1  M-2 		N-1  N-2  N-3 		O-1  O-2  O-3 	
Φ4X18mm				Φ3X16mm		Φ4X12mm		Φ4X45mm	
P	x 1	Q	x 2	R	x 12+1	S	x 4	T	x 6
P-1  P-2 									
Φ4X12mm				Φ4X14mm					
U	x 21+2	V	x 2	W	x 1	X	x 3	Y	x 10
									
						Φ6X20mm			
Z	x 8+2	CL	x 2	CR	x 2	DL	x 2	DR	x 2
									
Φ21		L300		L300		L300		L300	

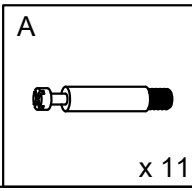
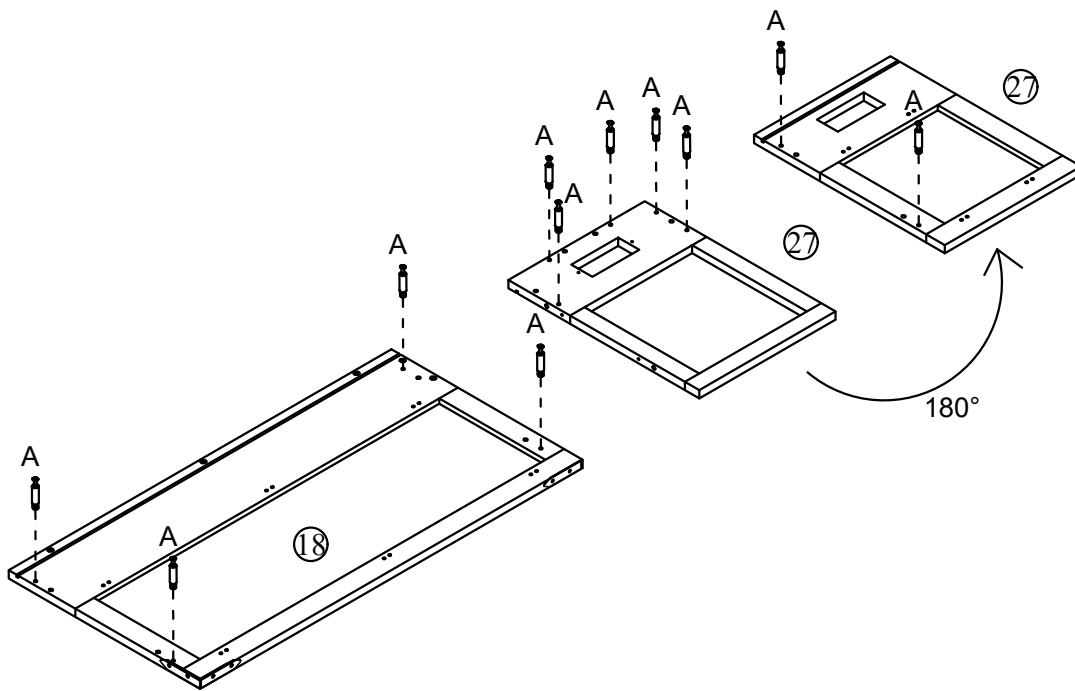
1



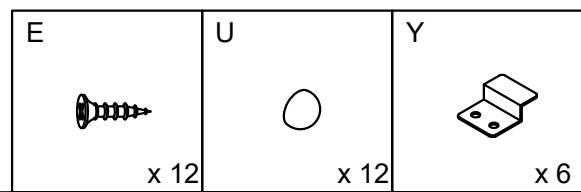
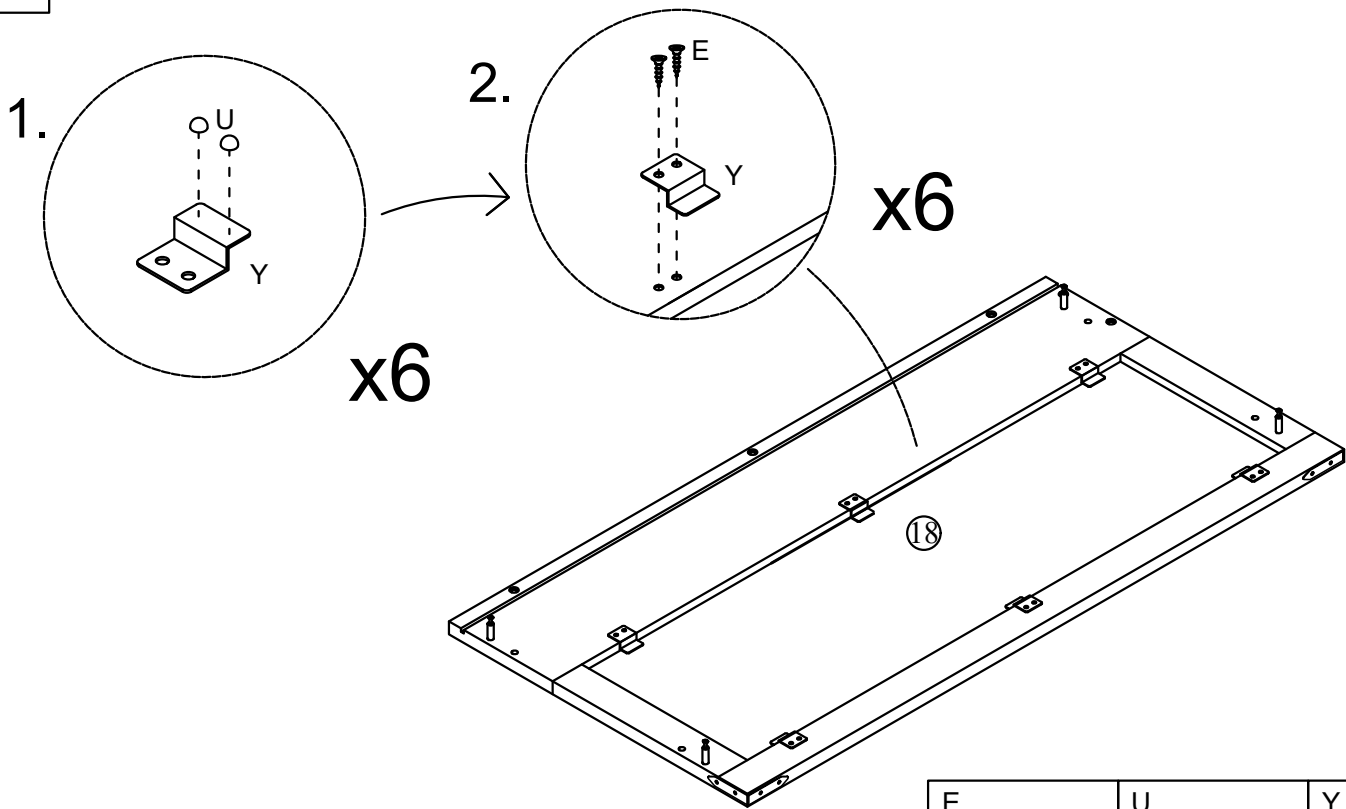
2



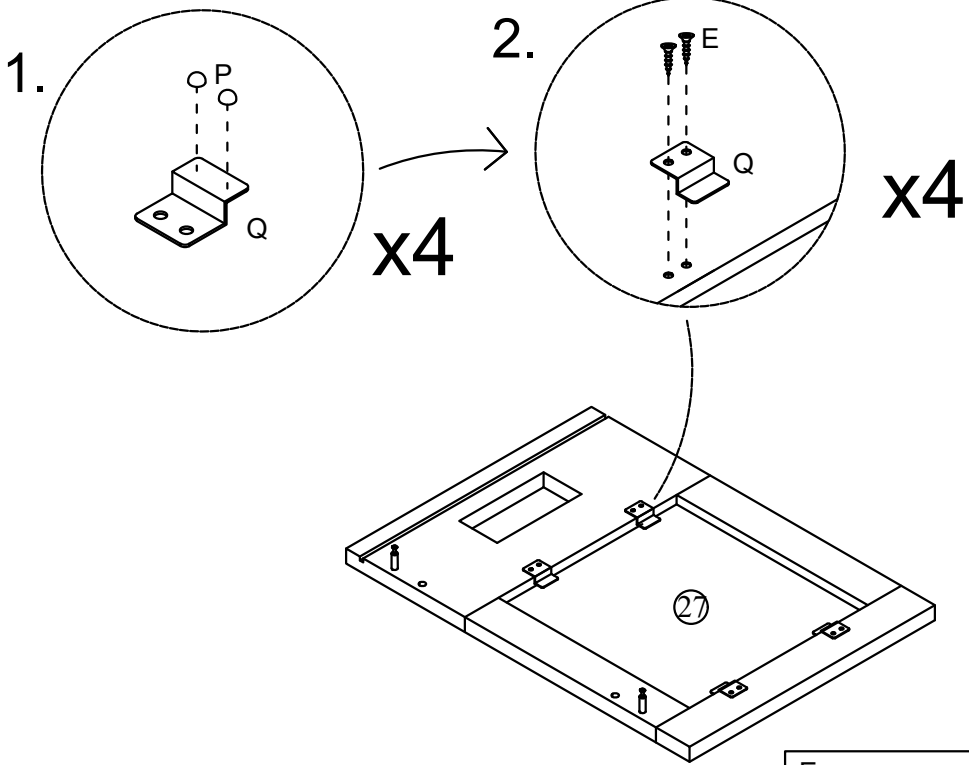
3



4

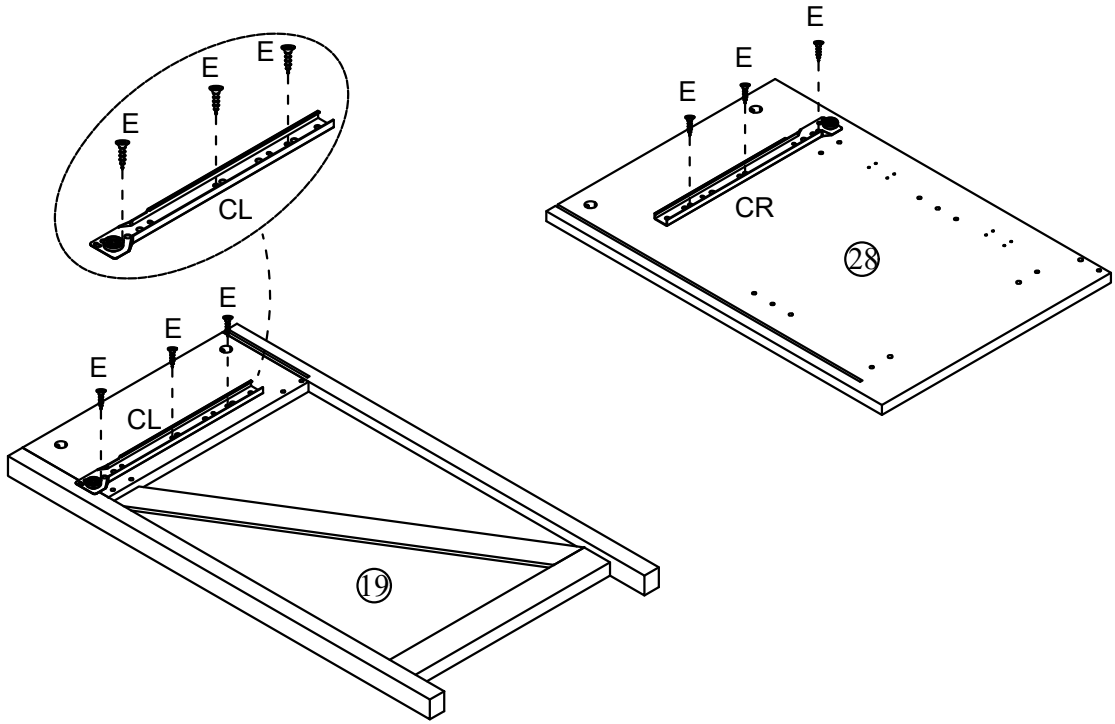


5



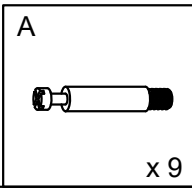
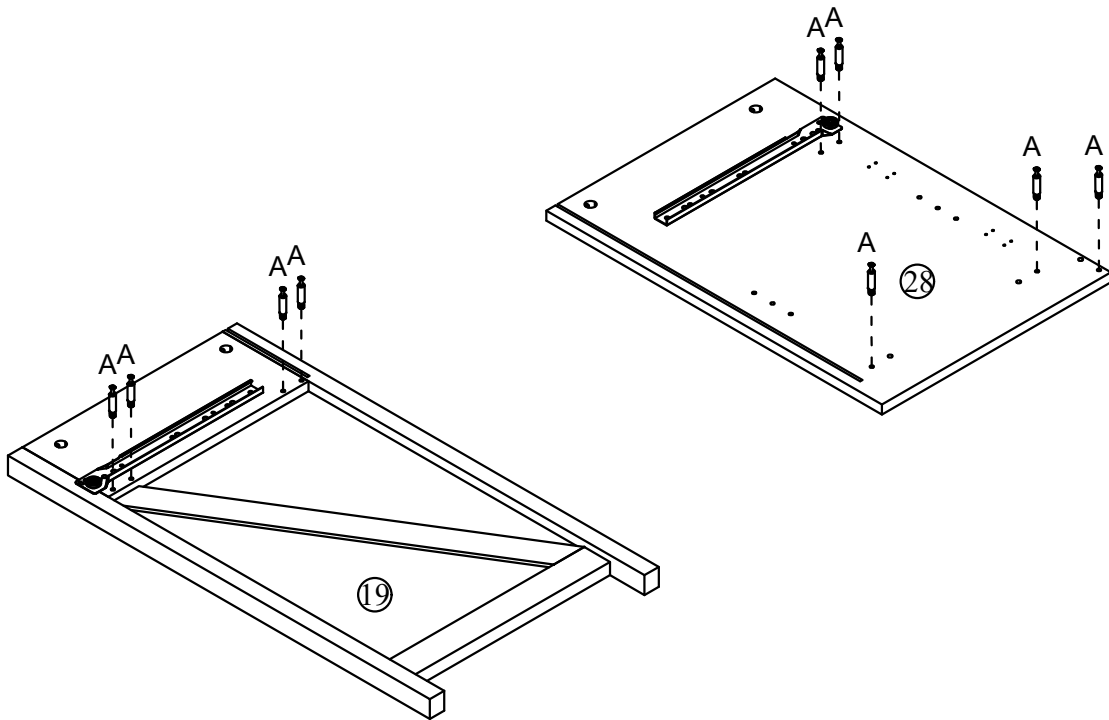
E	U	Y
x 8	x 8	x 4

6

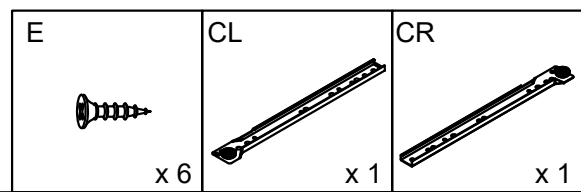
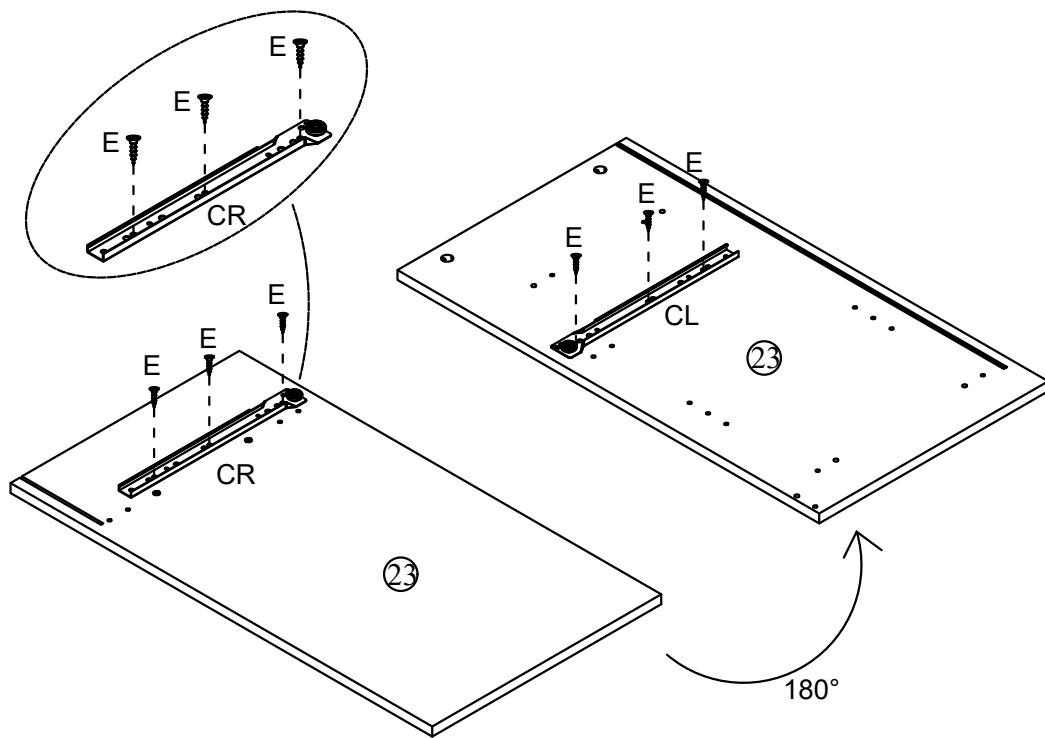


E	CL	CR
x 6	x 1	x 1

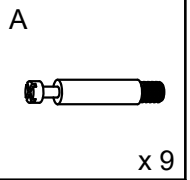
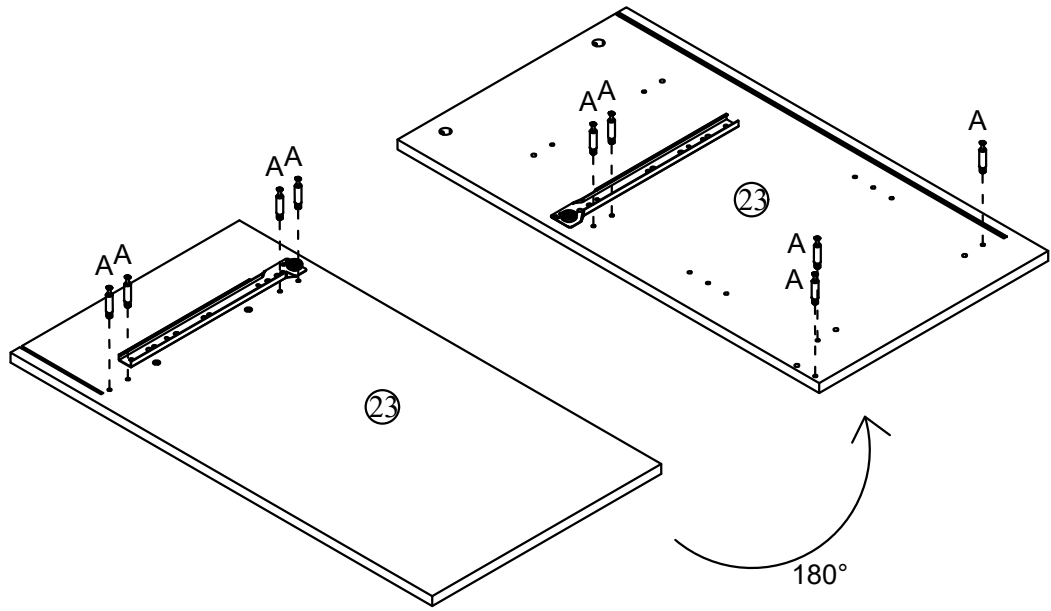
7



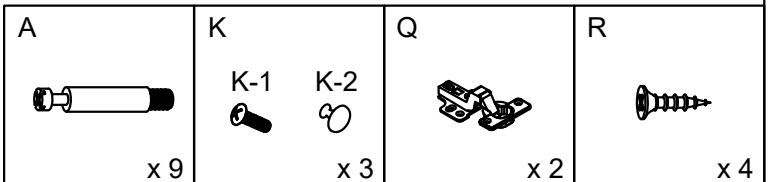
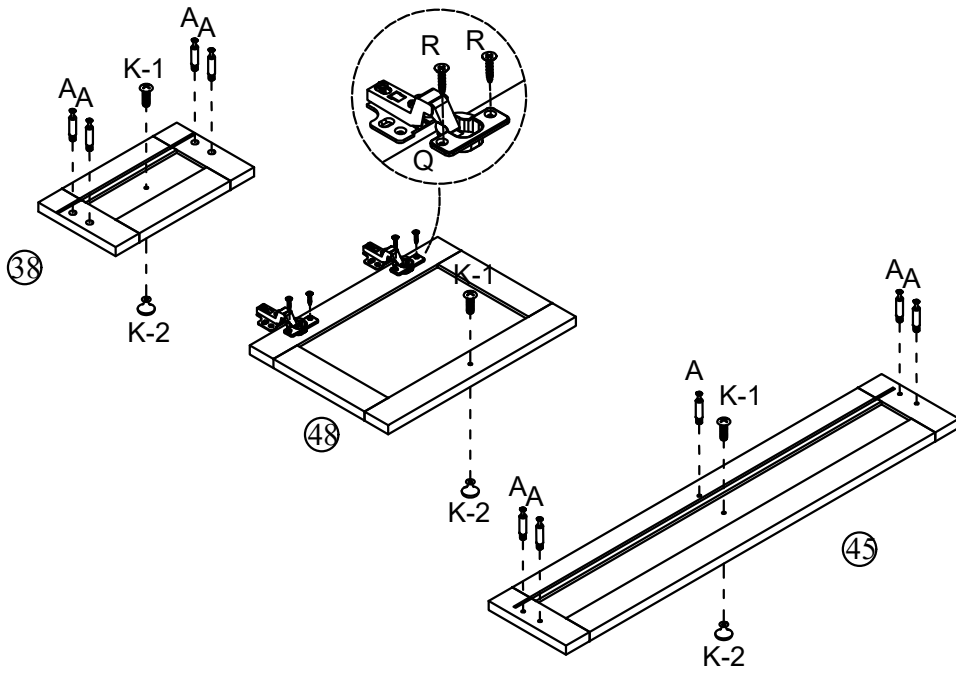
8



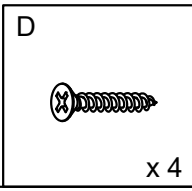
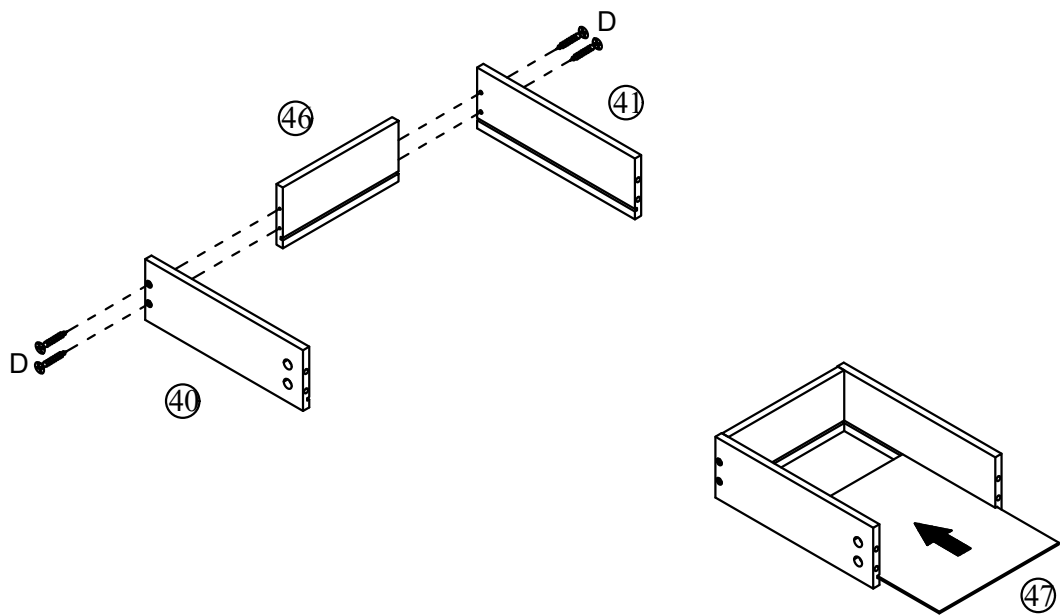
9



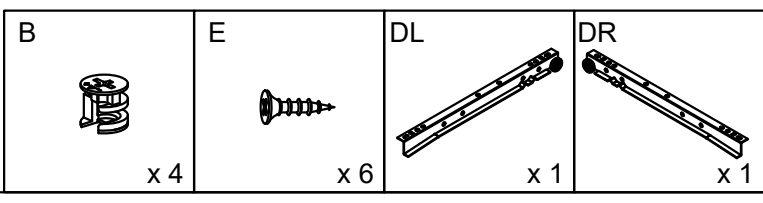
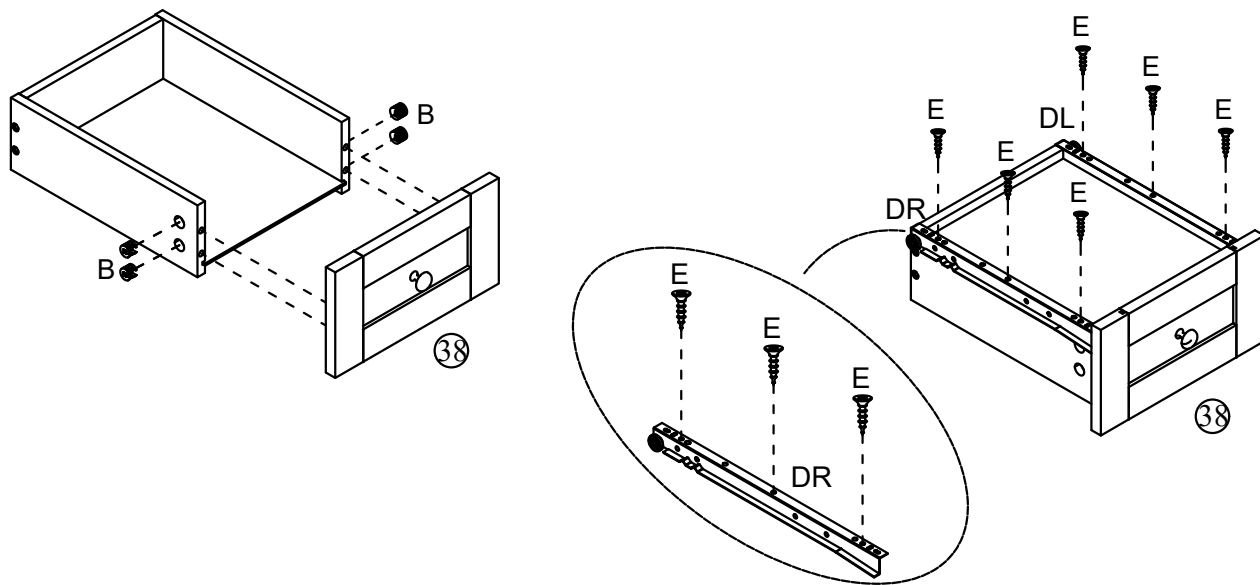
10



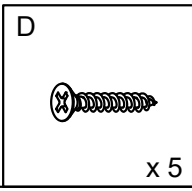
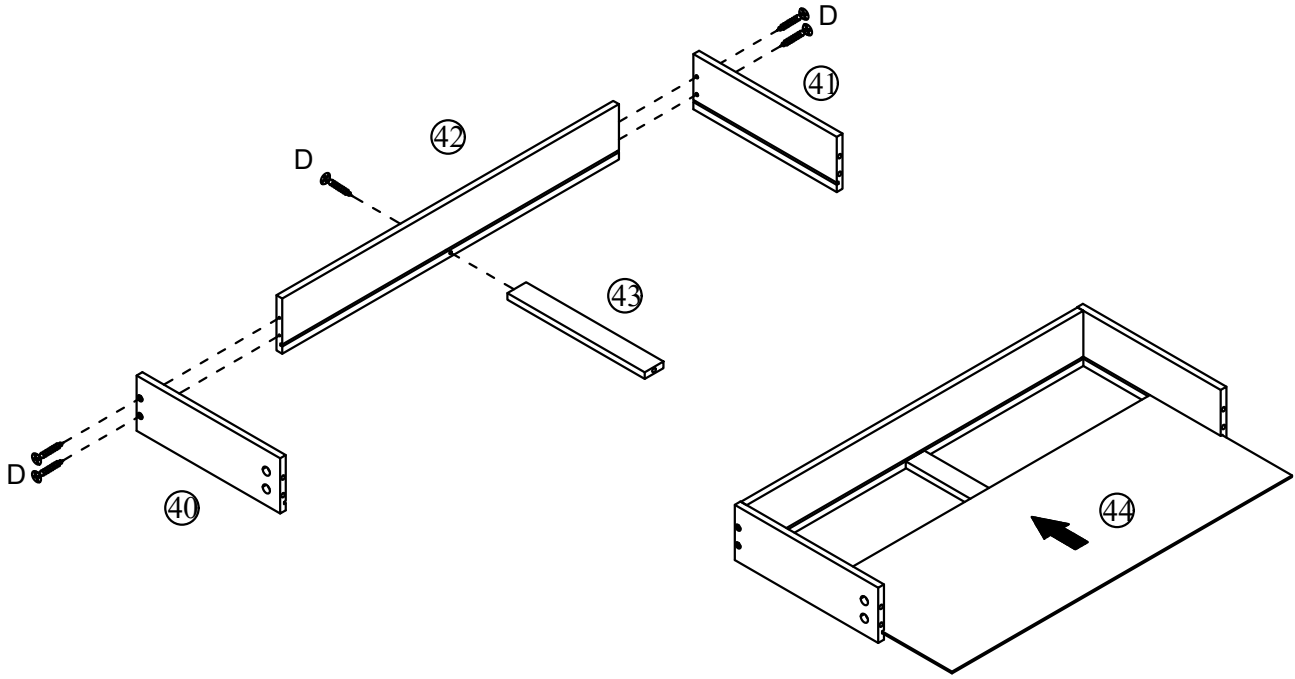
11



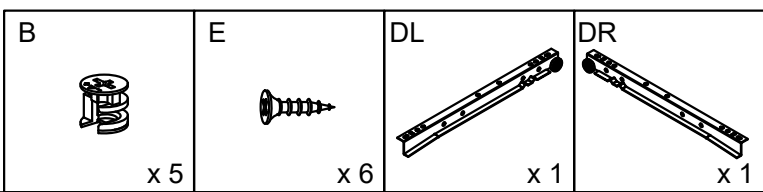
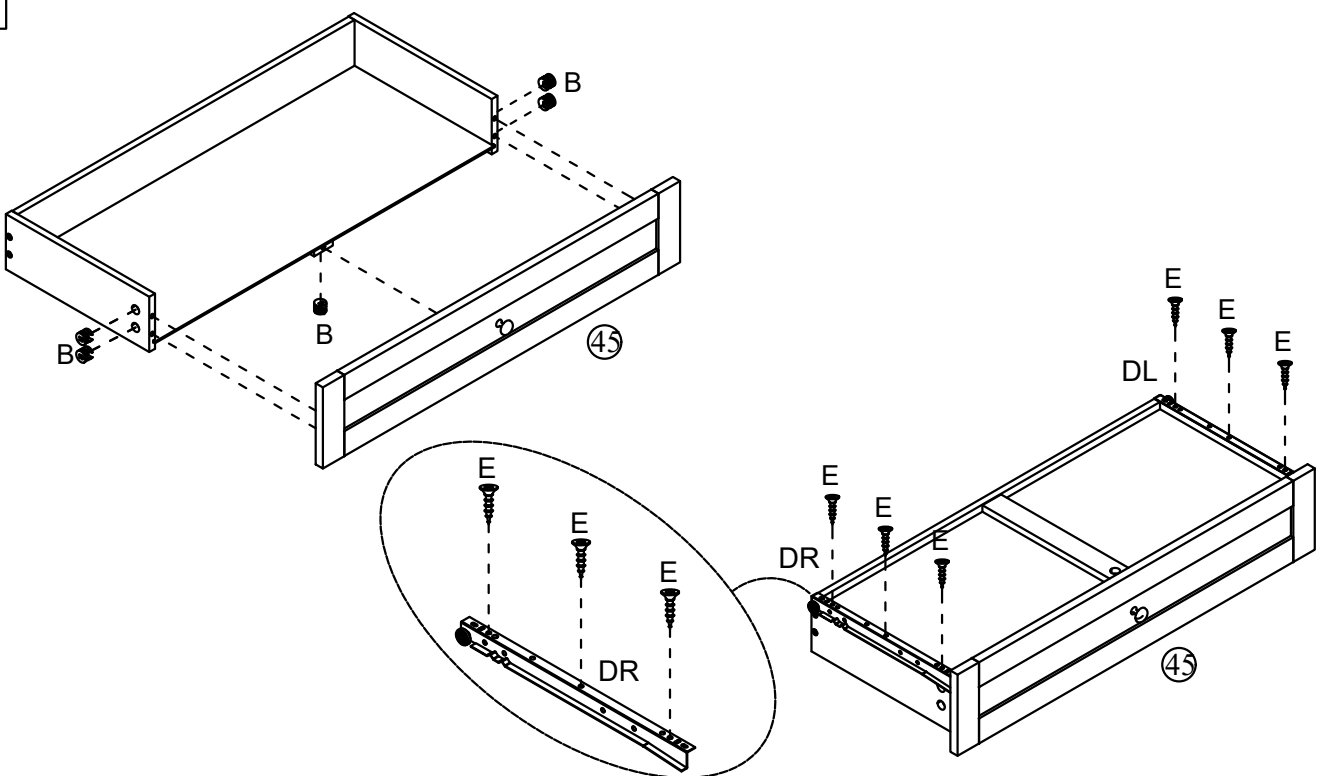
12



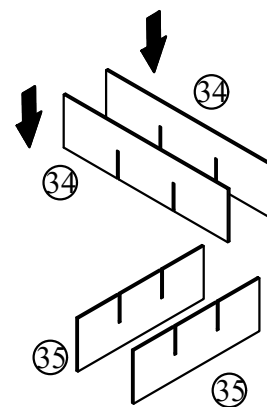
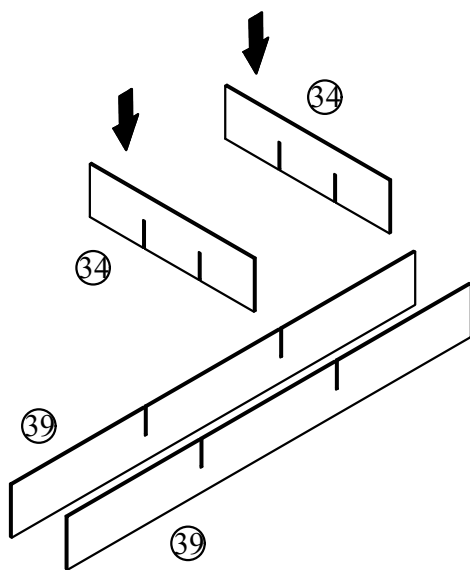
13



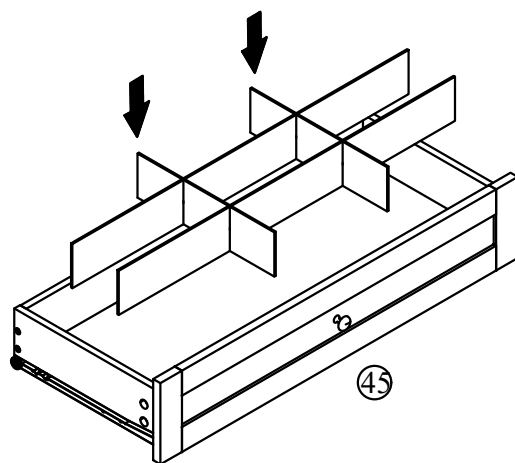
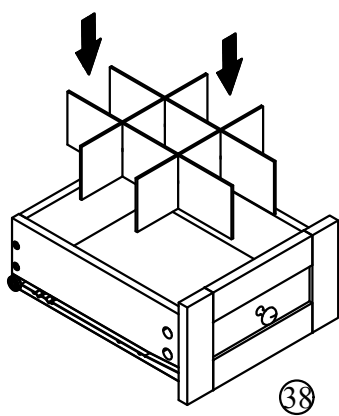
14



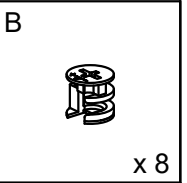
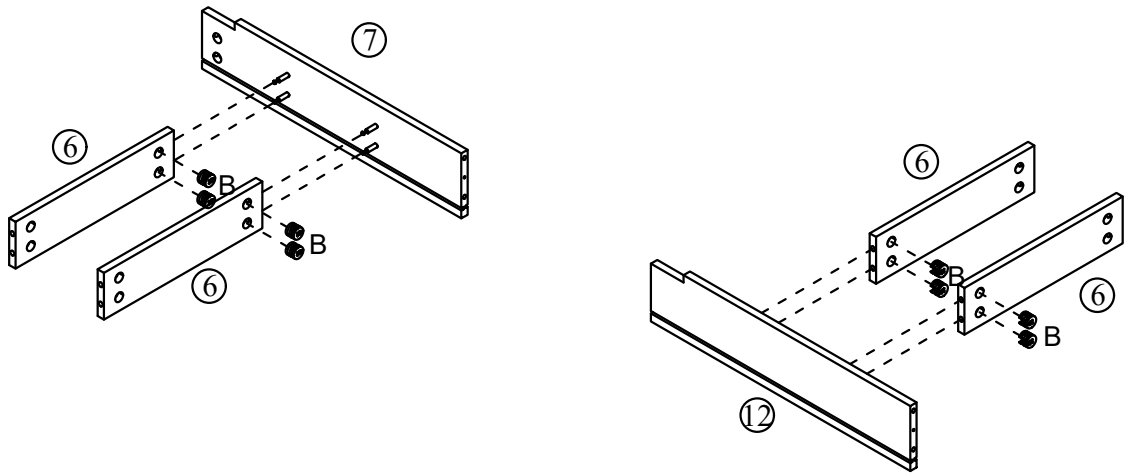
15



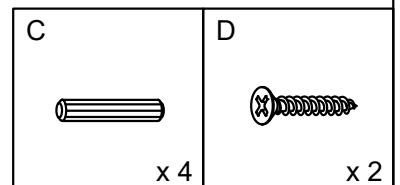
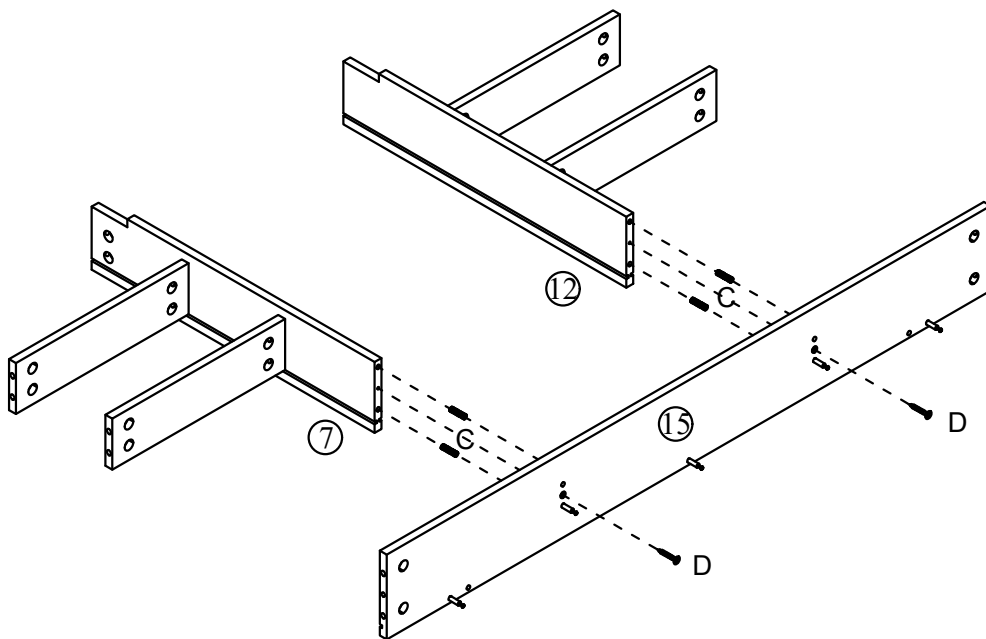
16



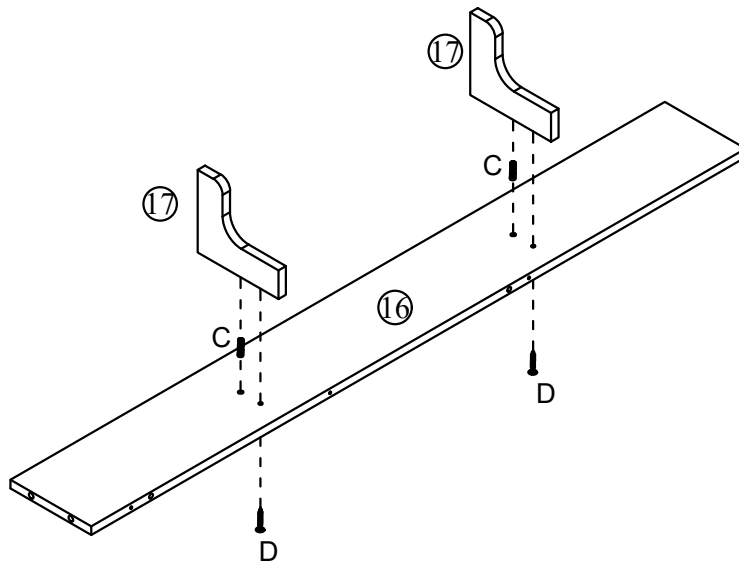
17

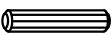



18

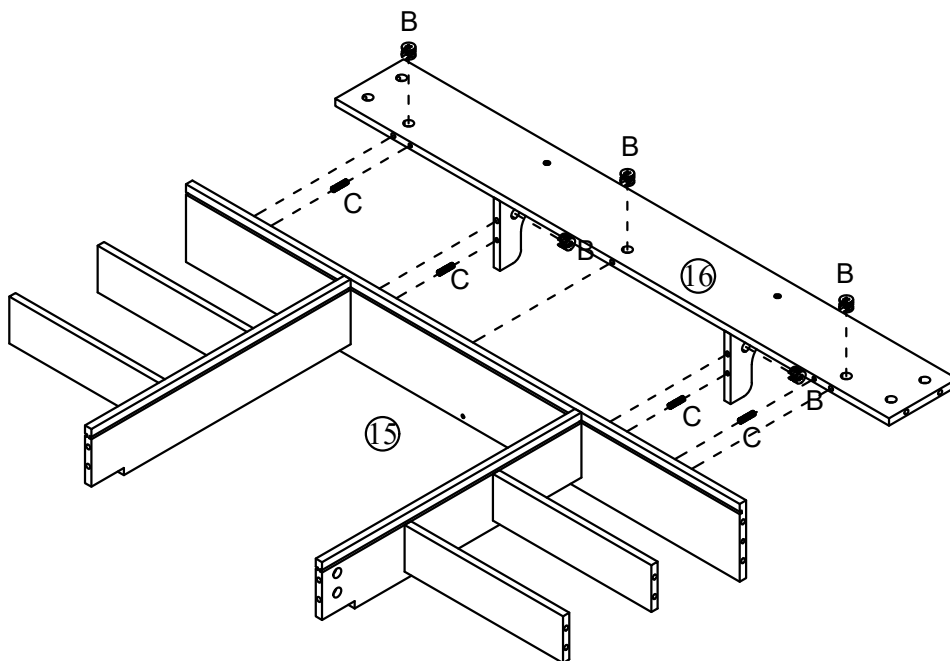




19



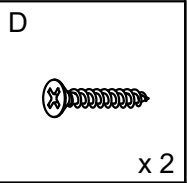
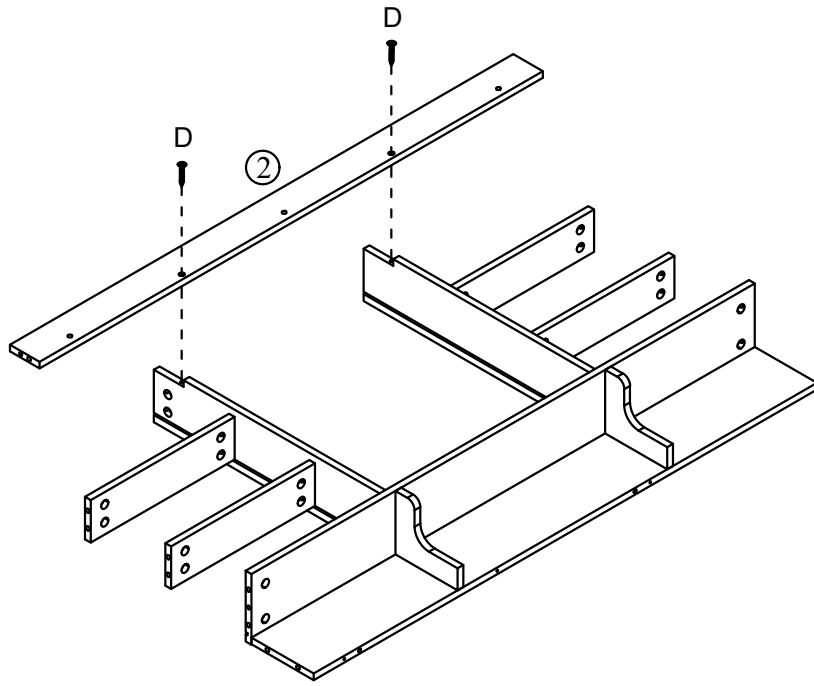
C	D
	
x 2	x 2

20

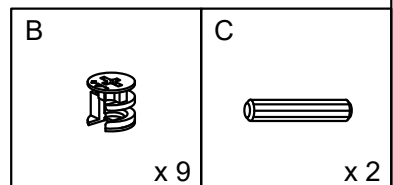
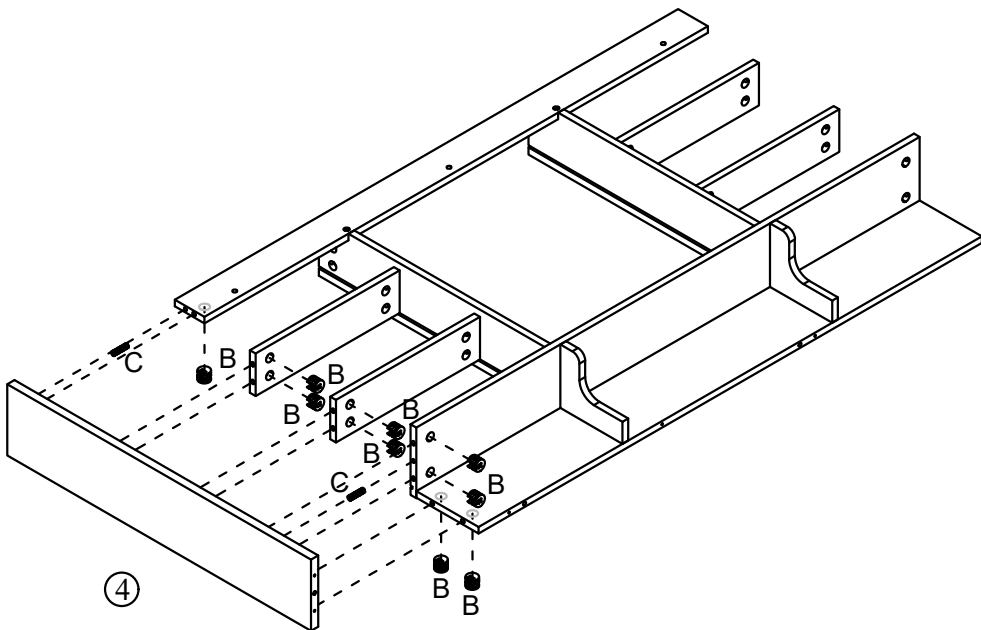


B	C
	
x 5	x 4

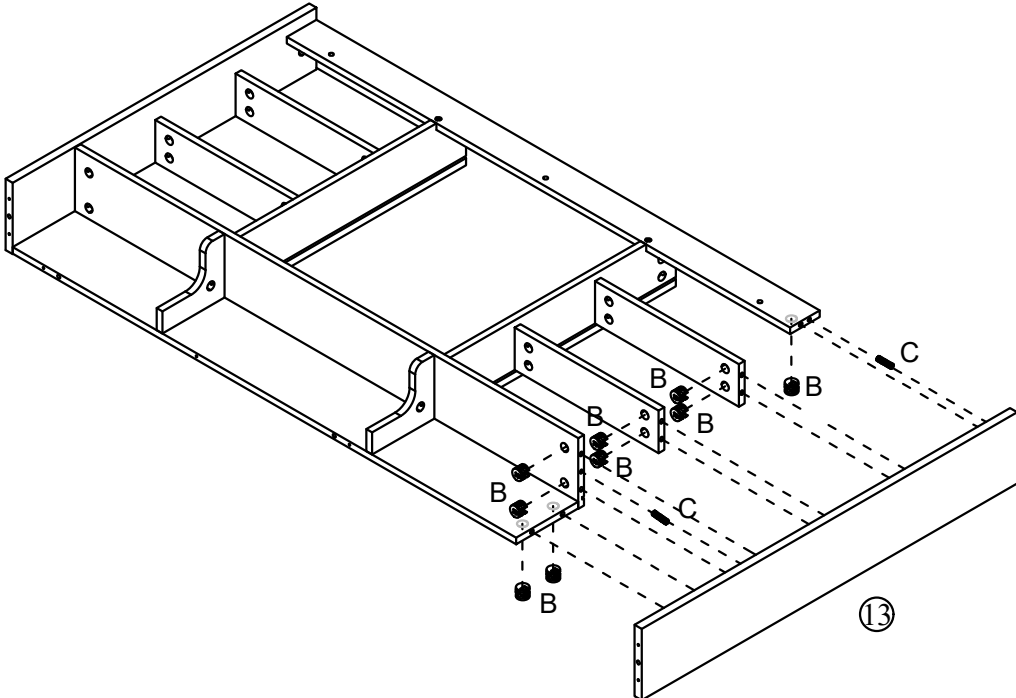
21





22

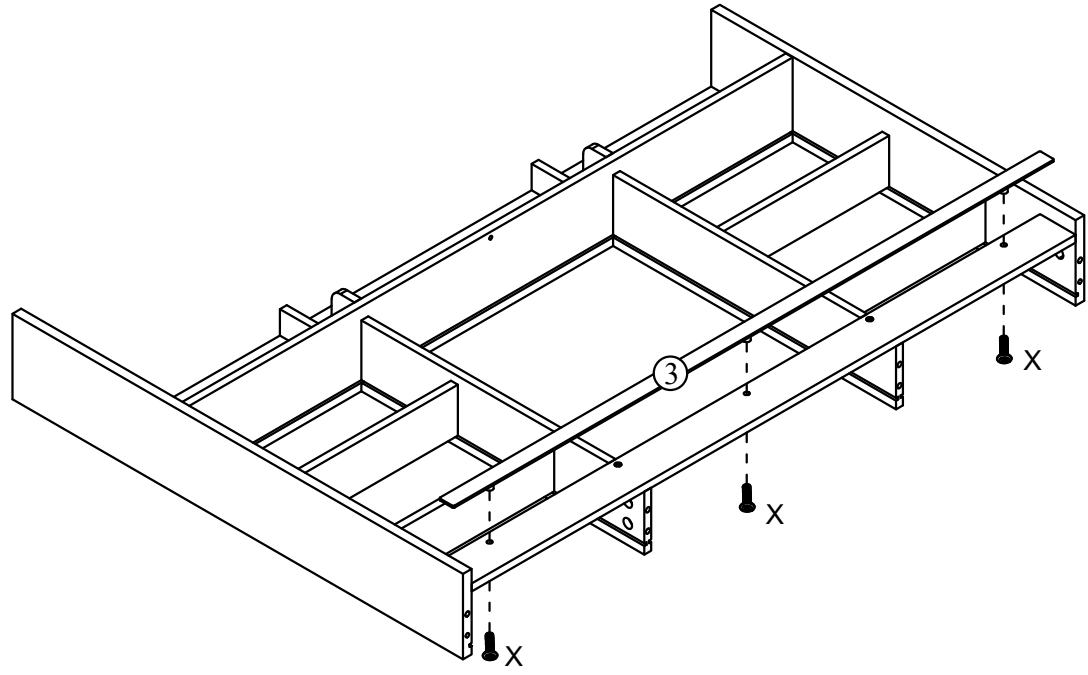



23



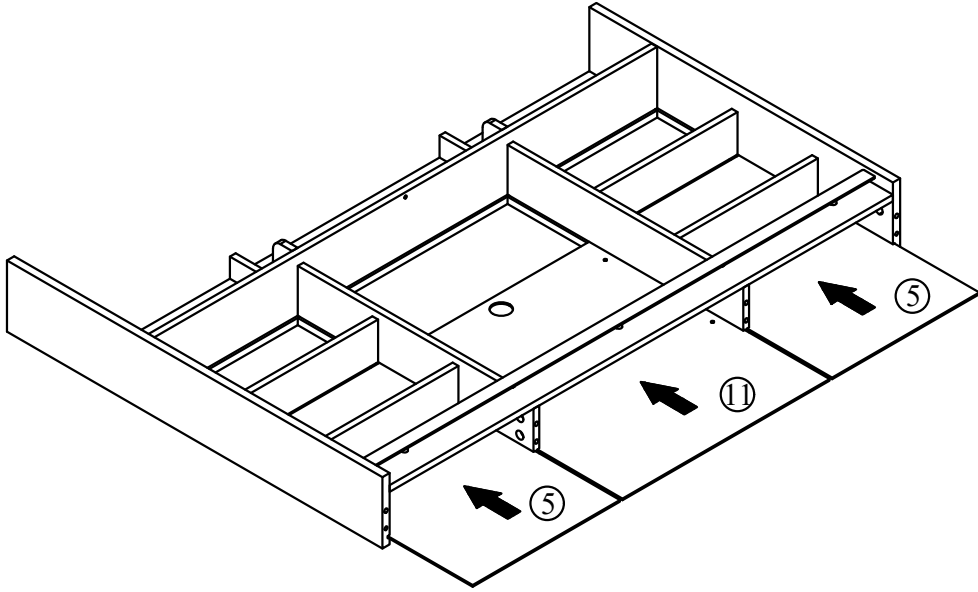
B  x 9	C  x 2
--	---

24

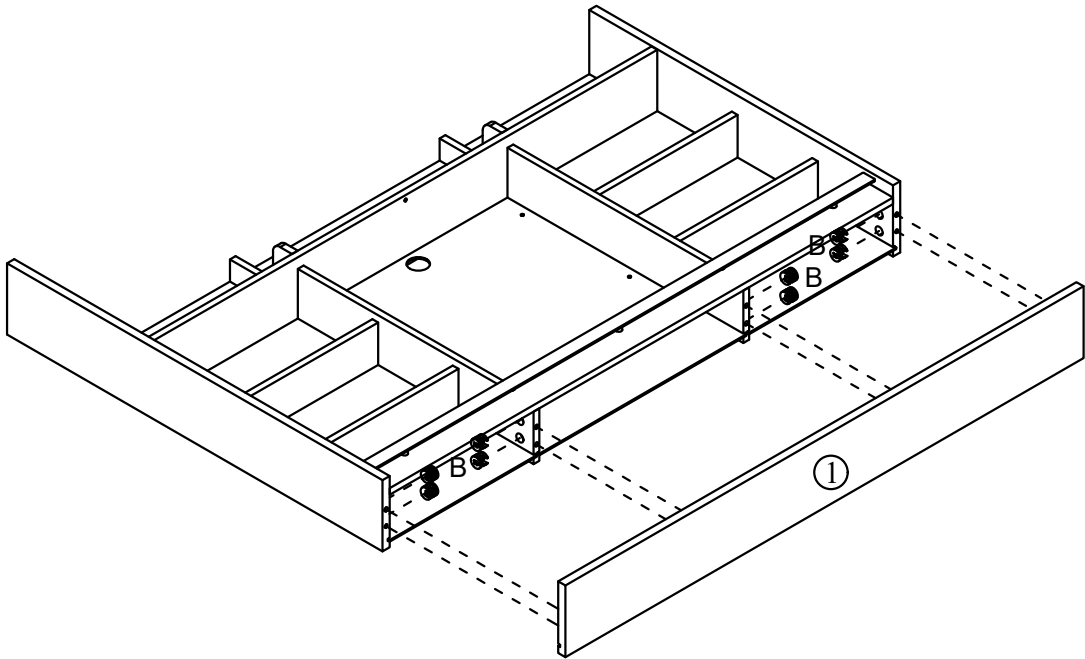


X  x 3
---

25



26

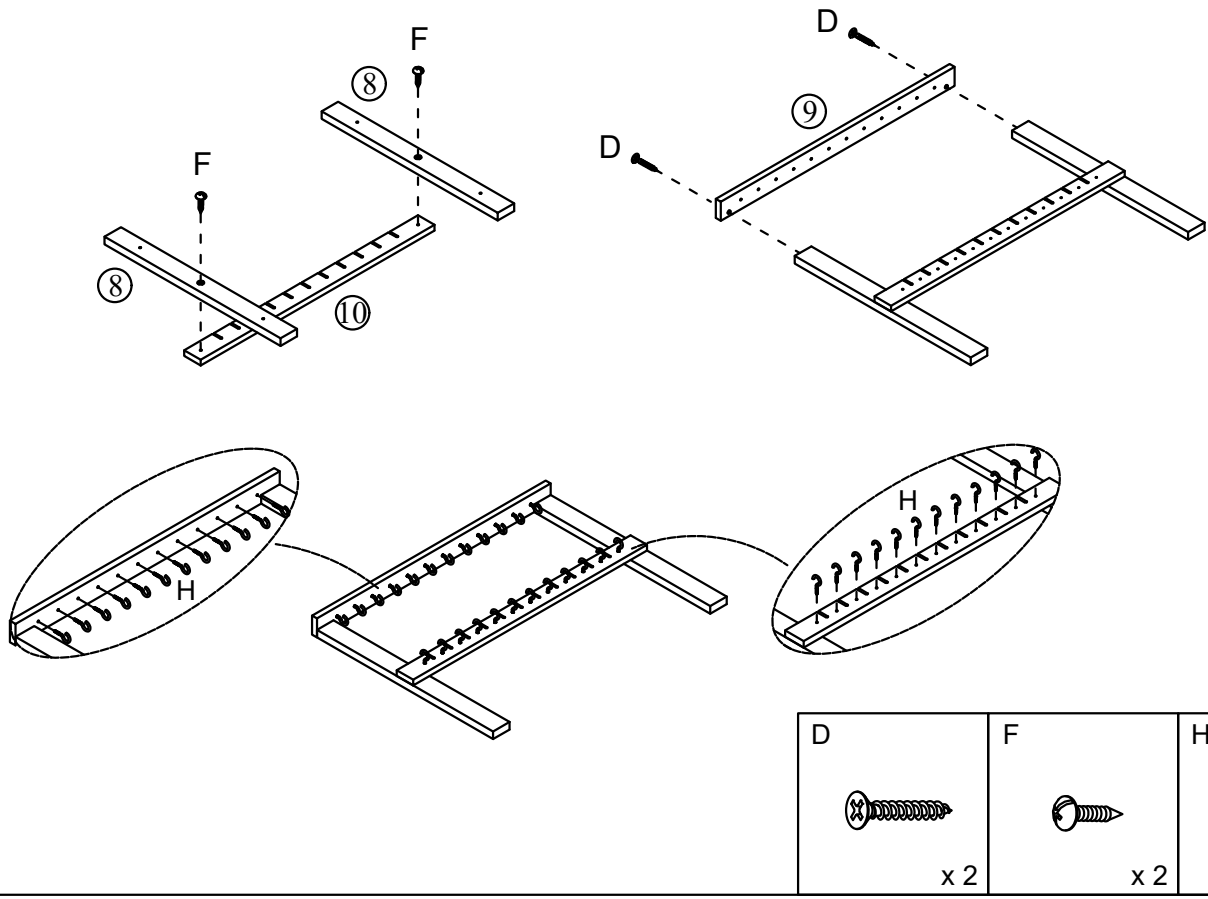


B

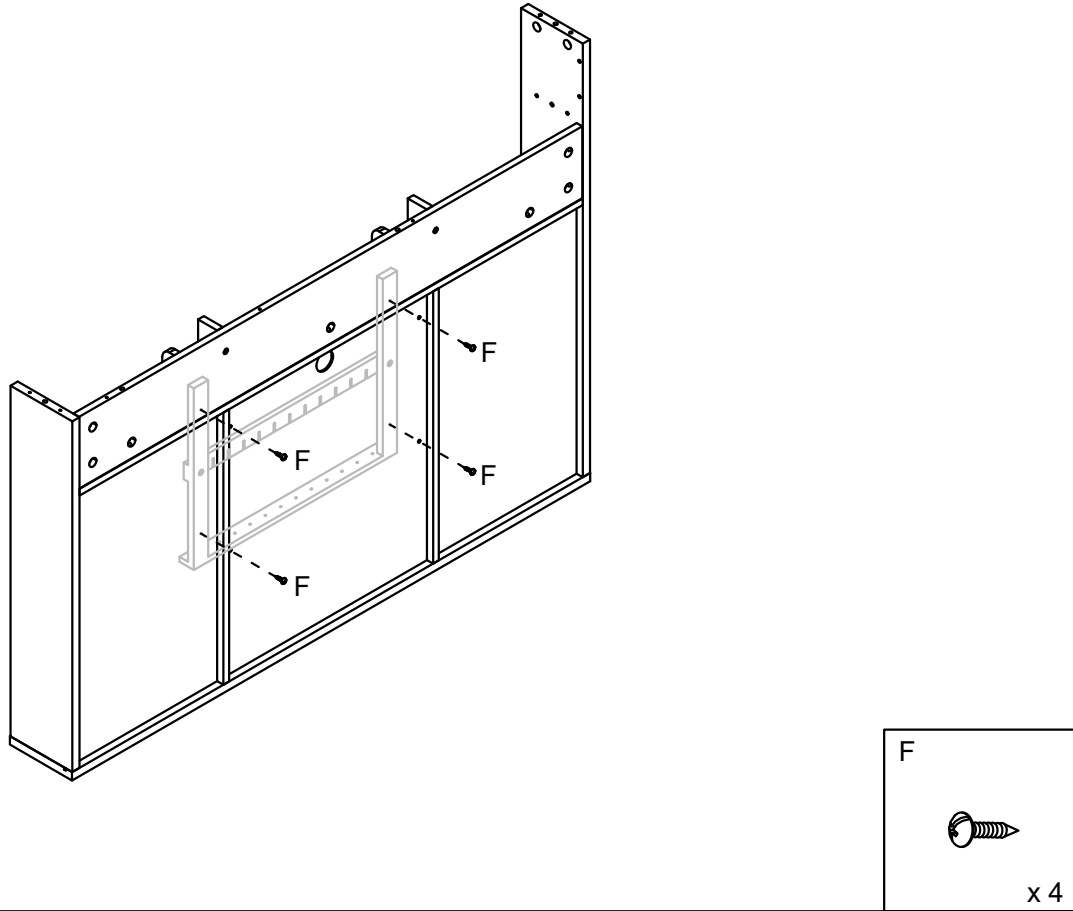


x 8

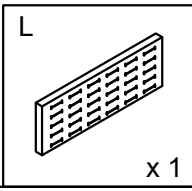
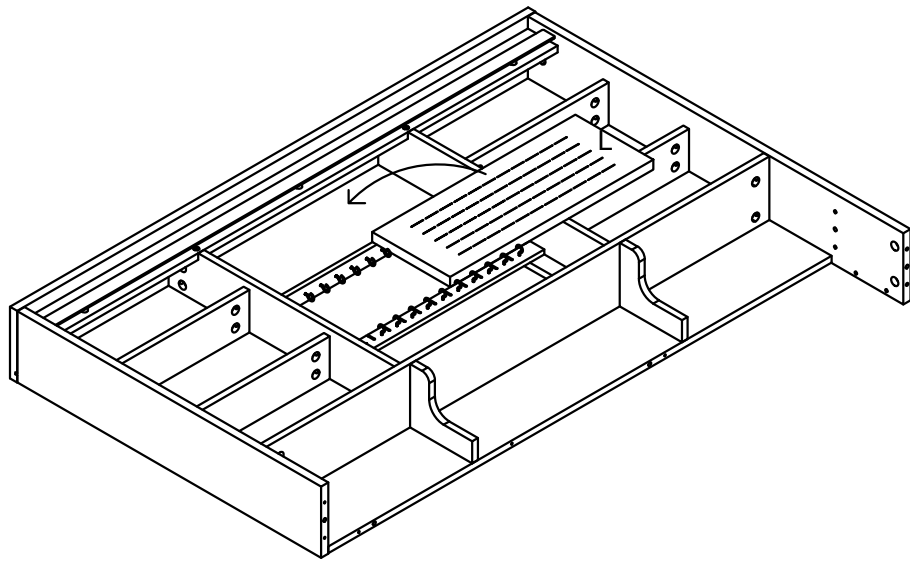
27



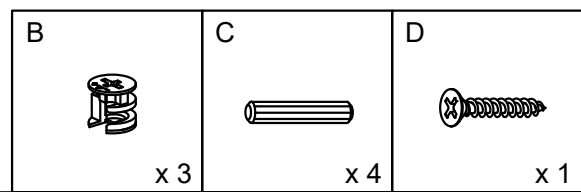
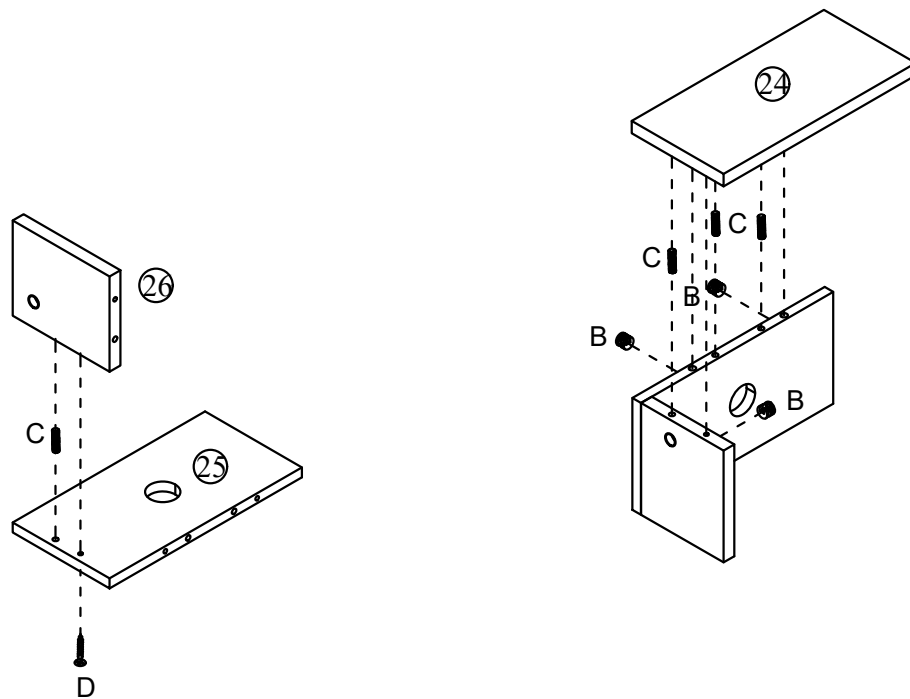
28



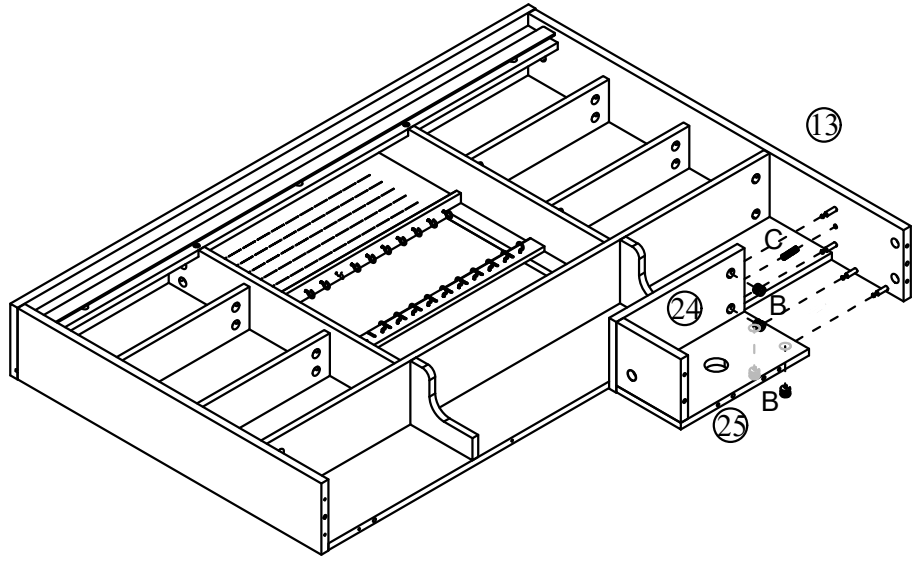
29





30

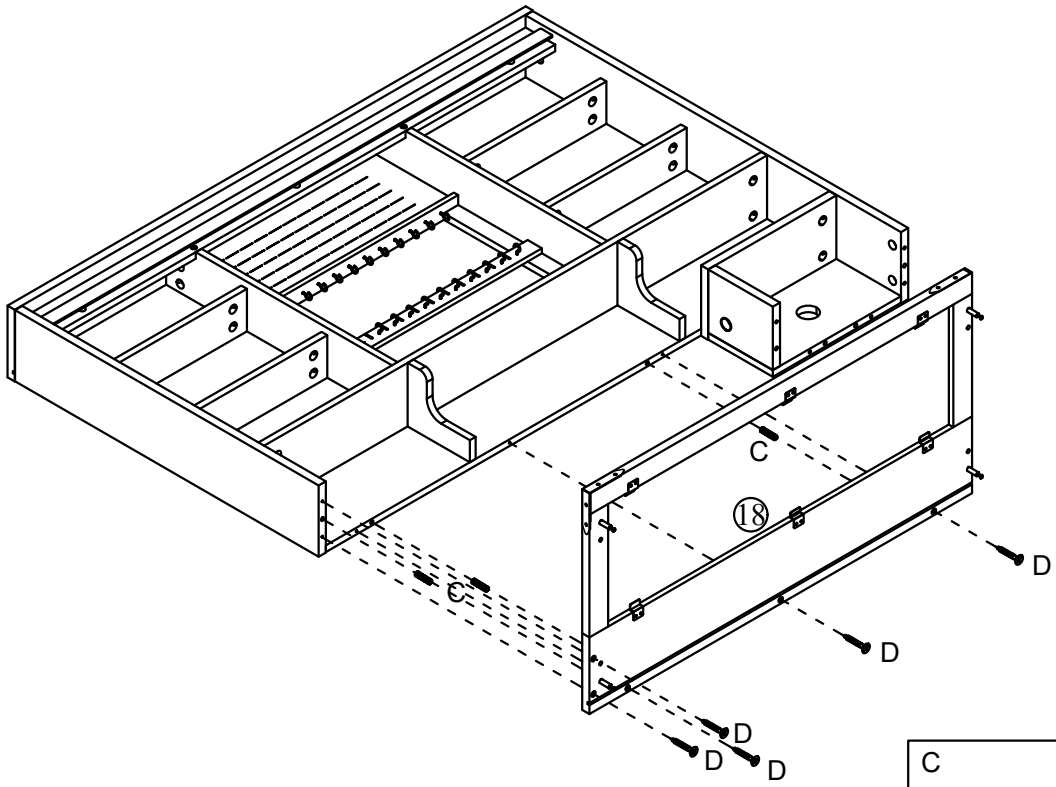




31



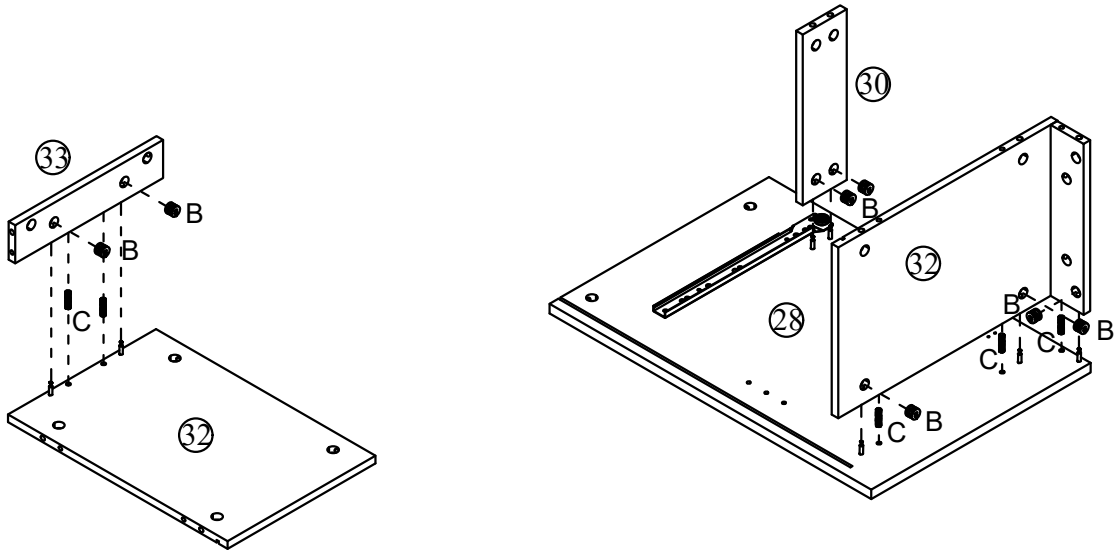
<p>B</p>  <p>x 4</p>	<p>C</p>  <p>x 1</p>
--	---


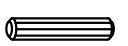
32



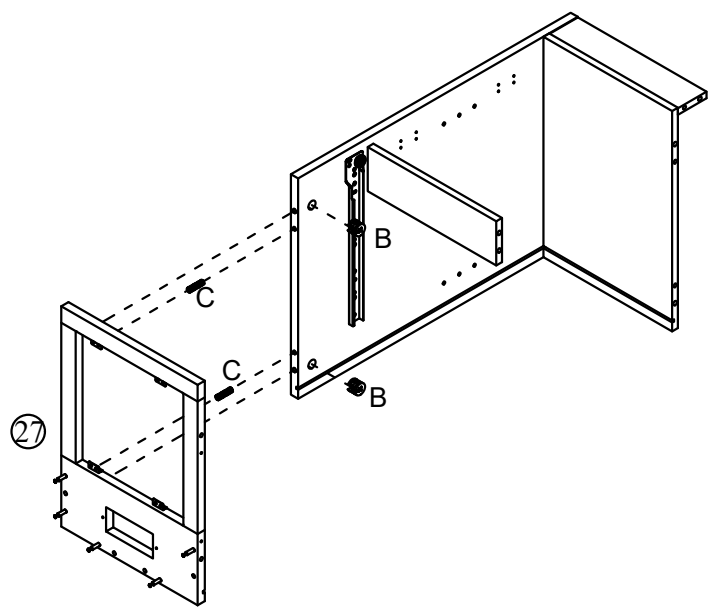
<p>C</p>  <p>x 3</p>	<p>D</p>  <p>x 5</p>
---	---



33



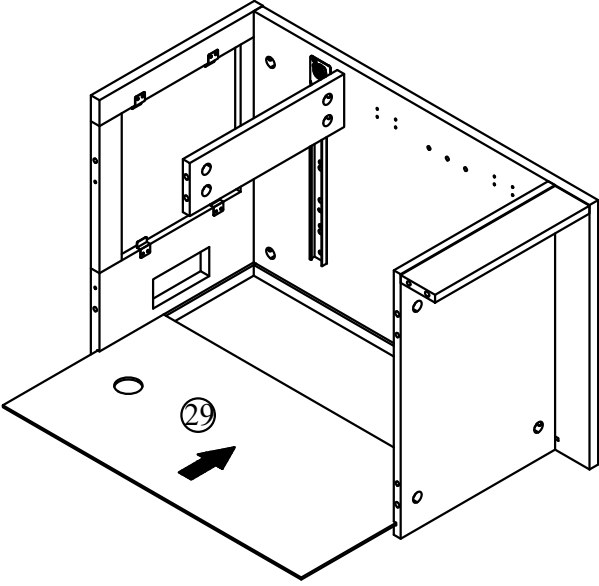
B	C
	
x 7	x 5

34

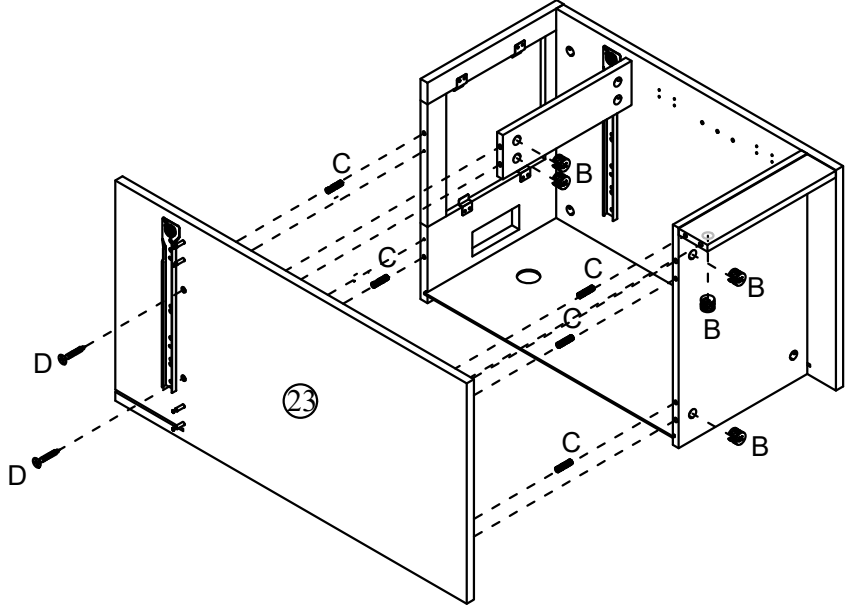





B	C
	
x 2	x 2

35

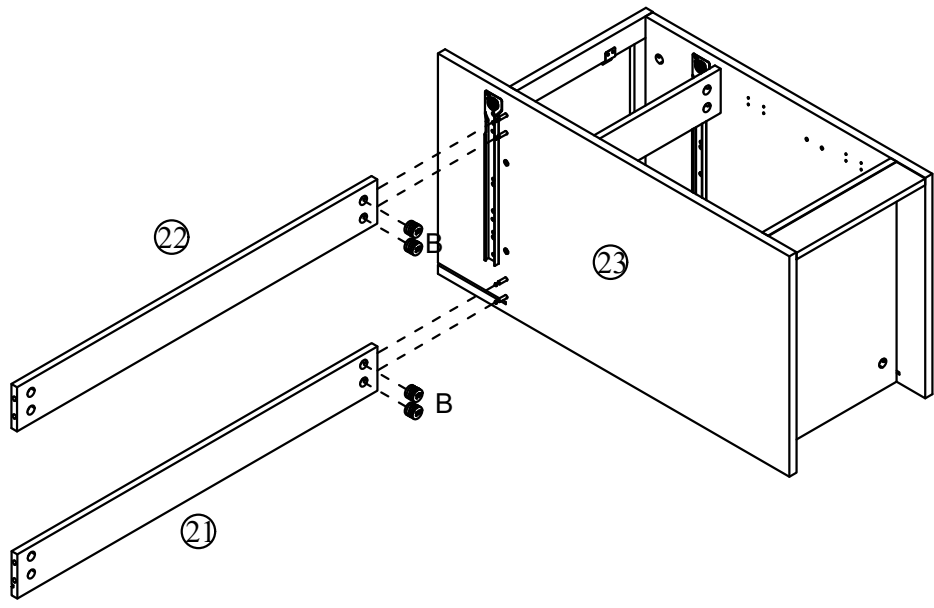


36




B  x 5	C  x 5	D  x 2
---	---	---

37

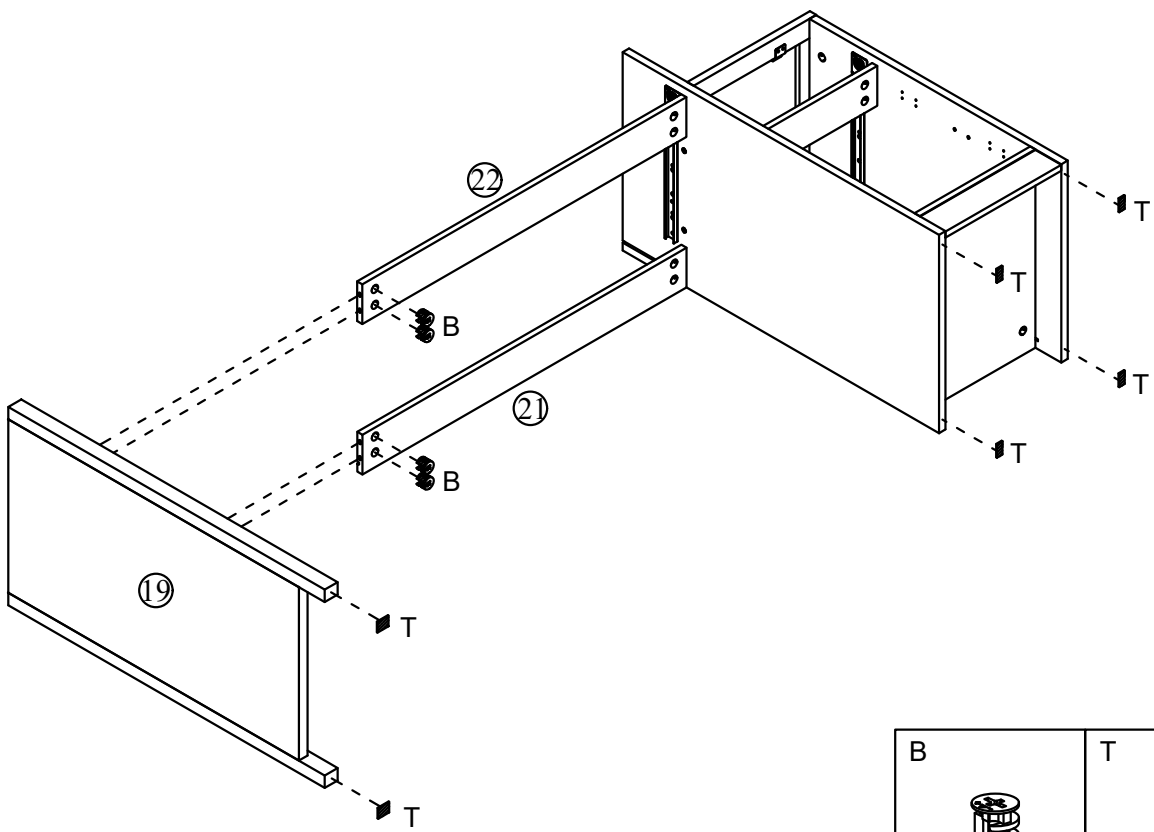




B



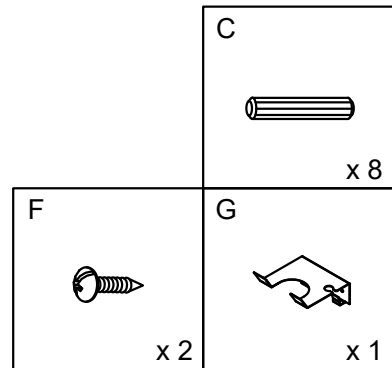
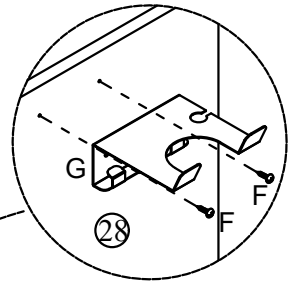
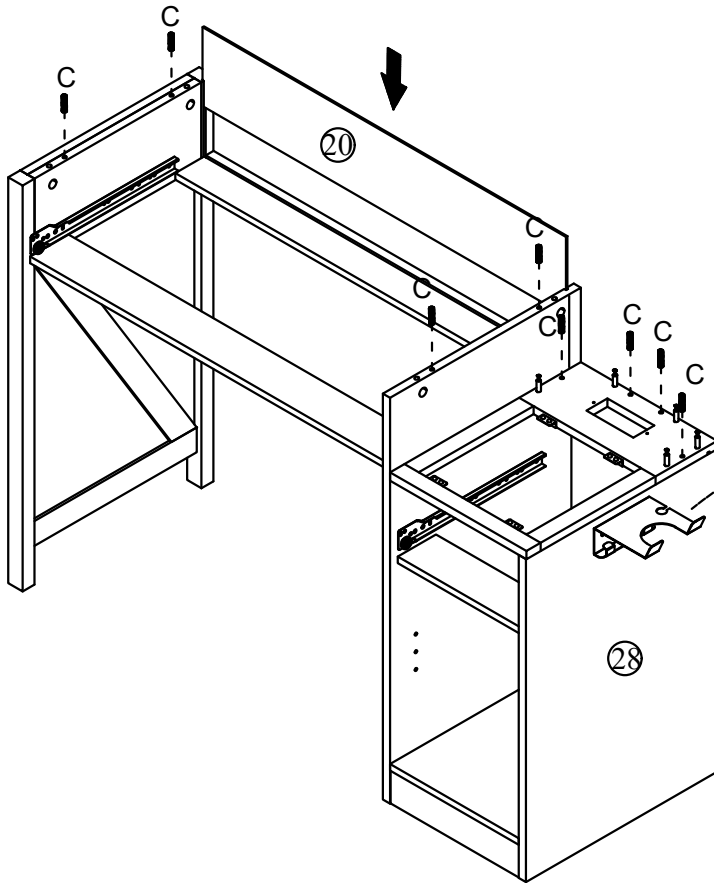
x 4

38

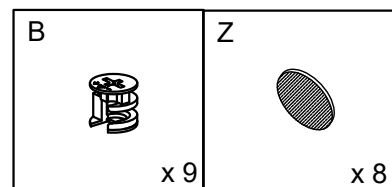
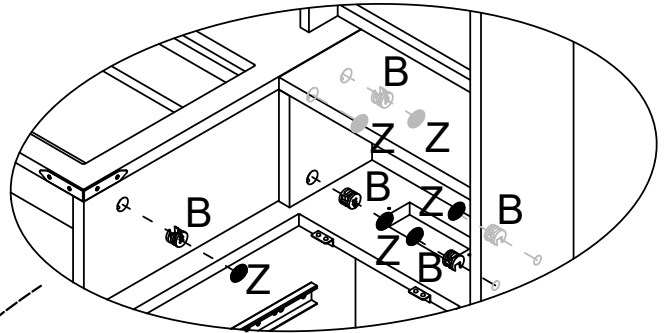
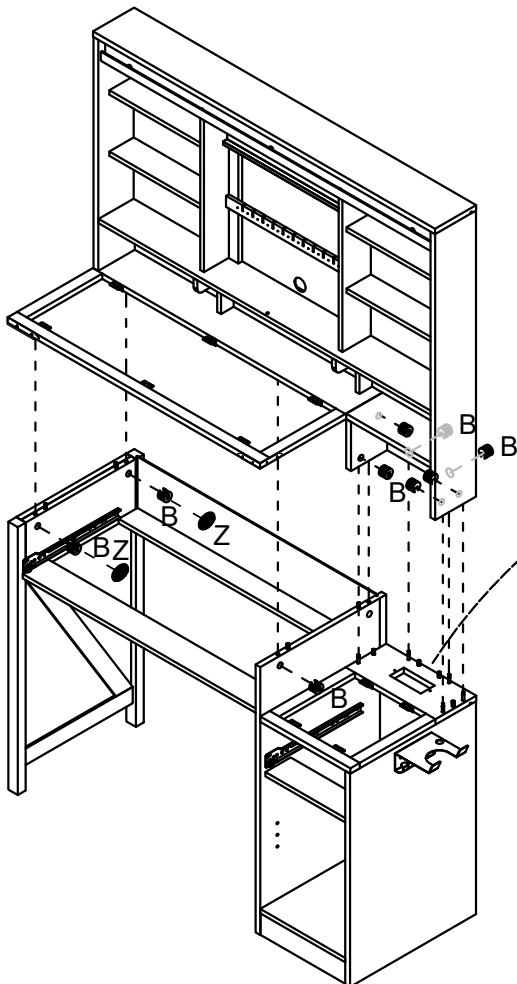


B	T
	
x 4	x 6

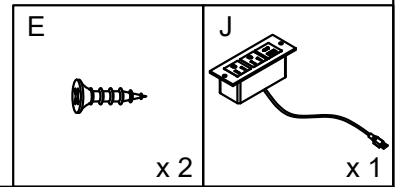
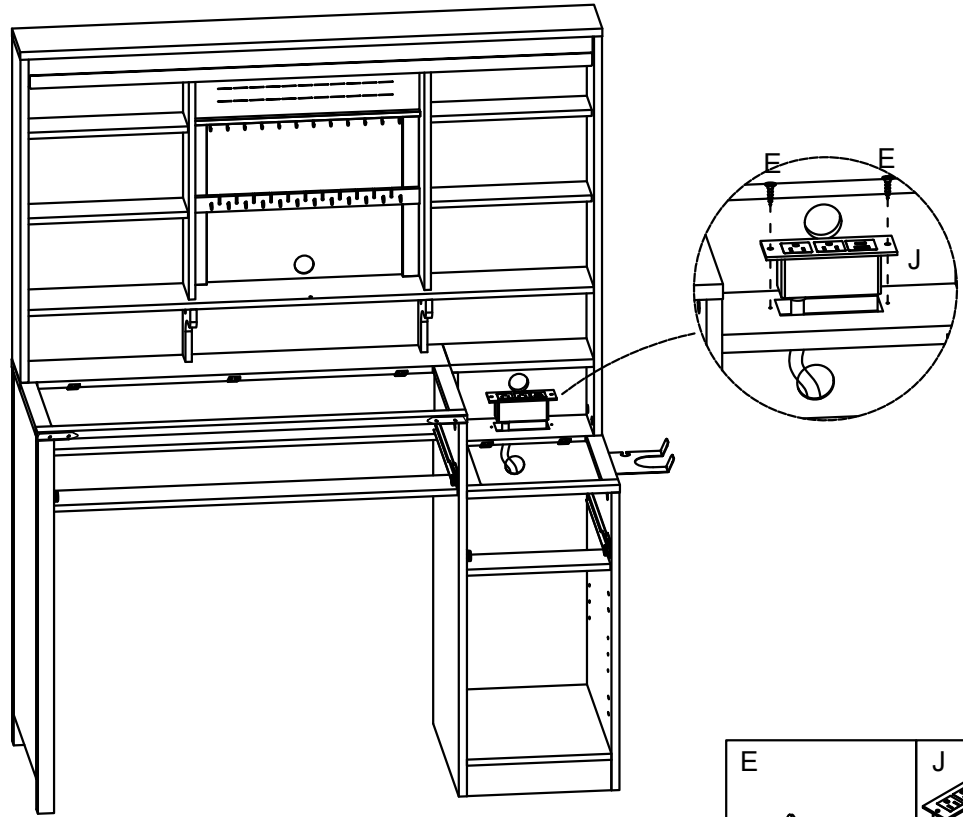
39



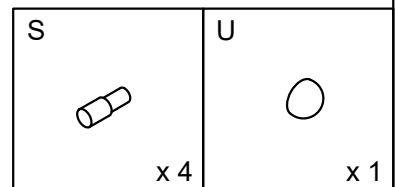
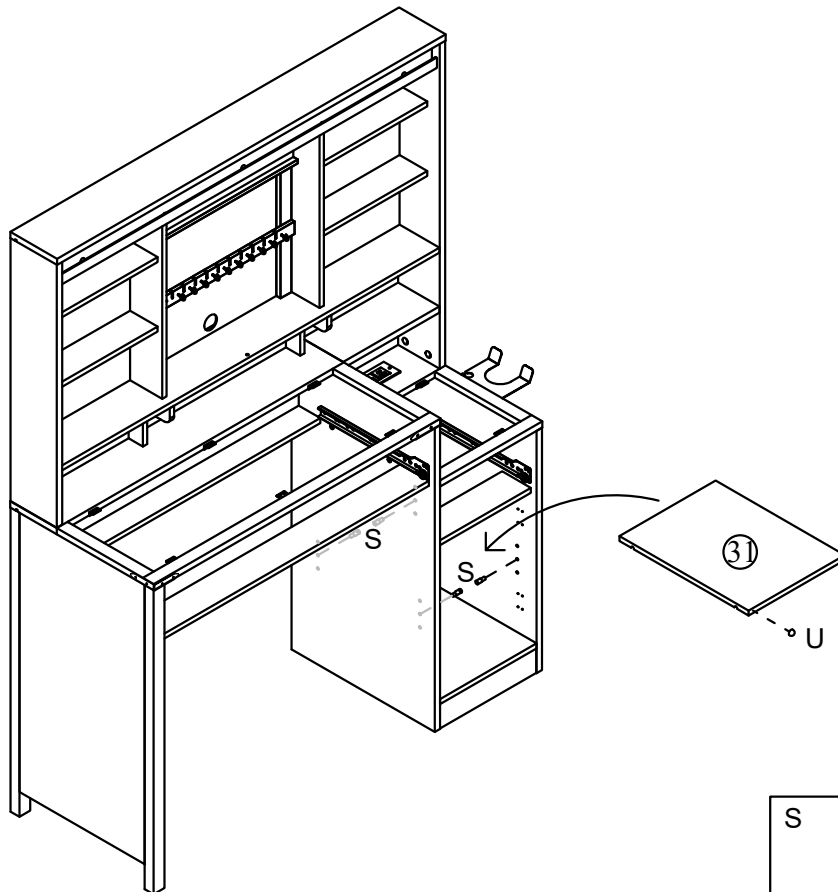
40



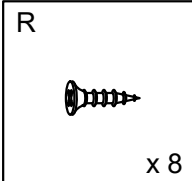
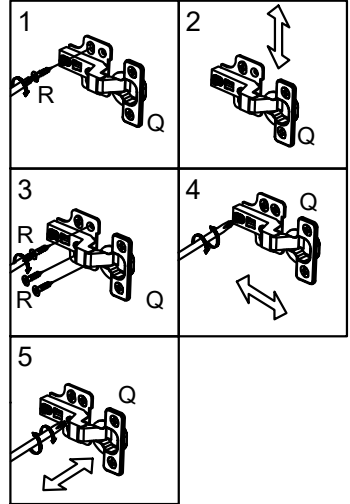
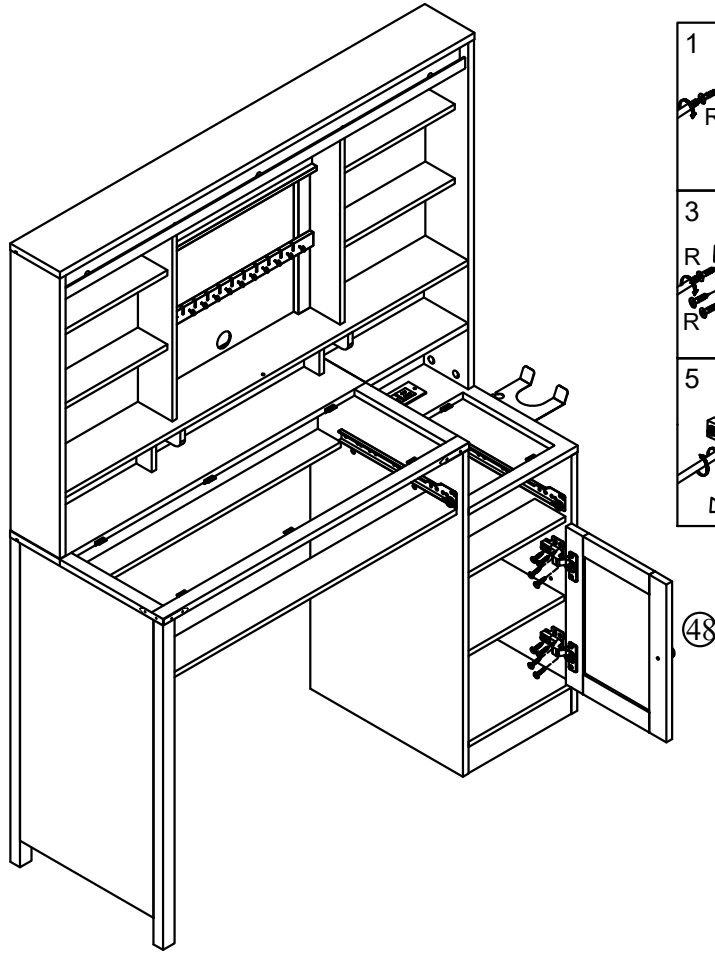
41



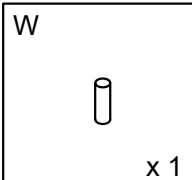
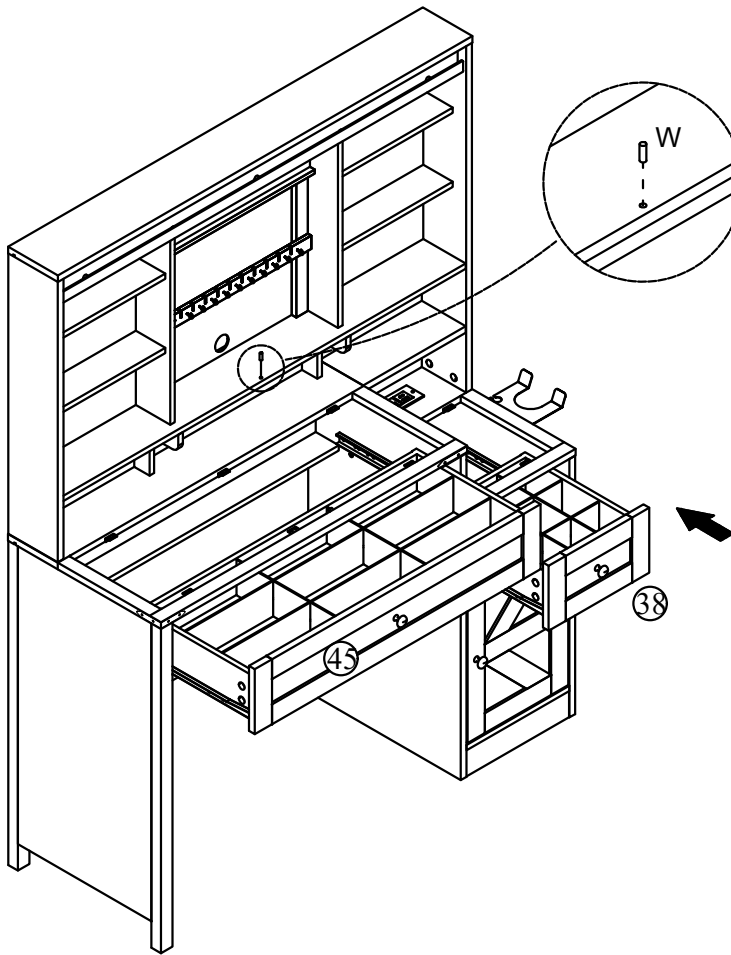
42



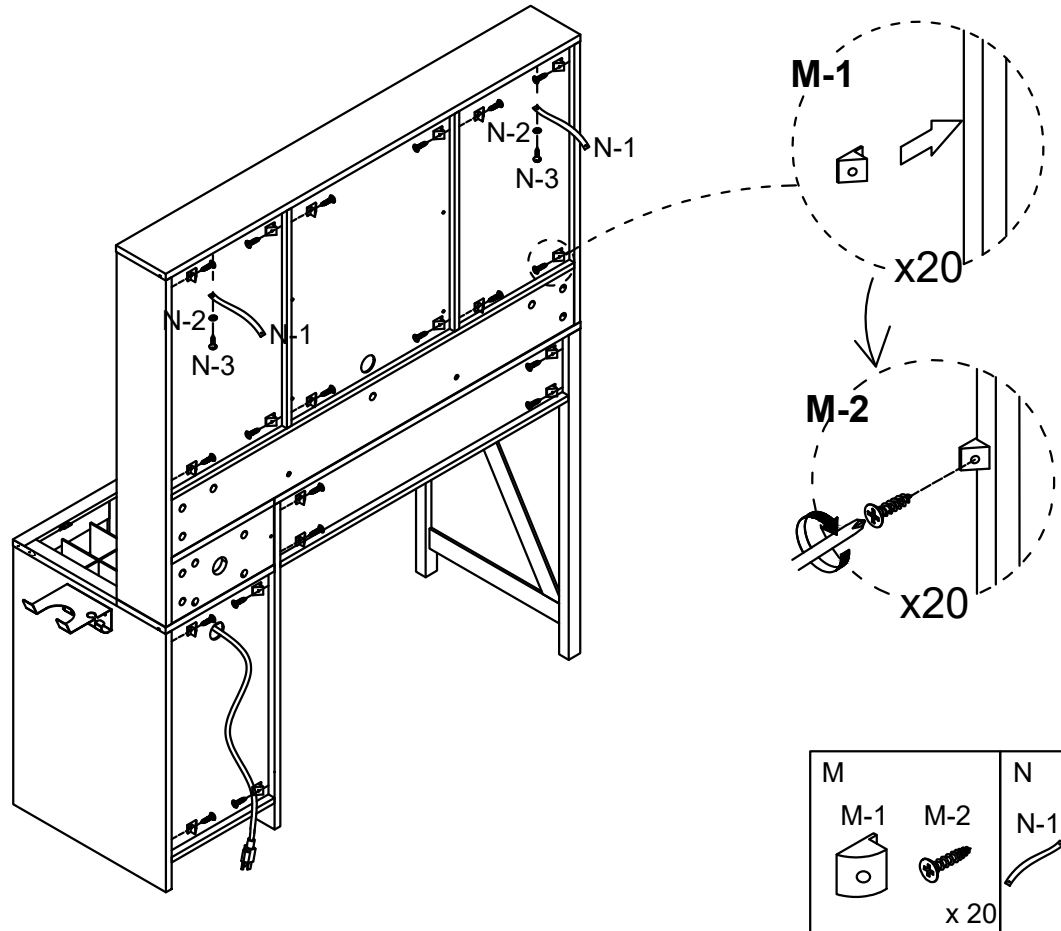
43



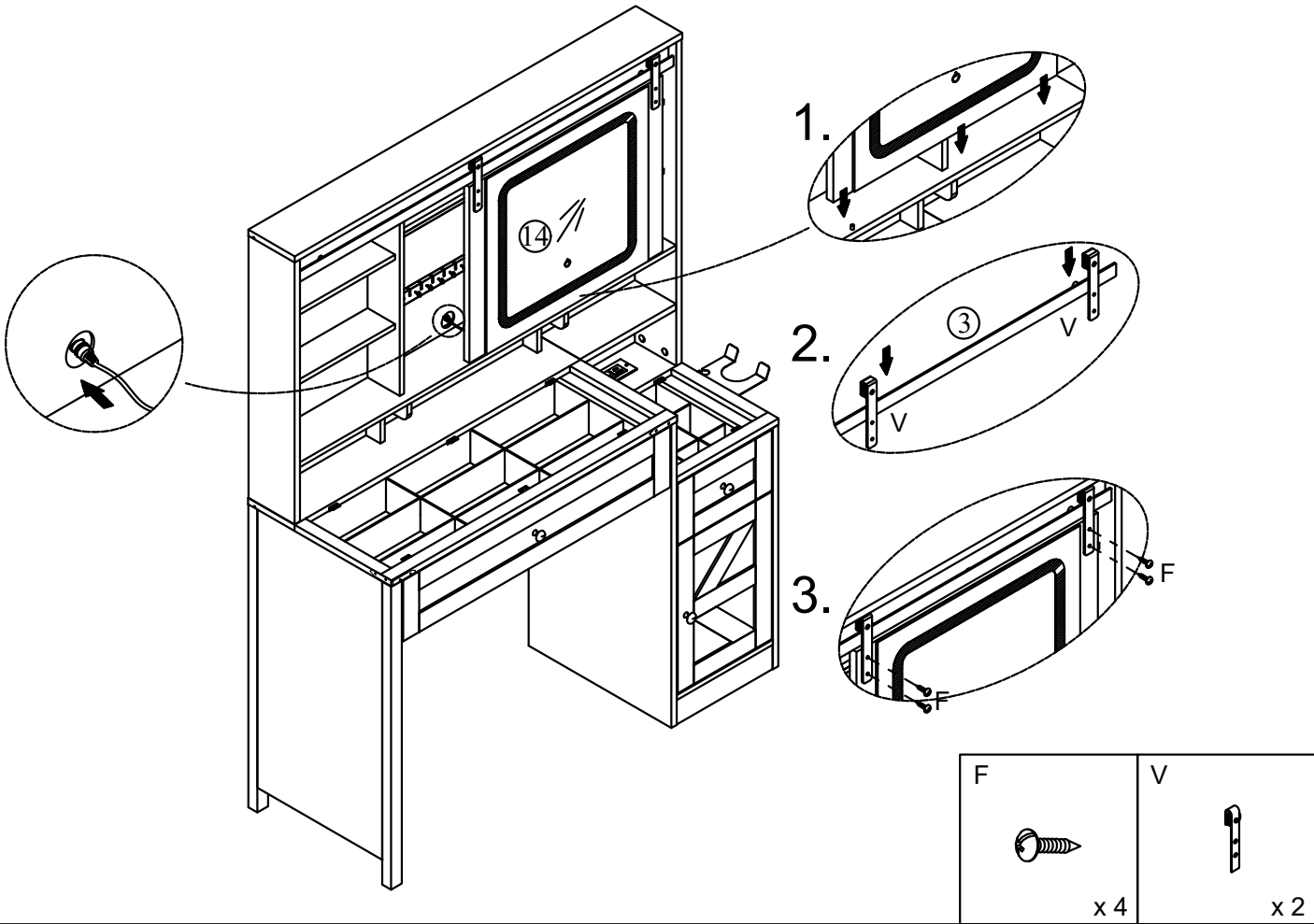
44



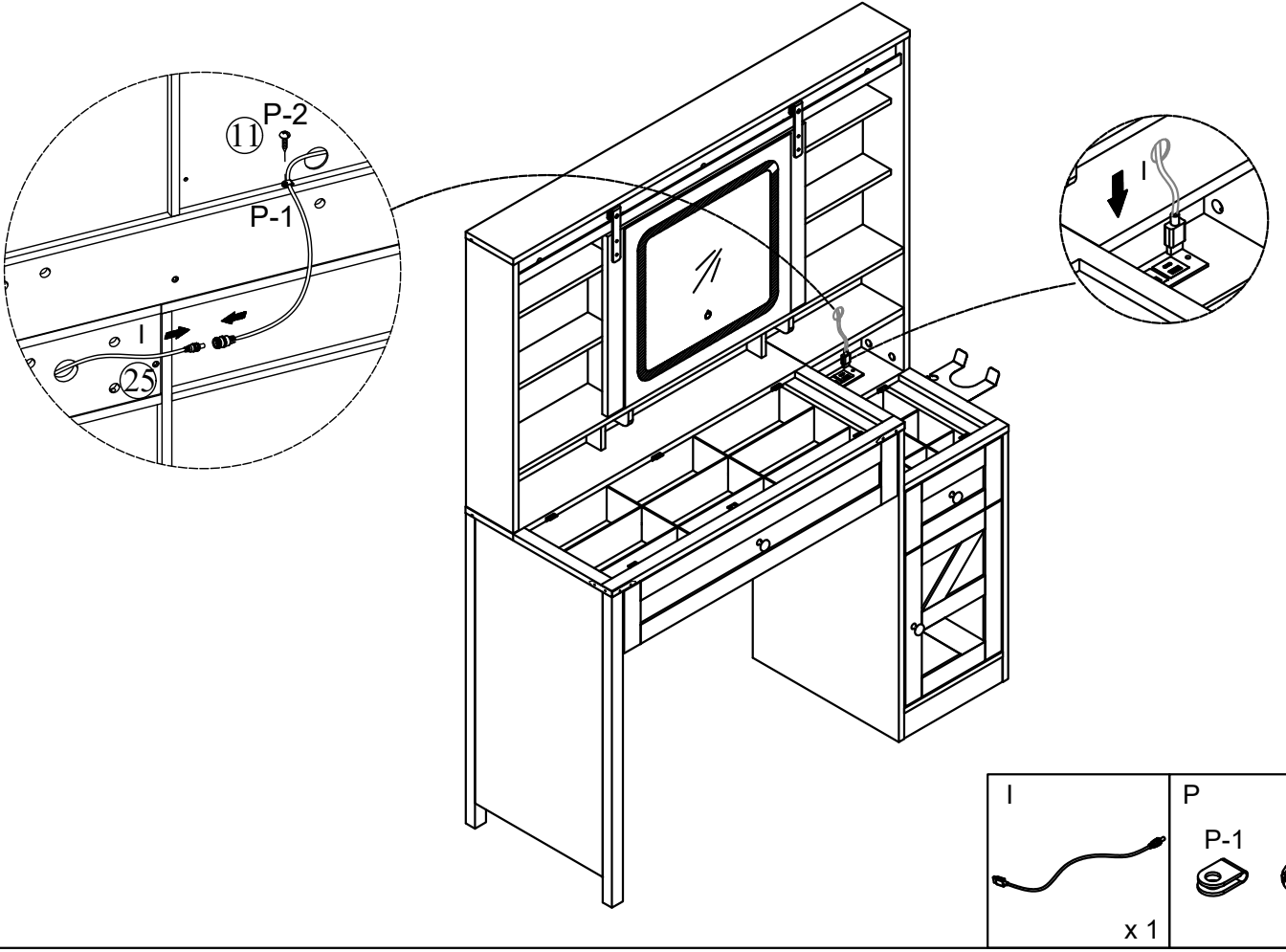
45



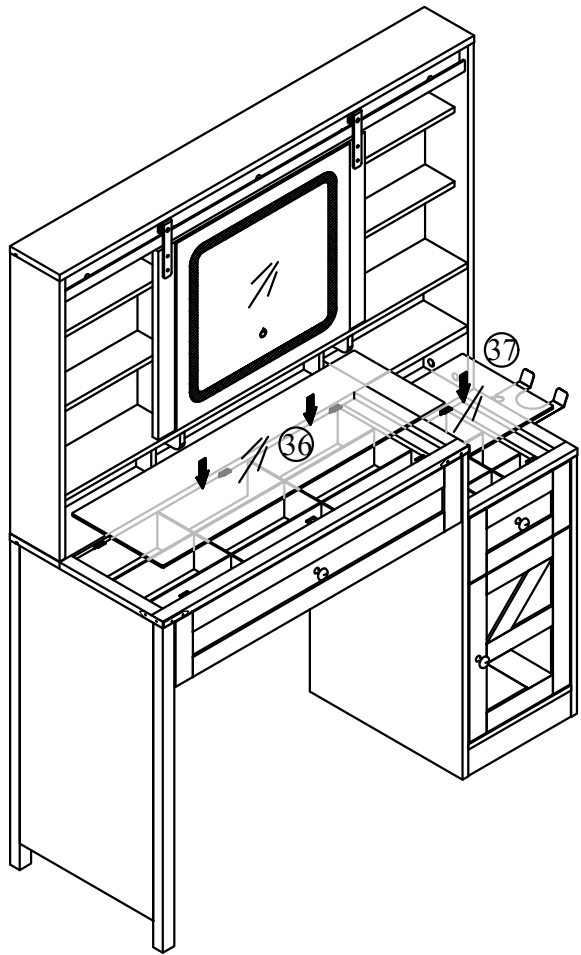
46



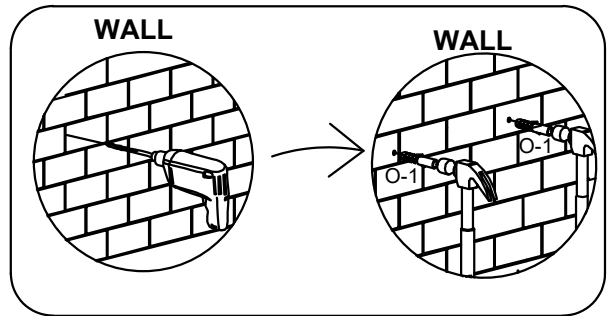
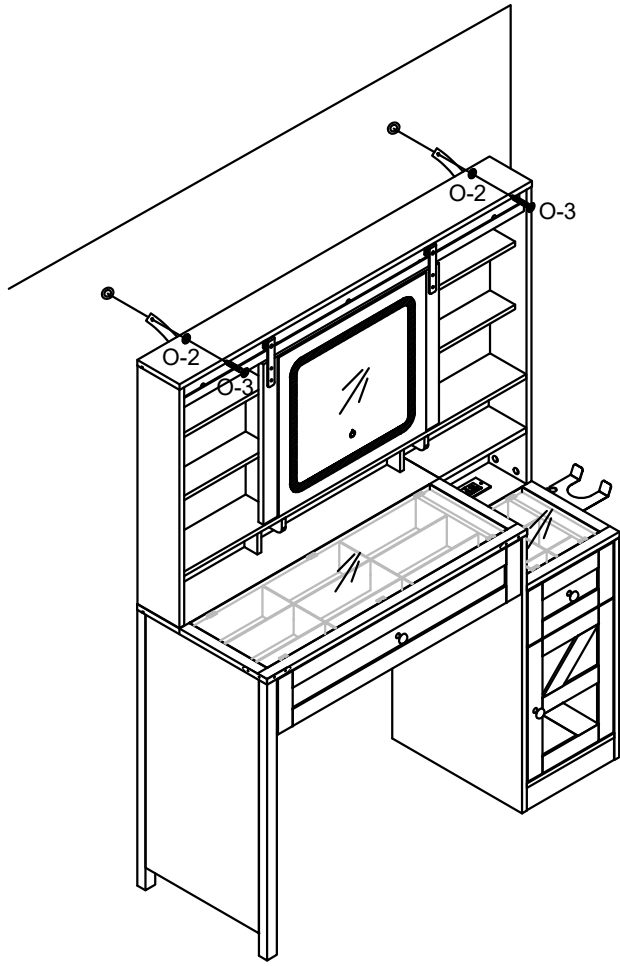
47






48



49



- O
- O-1 O-2 O-3
-   
- x 2

50

