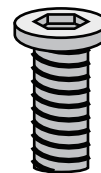
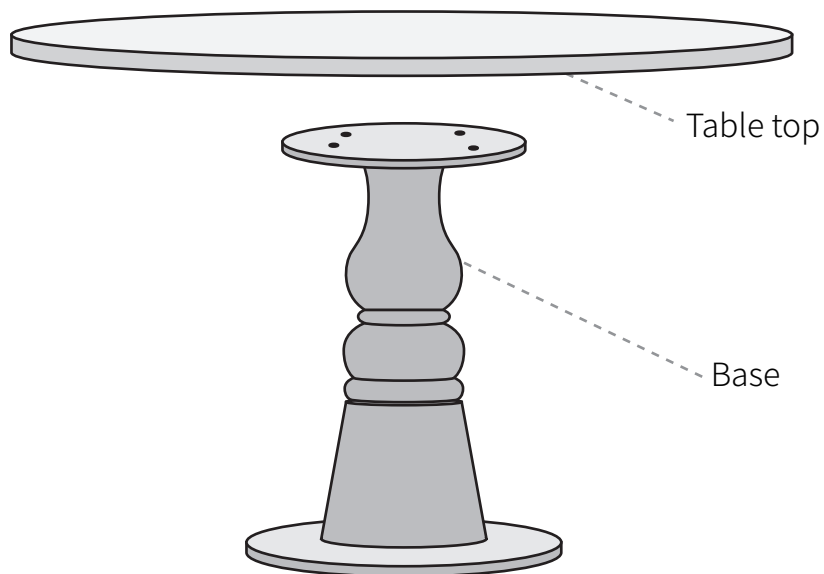


INSTALLATION INSTRUCTIONS

PARTS LIST



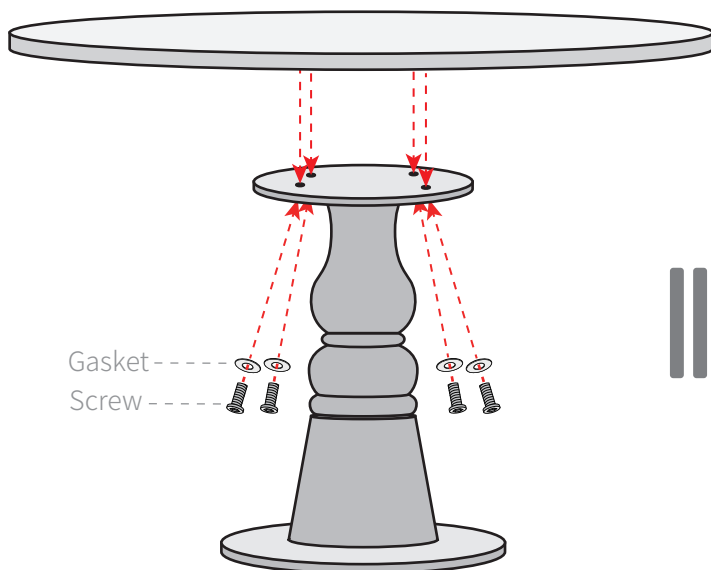
Screw x4



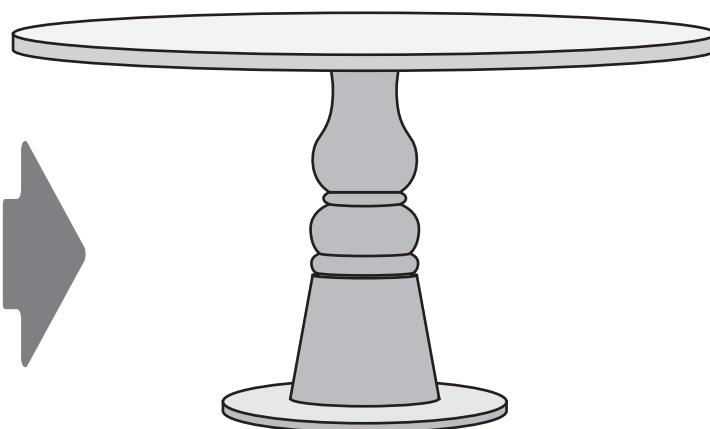
Gasket x4

The extra parts are for spare

Install the tabletop onto the base,
and secure it with screws and gasket.



Installation completed



MARBLE CLEANING. MAINTENANCE. PRECAUTIONS

· REGULAR CLEANING:

The marble should be cleaned with special cleaning agents to avoid damaging the surface structure. In general, a neutral cleaner, such as alcohol or warm water, should be used and then wiped with a clean cloth to maximize the cleaning of the surface

· DECONTAMINATION:

To remove dirt on the marble, you can use a one-time wet, and then rinse it off with water. If there is oil, you can use dish soap, but be careful not to use too much, so as not to break the internal structure of the marble.

· MAINTENANCE:

The marble should be regularly maintained with paraffin wax to increase the surface light, and to effectively protect the surface from pollution erosion. In addition, it is also important to polish the marble regularly to maintain the finish and water resistance.

· NOTE:

When cleaning, note: do not use detergent containing acid components, do not use metal or other hard objects to clean the marble, so as not to wear the surface.

MAINTENANCE OF FURNITURE

Solid wood furniture is derived from nature and requires proper maintenance methods

1. Avoid prolonged exposure to strong sunlight
2. Avoid placing it at the air conditioning outlet or near the heater, at least 1.5 meters apart
3. Keep the indoor dry humidity stable, do not dry today wet tomorrow
4. Do not contact high-temperature items directly
5. The water stains on the surface of the furniture should be dried as soon as possible
6. Do not place any corrosive objects on the surface
(such as alcohol/aromatherapy/nail polish remover/soft rubber and other products)