

## WARNING

Please read the instructions carefully and follow the assembly steps.

To ensure proper assembly, please follow all steps and use all parts provided. Not following this warning may result in serious injury to you or others.

To prevent misalignments, keep the screws loose and do not tighten them until they are all in their correct positions.

Avoid overtightening or forcing the screws, as this could cause them to break, strip, or damage the threads of the holes.

Using the wrong size of screws for a particular part could cause damage to the screw or the part.

Please lubricate all moving parts regularly and tighten all bolts and screws every 6 months, or as needed.

## SAFETY INFORMATION

WEIGHT CAPACITY FOR SEATING: 300LBS



Sit in the center of the chair with your back against the backrest



Do not sit at the front edge of the chair



Do not push the chair around when a person is sitting in it



Do not stand on the chair



Do not push down on the backrest when a person is reclined



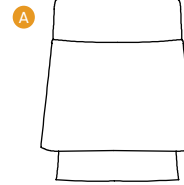
Do not use the chair with more than one person



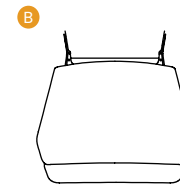
Do not place all your weight on the backrest only

## ASSEMBLY PARTS AND TOOL

PLEASE MAKE SURE ALL THE PARTS ARE INCLUDED.



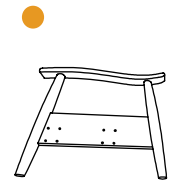
Backrest \*1



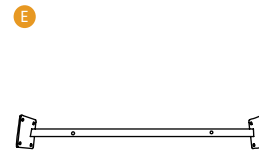
Seat \*1



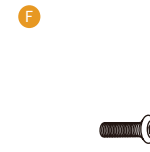
Right Leg \*1



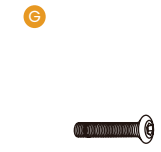
Left Leg \*1



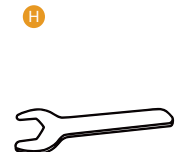
Rung \*2



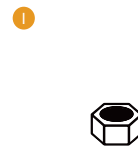
Bolt M6\*25mm \*16



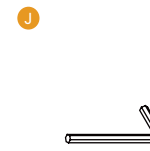
Bolt M6\*40mm \*4



Open Wrench \*1



Nut \*4



Allen Key



BEFORE YOU GET STARTED, A FEW POINTERS:



Having a friend to help makes assembly extra-easy

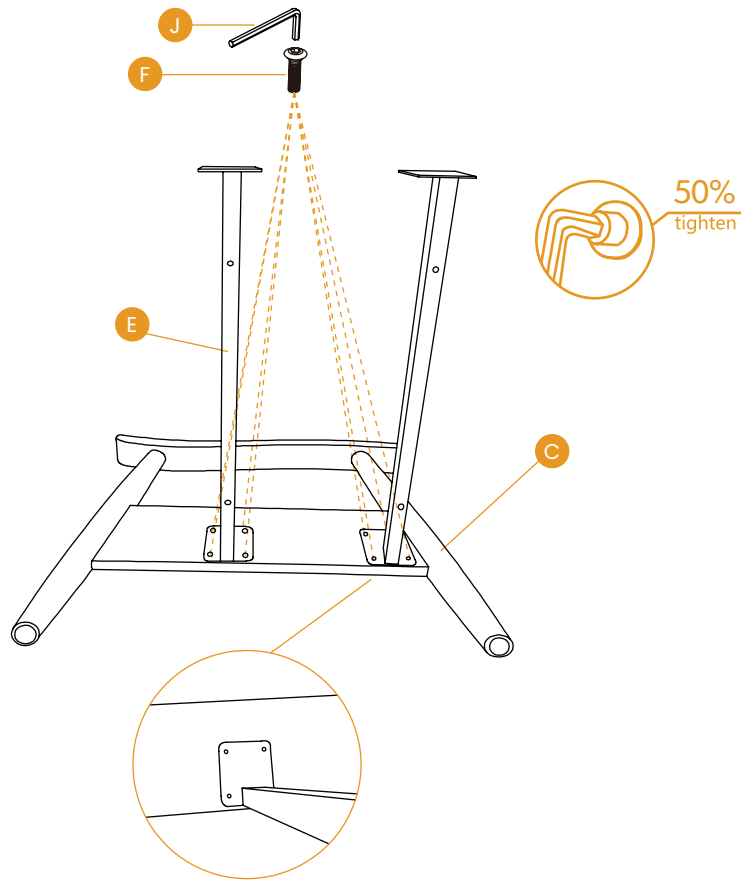


Please use the included wrench instead of an ELECTRIC HAND DRILL in case of damage to the product.

## ASSEMBLY INSTRUCTIONS

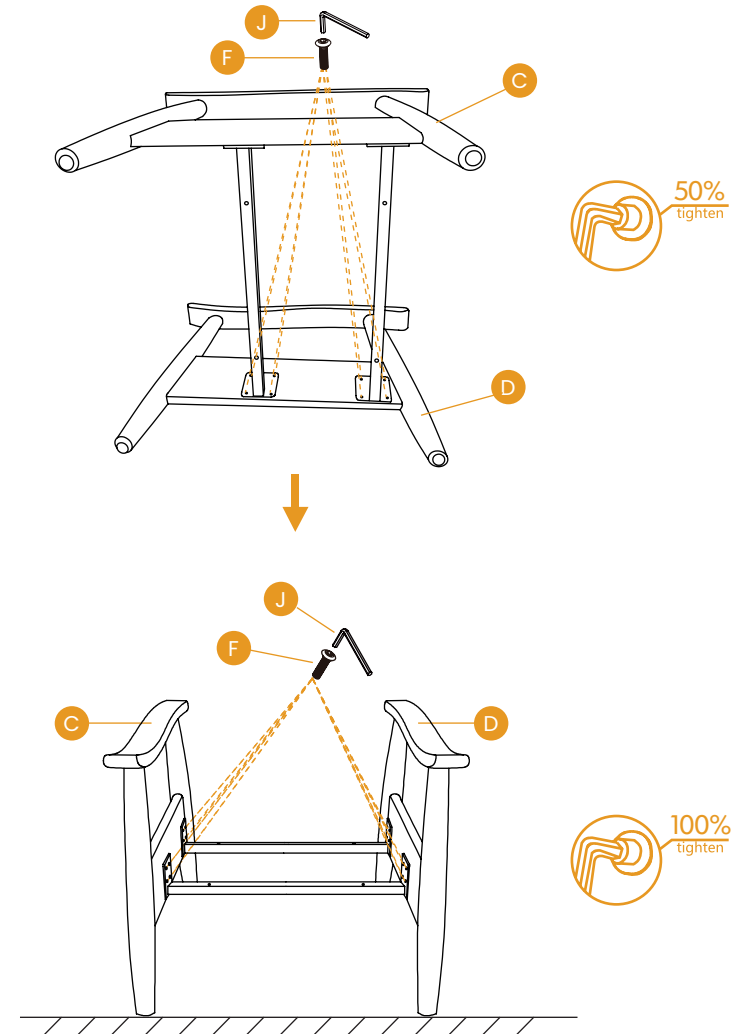
Tips: To facilitate the installation of screws, need to prepare your own tall object to hold up Seat B.

- STEP 1** Attach Two Rung E to Right Leg C, using Eight M6\*25mm Bolts F and tighten to 50% by Allen Key J.
- Note: Please pay attention to the screw holes position of Rung E, below line-drawing for your reference.



## ASSEMBLY INSTRUCTIONS

- STEP 2** Following the previous step, align the screw holes of Left Leg D and Rung E, then using Eight M6\*25mm Bolts F, and tighten to 50% by Allen Key J.
- Finally, level the seat base on a flat surface and tighten all the bolts to 100% by Allen Key J.
- Note: Legs are marked with "L" or "R" labels to show which side should be placed on.



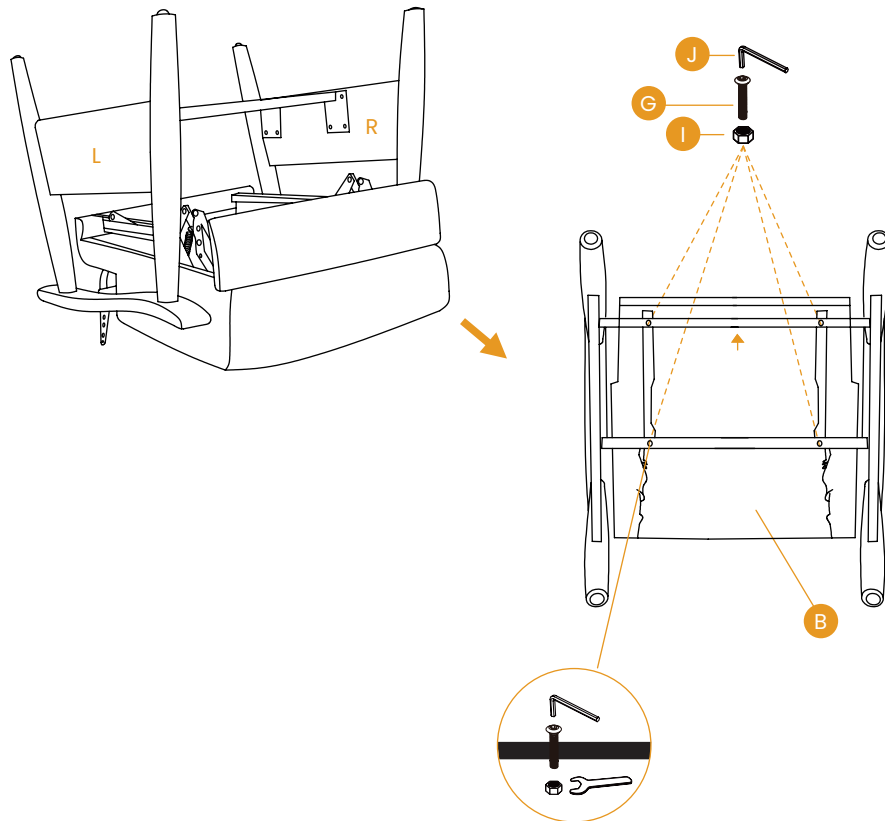
## ASSEMBLY INSTRUCTIONS

**STEP 3** Place Seat B upside down on your own tall object, then place the finished base upside down on Seat B, align the screw holes and using Four M6\*40mm Bolts G and Four Nut I to attach them, tighten to 50% by your hand. Finally, tighten all bolts and nuts to 100% by Open Wrench H and Allen Key J at same time. The finished seat part will be got.

*Noted: 1. Seat B must be supported by a high object, otherwise the screw will not be installed. If necessary, please scan the QR code on Instruction's last page and refer to Installation Video to assemble your chair*

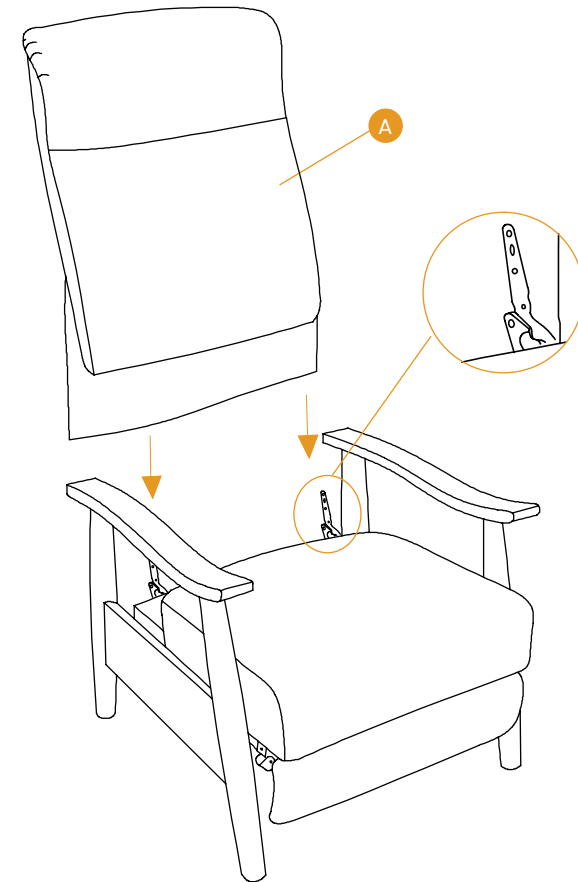
*2. Please pay attention to position of screws and nuts, below line-drawing for your reference.*

*3. Please pay attention to the installation of M6\*40mm Bolts G and Nut I requires Open Wrench H and Allen Key J at same time, below line-drawing for your reference.*



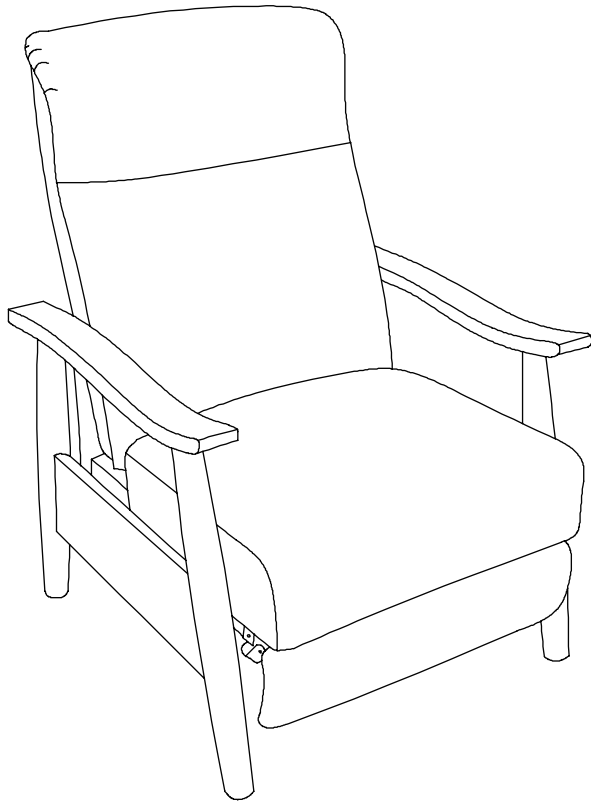
## ASSEMBLY INSTRUCTIONS

**STEP 4** Insert Backrest A into the finished seat part, press down the backrest until the connection is secure.



## ASSEMBLY INSTRUCTIONS

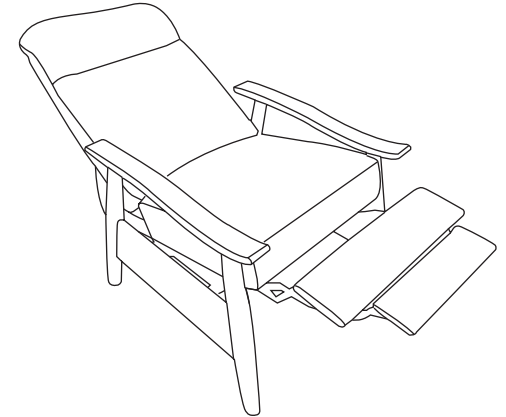
**STEP 5** Now your chair is successfully assembled.



## PRODUCT FUNCTION

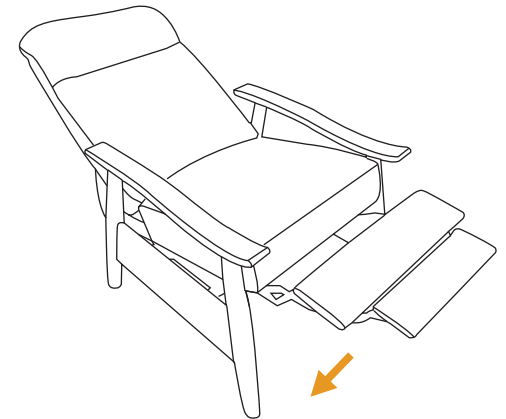
### 1.Reclining:

Lean back and you can recline comfortably in the chair.



### 2.Retracted:

Kick the pedal down with your lower legs to bring the sofa back to its original state.



## LIMITED WARRANTY

COLAMY promises to repair or replace any COLAMY chair that is found to be defective in material or workmanship within one year from the date of original purchase, as long as you, the original purchaser, still own it. This is your sole and exclusive remedy under this warranty, subject to the provisions outlined below.

## EXCLUSIONS

This warranty does not apply to, and no other warranty applies to:

- Normal wear and tear, which is to be expected over the course of ownership.
- Misuse, abuse, or excessive use of the product.
- Modifications or attachments to the product that are not approved by COLAMY.
- Products that were not installed, used, or maintained in accordance with the product instructions and warnings.
- Products used for rental purposes or unauthorized retail activities.
- Seating Usage: Normal use for seating is defined as equivalent to a single shift, forty-hour (40) workweek. If the seating product is used in a manner exceeding this, the applicable warranty period will be proportionately reduced.

## RETURN POLICY

We offer a 30-day return policy, meaning that all products purchased through this website may be returned to us within that timeframe. You must contact us within 30 days of receiving the product(s), and they must be returned to us without any undue delays.

### CONDITIONS:

- Returned products must be in the same condition as received and returned in their original packaging.
- If the product is not faulty (i.e., if you change your mind or are unhappy with the product for another reason), you are responsible for the cost of return shipping. You must ensure the package arrives safely to us, so we recommend using a courier service that offers tracking.

## LIMITED WARRANTY

- If the product is faulty when received, please contact us, and we will assist you with the return, covering the shipping costs in this case.
- We reserve the right to offer partial refunds for returned products that are not in unused condition, are damaged, or have missing parts not due to our error.

## HOW RETURNS WORK

To request a return, please fill out the contact form on our website and attach a copy of your invoice as proof of purchase, along with the reason for the return.

We will provide the return address for the product as soon as possible. Once the returned product is received and inspected, we will provide a specific resolution.

If the return is approved, the refund amount will be automatically credited to your original payment method.

## MAINTENANCE INSTRUCTIONS



Dust and clean up spills immediately using a clean, non-colored, lint-free cloth.



Use a mild soap solution and a damp cloth to remove stains.



Do not place hot items directly on the furniture surface without using a protective barrier.



For indoor use only. Do not place the furniture outside.



Do not place furniture in direct sunlight.



Do not write on the furniture surface without a padded barrier to protect it.



Do not clean furniture with harsh cleaners or polishes.



Do not place furniture near heating or cooling vents (keep at least 3 feet away)