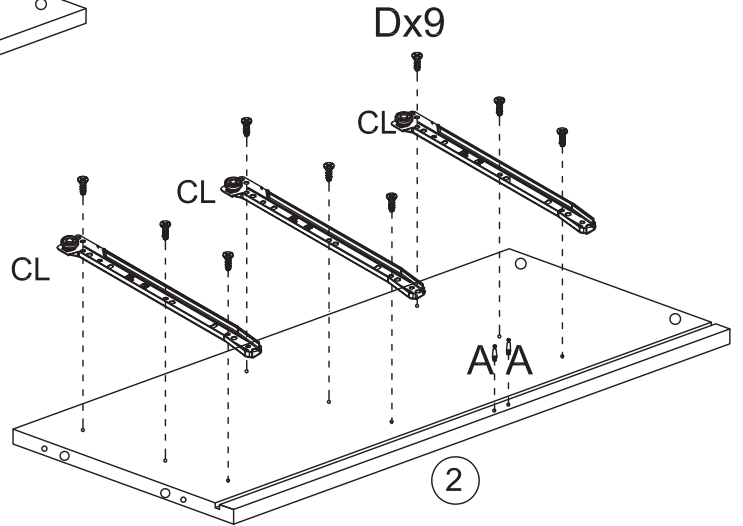
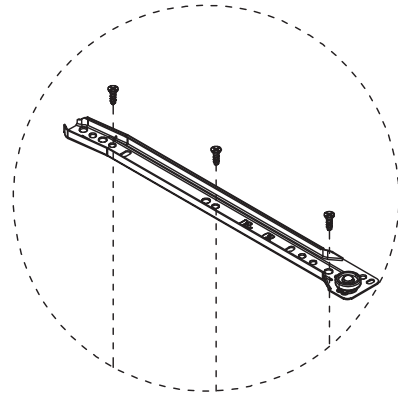
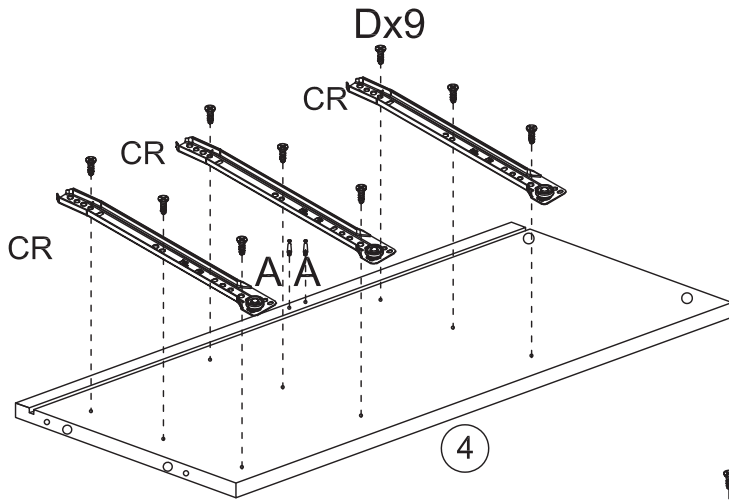




# 1



Ax4



CLx3

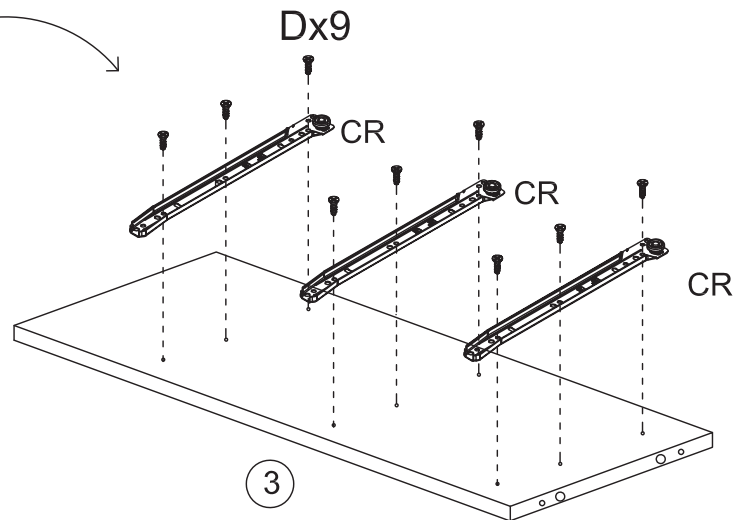
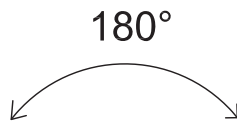
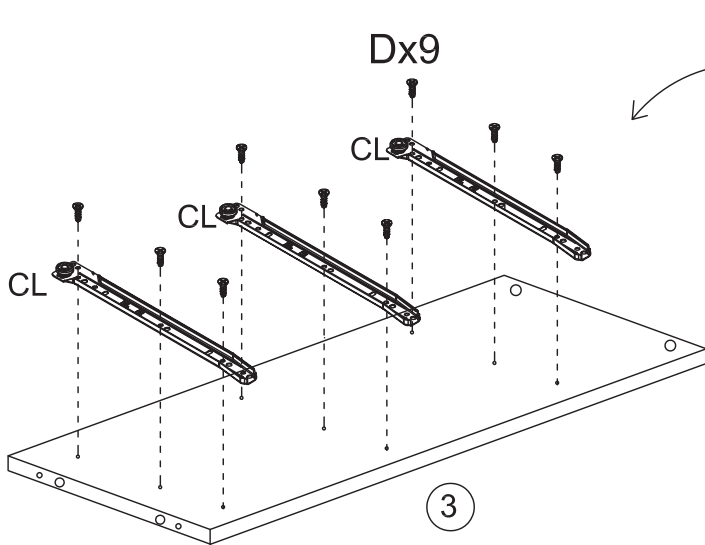


Dx18



CRx3

# 2



CLx6

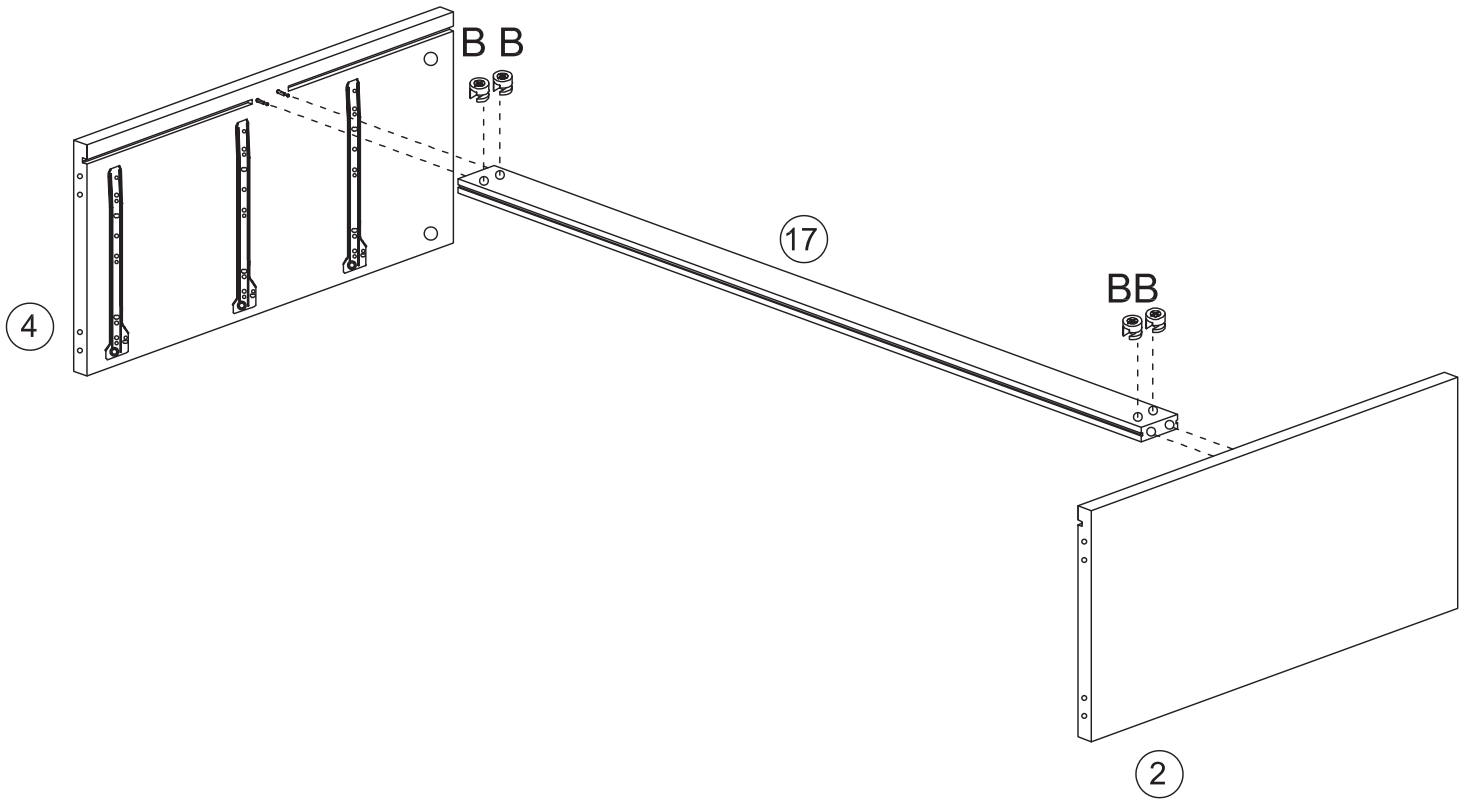


Dx18



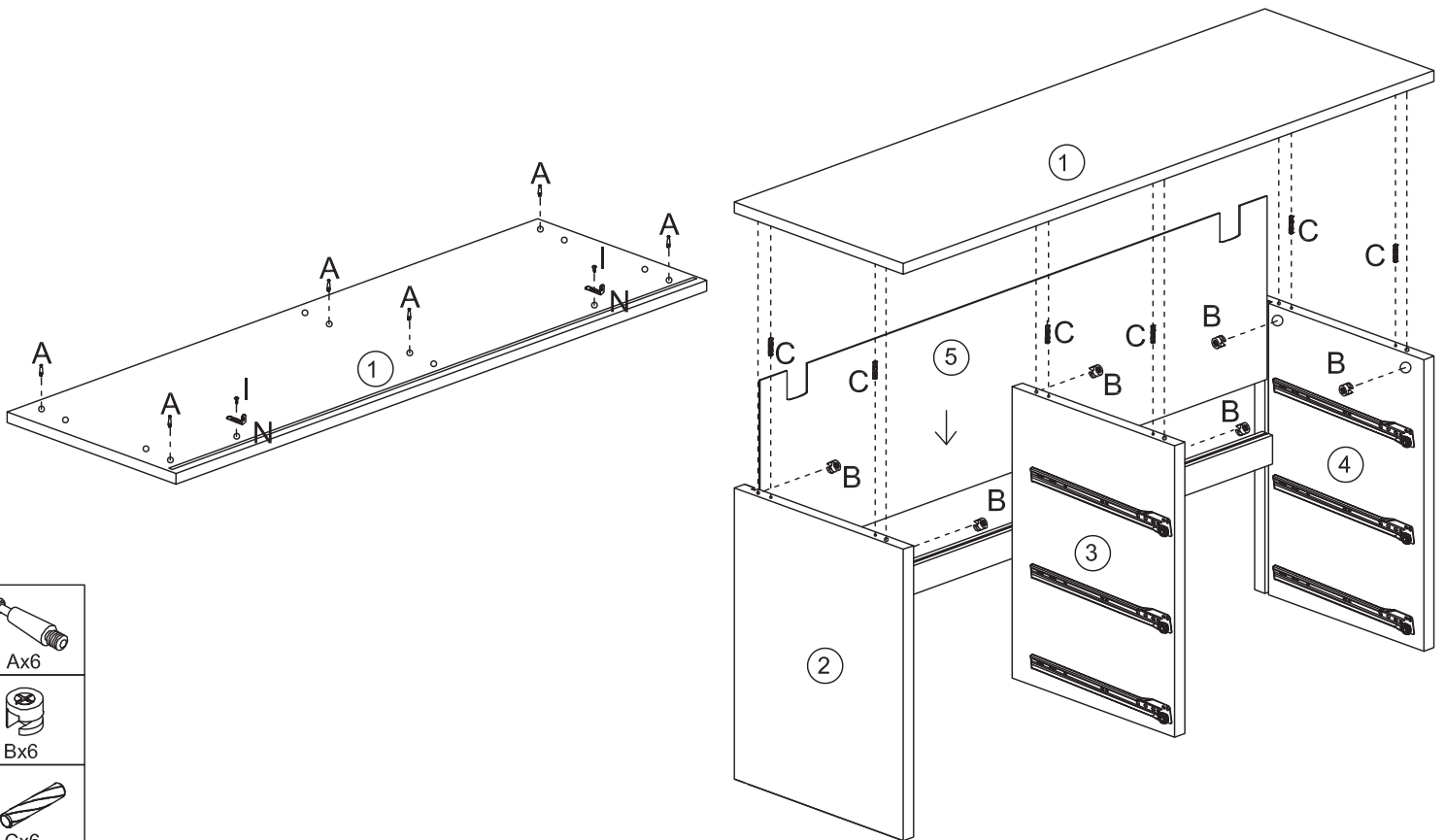
CRx6

# 3



Bx4

# 4



Ax6



Bx6



Cx6

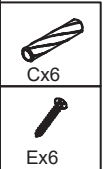
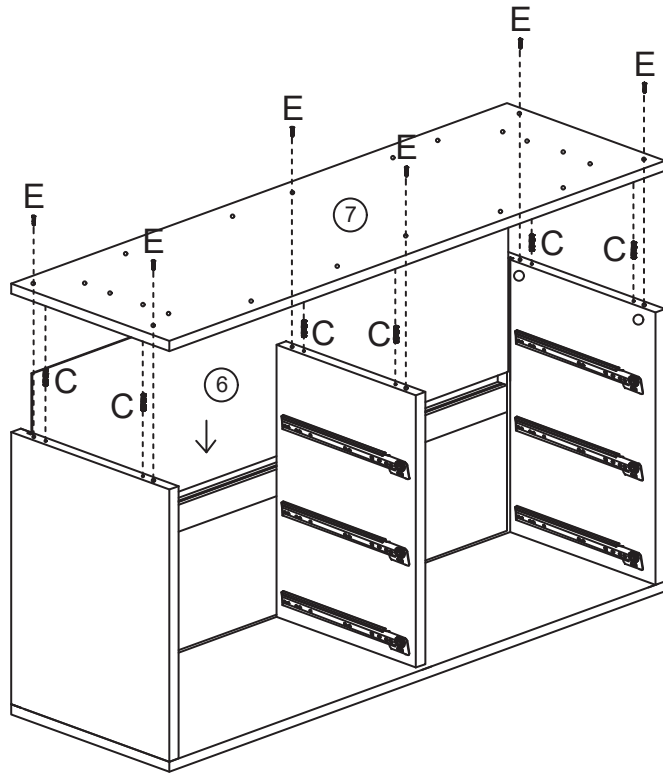


lx2

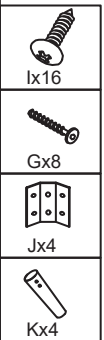
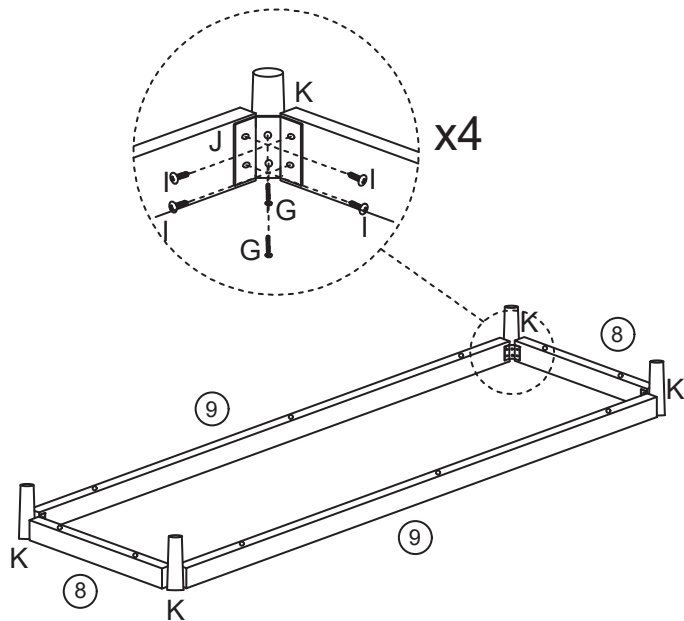


Nx2

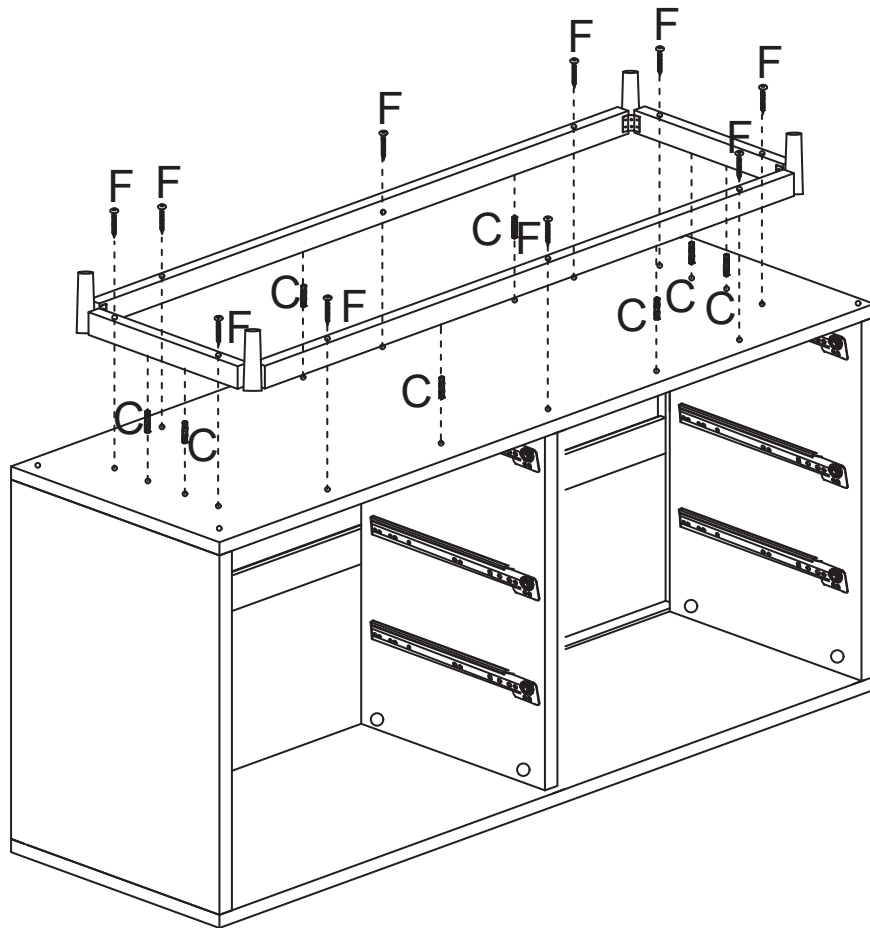
5



6



7

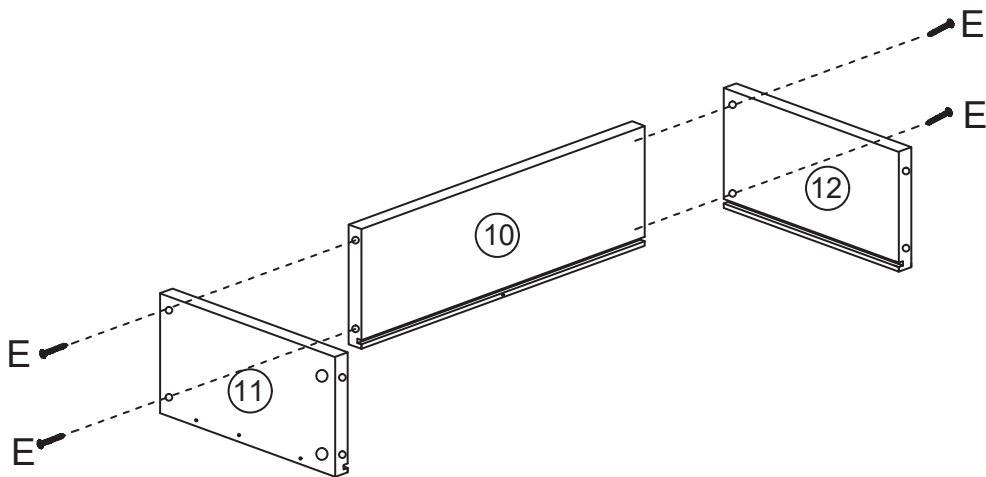


Cx8



Fx10

8

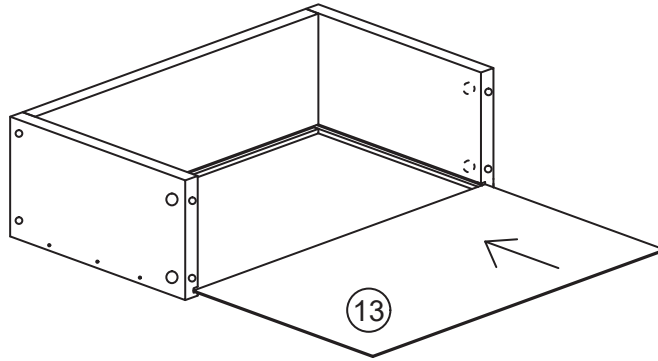


x6



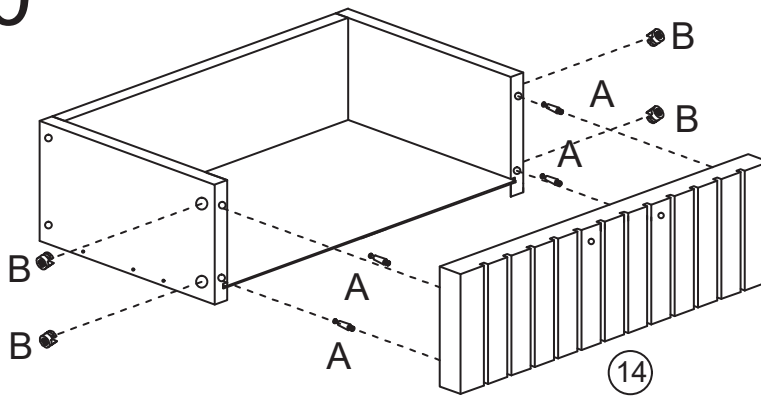
Ex24

9

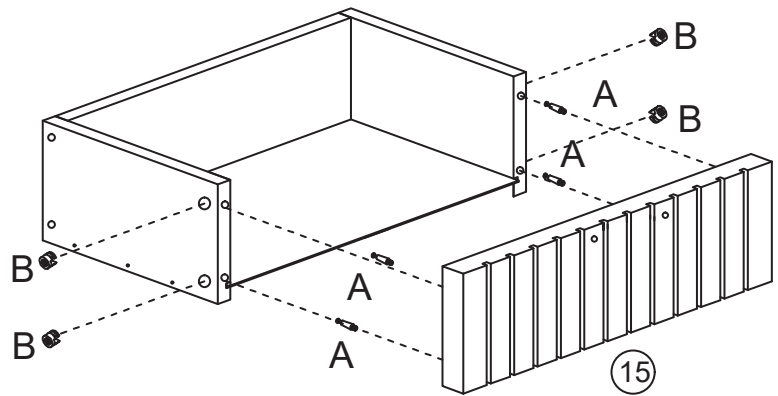


x6

10



x3



x3

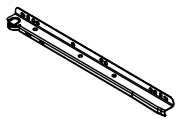
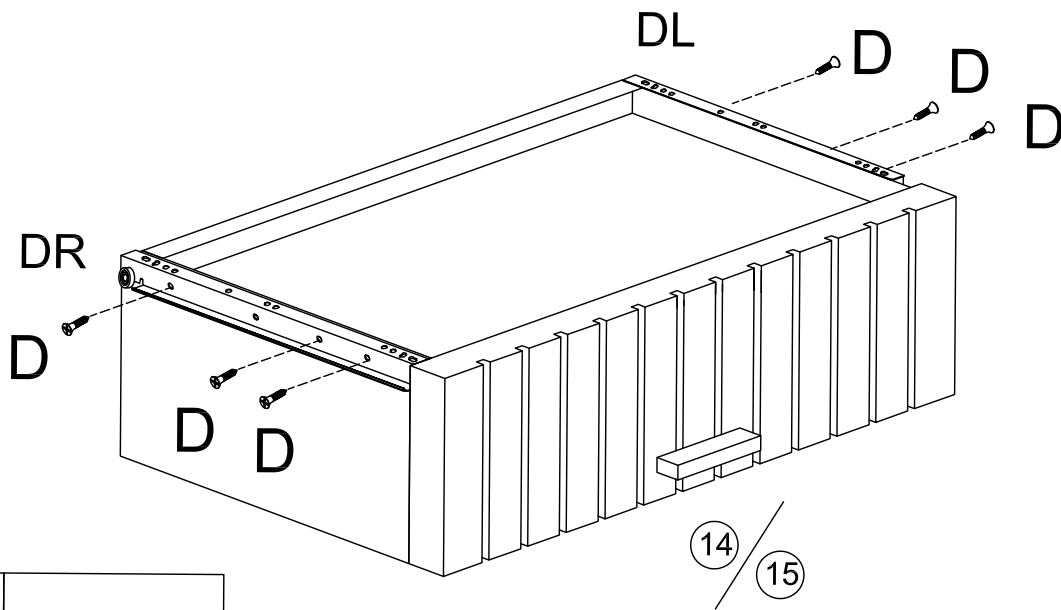
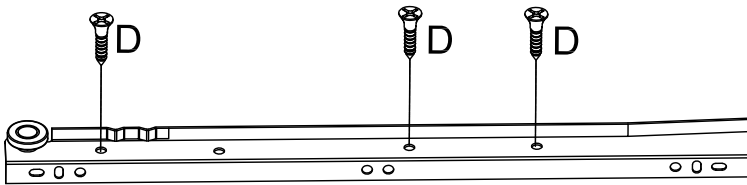
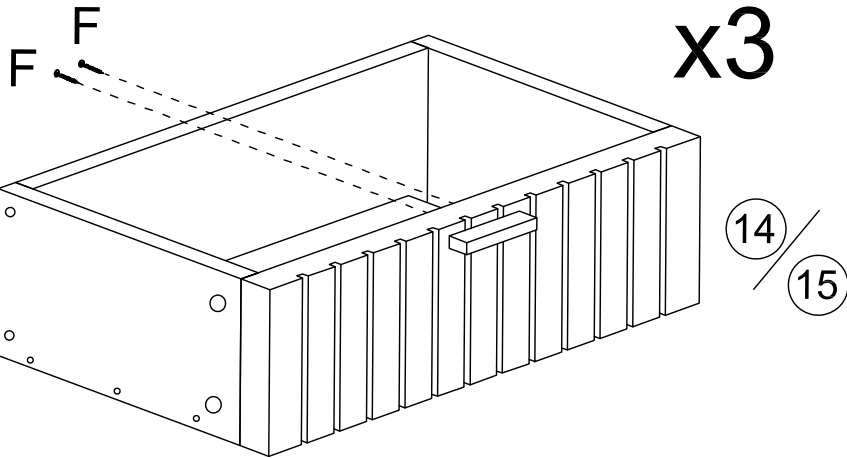
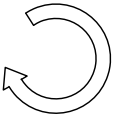


Bx24

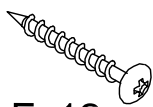


Ax24

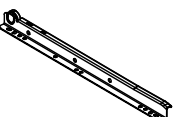
# 11



DLx6



Fx12



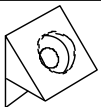
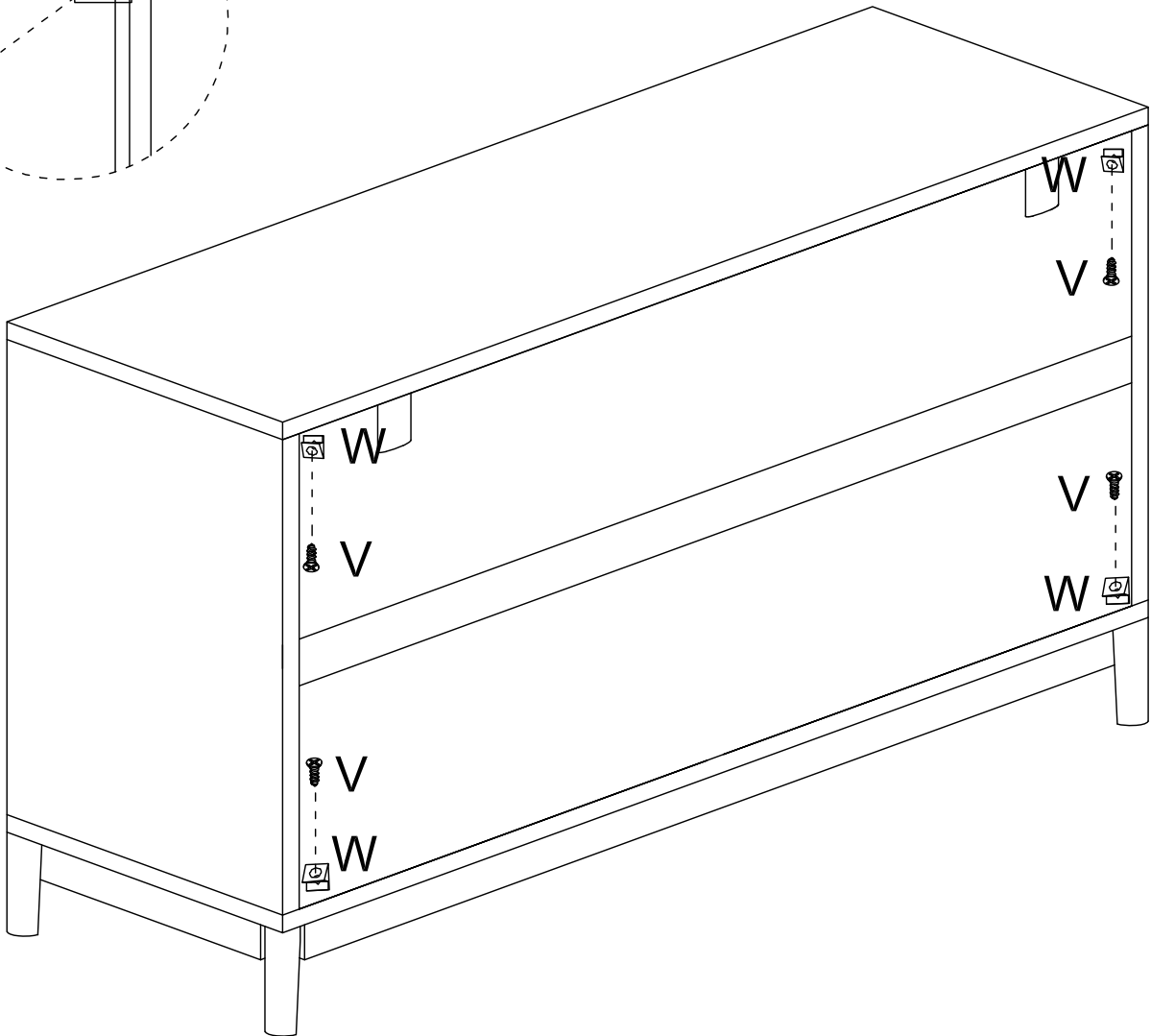
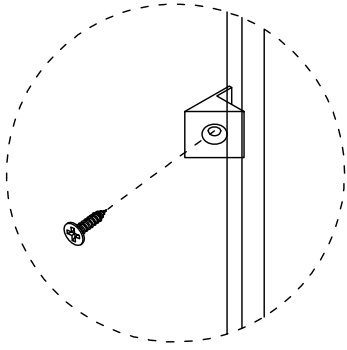
DRx6



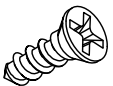
Dx36

# x3

# 12

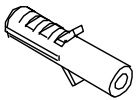
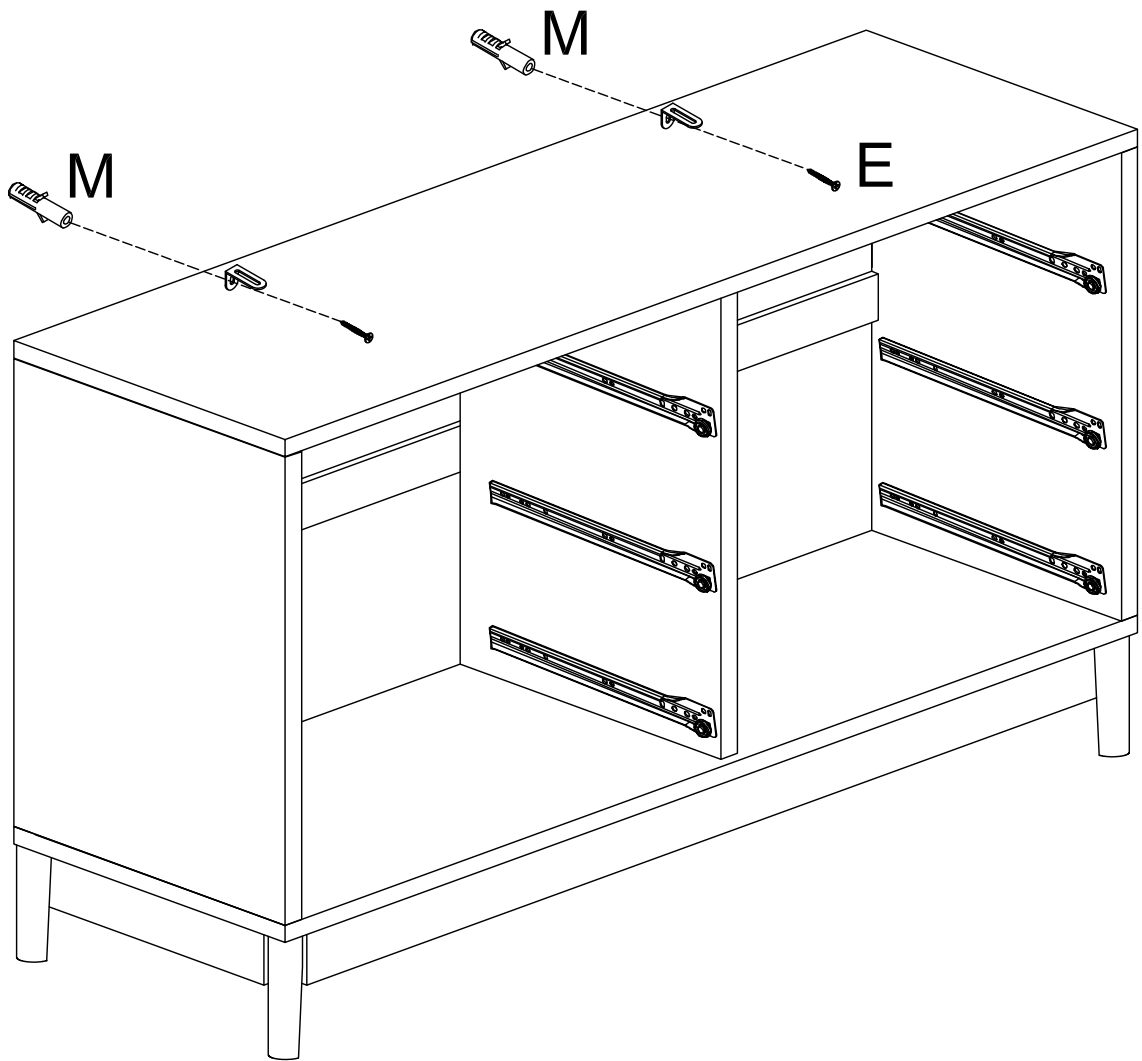
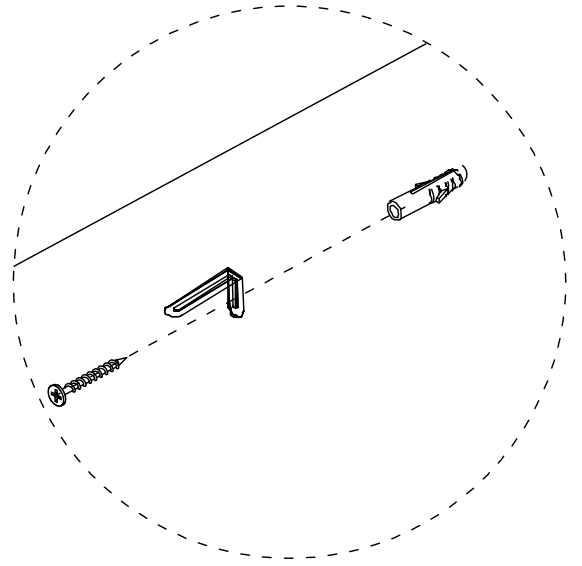


Wx4



Vx4

# 13



Mx2



Ex2

# 14

