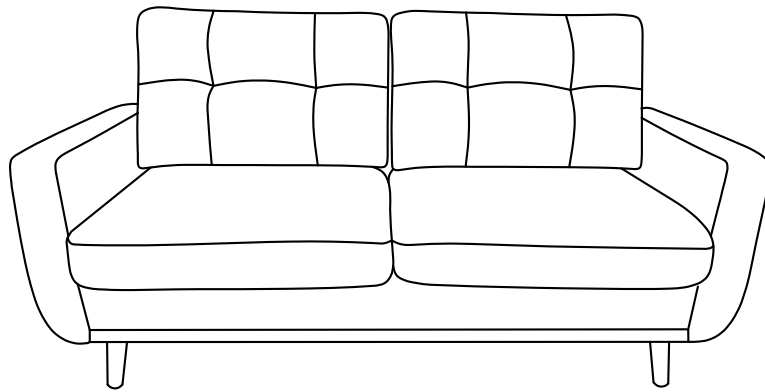


ASSEMBLY INSTRUCTION

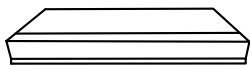
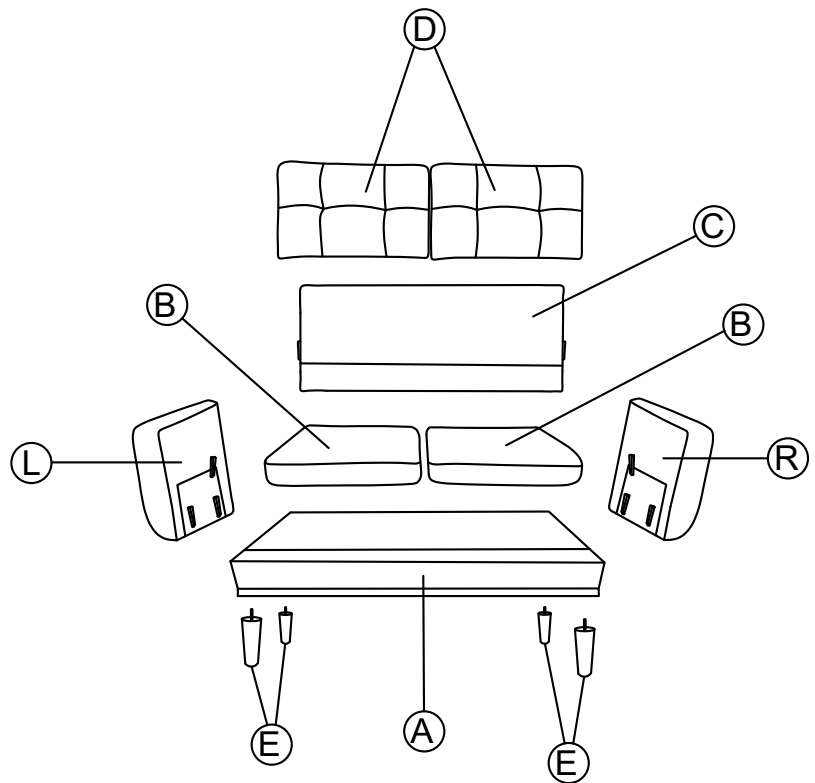
LOVESEAT



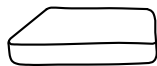
Product Diagram

Parts

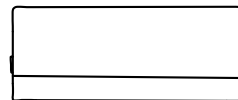
- A. Pedestal
- B. Cushion (seat)
- C. Backrest
- D. Cushion (back)
- E. Sofa legs
- L. Armrest (left)
- R. Armrest (right)



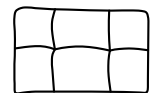
A x1



B x2



C x1



D x2



E x4

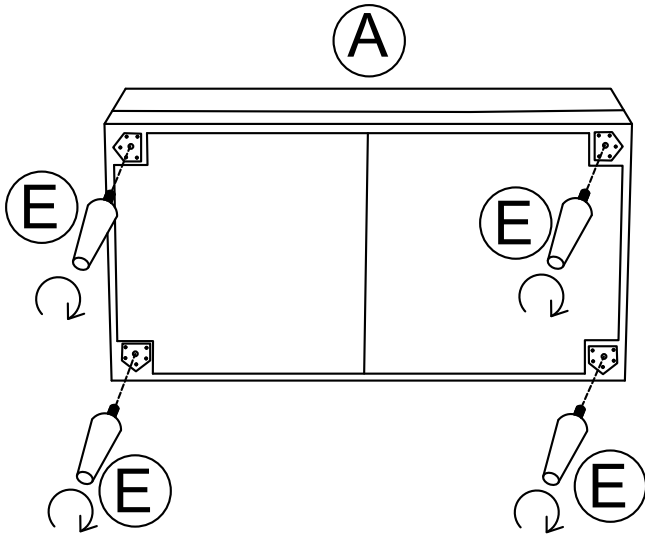


L x1

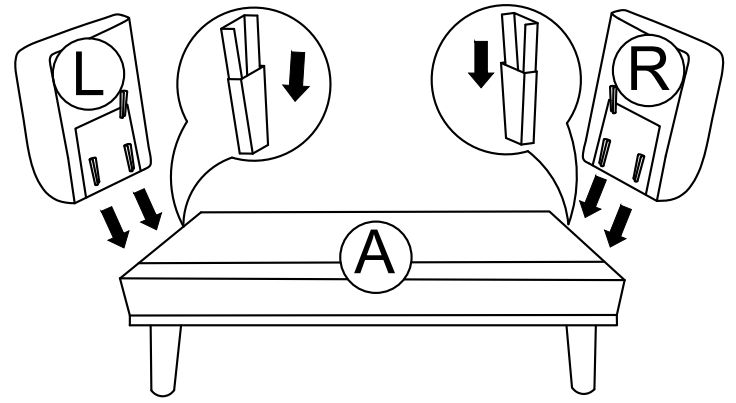


R x1

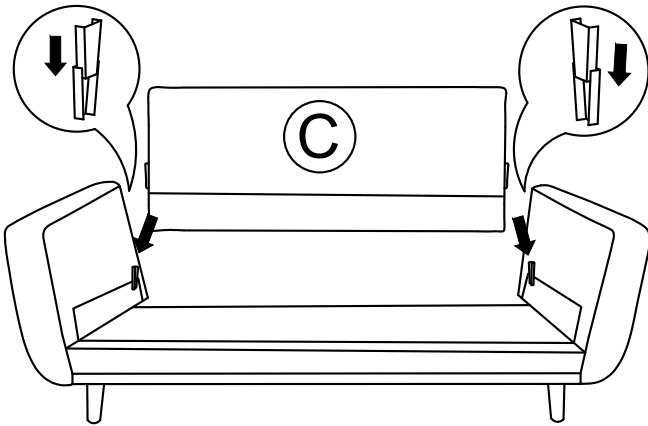
Step 1



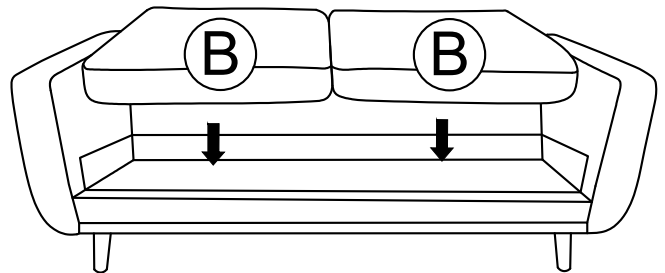
Step 2



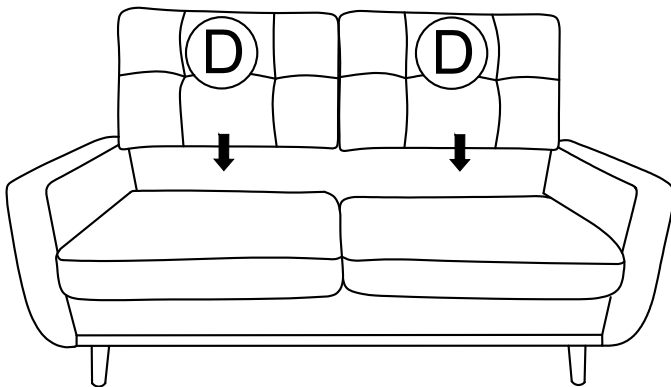
Step 3



Step 4



Step 5



Step 6

