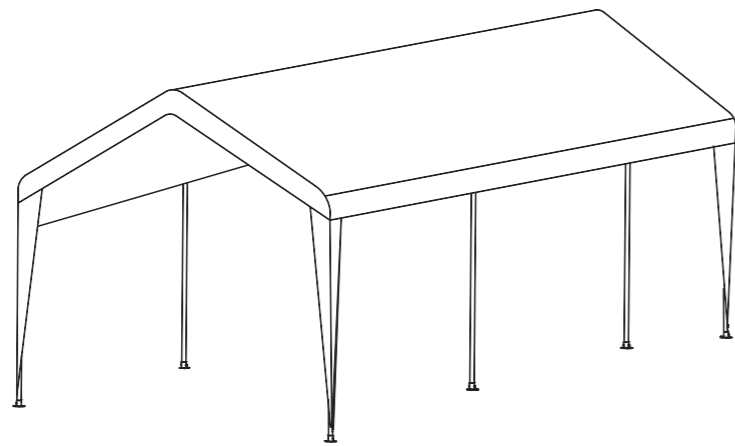


12*20FT Carport



Thank You For Purchasing Carport

Parts List

① steel pipe(the roof tube) 8pcs	② steel pipe(the roof tube) 9pcs		
③ steel pipe (the leg tube) 8pcs	④ expansion screw 8pcs	⑥ gloves 2pcs	
⑤ Four-Way Connector 6pcs	⑥ Three-Way Connector 6pcs	⑦ base plate 8pcs	⑧ 9 type ground nail 8pcs
⑨ 7 type ground nail 8pcs	⑩ ball bungee cords 44pcs	⑪ M6X45mm screw 8pcs	⑫ wrench 2pcs
⑬ wind rope 8pcs	⑭ cover 1pc	⑨	1PC

Please pay attention to choosing a suitable place before building the carport so that you can insert type 7 ground nails or expansion screw ground nails. Please read the instruction manual carefully before using it. Please assemble strictly according to the instructions. Please double-check to ensure that all parts of the package contents are intact.

IMPORTANT NOTICE: To avoid this issue that there were holes that did not line up correctly when assembling it, please do not tighten all the screws until you have all the parts and pieces put together!!!

step 1: Assembled roof tube

