
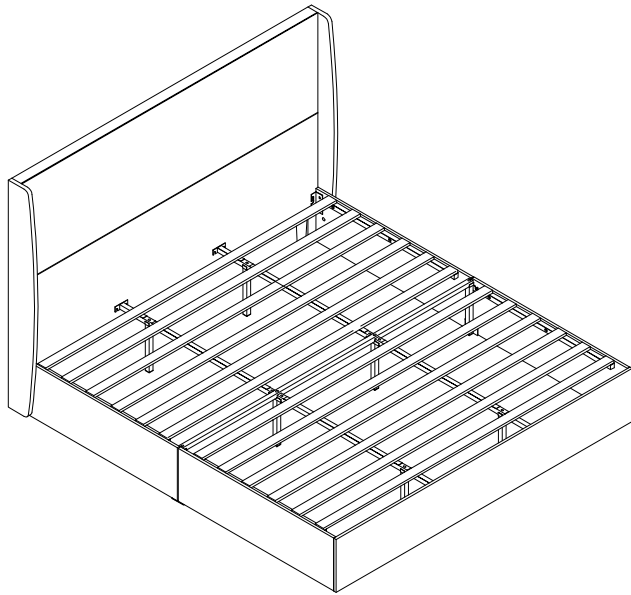


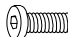



# Installation & Assembly

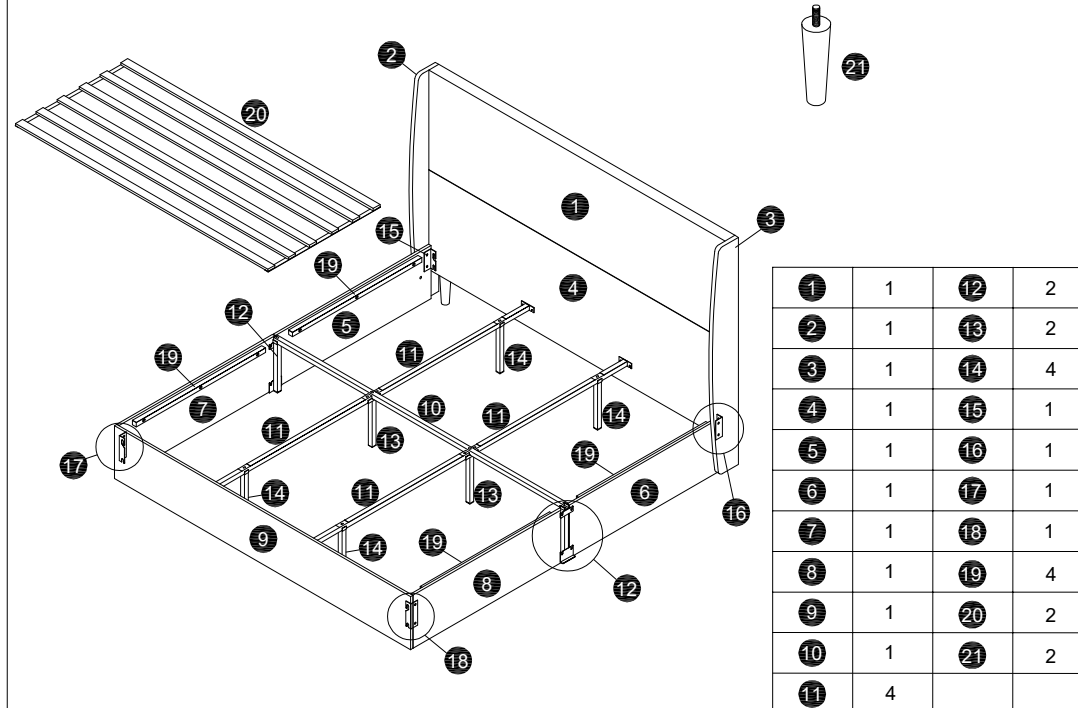
When replacement request , please tell us  
Component Alphabet and Model Number.

 Weight Limit:1000 LBS / 454 KG



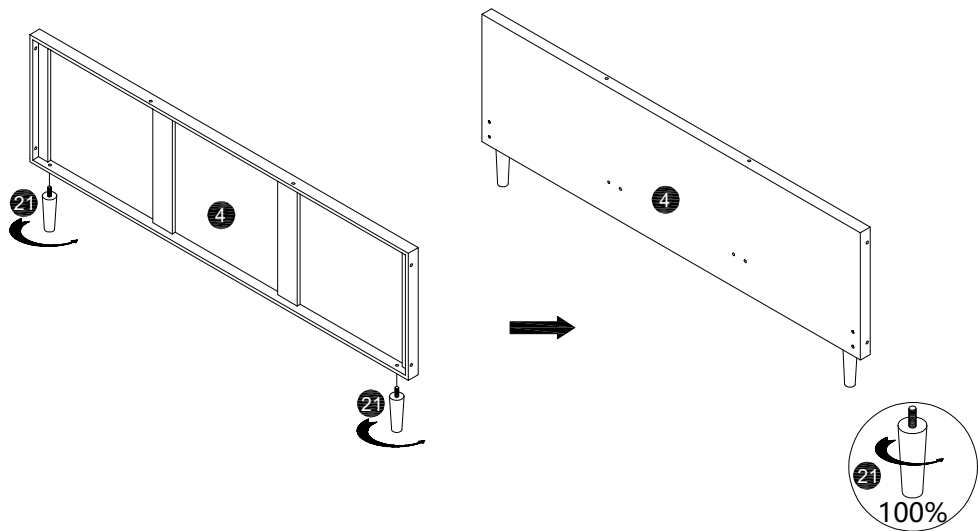
A		M8x18	X32
B		M8x35	X34
C		M8x45	X2
D		D5mm	X1

## 1 Components

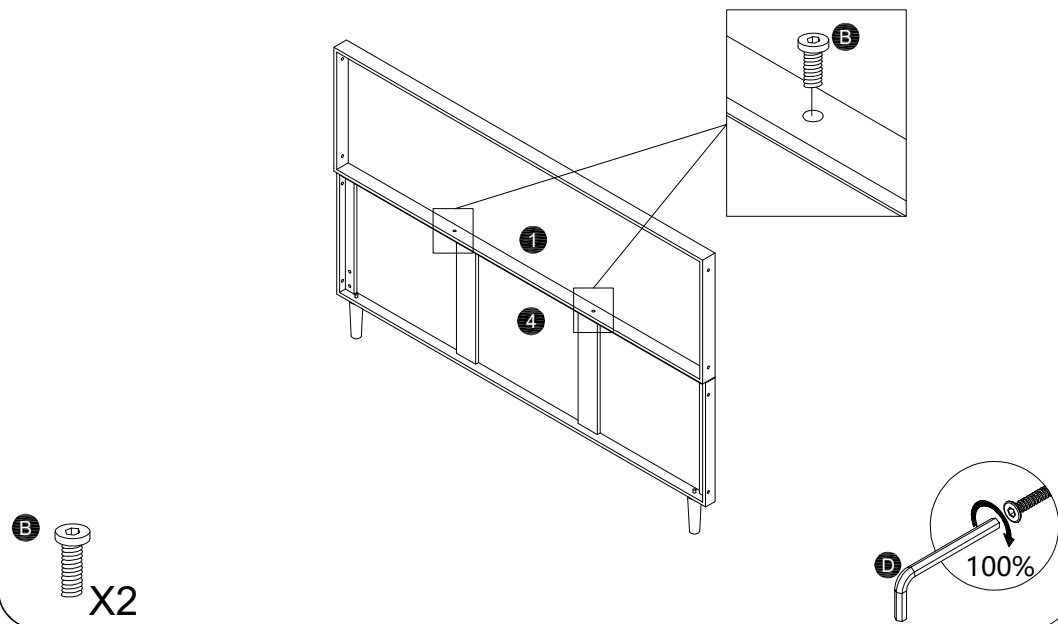


1	1	12	2
2	1	13	2
3	1	14	4
4	1	15	1
5	1	16	1
6	1	17	1
7	1	18	1
8	1	19	4
9	1	20	2
10	1	21	2
11	4		

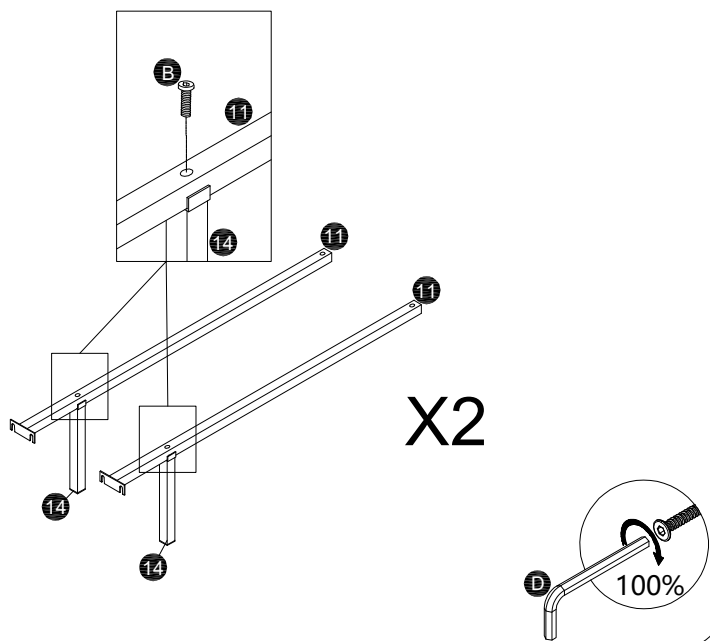
2



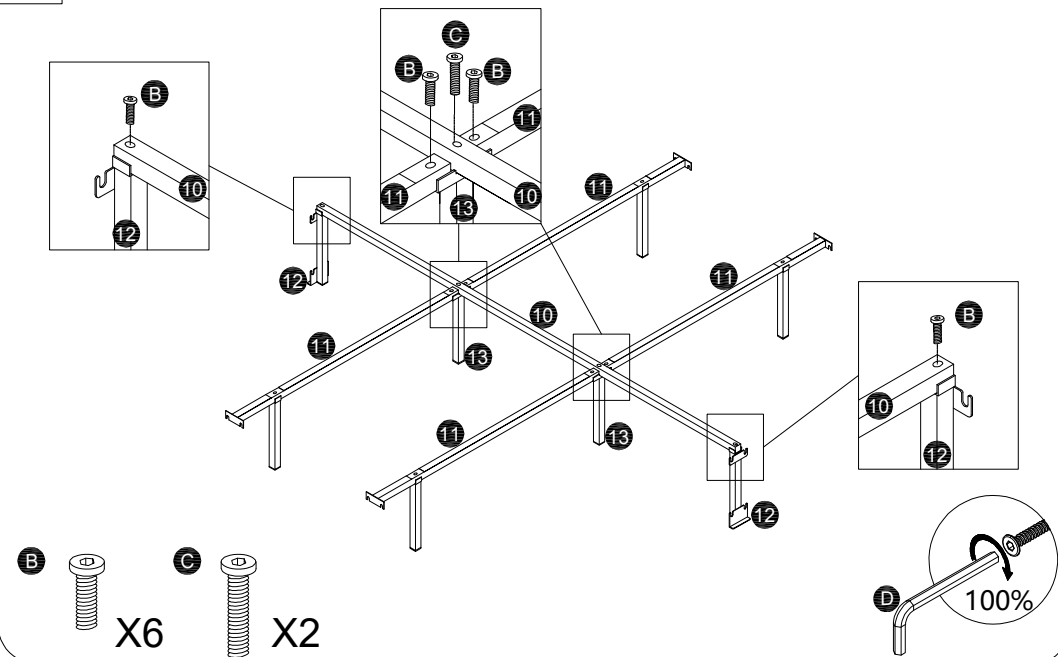
3



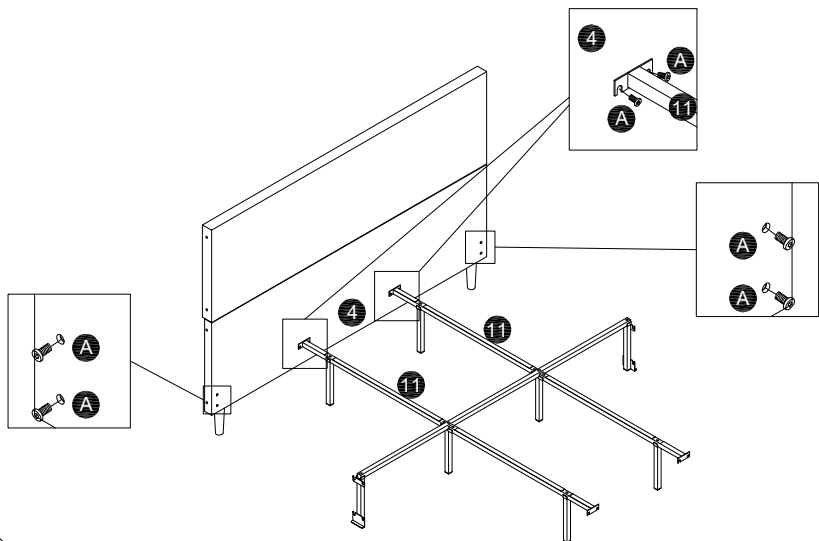
4



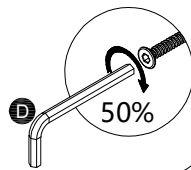
5



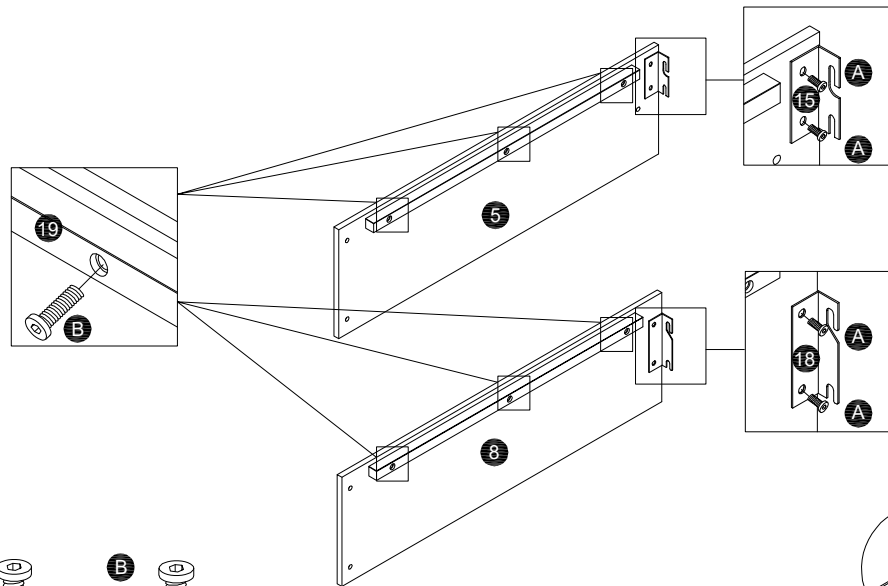
6



X8



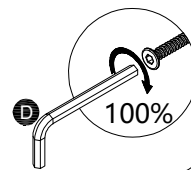
7



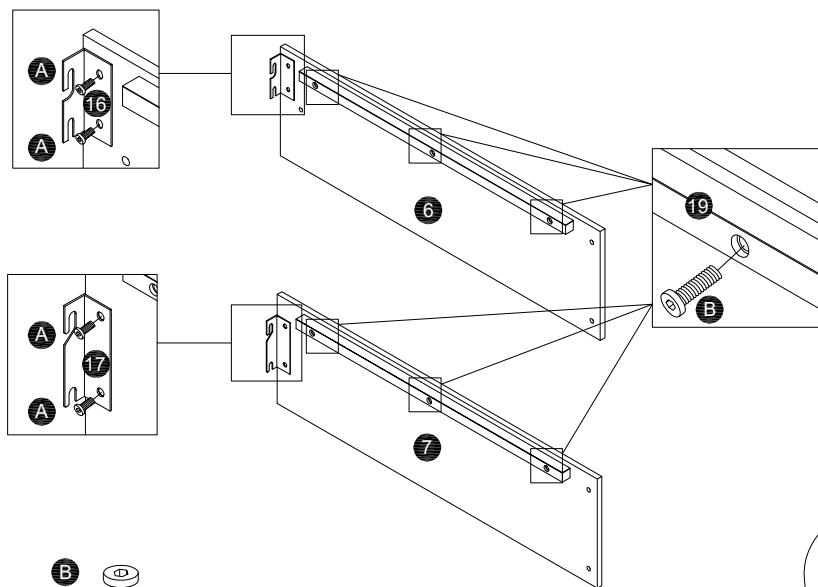
X4



X6



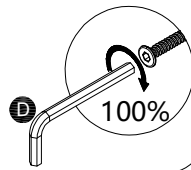
8



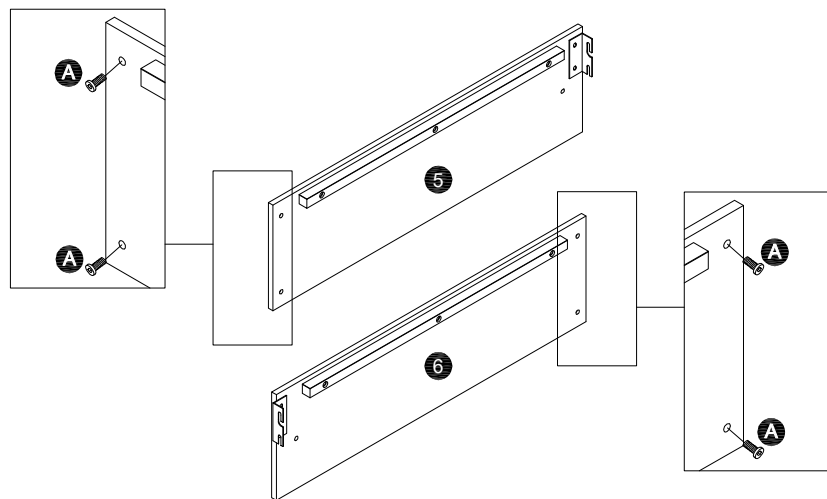
X4



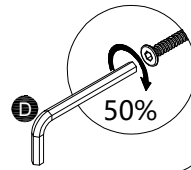
X6



9

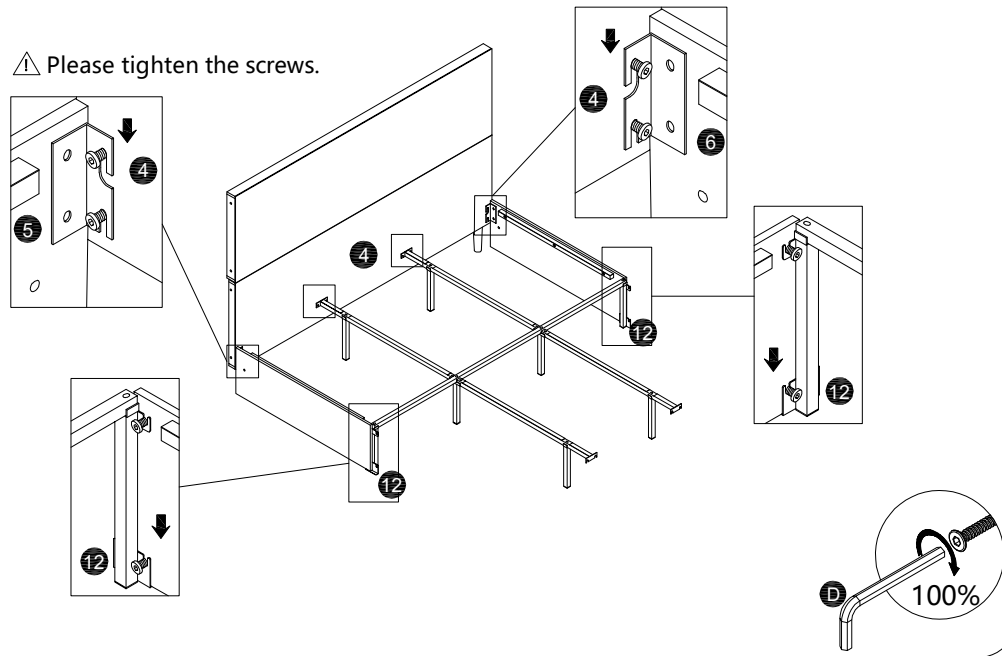


X4

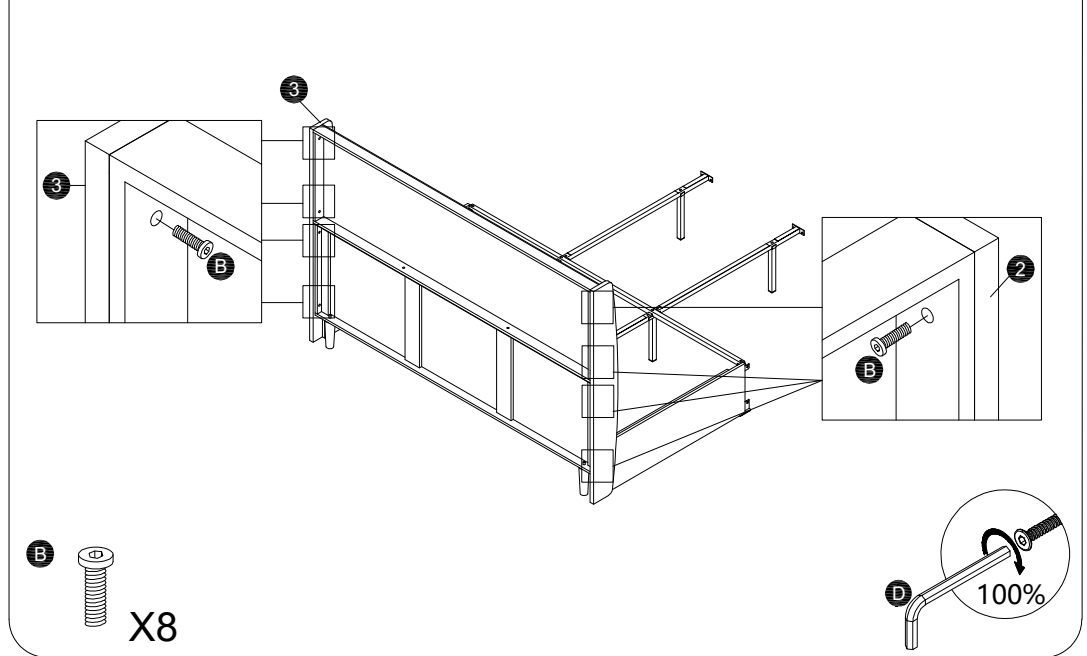


10

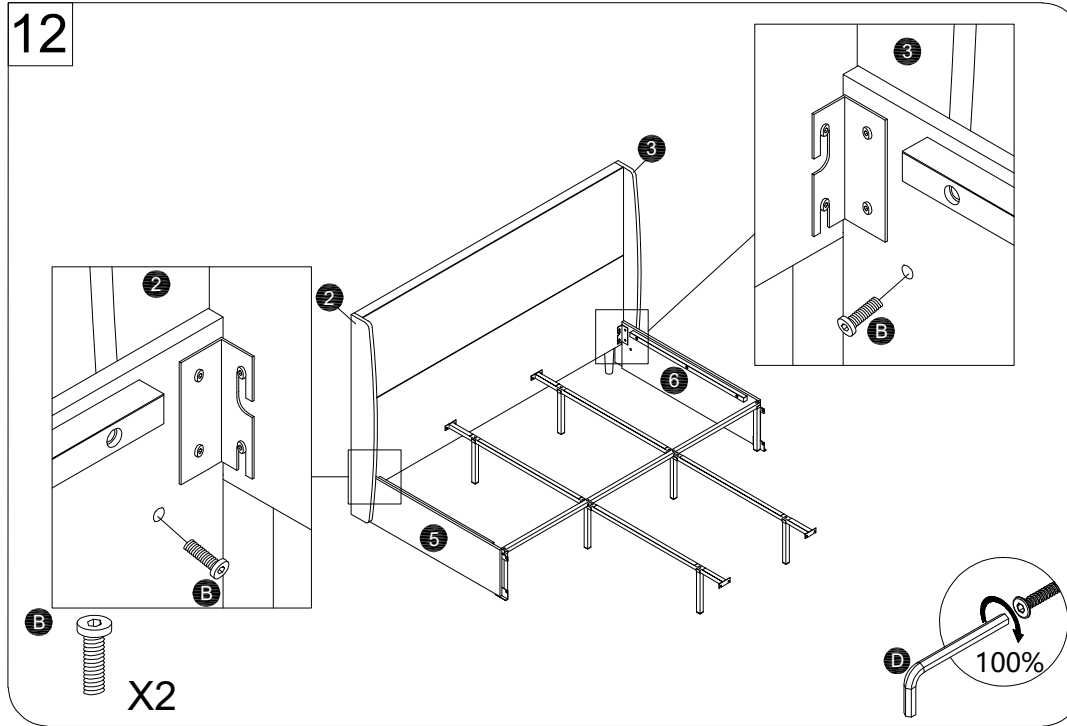
⚠ Please tighten the screws.



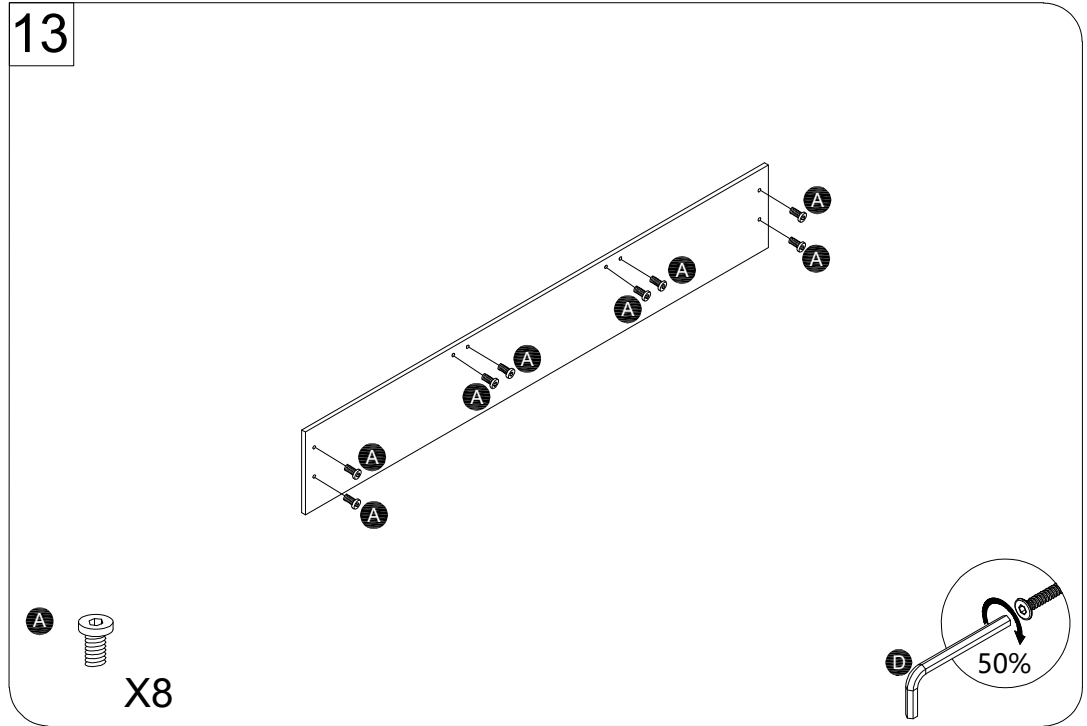
11



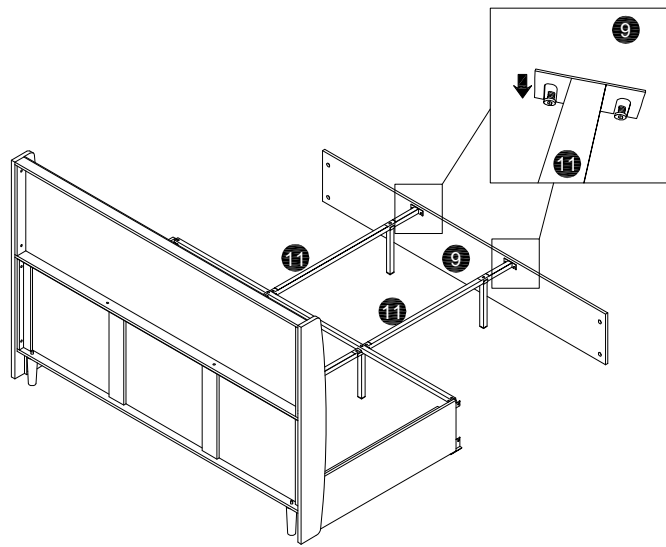
12



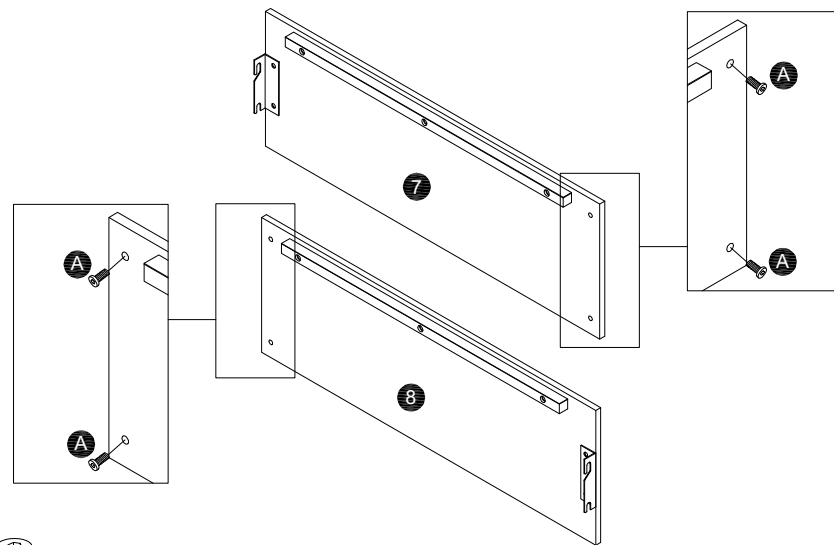
13



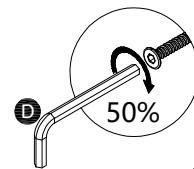
14



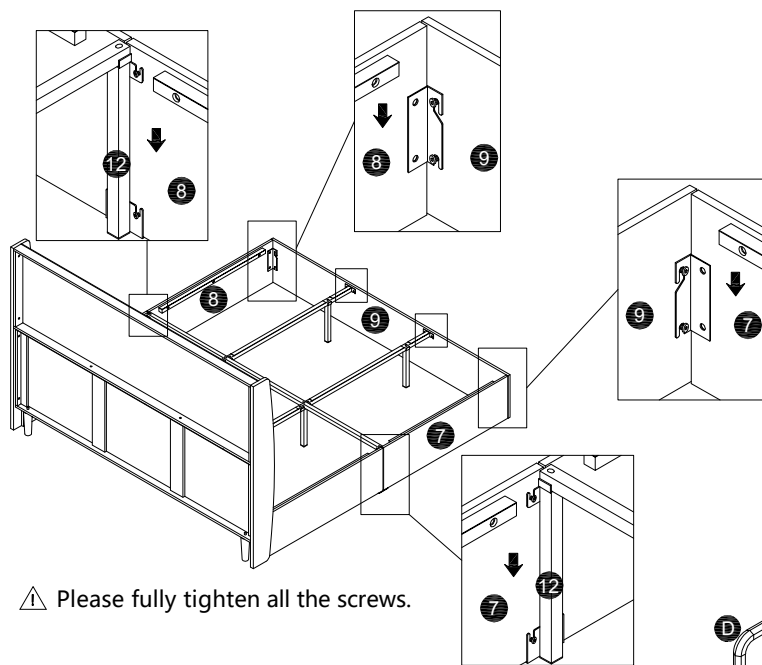
15



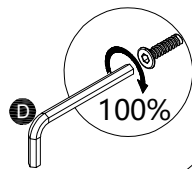
X4



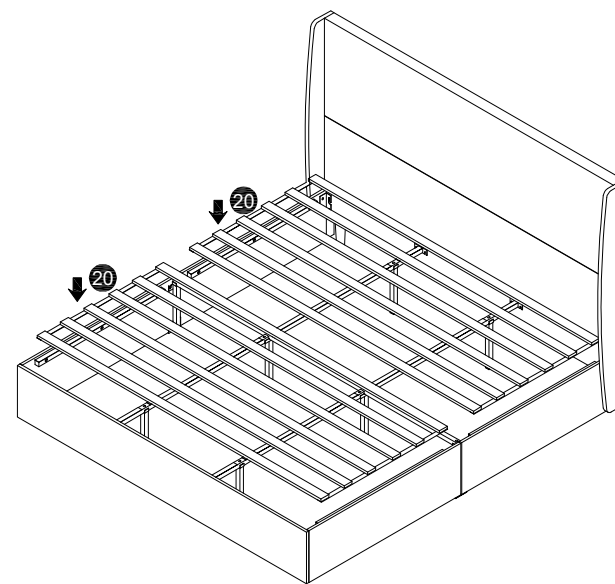
16



⚠ Please fully tighten all the screws.



17



18

