

---

# SHOE CABINET WITH 3 FLIP DRAWERS

User Manual

---

# INTRODUCTION

Thank you for purchasing our products. Committed to providing customers with the best quality products and service has always been our lifelong goal. Before using the product, please read this instruction manual carefully to ensure correct use. Keep the instruction manual in a place where the user can find it at any time.

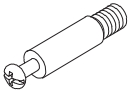
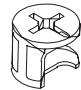
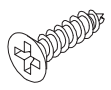


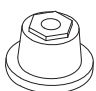

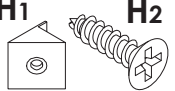
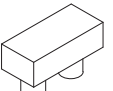

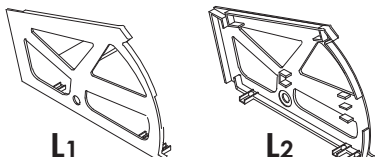


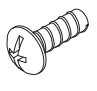
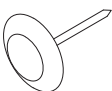
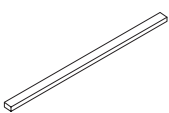
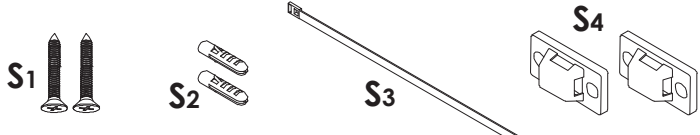
# PRECAUTIONS

1. There are many components and accessories in the package. Each component and accessory is labeled with a letter or a number, check carefully before using any of them. Keep them away from children to prevent accidents.
2. Please install the product on a clean and soft underlay (such as carpet or cardboard) to avoid scratching or damaging the surface of the product.
3. The main components of the product is relatively heavy. Please pay attention to safety during installation.
4. The product is not stable during installation. Please do not move it randomly before it is completely installed.
5. If you have any questions during installation, please contact the customer service in time.

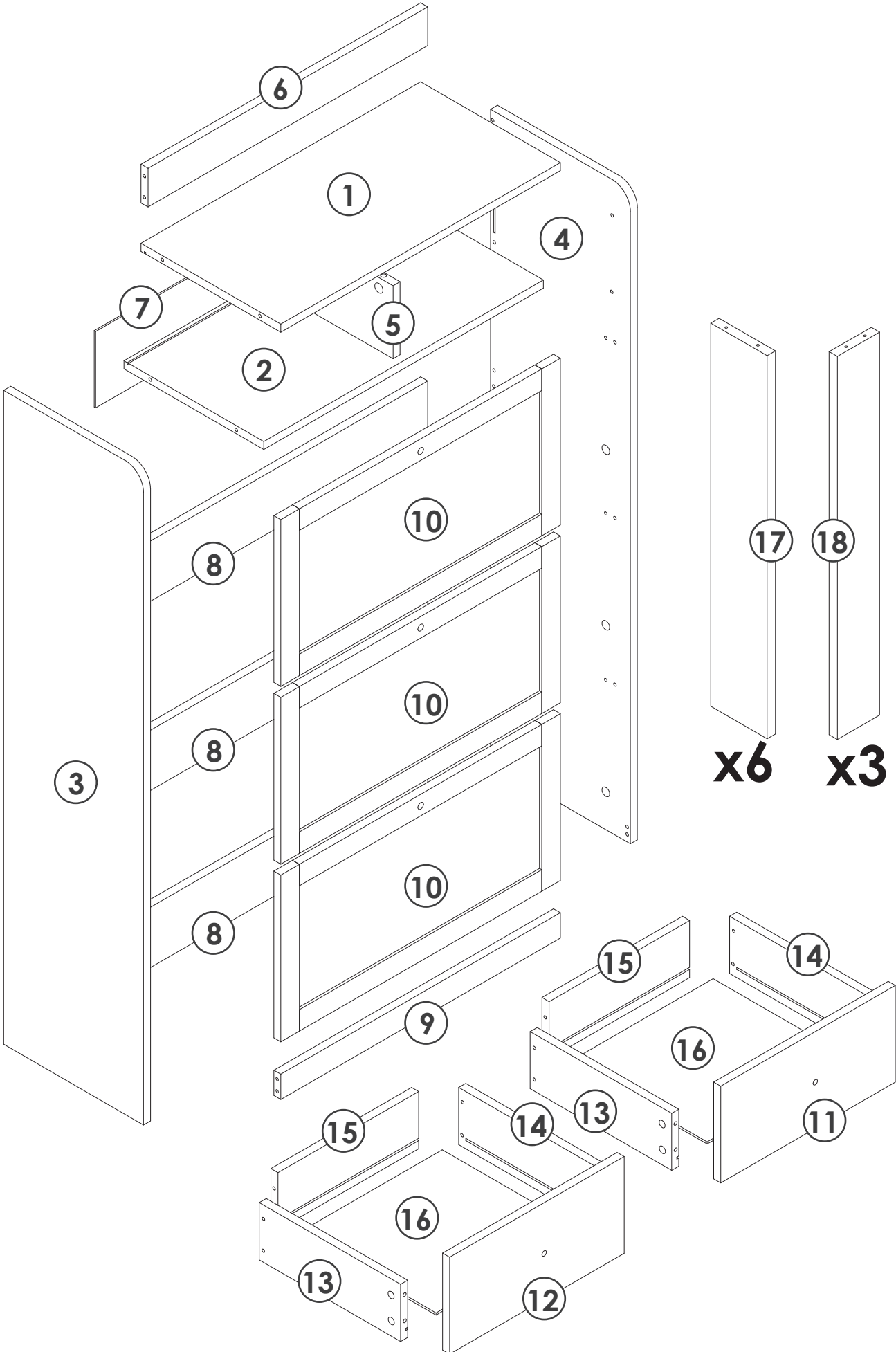
**\*PLEASE BE SURE TO FOLLOW THE INSTALLATION STEPS IN THE MANUAL TO AVOID UNNECESSARY LOSSES CAUSED BY IMPROPER INSTALLATION.**

**\*IF YOU NEED FUTHER ASSIATANCE,PLEASE CONTACT THE CUSTOMER SERVICE ONLINE.**

# HARDWARES LIST

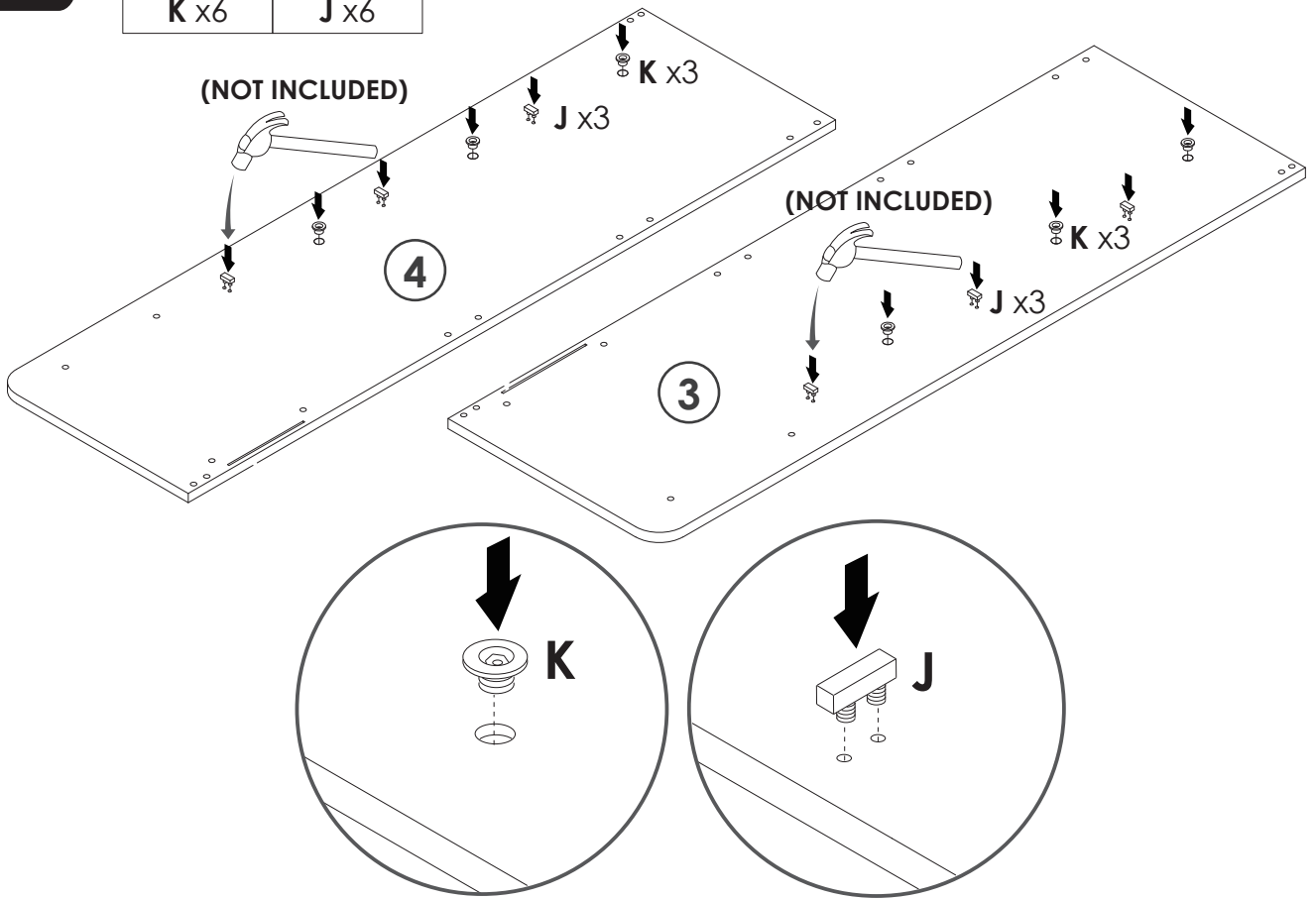
<b>A</b> 6*40mm  x40	<b>B</b> 15*11mm  x40	<b>C</b> M3.5*14mm  x54	<b>D</b> M4*18mm  x5	<b>E</b>  x5
<b>F</b>  x6	<b>G</b>  x10	<b>H = H<sub>1</sub> + H<sub>2</sub></b>  x6	<b>J</b>  x6	<b>K</b>  x6
<b>L = L<sub>1</sub> + L<sub>2</sub></b>  x3		<b>M</b>  x2	<b>N</b>  x41	<b>P</b> M4*10mm  x6
<b>Q</b>  x8	<b>R</b>  x4	<b>S = S<sub>1</sub> + S<sub>2</sub> + S<sub>3</sub> + S<sub>4</sub></b>  x2		

# HARDWARES LIST



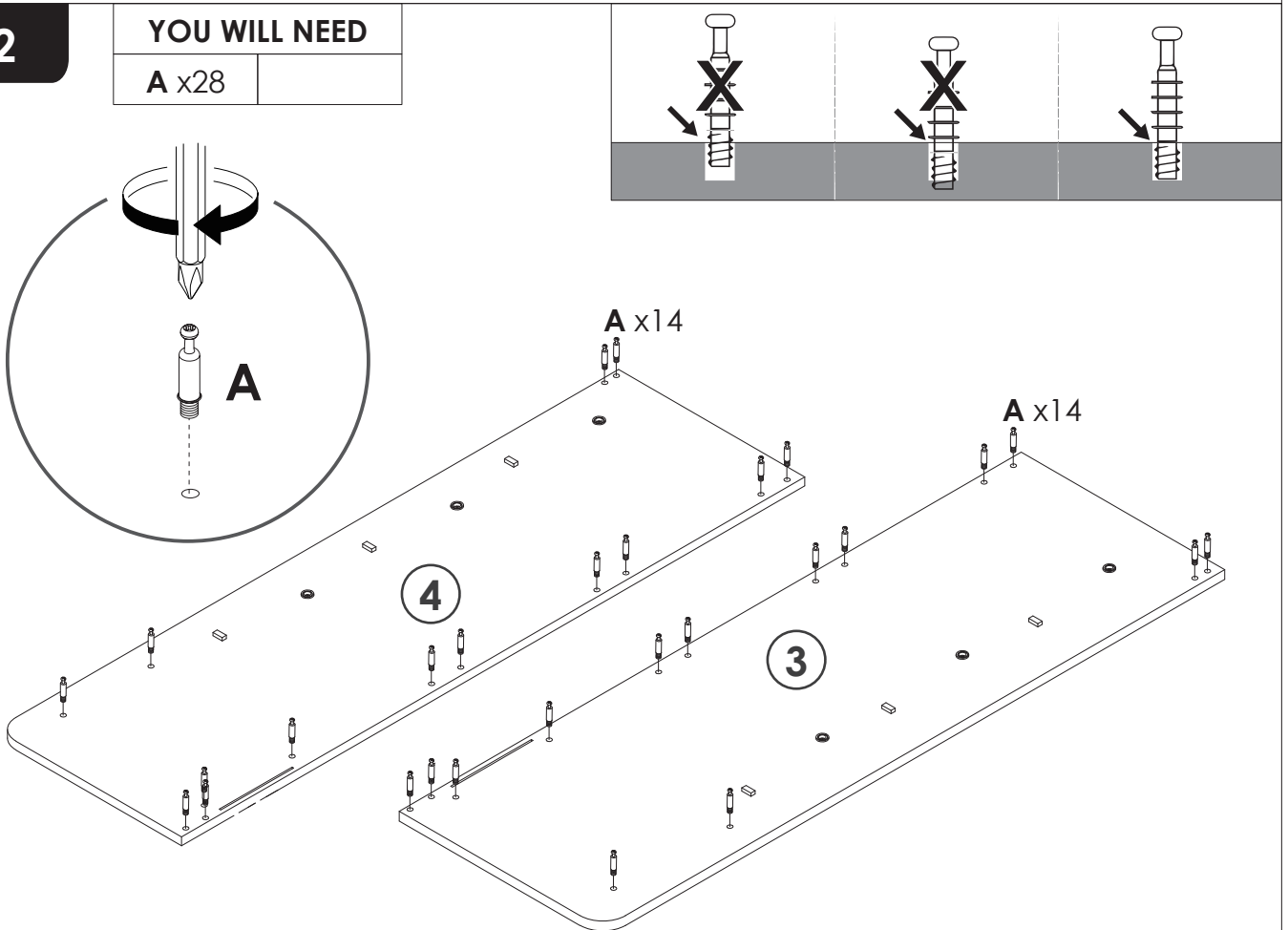
1

YOU WILL NEED	
K x6	J x6



2

YOU WILL NEED	
A x28	

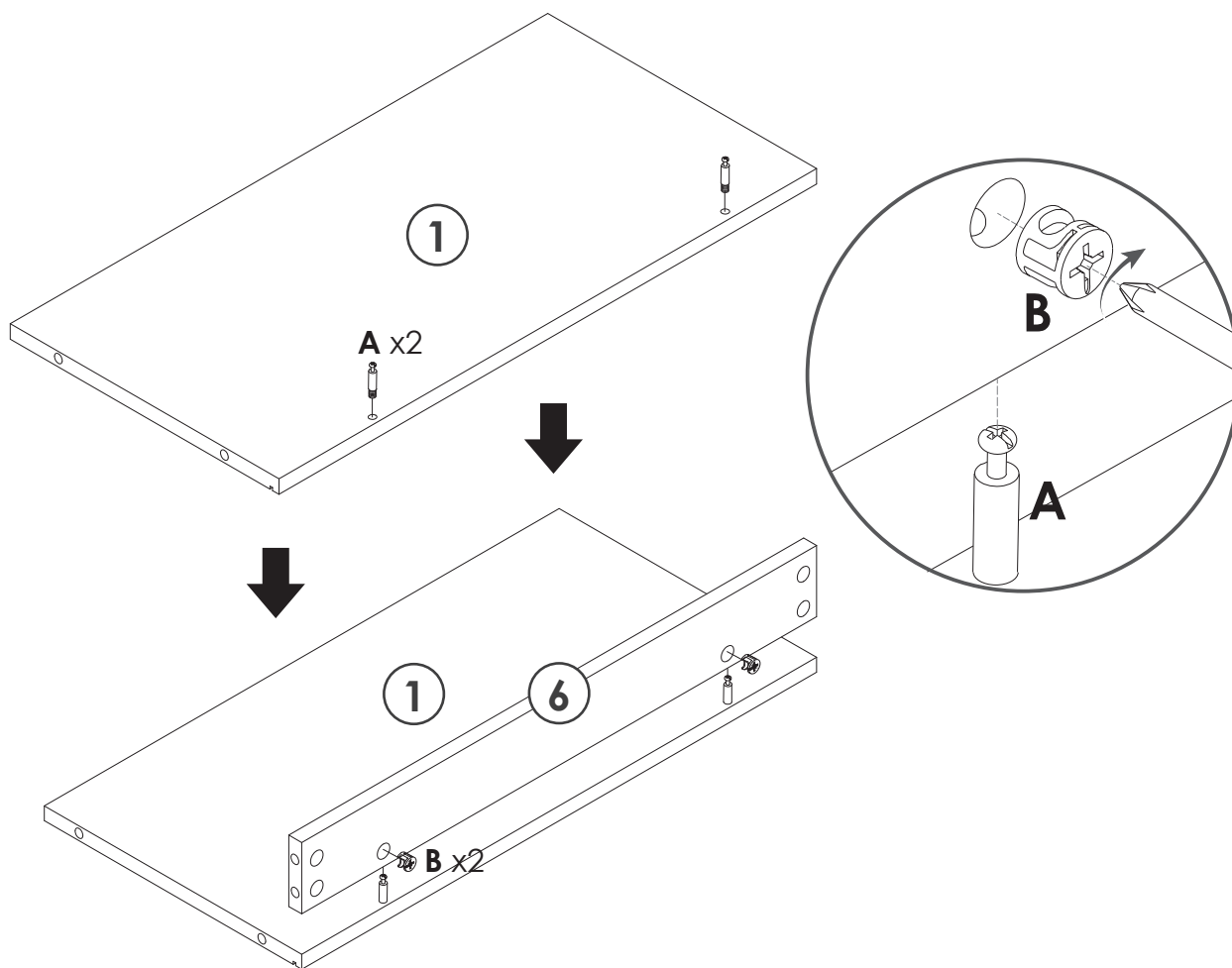


3

YOU WILL NEED

A x2

B x2



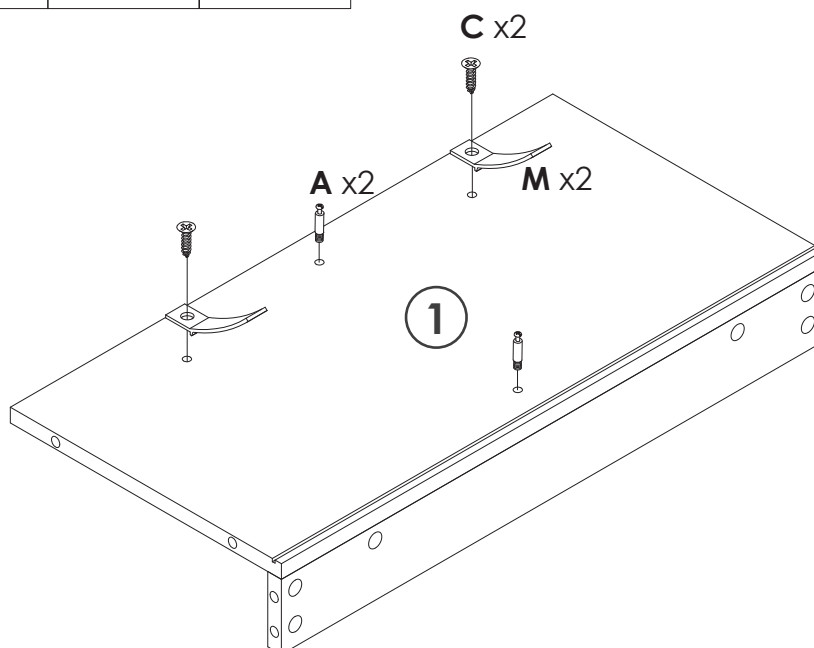
4

YOU WILL NEED

A x2

C x2

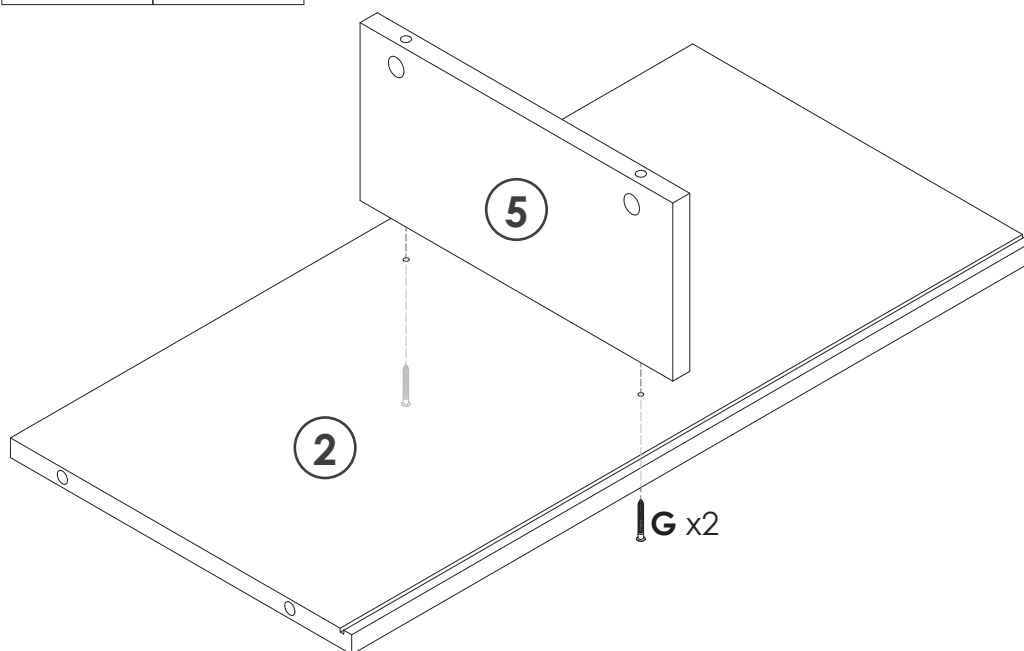
M x2



5

YOU WILL NEED

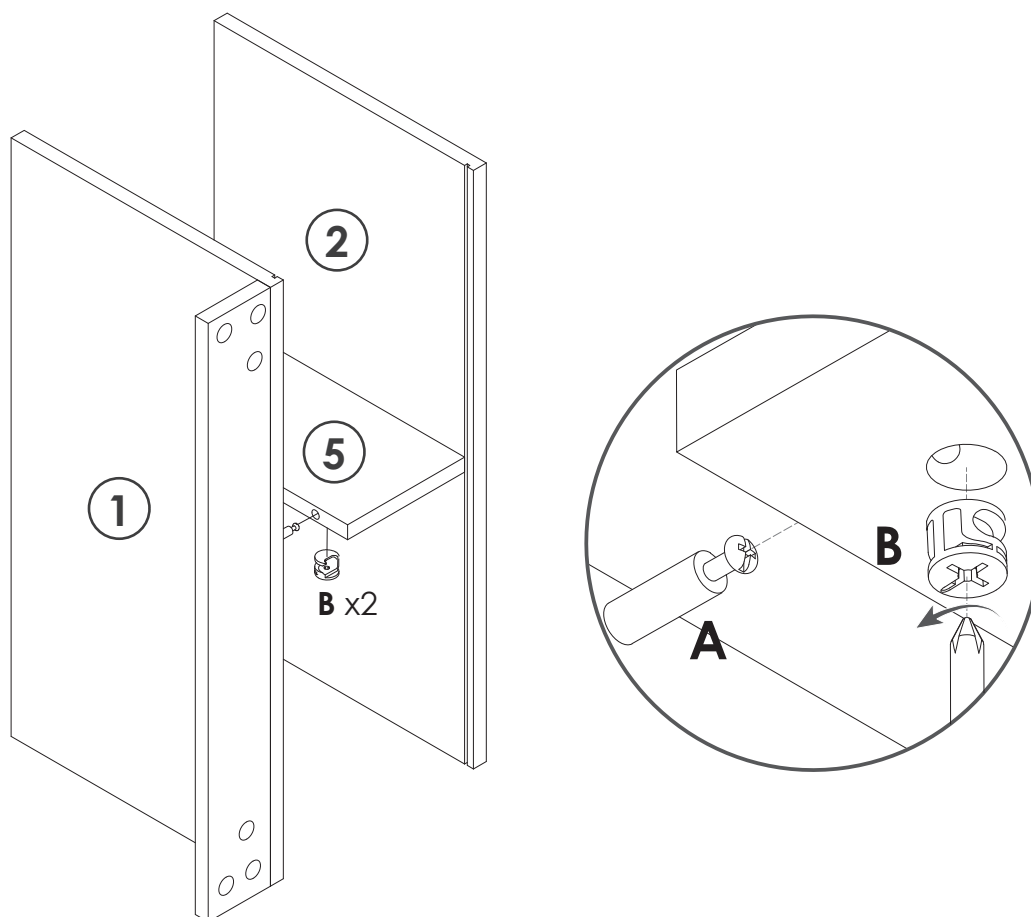
G x2



6

YOU WILL NEED

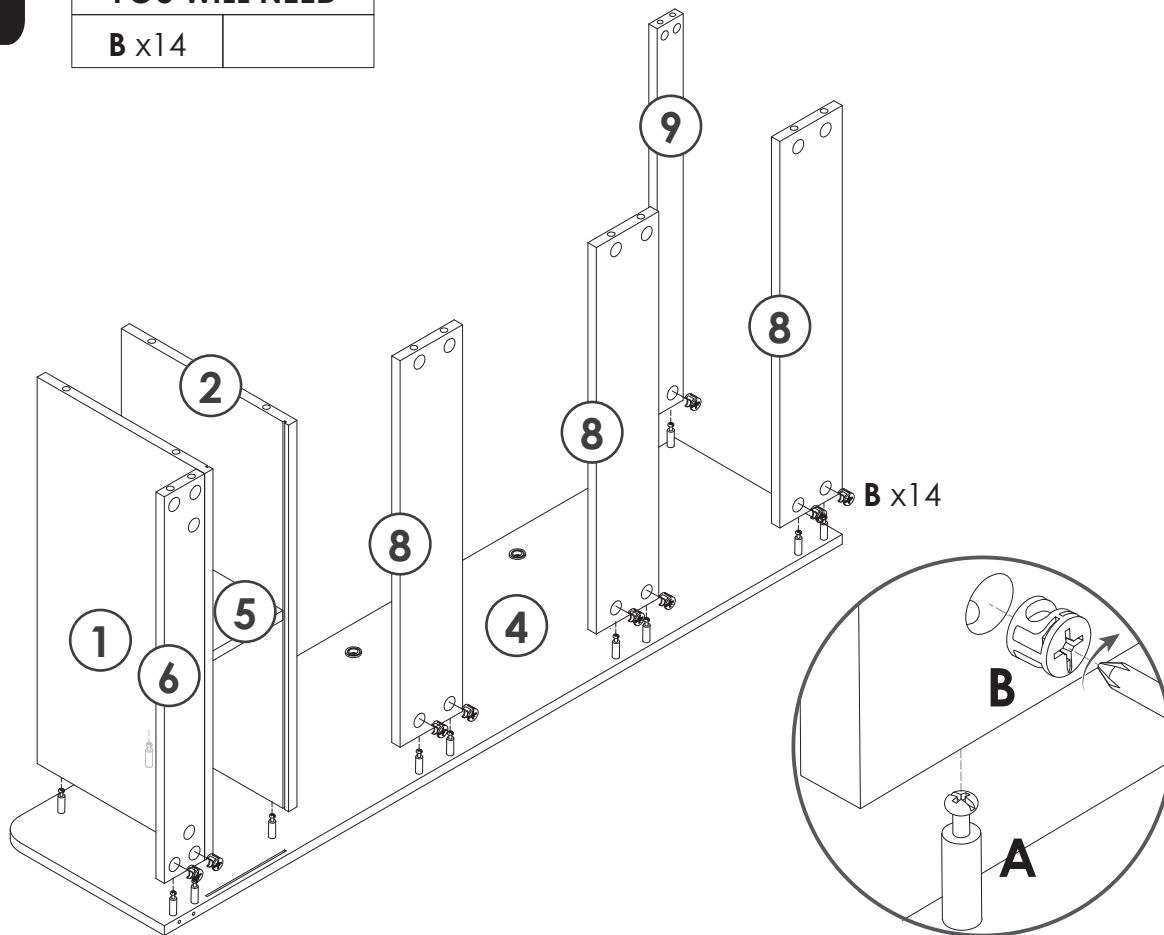
B x2



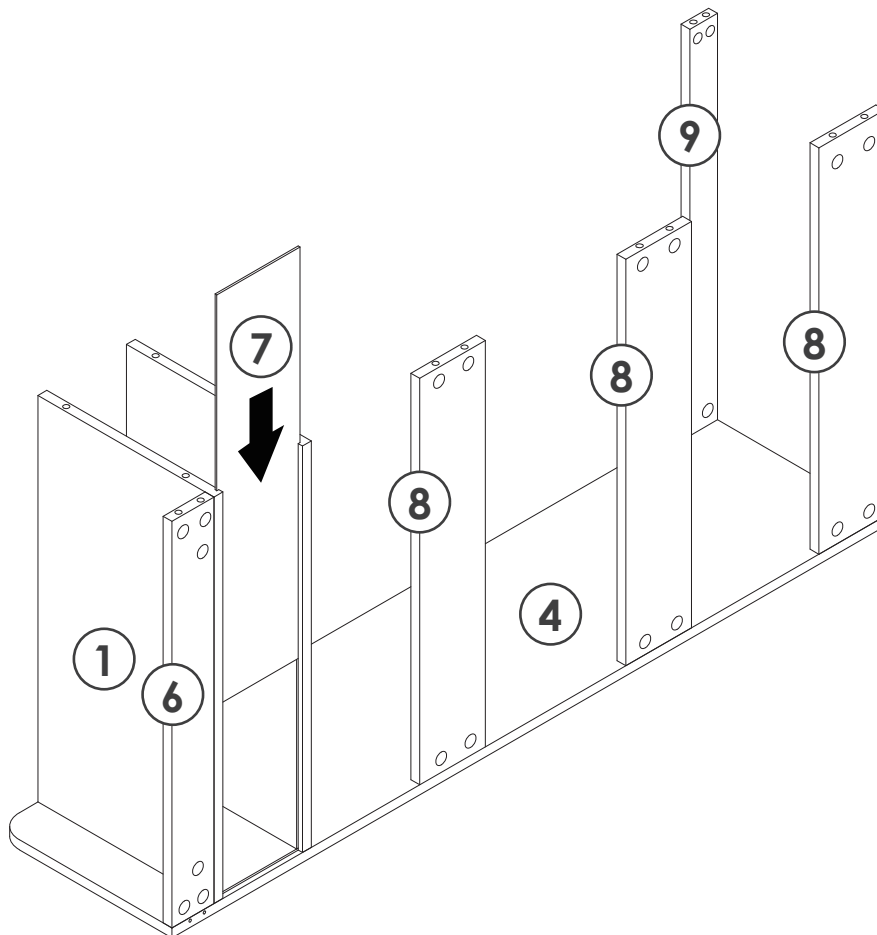
7

YOU WILL NEED

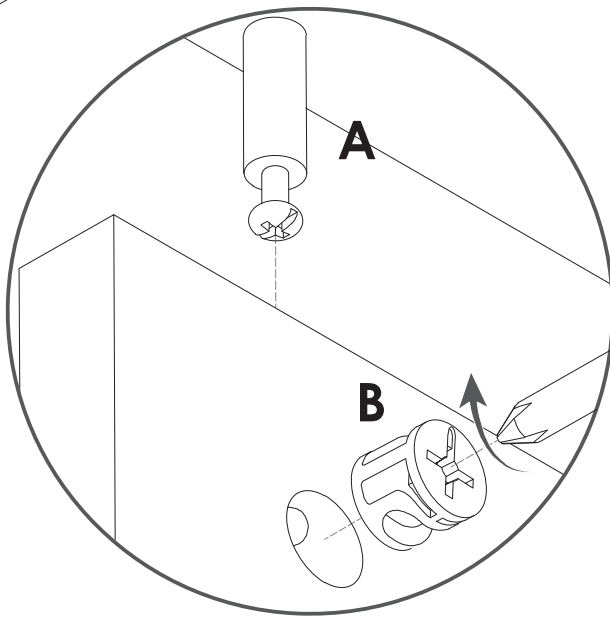
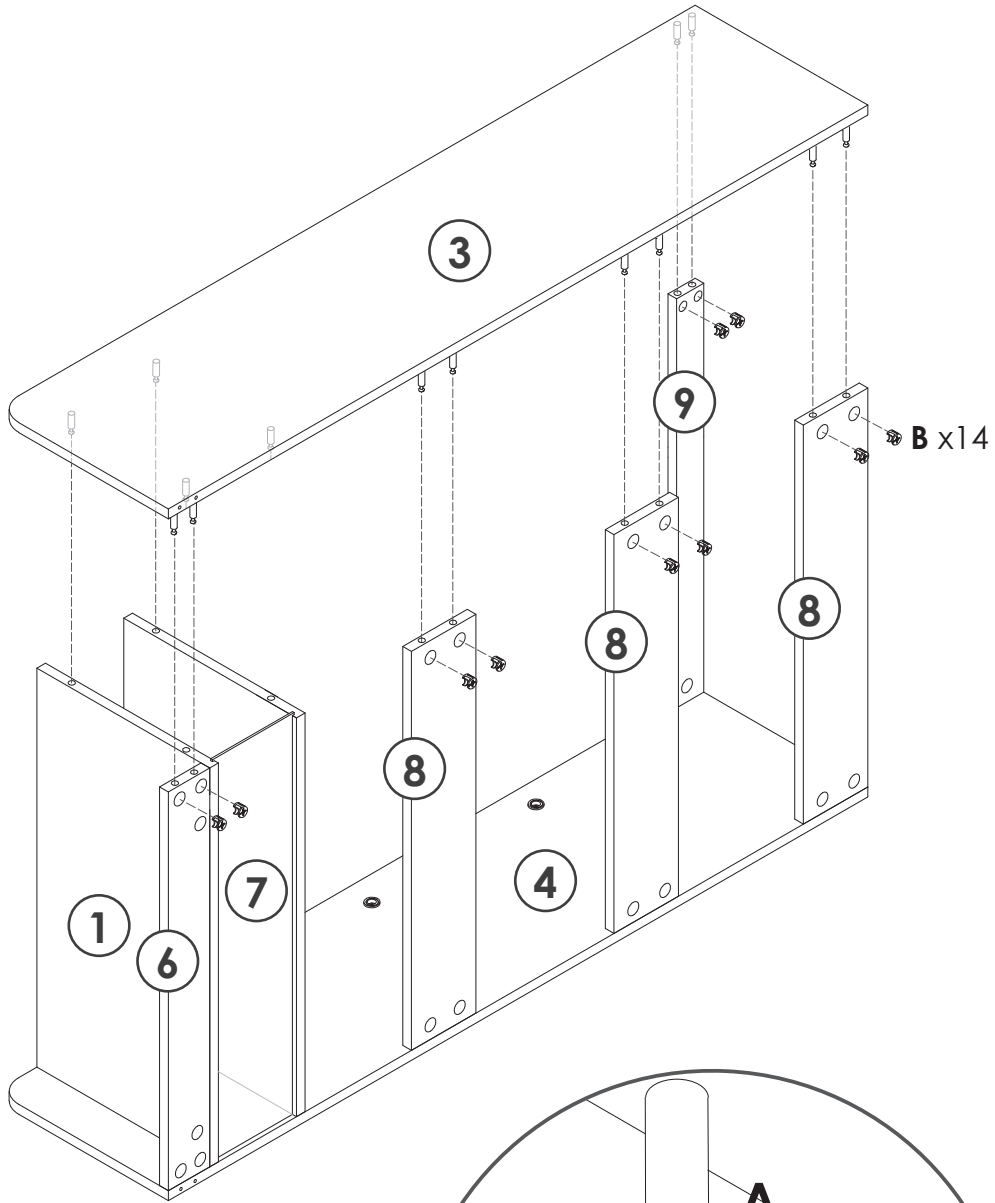
B x14



8

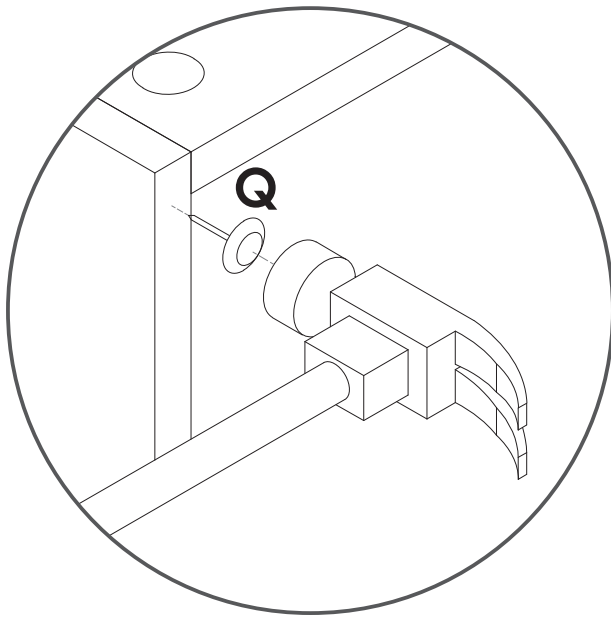
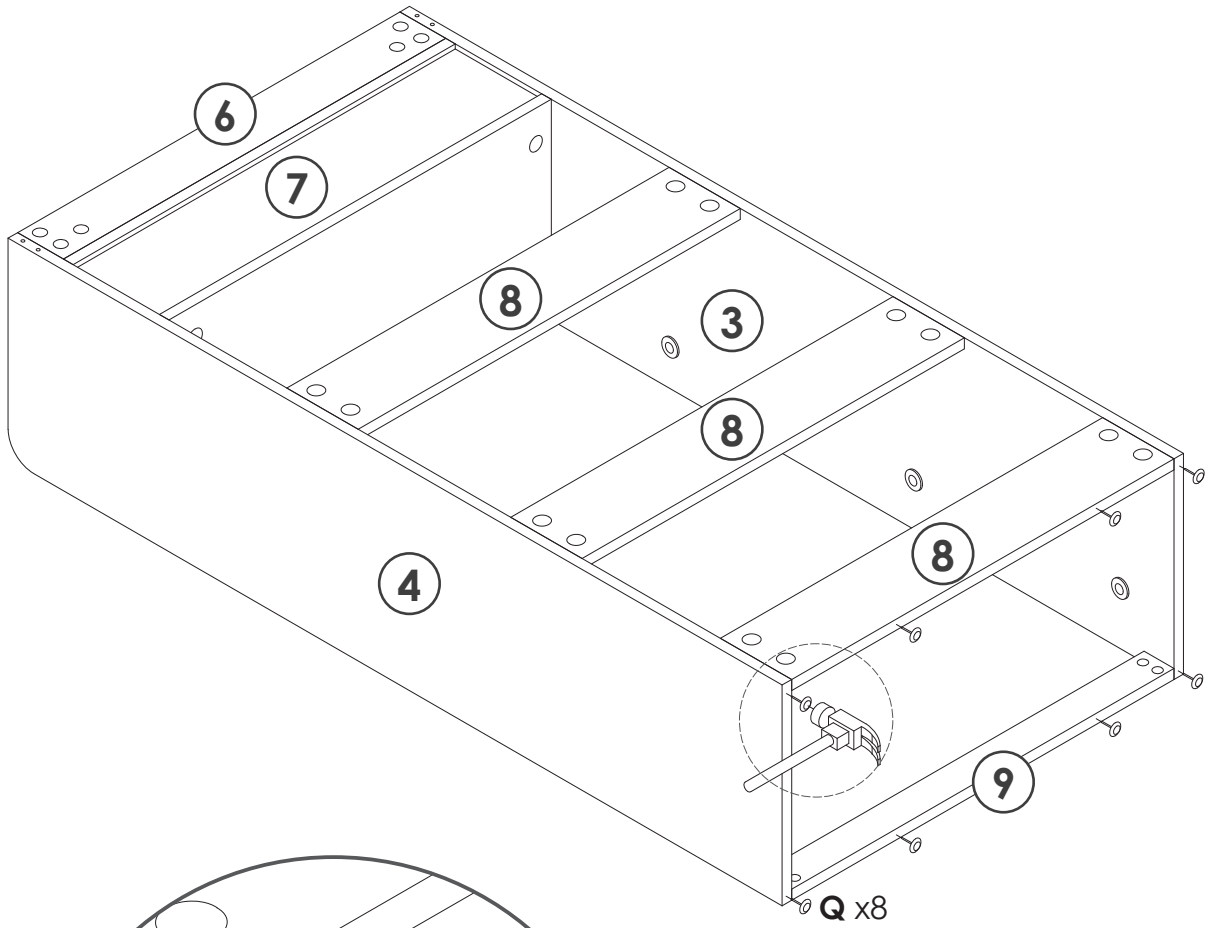


<b>YOU WILL NEED</b>	
<b>B x14</b>	

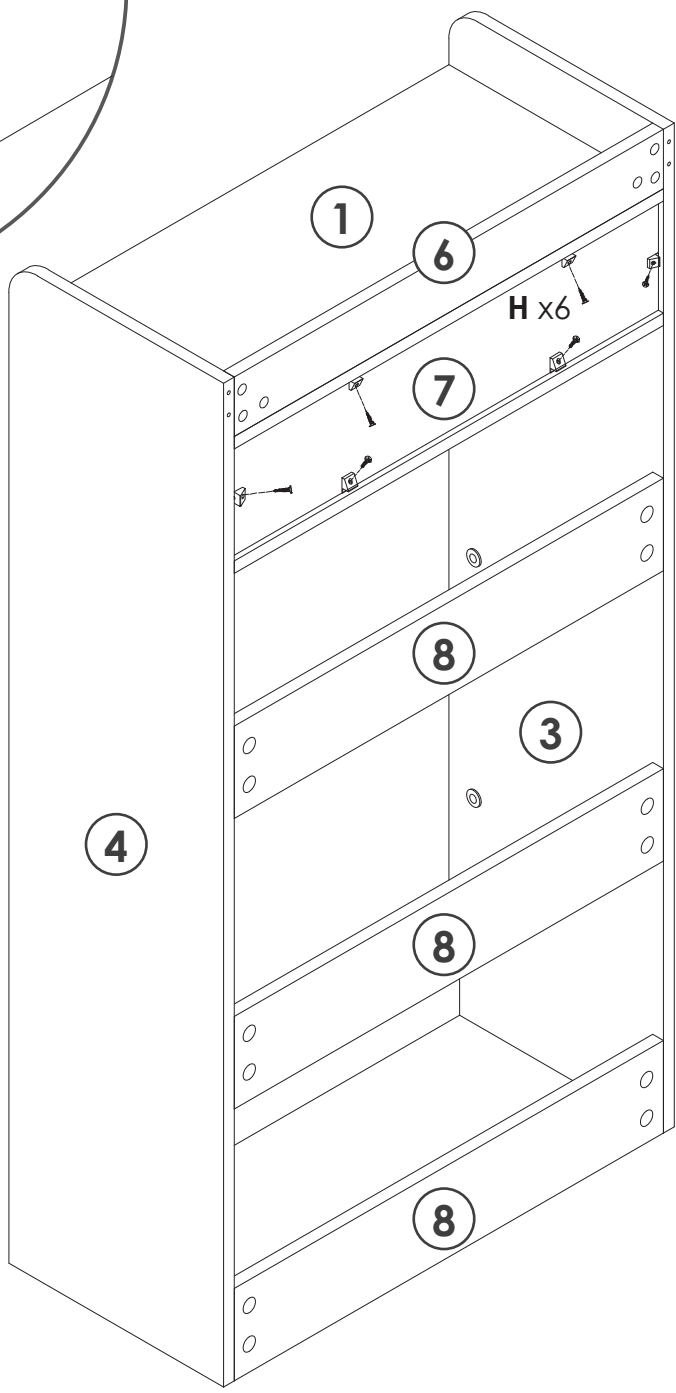
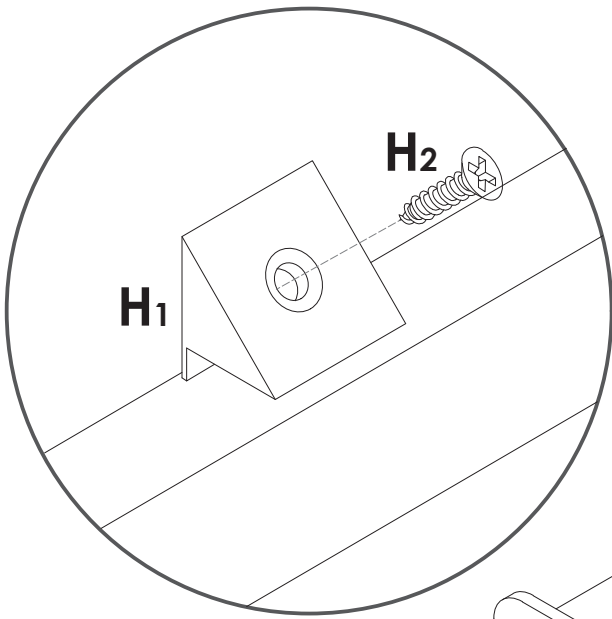


10

YOU WILL NEED	
Q x8	



YOU WILL NEED	
H x6	

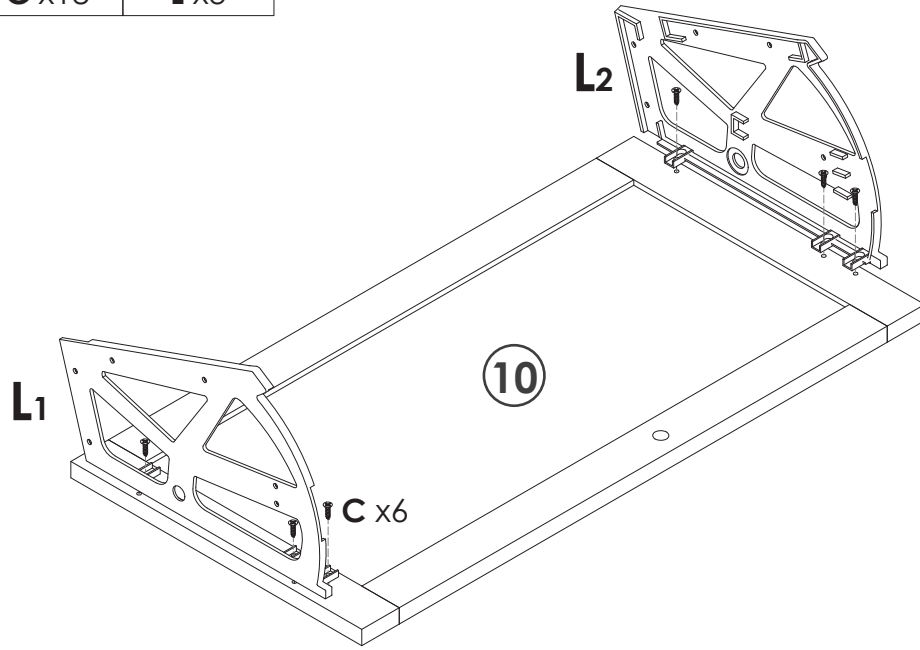


12

YOU WILL NEED

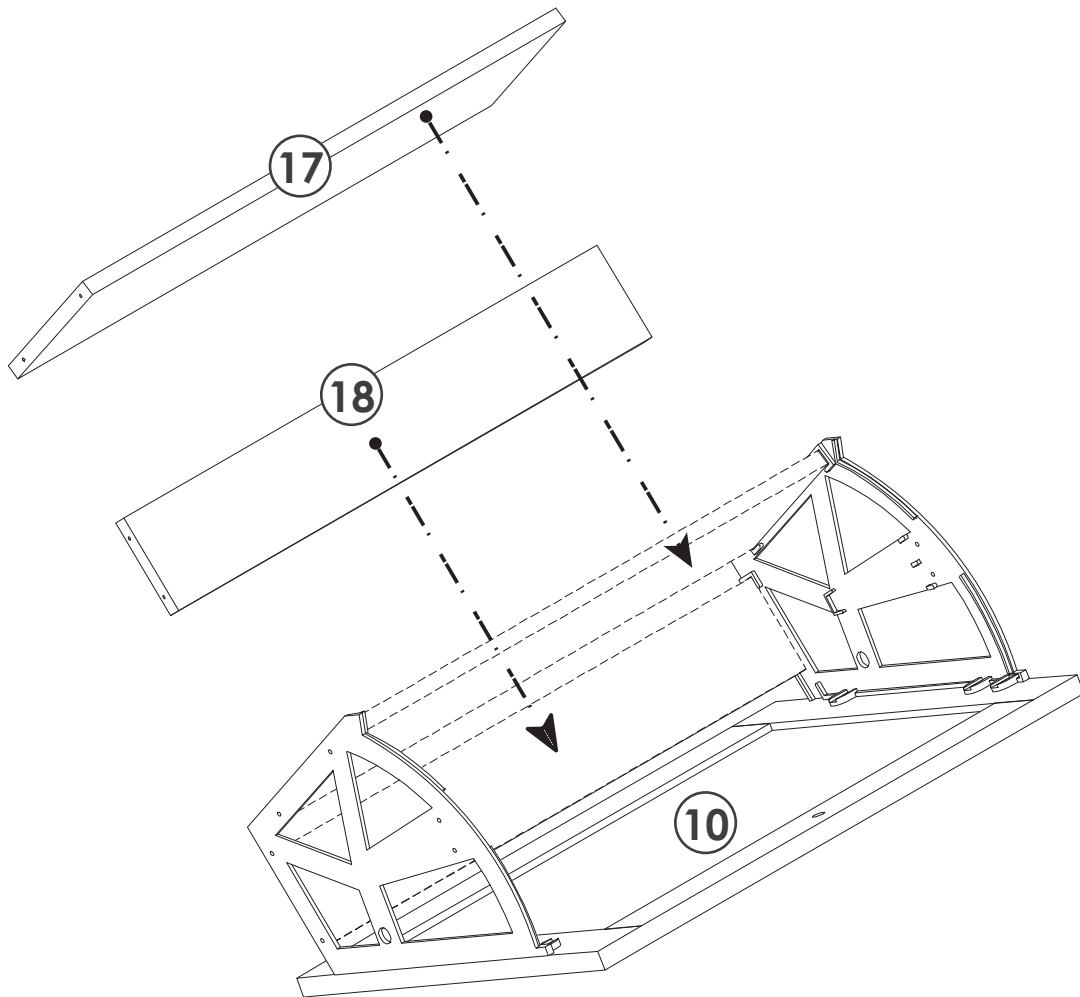
C x18

L x3



x3

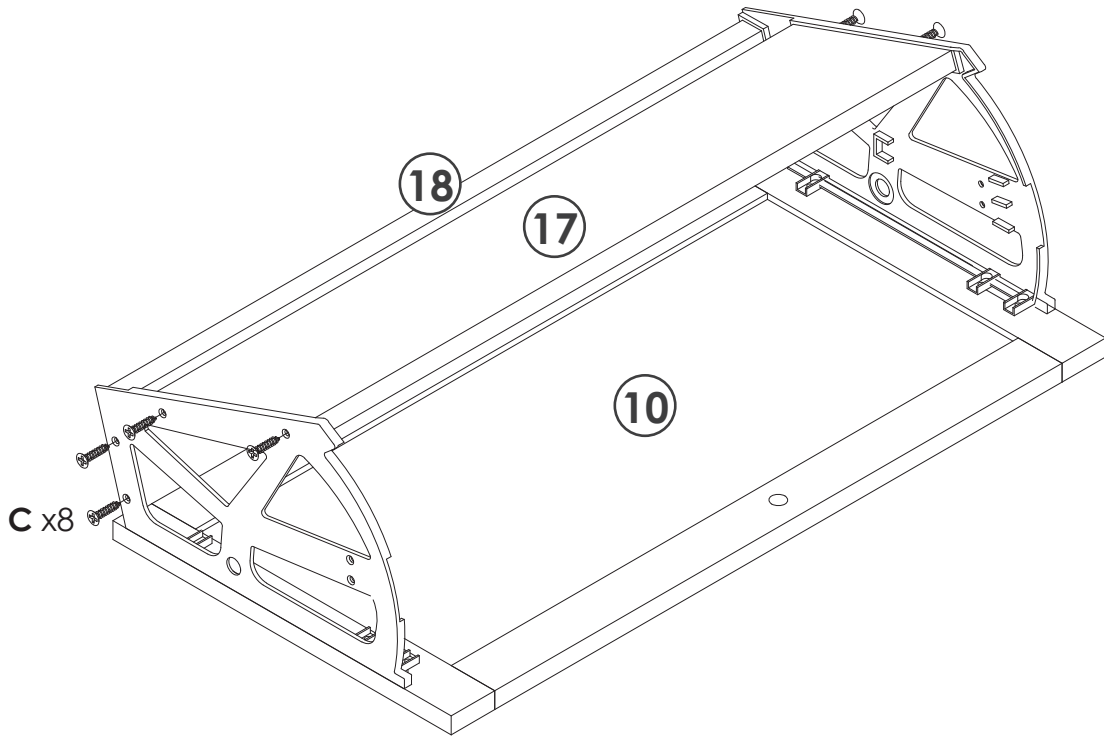
13



x3

14

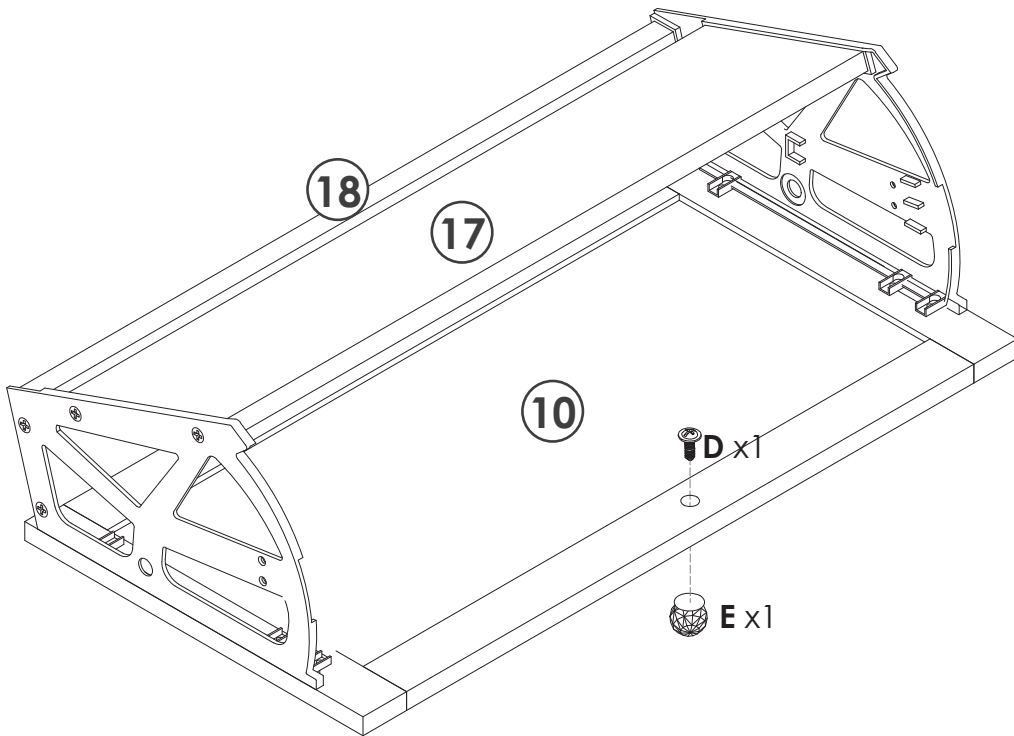
YOU WILL NEED	
C x24	



x3

15

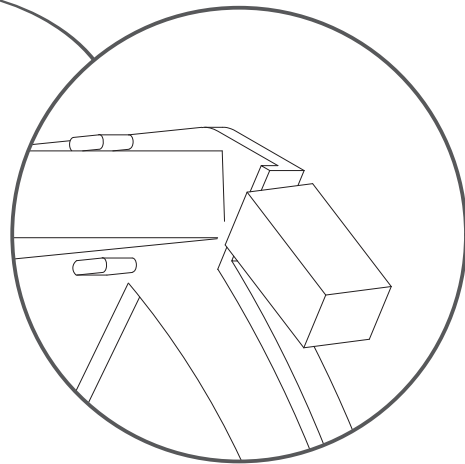
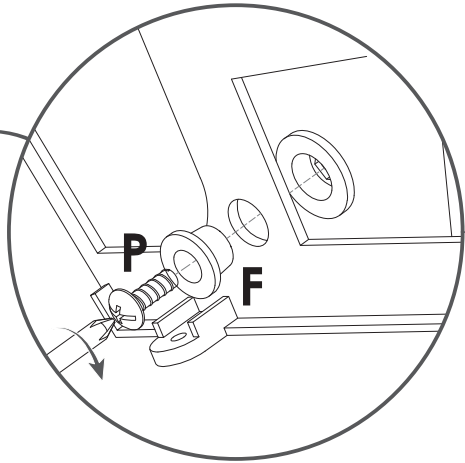
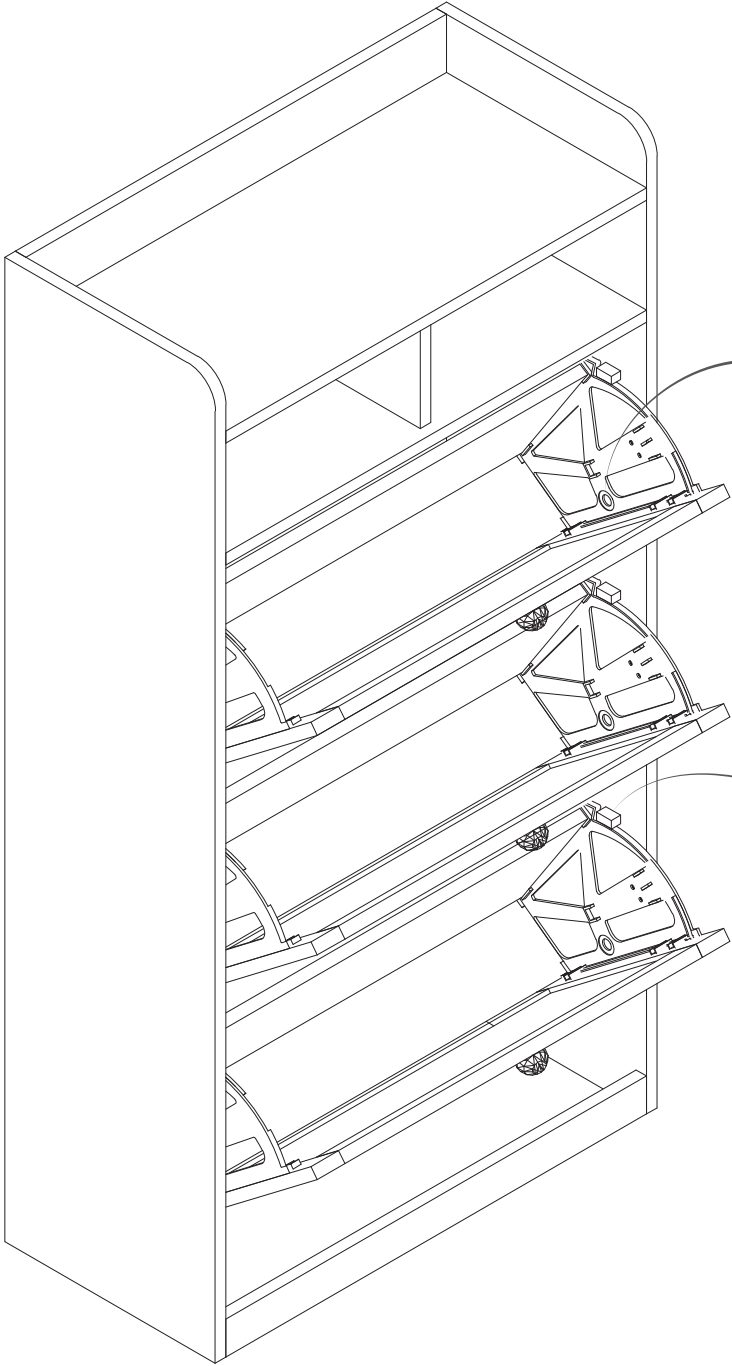
YOU WILL NEED	
D x3	E x3



x3

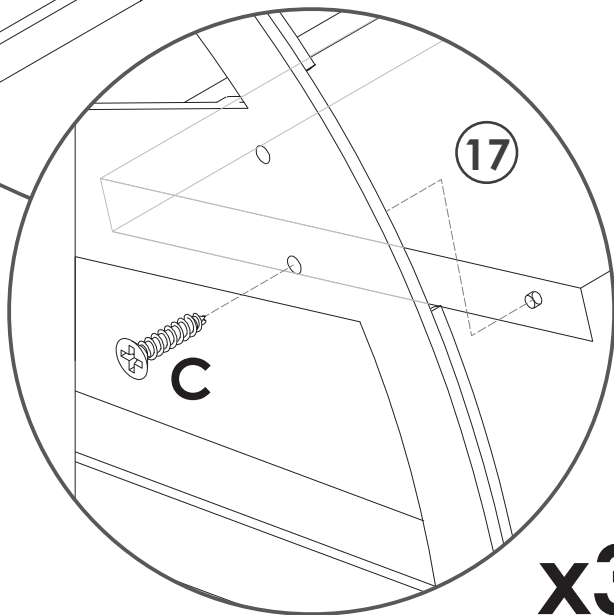
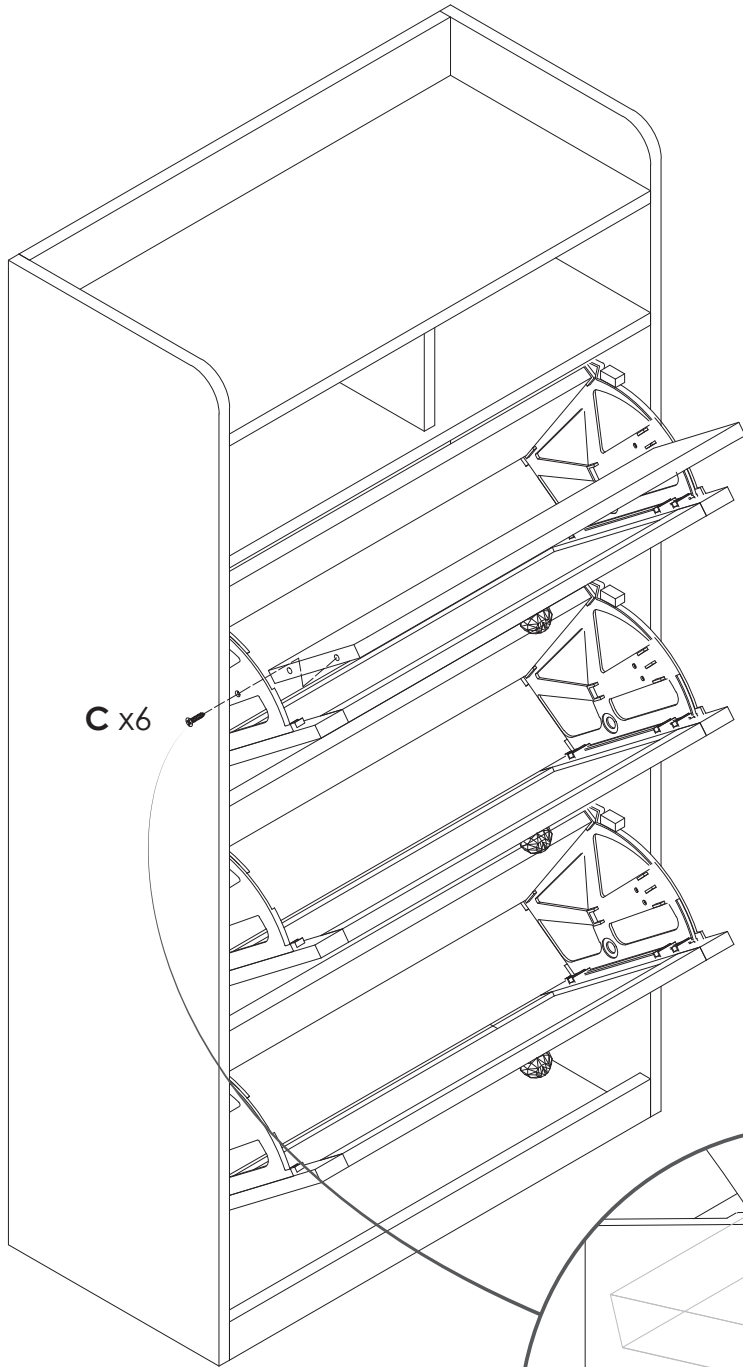
16

YOU WILL NEED	
F x6	P x6



17

YOU WILL NEED	
C x6	

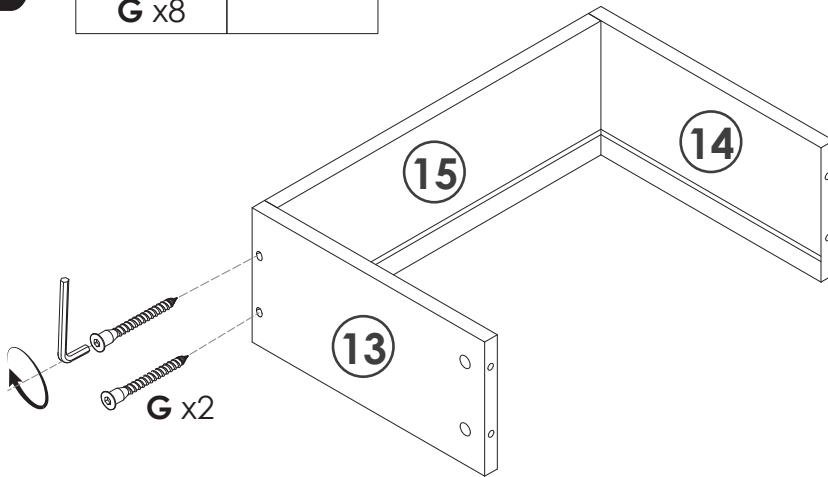


**x3**

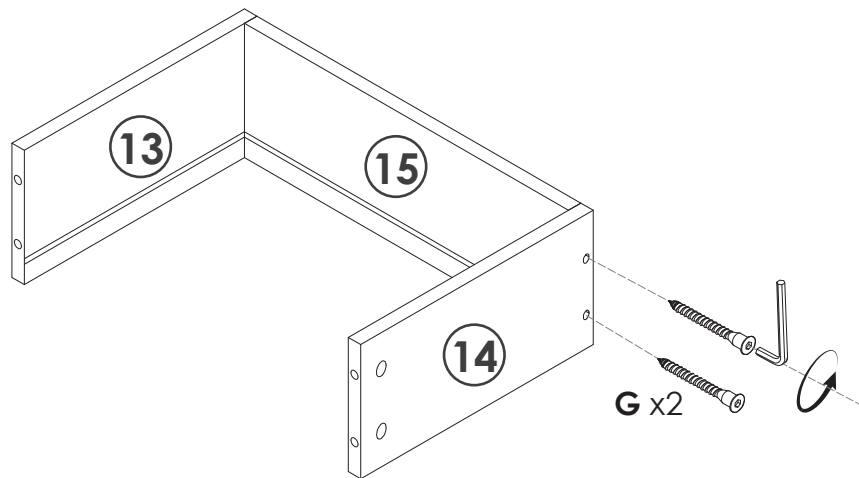
18

YOU WILL NEED

G x8



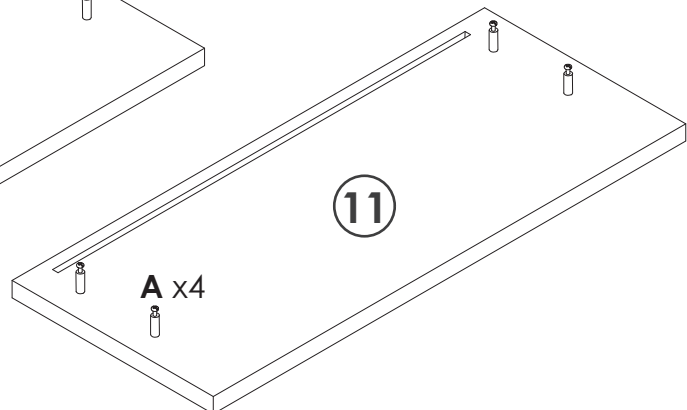
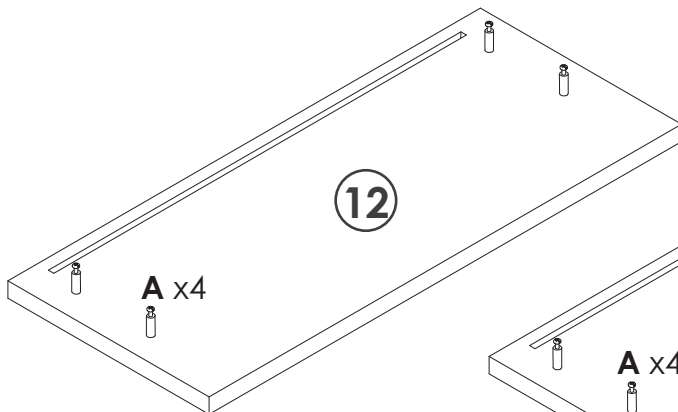
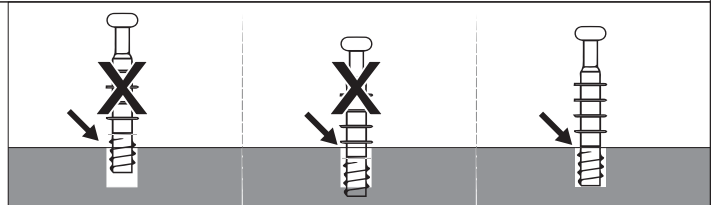
x2



19

YOU WILL NEED

A x8



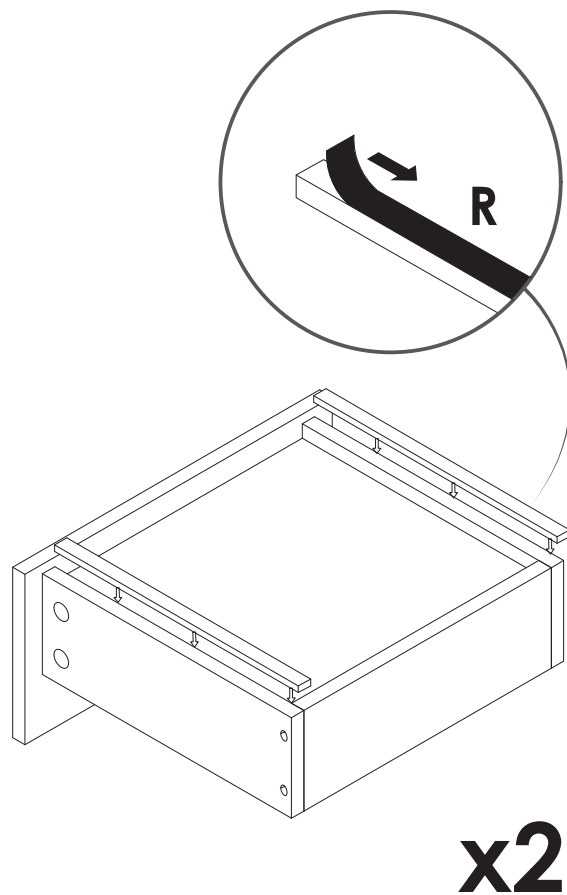
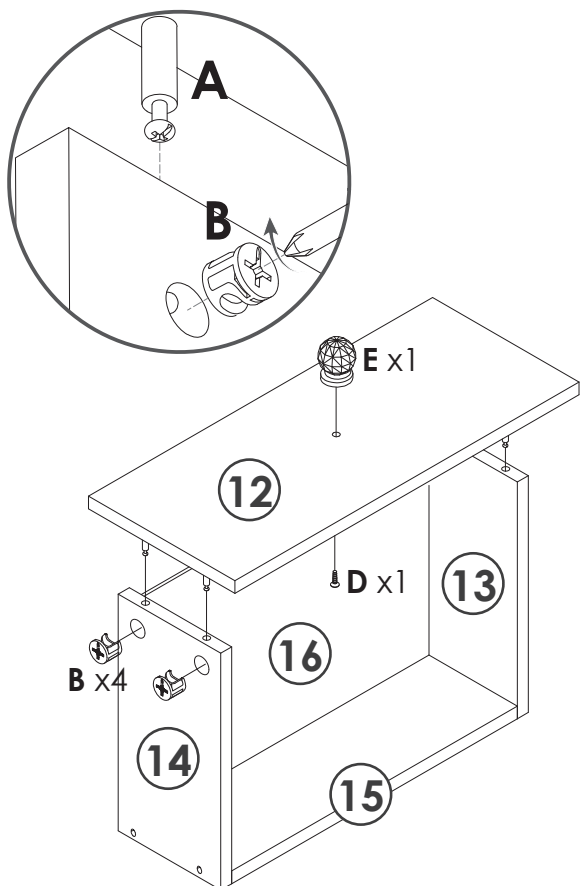
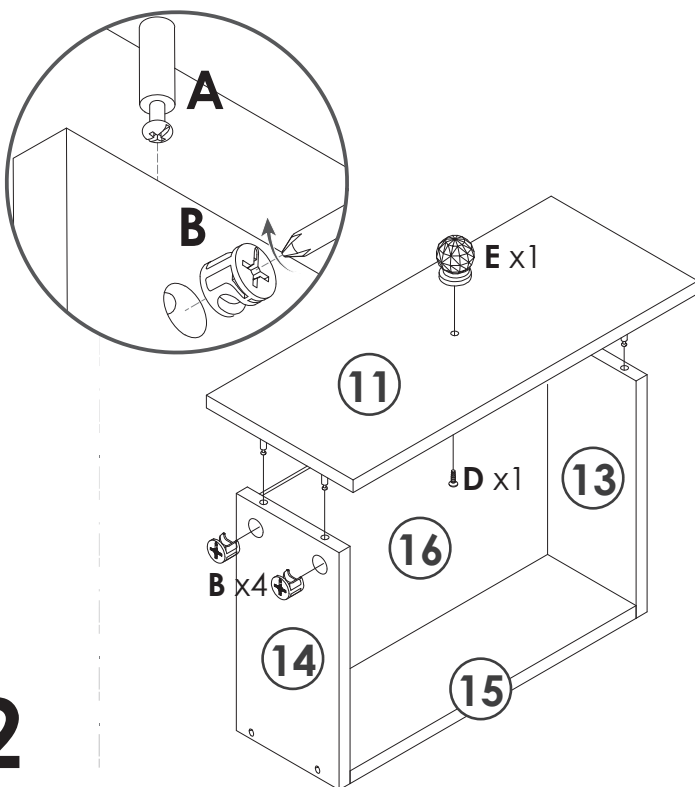
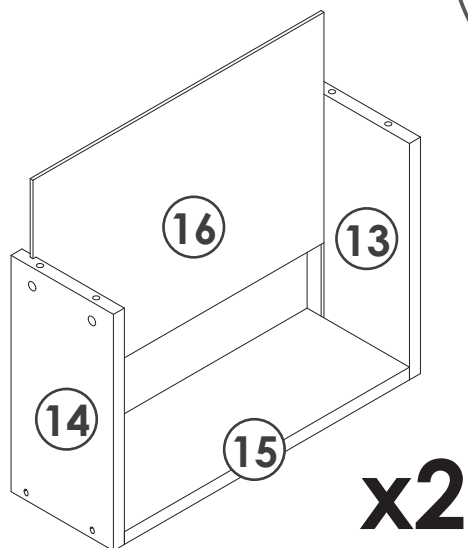
YOU WILL NEED

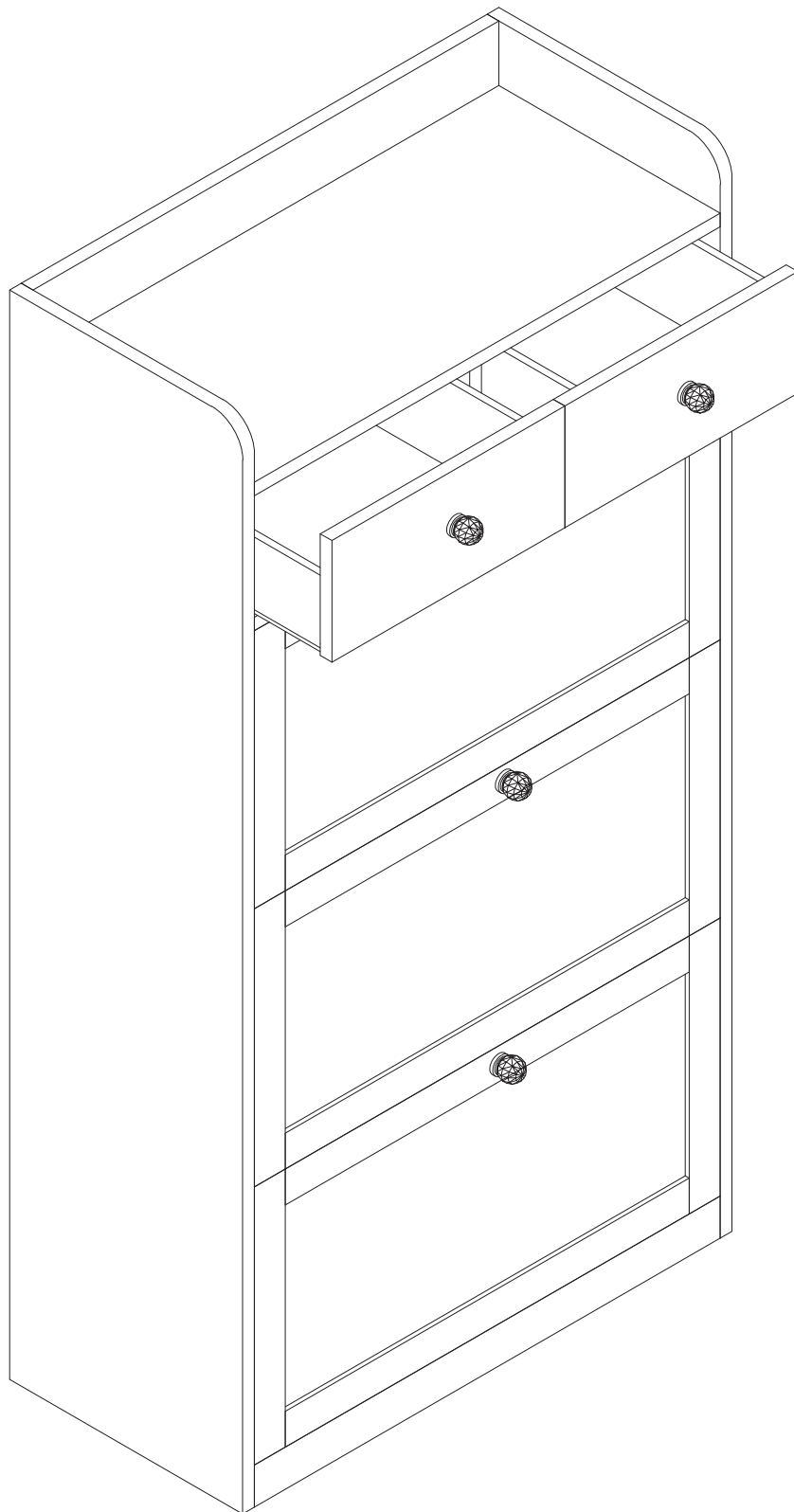
B x8

D x2

E x2

R x4





YOU WILL NEED

N x41

