
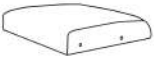







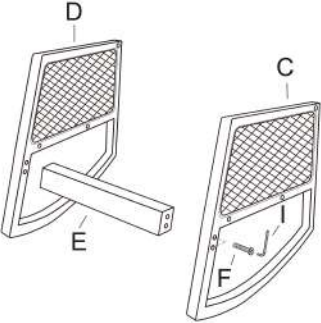


ASSEMBLY INSTRUCTIONS

A		1PCS
B		1PCS
C		1PCS
D		1PCS
E		1PCS
F	 M8X60	12PCS
G		2PCS
H		10PCS
I		1PCS

Step1

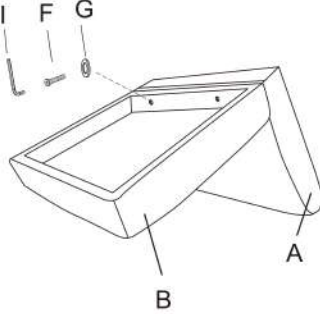
C X 1
D X 1
E X 1
F X 4
I X 1



(screw tightened 80%)

Step2

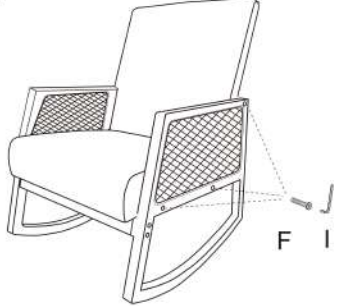
A X 1
B X 1
F X 2
G X 2
I X 1



(screw tightened 80%)

Step3


F X 6
I X 1



(screw tightened 80%)

Step4


I X 1



(screw tightened 100%)

Step5

H X 10



Step6



(Enjoy your new Accent Chair)

**WARNING: *DO NOT STAND ON THE CHAIR *THIS CHAIR IS DESIGNED TO SEAT ONE PERSON ONLY *DO NOT USE THE CHAIR UNLESS ALL THE BOLTS AND SCREWS ARE FINALLY TIGHTENED
 *AT LEAST EVERY FOUR MONTHS, PLEASE CHECK ALL BOLTS AND SCREWS TO MAKE SURE THEY ARE SECURELY TIGHTENED
 *IF ANY PARTS ARE MISSING, BROKEN, DAMAGED, OR WORN, STOP USING THIS PRODUCT IMMEDIATELY UNTIL REPAIRS ARE MADE
 *FAILURE TO FOLLOW THESE WARNINGS COULD RESULT IN SERIOUS INJURY**