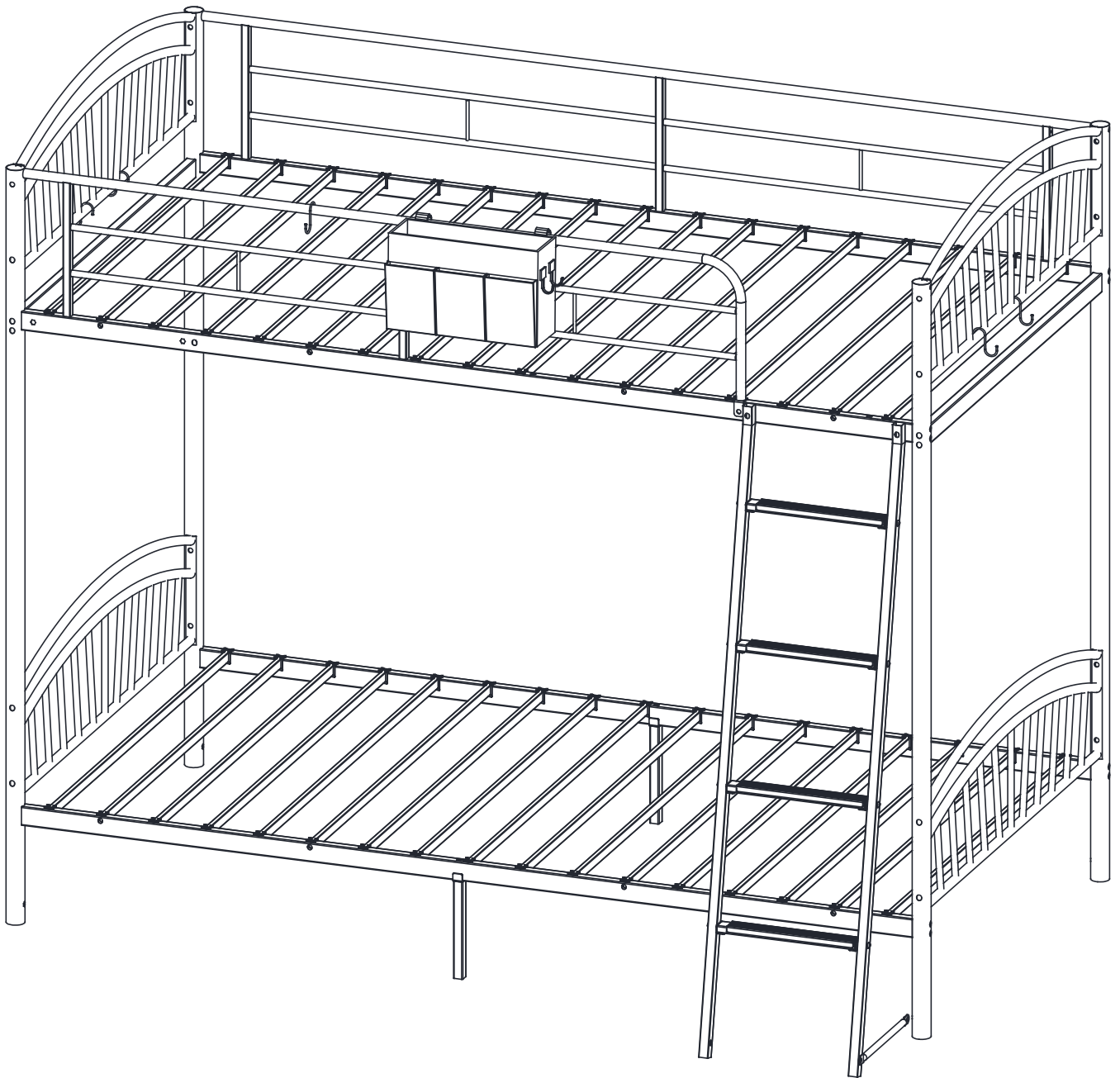


ASSEMBLY INSTRUCTIONS

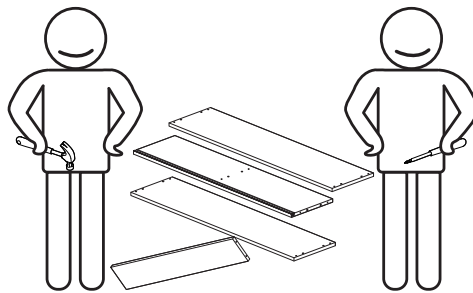
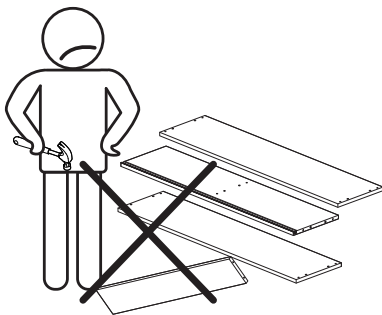


WARNING

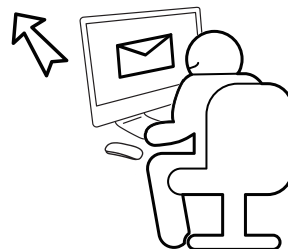
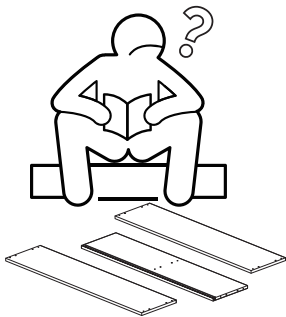
To help prevent serious or fatal injuries from entrapment or falls:

- Never allow a child under 6 years on upper bunk.
- Use only a mattress that is 74-75 inches long and 37½-38½ inches wide on upper bunk.
- Ensure thickness of mattress and foundation combined does not exceed 6 inches and that mattress surface is at least 5 inches below upper edge of guardrails.
- Always use guardrails on both long sides of upper bunk.
- Prohibit horseplay on or under beds.
- Prohibit more than one person on upper bunk.
- Use ladder for entering or leaving upper bunk.

STRANGULATION HAZARD - Never attach or hang items to any part of the bunk bed that are not designed for use with the bed; for example, but not limited to, belts, hooks, jump ropes and towels.



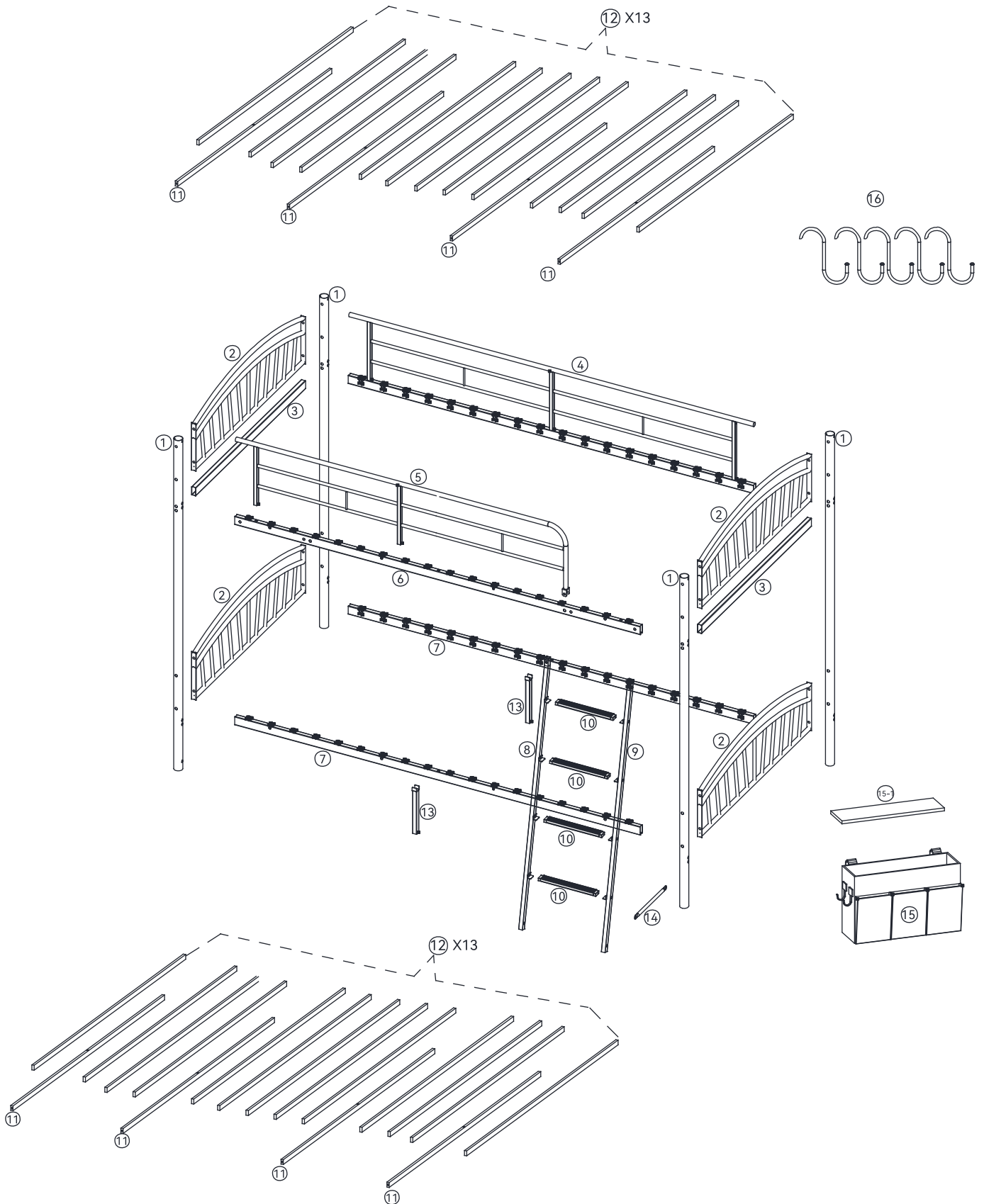
We recommend at least 2 people for the assembly.

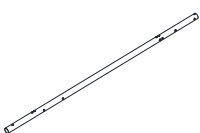
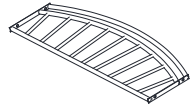
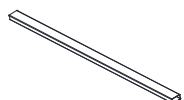

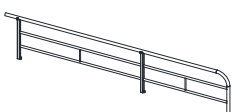



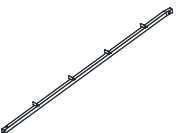
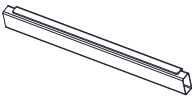




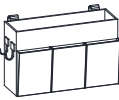




WARNING

- Carefully read and follow all instructions. Save for future reference.
- Intended for indoor use only. Do not leave the bed outdoors.
- This product is to be assembled by an adult. Children are not allowed to assemble the product. Keep unassembled and small parts out of reach of children.
- Follow the instructions for assembly and use. We shall not be liable for damage or injury resulting from improper assembly or use.
- Avoid long-term exposure to humid environment or direct sunlight.
- Keep away from sharp objects and corrosive chemicals.
- During assembly, align all screws with the corresponding pre-drilled holes and then tighten one by one.
- Fully tighten all bolts and screws before use. Bolts and screws may become loose after long period of use. Regularly check and make sure all bolts and screws are fully tightened.
- Periodically, check and ensure that the guardrail, ladder and other components are in their proper position, free from damage, and that all connectors are tight.
- DO NOT allow children to stand, climb or play on the product.
- DO NOT remove warning label from bed.
- Dispose of all packaging materials properly. Keep away from children and pets. Keep plastic bags away from babies and small children.

PARTS DIAGRAM



<p>①</p>  <p>4 PCS</p>	<p>②</p>  <p>4 PCS</p>	<p>③</p>  <p>2 PCS</p>	<p>④</p>  <p>1 PC</p>	
<p>⑤</p>  <p>1 PC</p>	<p>⑥</p>  <p>1 PC</p>	<p>⑦</p>  <p>2 PCS</p>	<p>⑧</p>  <p>1 PCS</p>	
<p>⑨</p>  <p>1 PCS</p>	<p>⑩</p>  <p>4 PCS</p>	<p>⑪</p>  <p>8 PCS</p>	<p>⑫</p>  <p>26 PCS</p>	
<p>⑬</p>  <p>2 PCS</p>	<p>⑭</p>  <p>1 PC</p>	<p>⑮</p>  <p>1 PC</p>	<p>⑮-1</p>  <p>1 PC</p>	<p>⑯</p>  <p>5 PCS</p>

HARDWARES



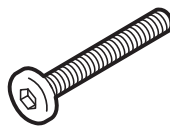
M6x15mm

A x 3



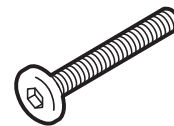
M6x35mm

B x 34



M6x60mm

C x 4



M8x65mm

D x 27

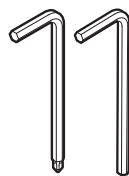


E x 43



M6x17mm

F x 17



4mm

G x 2



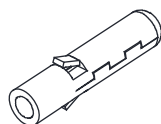
5mm

H x 2

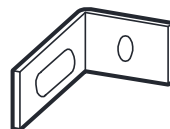


M4x40mm

I x 2



J x 2



K x 2



L x 8



M6x45mm

M x 8

SPARE PARTS



The spare parts are the additional parts provided in case of missing or damaged ones. Keep the spare parts and tools for future use.



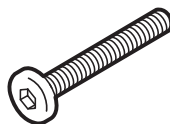
M6x15mm

A x 1



M6x35mm

B x 4



M6x60mm

C x 1



M8x65mm

D x 3

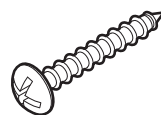


E x 4



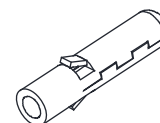
M6x17mm

F x 2



M4x40mm

I x 2



J x 2

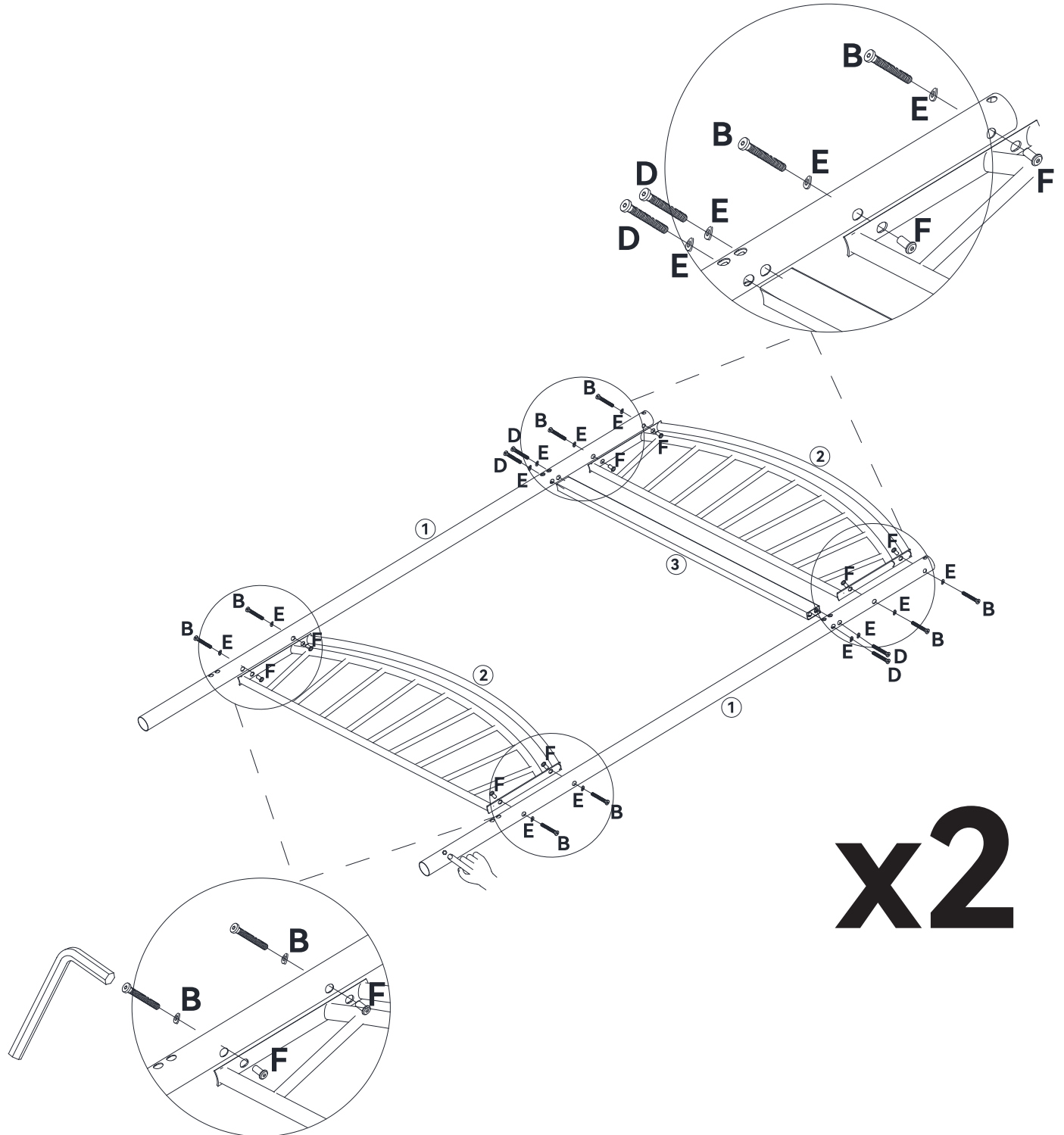
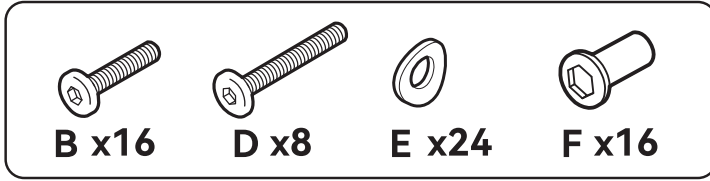


M6x45mm

M x 1

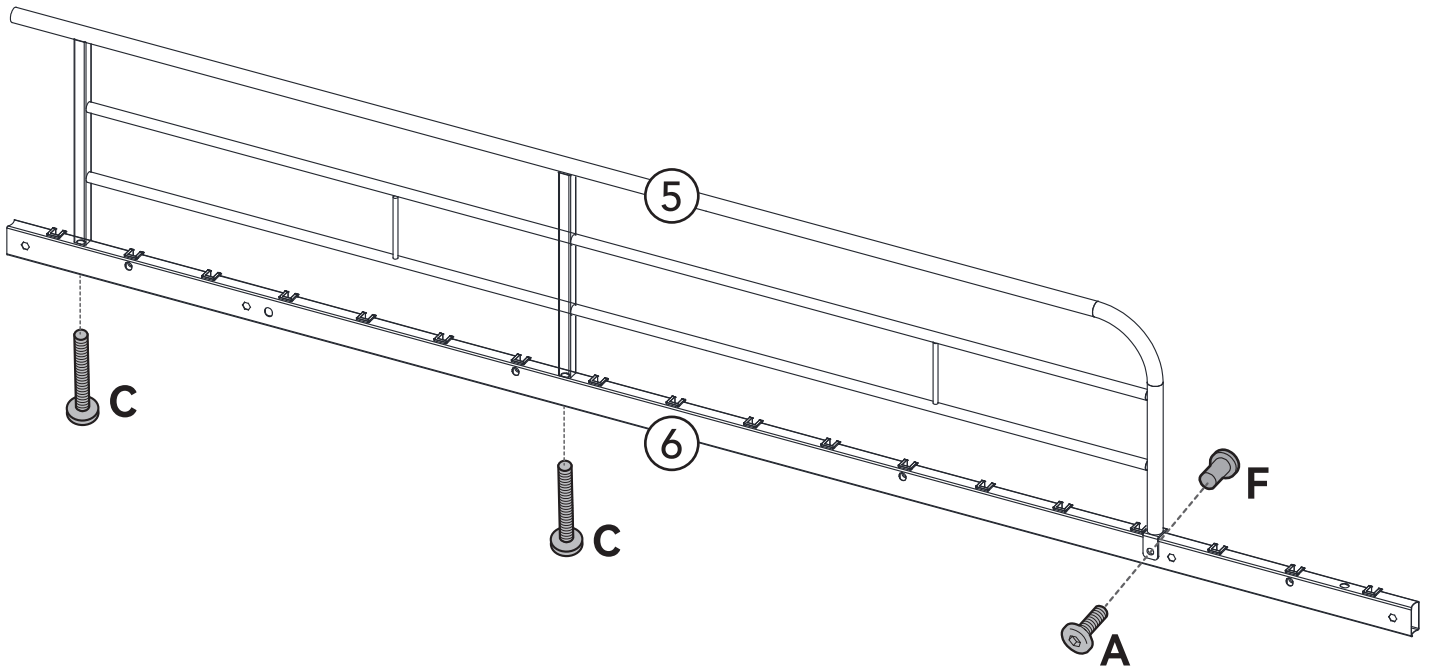
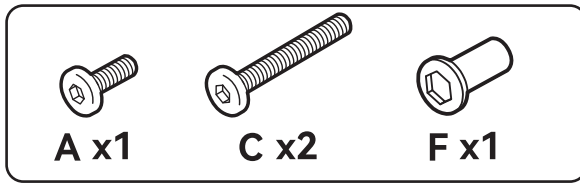
ASSEMBLY

1

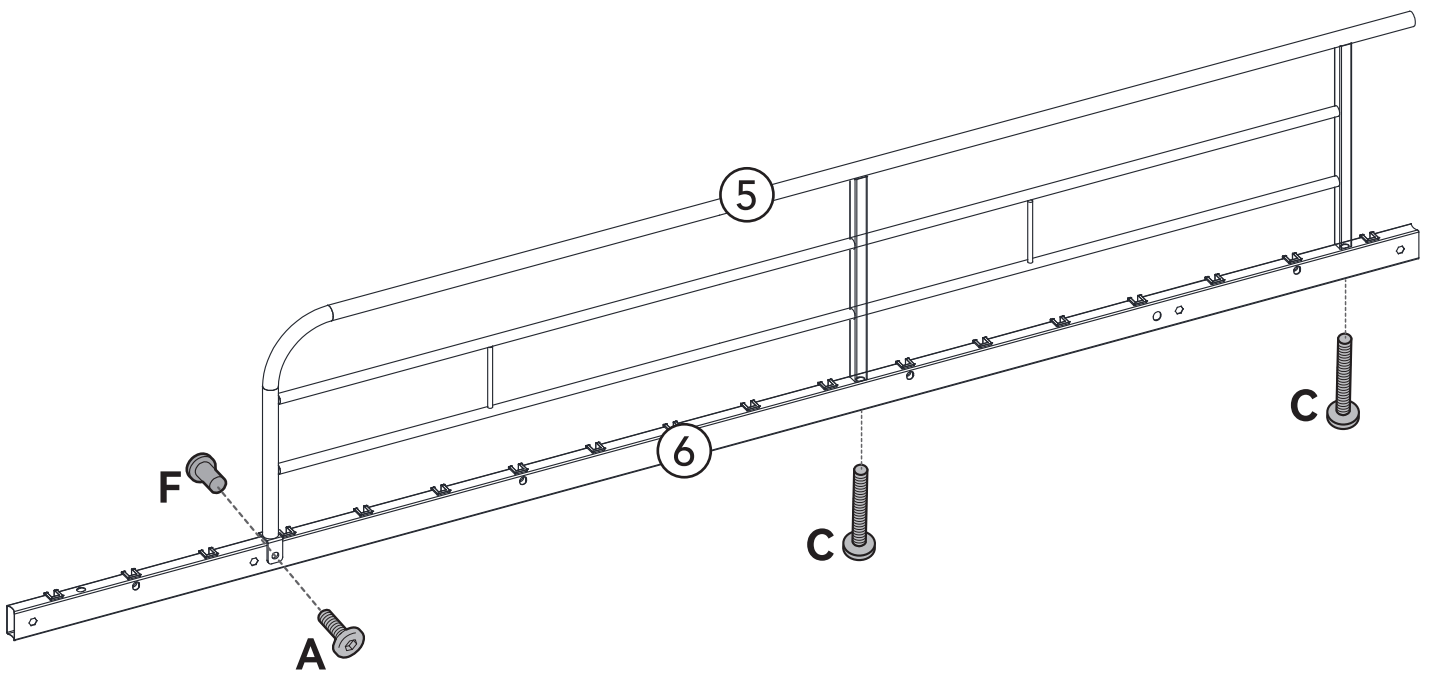


x2

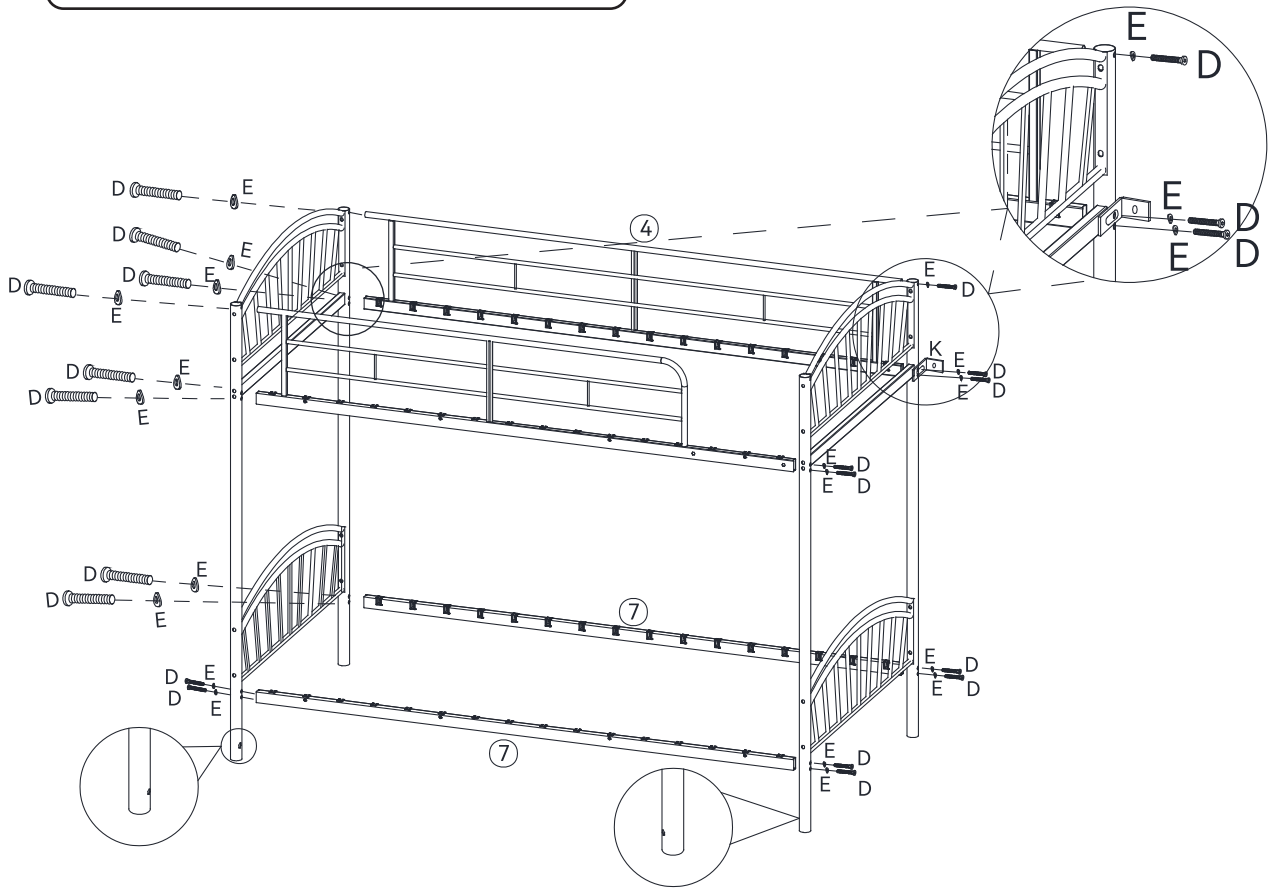
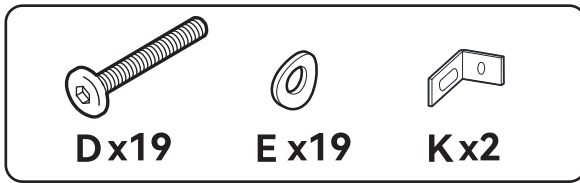
2



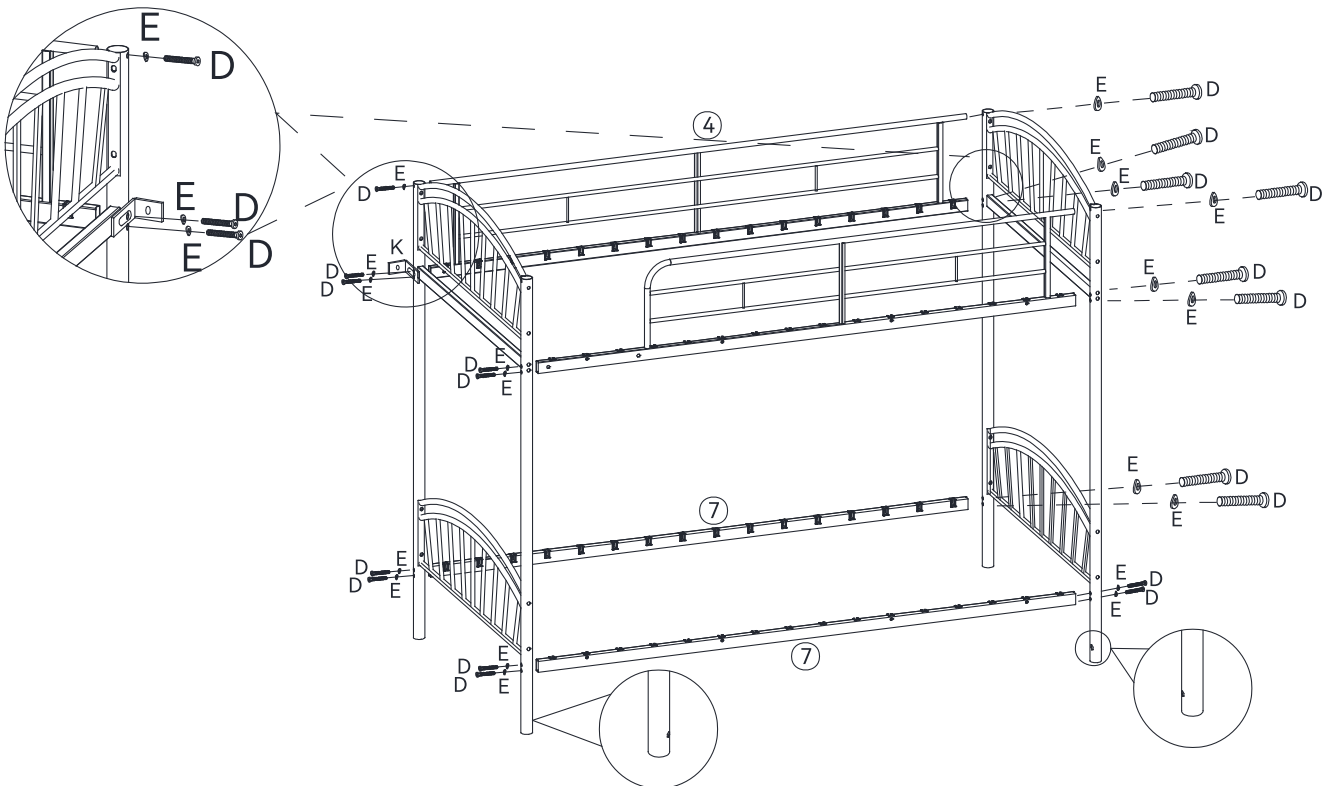
For ladder on the left side



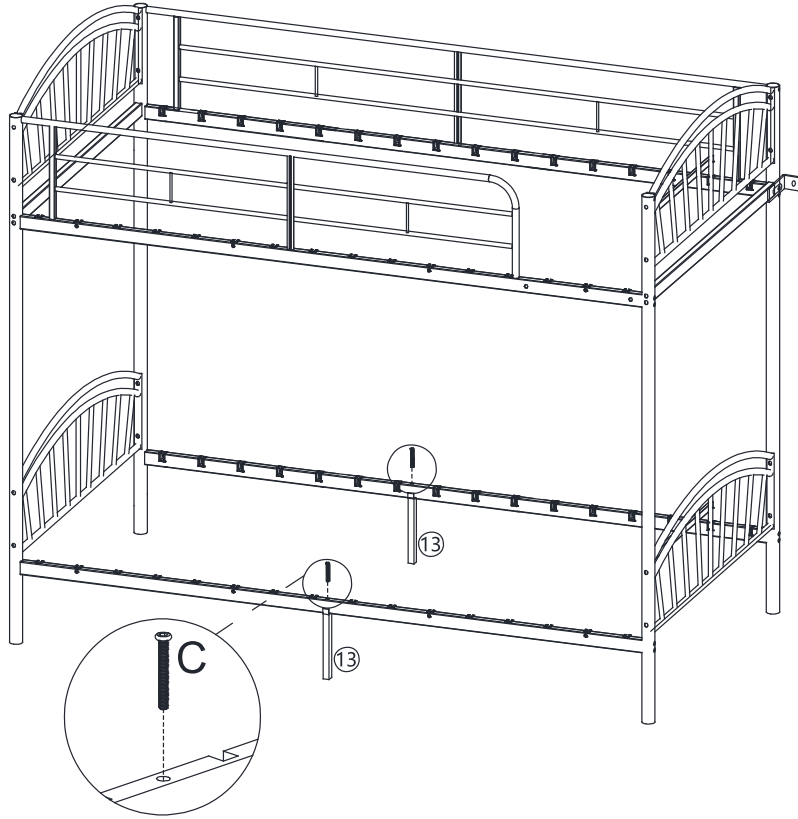
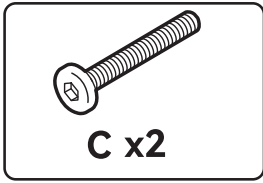
3



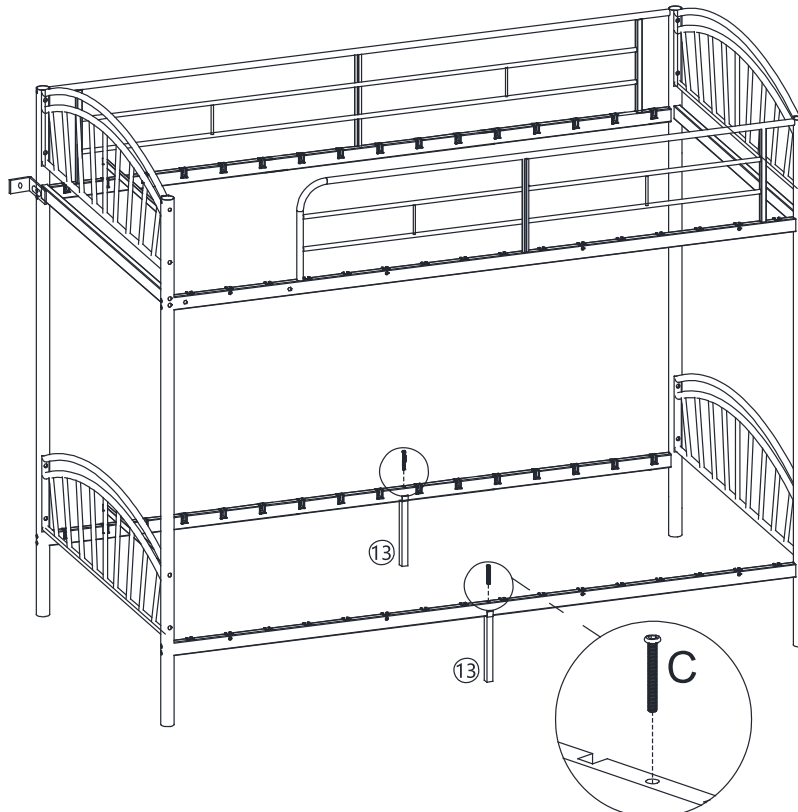
For ladder on the left side



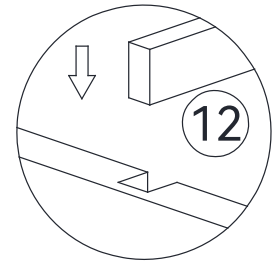
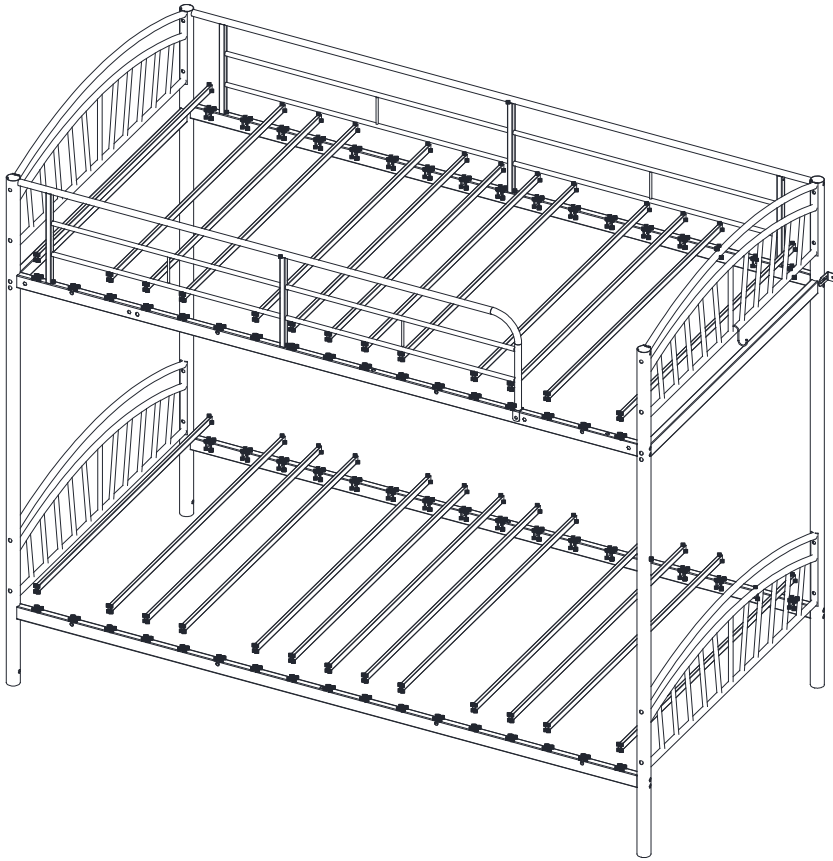
4



For ladder on the left side

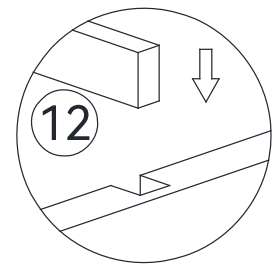
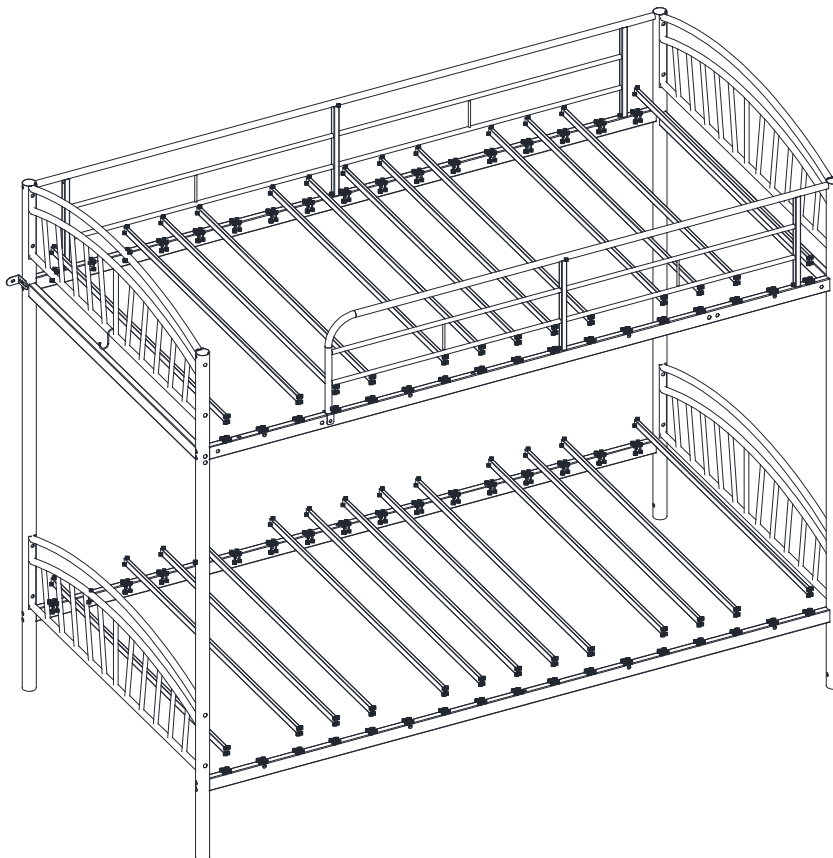


5



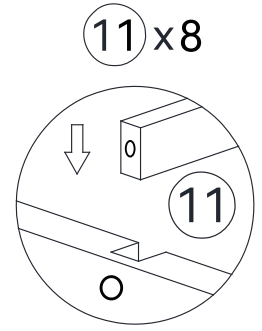
12 x 26

For ladder on the left side

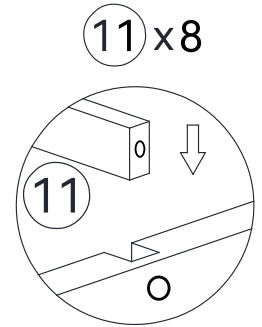


12 x 26

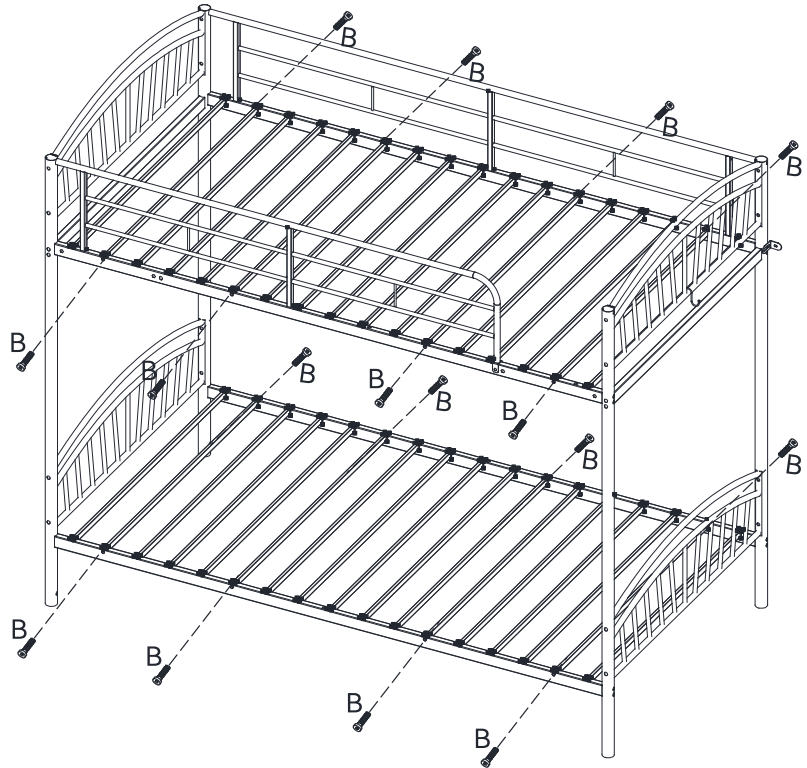
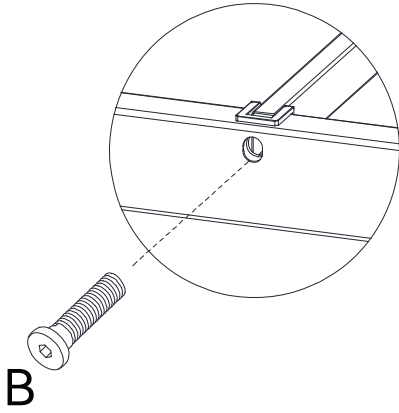
6



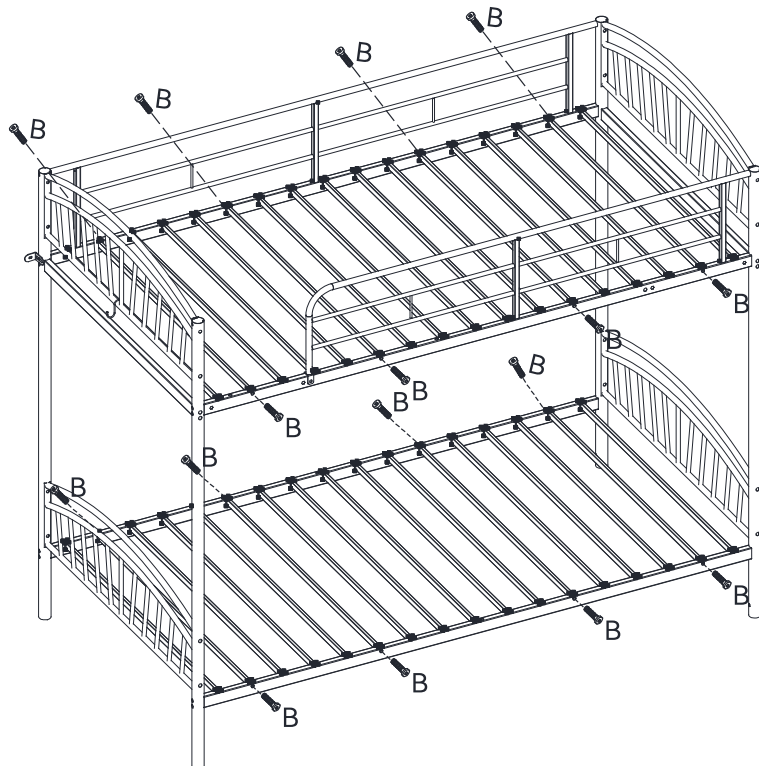
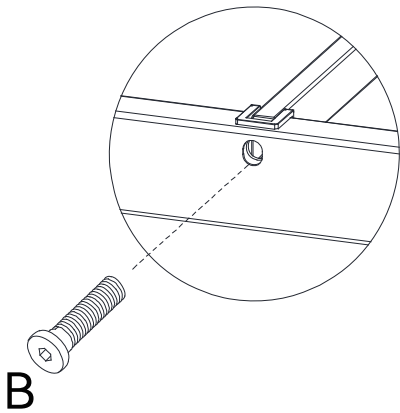
For ladder on the left side



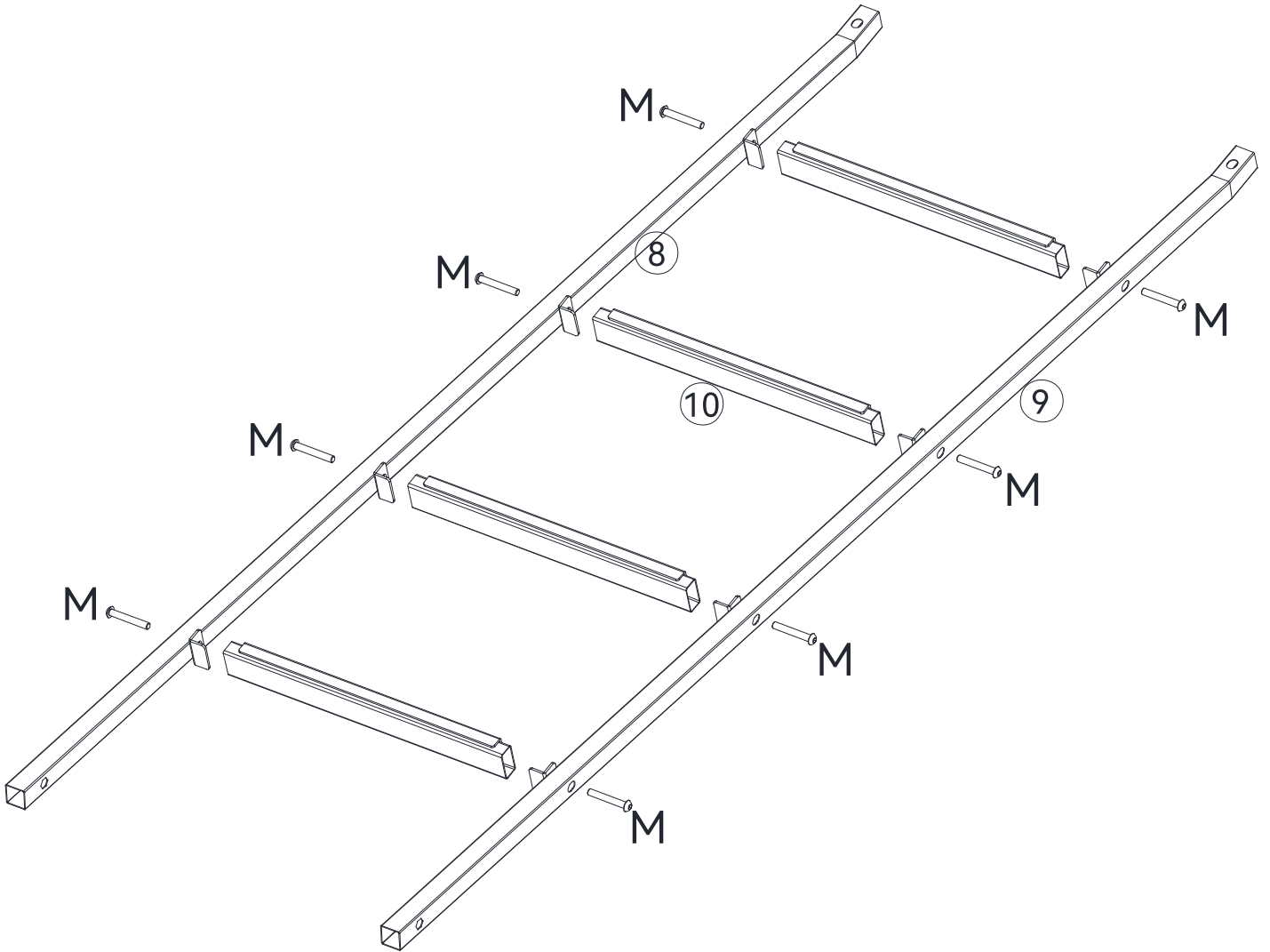
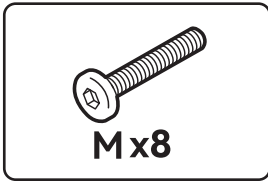
7



For ladder on the left side



8



9

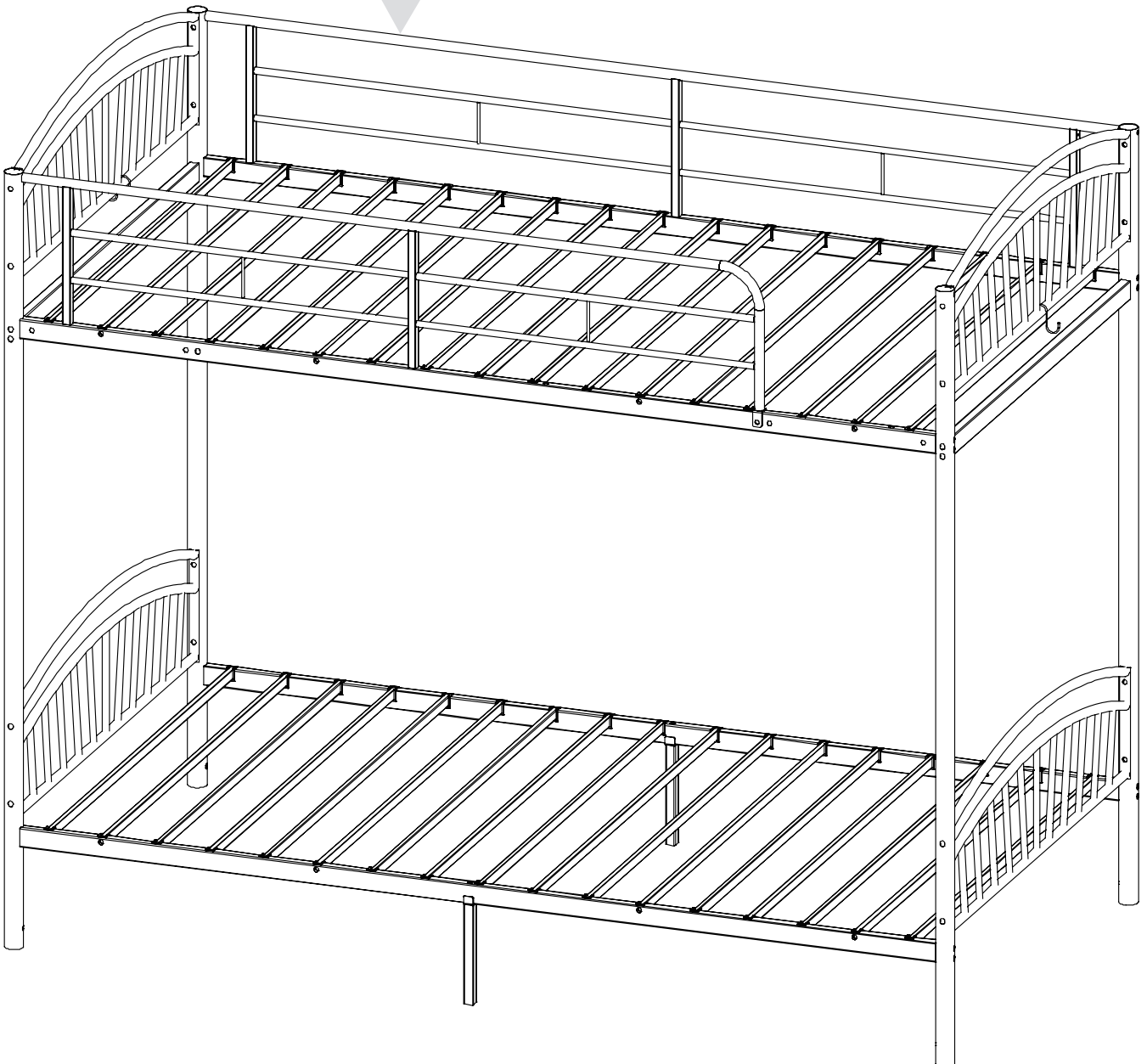


WARNING

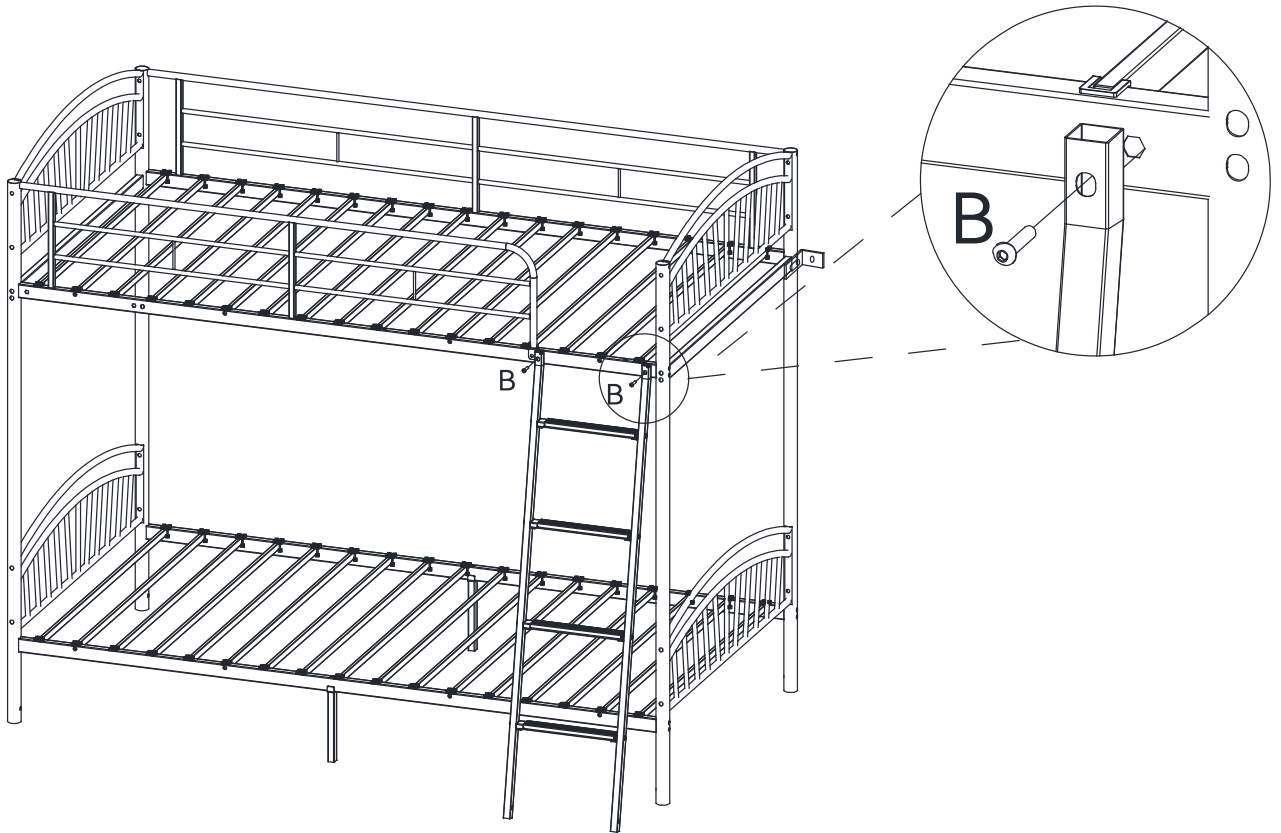
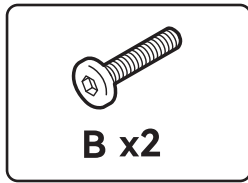
To help prevent serious or fatal injuries from entrapment or falls:

- Never allow a child under 6 years on upper bunk.
- Use only a mattress that is 74-75 inches long and 37½-38½ inches wide on upper bunk.
- Ensure thickness of mattress and foundation combined does not exceed 6 inches and that mattress surface is at least 5 inches below upper edge of guardrails.
- Always use guardrails on both long sides of upper bunk.
- Prohibit horseplay on or under beds.
- Prohibit more than one person on upper bunk.
- Use ladder for entering or leaving upper bunk.

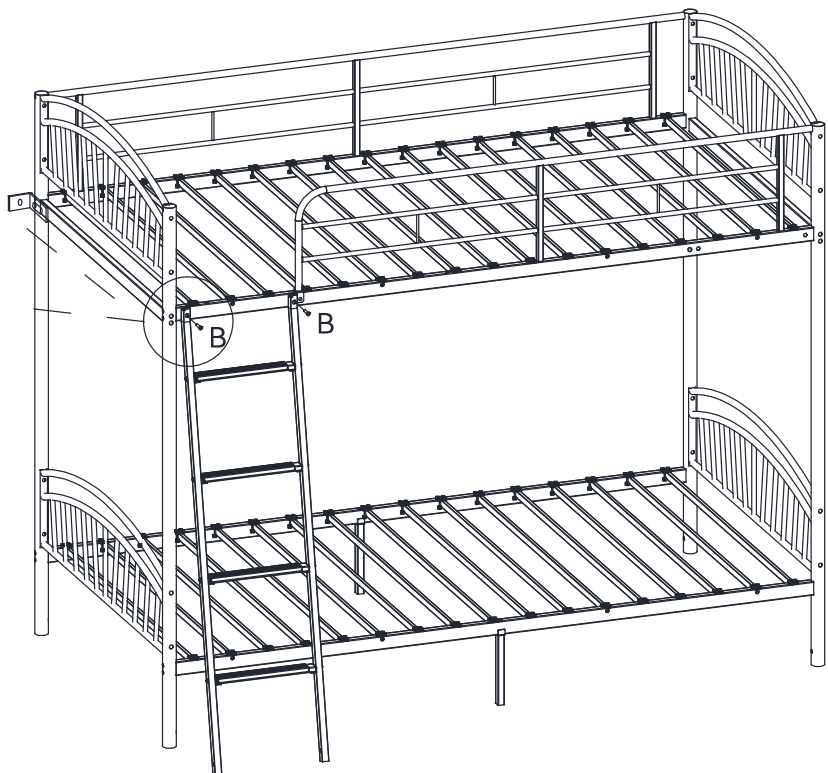
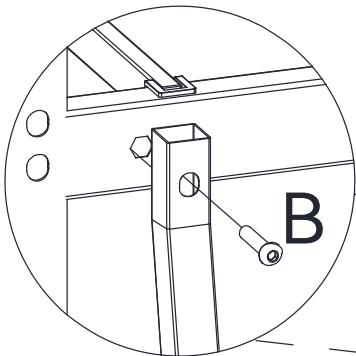
STRANGULATION HAZARD - Never attach or hang items to any part of the bunk bed that are not designed for use with the bed; for example, but not limited to, belts, hooks, jump ropes and towels.



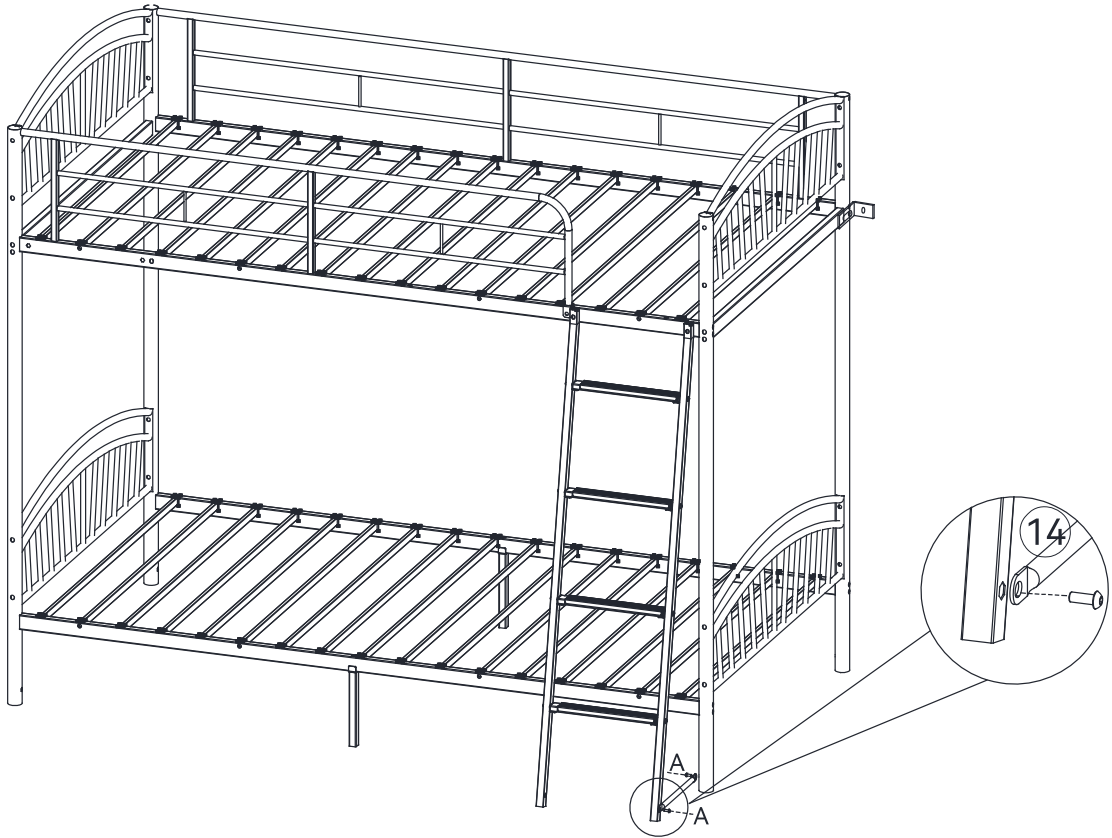
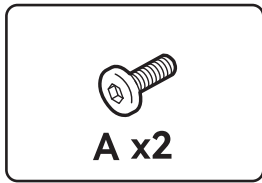
10



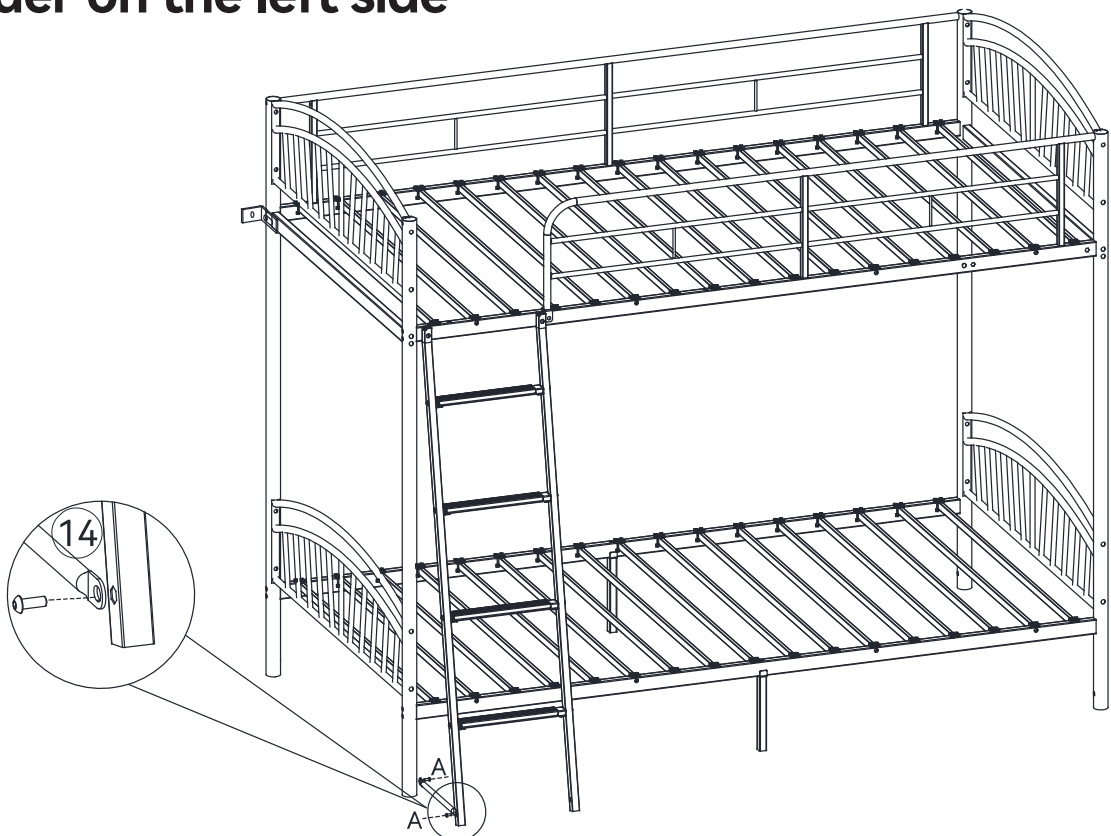
For ladder on the left side



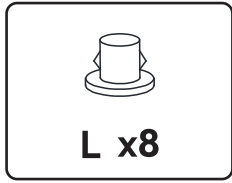
11



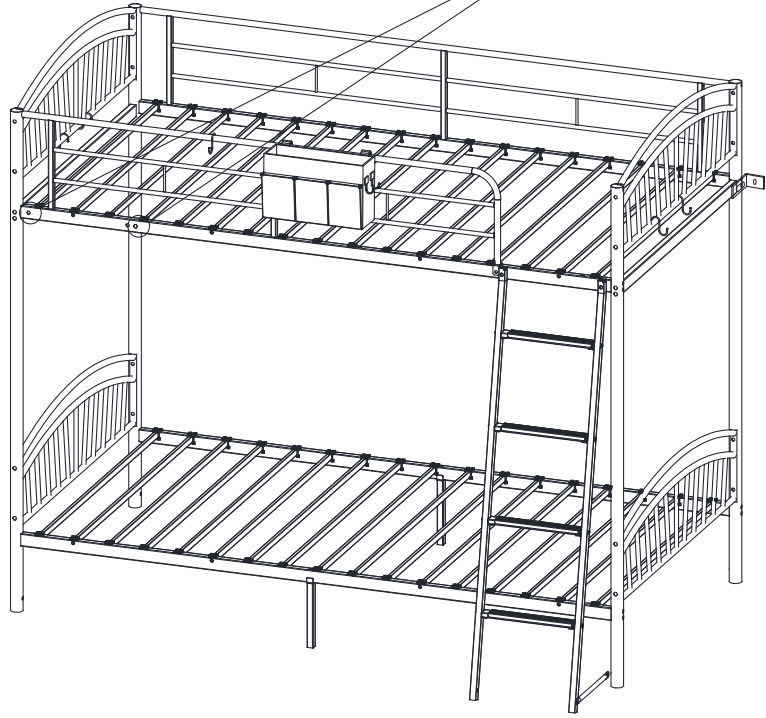
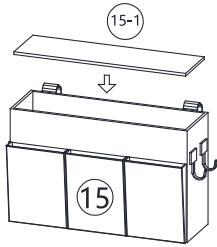
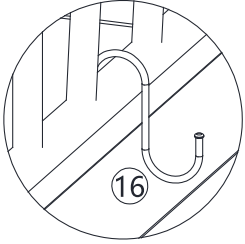
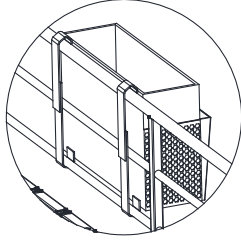
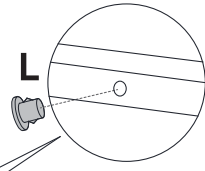
For ladder on the left side



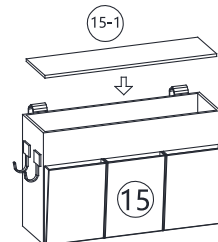
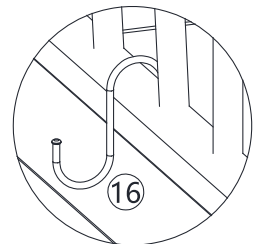
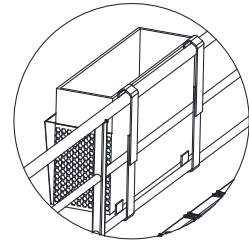
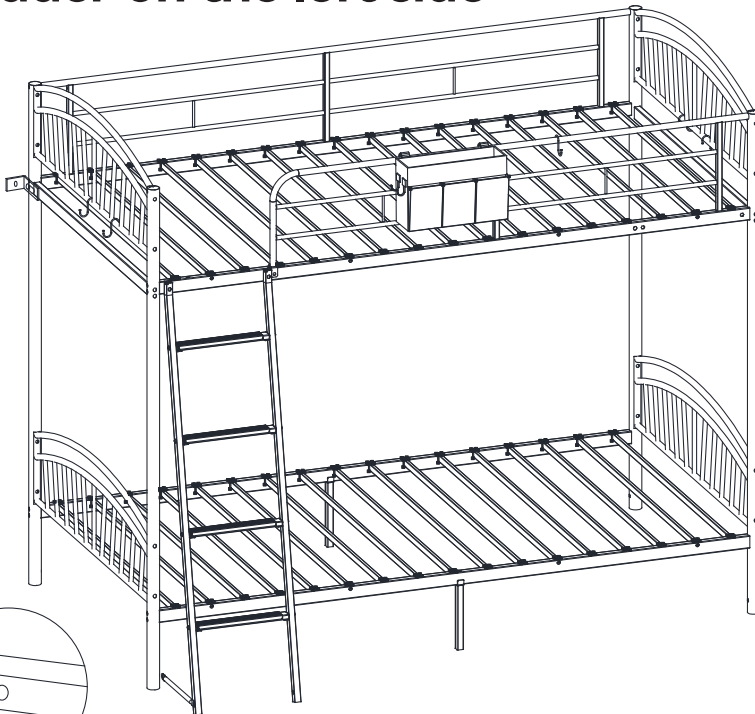
12



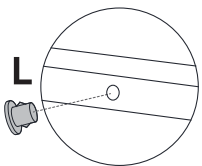
Block extra holes with L-shaped stoppers.



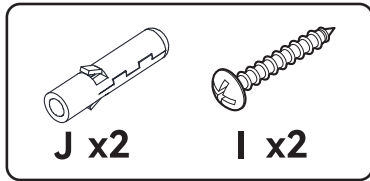
For ladder on the left side



Block extra holes with L-shaped stoppers.

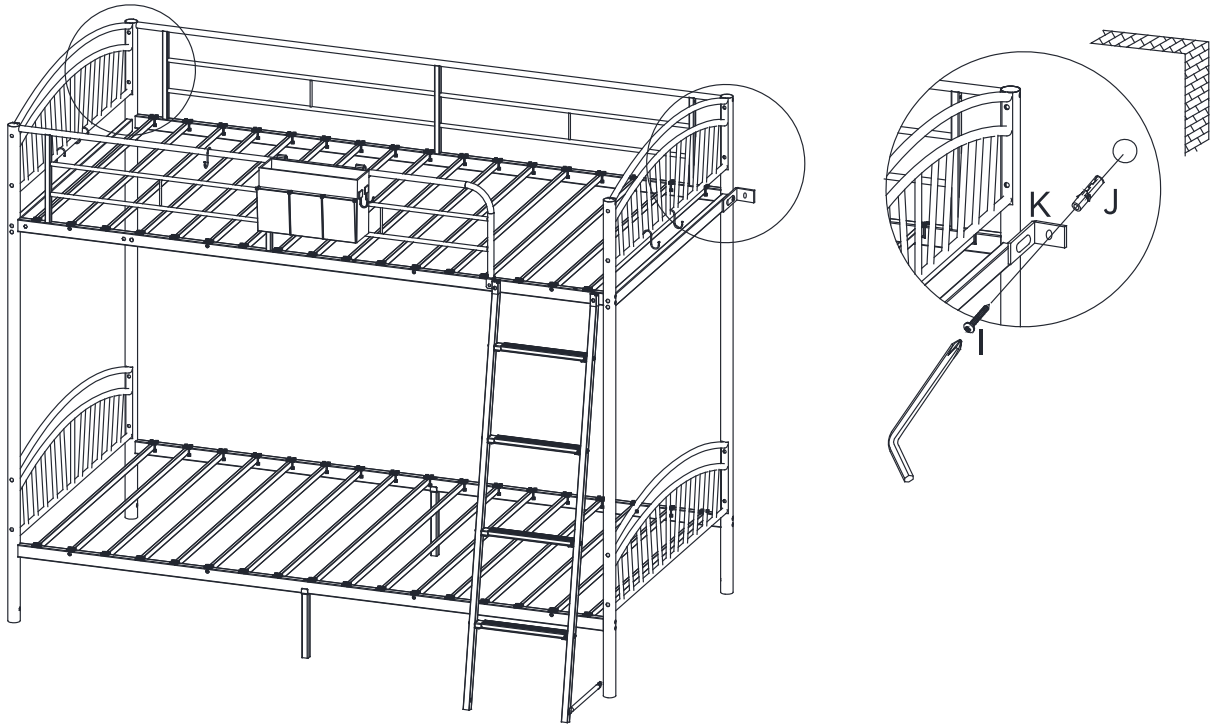


13



IMPORTANT:

Position the bed with one side against a wall and secure this side to the wall with the provided tip-over restraint.



For ladder on the left side

