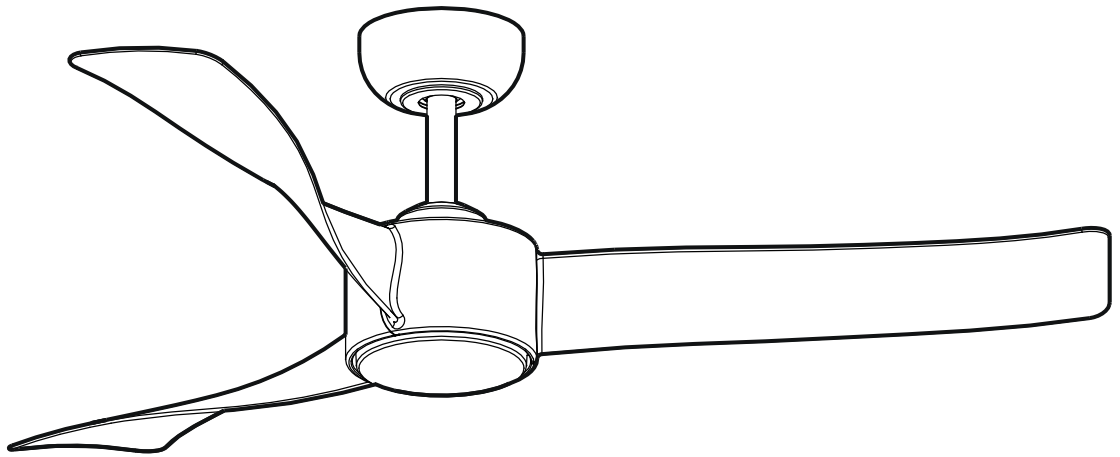


CEILING FANS

INSTALLATION INSTRUCTION

Model Series



Trouble shooting:

Missing / Wrong / Broken parts and installation issues



Send email with your question pic, order NO. and screenshot of order details to:

support@idealhouse.vip



Respond within 24 hours



Issue resolved

READ AND SAVE THESE INSTRUCTIONS

READ AND SAVE THESE INSTRUCTIONS



Before beginning installation of your new ceiling fan, read and follow these safety precautions. If you are not familiar with national and local electrical codes and basic electrical wiring procedures, we recommend that you have a qualified electrician install your new ceiling fan.

- ❖ Before you begin, **TURN OFF THE ELECTRICITY**. Determine which circuit your new fan will be using and remove the fuse or turn off the circuit breaker at the main electrical panel.
- ❖ Make sure that all wiring conforms to national and local electrical codes. If you are in question, obtain a copy of the codes and wire the fan accordingly. Never leave bare wires uncovered (*wire connection*), use wire nuts to cap all connections. Plastic electrical tape is not recommended.
- ❖ When working with electricity, never take short cuts. Follow the code in every respect. Basic requirements for a ceiling fan installed with lights are, 120 volts AC - 60Hz, on a grounded circuit with a 15 amp breaker or fuse. Make sure that your electrical system and choice of location meet these requirements.
- ❖ If the location where you plan to install your fan does not already have an electrical outlet, hire a licensed electrician to run the wiring and install an outlet box designed for ceiling fans or heavy fixtures. The outlet box should be able to support a minimum moving weight of 50 pounds and marked “Acceptable for Fan Support” (*Plastic outlet boxes are not recommended for ceiling fan installation*).
- ❖ If you plan to use an existing electrical location, check to make sure that the outlet box is not **PLASTIC**, that it is securely attached and able to support at least 50 pounds of moving weight and marked “Acceptable for Fan Support”. If you have any questions, outlet boxes and support systems for ceiling fans are available at most hardware and do-it-yourself centers. In most cases, your dealer will have all the necessary products for the proper and safe installation of your ceiling fan.
- ❖ The location you choose should have a minimum clearance of 20 inches from any wall to the blade tip at any point in its rotation and a minimum of 7 feet from blade level to floor .

- ❖ This ceiling fan was not designed for installation in any location where it might be exposed to moisture or high humidity. Installation in this type of location could be UNSAFE, will most likely damage the fan and its finish... and will VOID YOUR WARRANTY.
- ❖ Every effort has been made to provide you with proper instructions for the safe installation of this ceiling fan. You could however, encounter situations or problems not covered in this manual. Should this occur, please refer to a do-it-yourself wiring handbook or hire a qualified electrician to install your fan.
- ❖ Never attach the blades to your ceiling fan before the fan body is properly mounted on the ceiling.
- ❖ Lubrication of your new ceiling fan is not necessary. The ball bearings have been adequately charged with grease and permanently sealed at the factory so that, under normal conditions, further attention is not necessary.



To reduce the risk of fire, electrical shock, or personal injury, mount this fan to an outlet box marked “Acceptable for Fan Support” and use the Mounting Screws provided with the outlet box. **CAUTION:** Install the primary mounting means and use only the hardware provided with the fan.



To reduce the risk of personal injury take care not to bend the blade carriers. Be careful not to insert foreign objects into rotating fan blades.

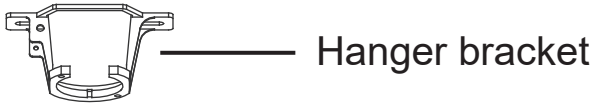


The important safeguards and instructions appearing in this manual are not meant to cover all possible conditions and situations that may occur. It must be understood that common sense, caution and careful attention to detail are factors which cannot be built into this product. These factors must be supplied by the person or persons installing, caring for, and operating the unit.



Look for Me!
I have safety Tips and
Ideas for installation

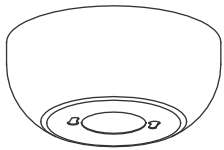
These instructions are designed for a number of similar but different ceiling fans. As you proceed, some steps may or may not apply to the fan you purchased. Compare each step or optional procedure to your fan and proceed accordingly.



Hanger bracket



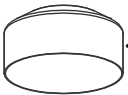
Downrod assembly



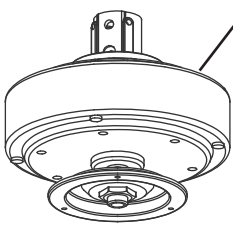
Canopy



Decorative ring

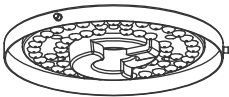


Coupling cover

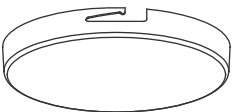


Fan motor assembly

Fan blades(3)



Light kit plate

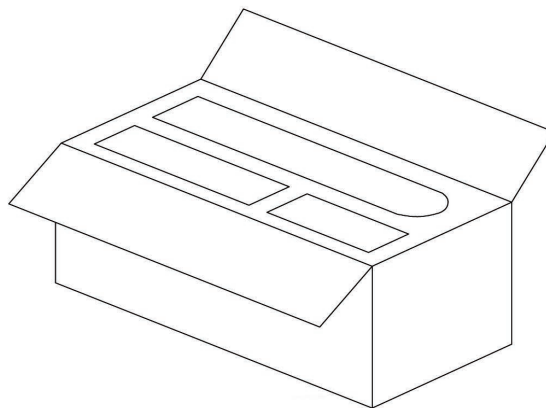


Lampshade cover

Step1. Unpacking your fan

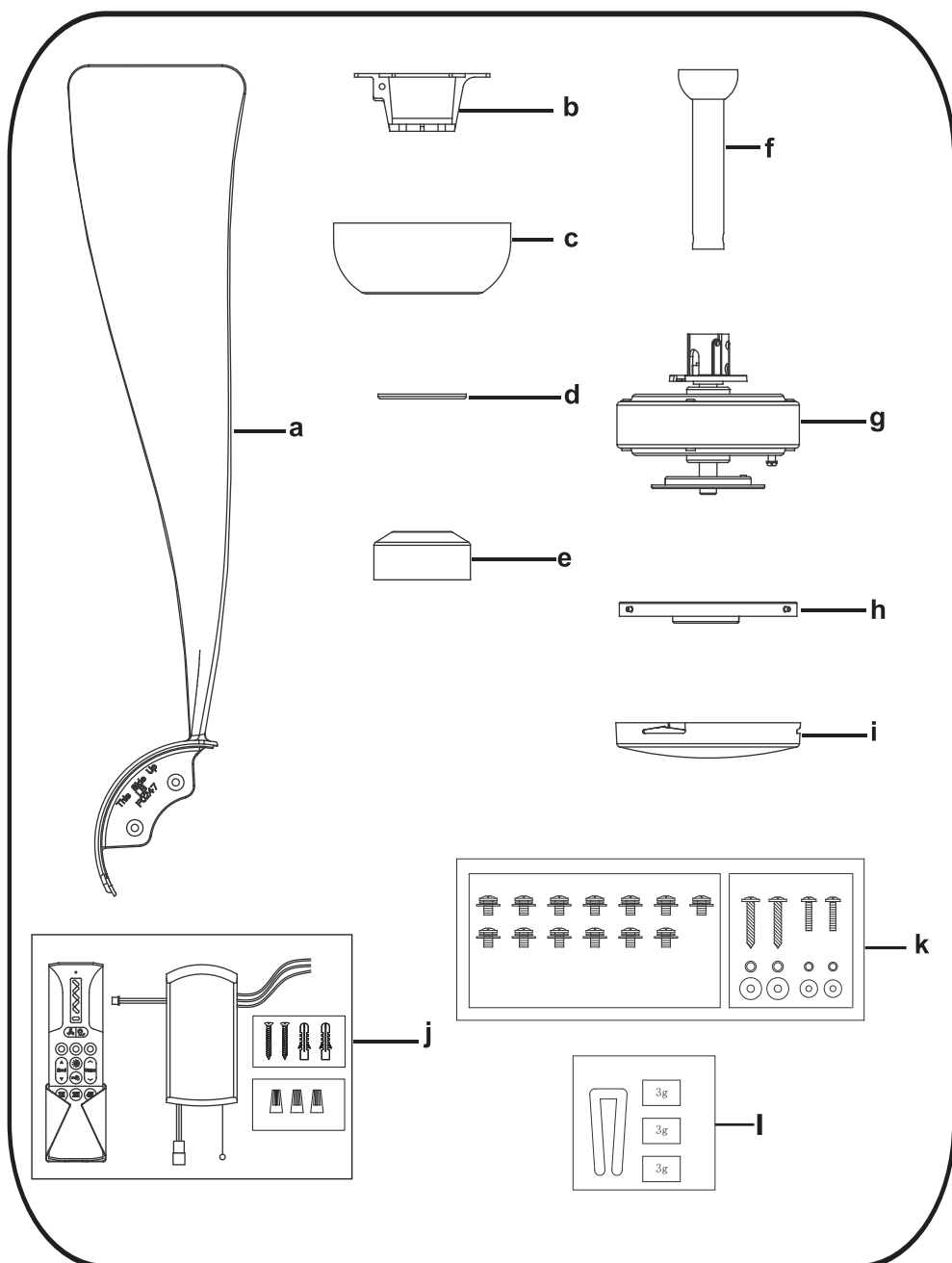
Carefully open the packaging. Remove items from Styrofoam inserts. Remove motor housing and place on carpet or styrofoam to avoid damage to finish. Do not discard fan carton or styrofoam inserts should this fan need to be returned for repairs.

Check against parts inventory that all parts have been included.



Step2. Parts Inventory

- a. Fan blades(3)
- b. Hanger bracket
- c. Canopy
- d. Decorative ring
- e. Coupling cover
- f. Downrod assembly
- g. Fan motor assembly
- h. Light kit plate
- i. Lampshade cover
- j. Remote control
- k. Screws packs
- l. Balancing kit



Step 3. Installation Preparation

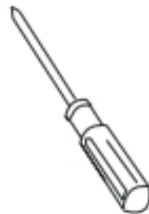
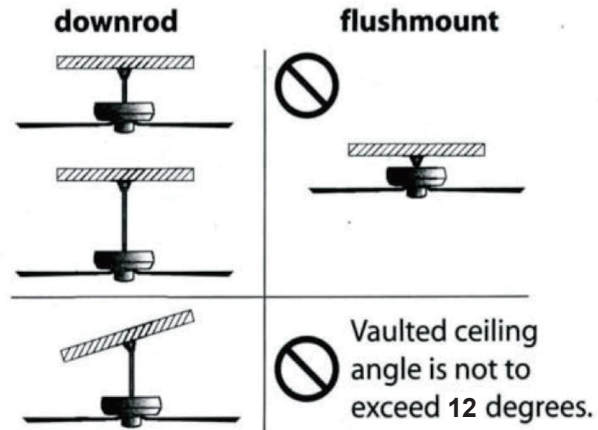
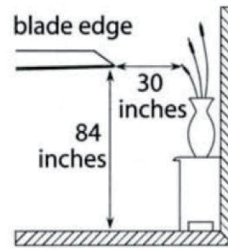
To prevent personal injury and damage ensure that the hanging location allows the blades a clearance of 84" from the floor and 30" from any wall or obstruction.

This fan is suitable for room sizes up to 400 square feet.

This fan can be mounted with a downrod on a normal or vaulted ceiling. Other installation such as flushmount is not available for this fan. The hanging length can be extended by purchasing a longer downrod.

Installation requires these tools:

Electrical tape, flathead & Phillips screwdriver, power screwdriver, adjustable spanner, pliers, safety glasses, ladder, and wire strippers



Additional helpful tools: AC tester light, tape measure, wiring handbook, and wire cutters

Step 4. Hanging Bracket Installation

Turn off circuit breakers to current fixture from breaker panel and be sure operating light switch is turned to the off position.

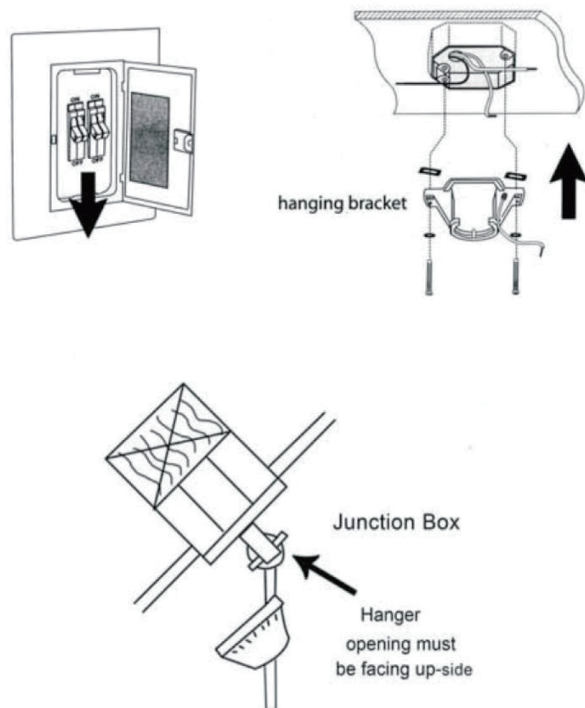
WARNING: Failure to disconnect power supply prior to installation may result in serious injury.

Remove existing fixture.

WARNING: When using an existing outlet box be sure the box is securely attached to the building structure and can support the full weight of the fan. Ensure it is clearly marked "Suitable for Fan Support." If not it must be replaced with an approved outlet box. Failure to do so can result in serious injury.

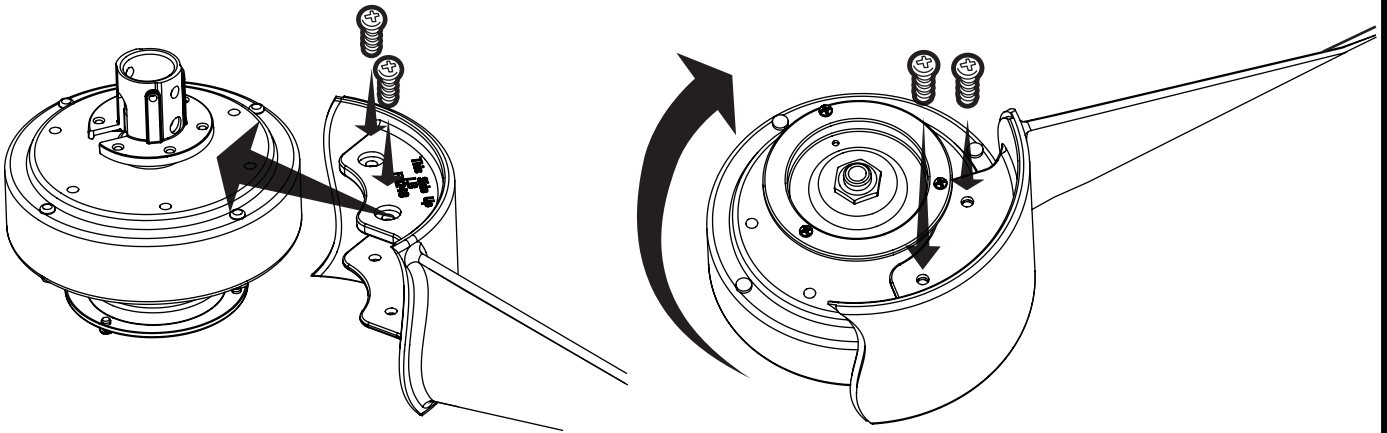
Install hanging bracket to outlet box using original screws and spring washers provided with new or original outlet box. If installing on a vaulted ceiling, face opening of hanging bracket towards high point of ceiling. Arrange electrical wiring around the back of the hanging bracket and away from the bracket opening.

Note: You may need a longer downrod to maintain proper blade Clearance when installing on a steep, sloped ceiling.

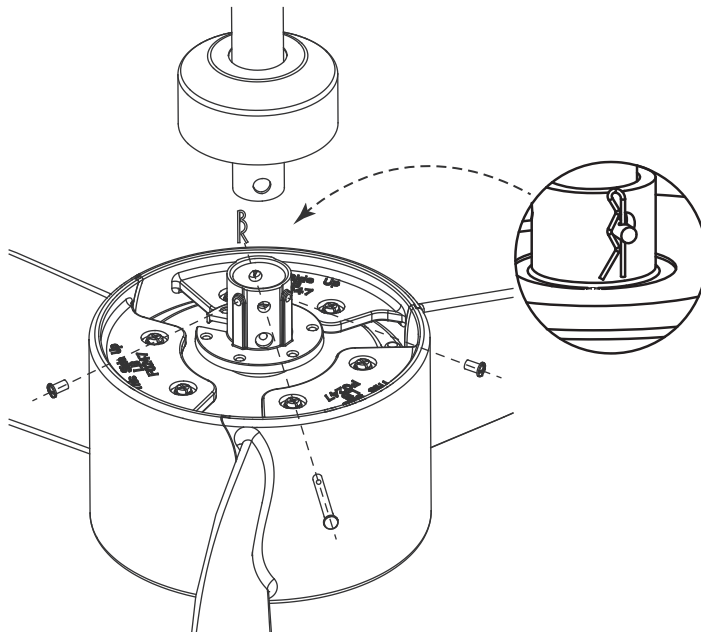


Step 5 BLADE INSTALLATION

Insert one fan blade into the blade slot on the motor housing and secure with the screws. Securely tighten screws. Repeat process with other blades.

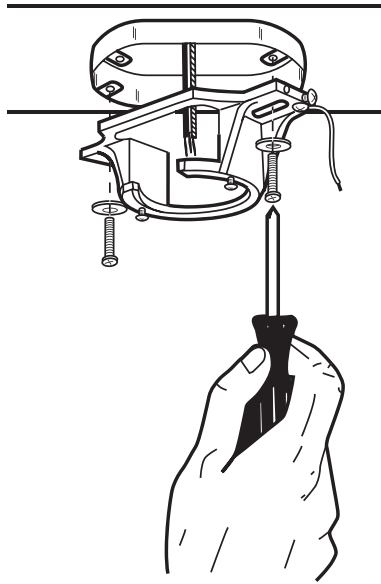


Step 6 DOWNROD INSTALLATION

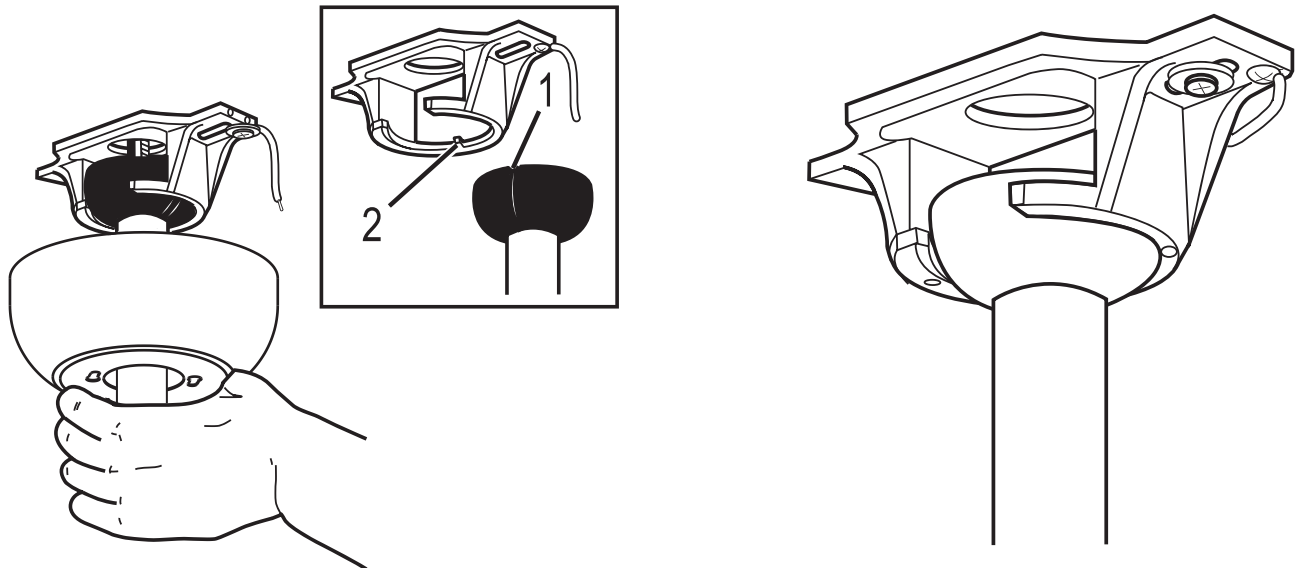


Loosen set screws in downrod coupling. Insert downrod into downrod coupling. Make sure to align hole in downrod with the hole in coupling. Install yoke cross pin through yoke and downrod. Insert clamp pin into cross pin until it snaps into place. Tighten set screws in coupling. Slide coupling cover over coupling.

Step 7 MOUNTING BRACKET



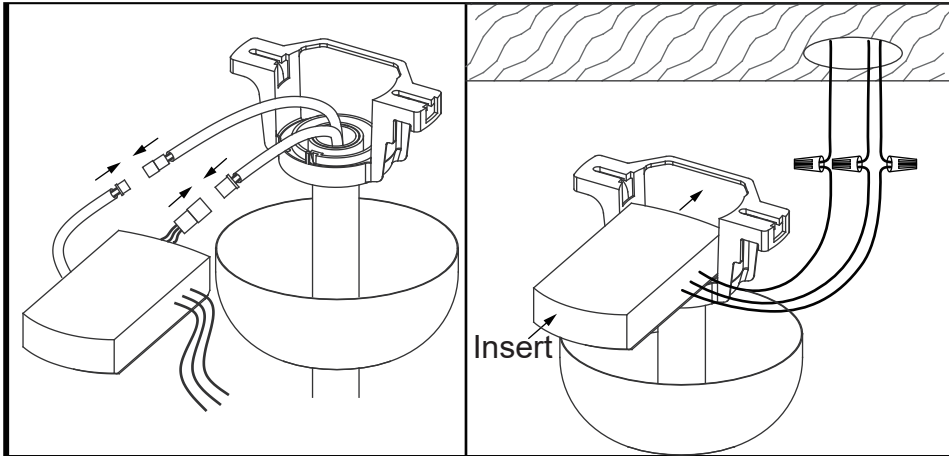
Install mounting bracket to outlet box in ceiling using the screws and washers provided from hardware packs with the outlet box.



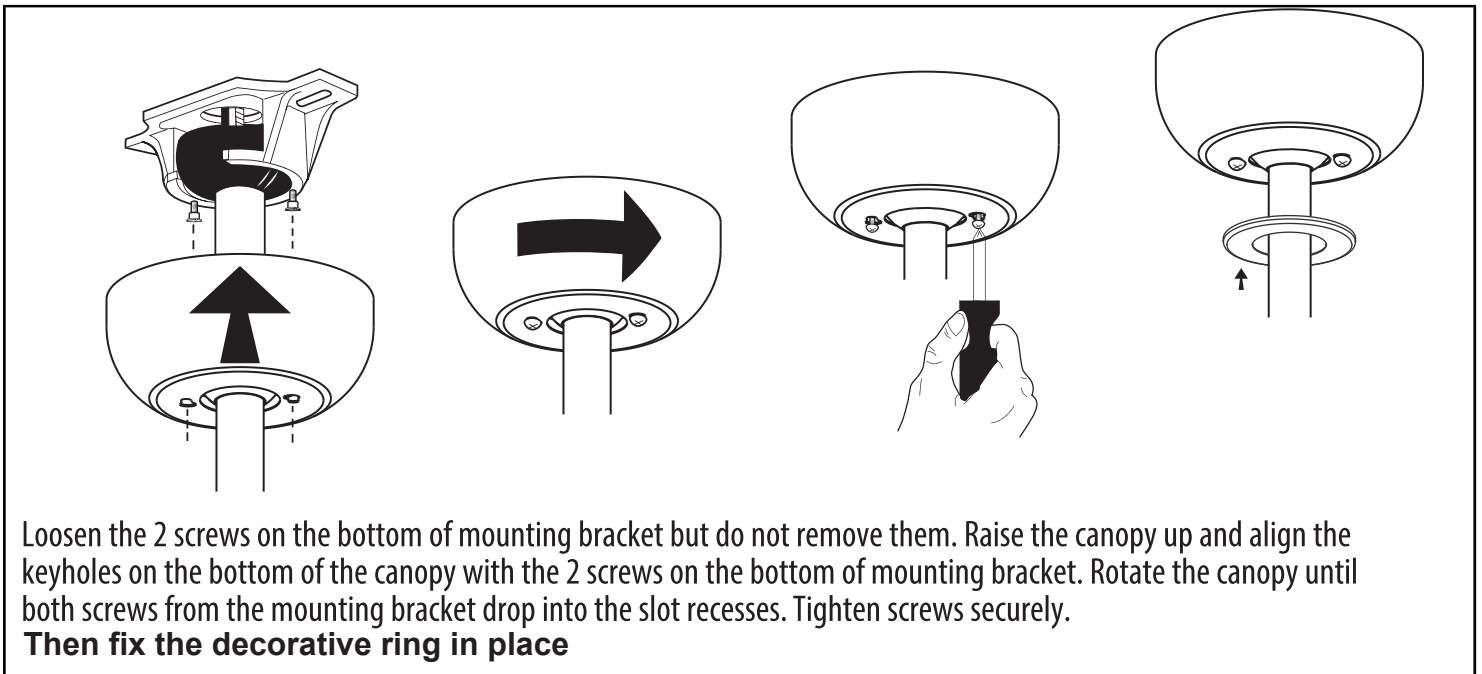
Carefully lift fan assembly onto mounting bracket. Rotate fan until notch on downrod ball (1) engages the ridge on the mounting bracket (2). This will allow for hands free wiring.

With bracket holding fan assembly, make electrical connections using the following step for wiring instructions.

Step 8 RECEIVER INSTALLATION

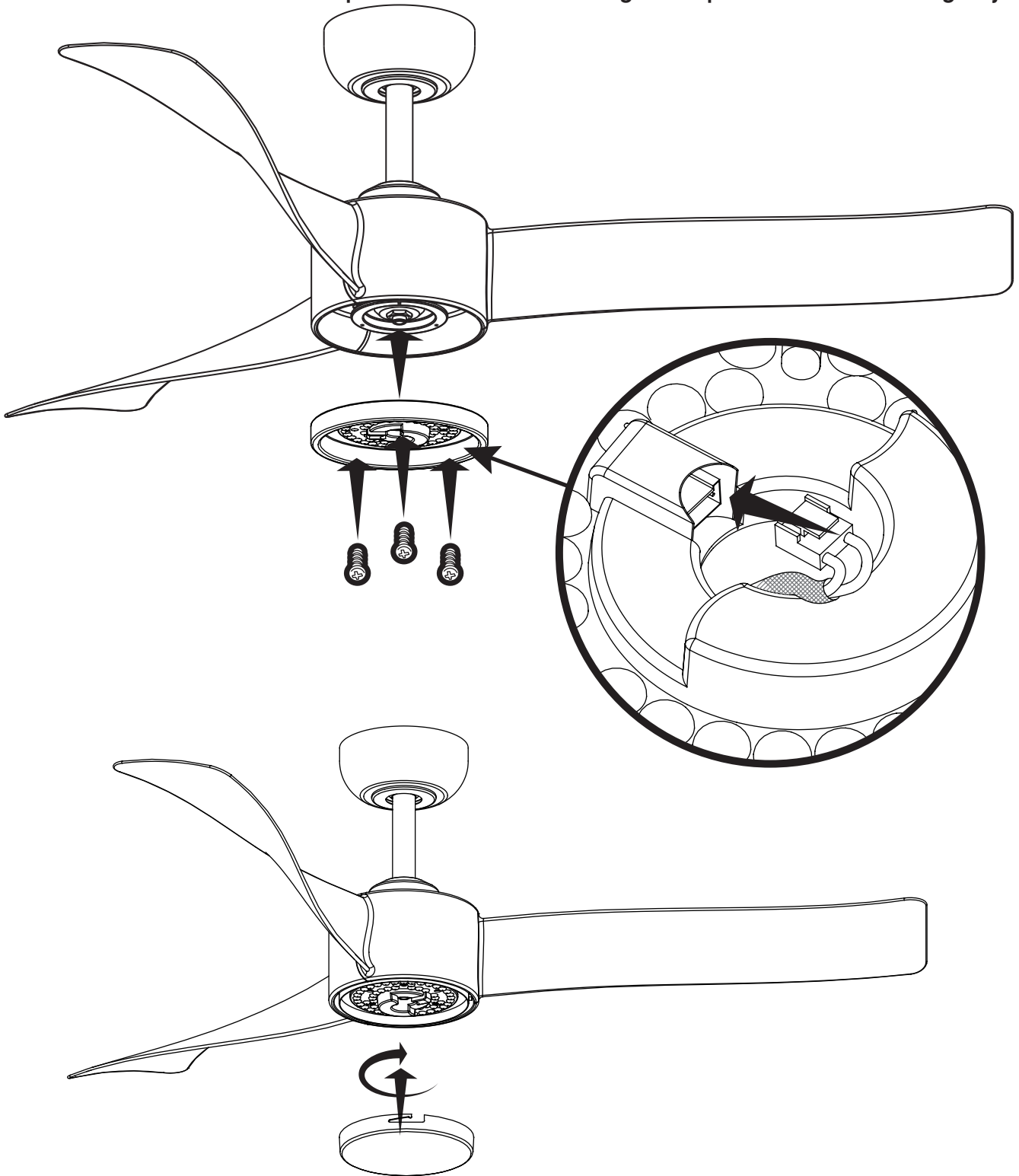


Step 9 SECURE TO CEILING



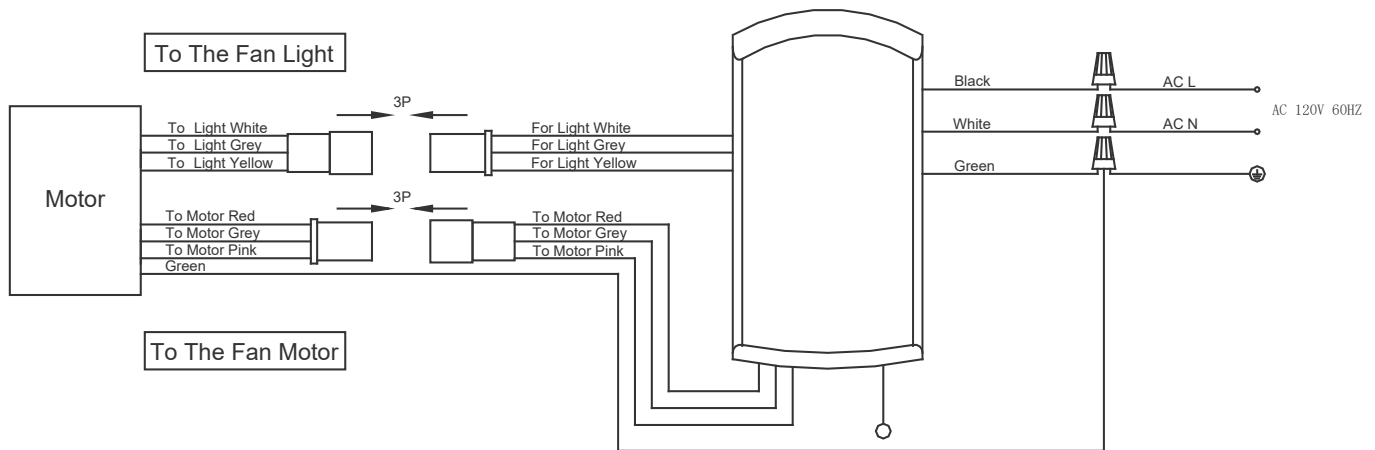
Step 10 LIGHT FIXTURE INSTALLATION

First assemble the light kit plate to the fan motor and twist it tightly, and then assemble the lampshade cover to the light kit plate and twist it tightly.



Step 11 WIRING

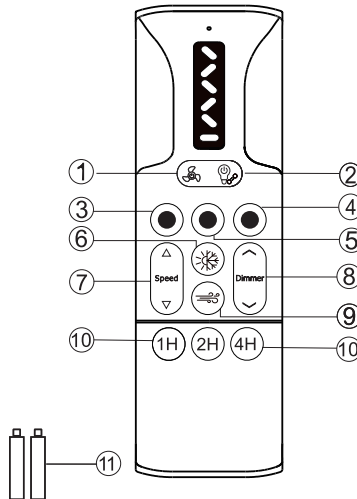
REMOTE CONTROL WIRING (OPTIONAL)



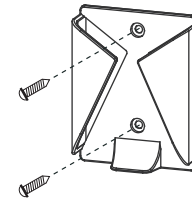
Make wiring connections from the house and the motor to the remote receiver as shown above.

Step 12 TEST FAN

- ① Fan ON/OFF
- ② Light ON/OFF
- ③ Warm light
- ④ Neutral light
- ⑤ White light
- ⑥ Forward/Reverse
- ⑦ Speed of the fan
- ⑧ Brightness control switch
- ⑨ Natural wind
- ⑩ Timer
- ⑪ 1.5V AAA battery X 2pcs (not included)



If needed, install the remote control holder onto a wall or any other suitable flat surface using appropriate fasteners. For wood or other thinner and weaker surfaces, use the provided steel screws and plastic anchors. For reinforced concrete or similar surfaces, use anchor bolts for best results.



KINDLY REMINDERS:

- . If the emitter can not control the fan, learning code matching mode is used between emitter and receiver. Turn "ON" the supply power within 10 seconds and press the emitter's "💡" button for 5 seconds, it can load normally after hearing a long sound "bee", which means learning successfully and it can works normally. (PS: Learning mode is not accepted after turn "ON" the supply power for 10 seconds)
- . When the emitter cannot control the receiver, please check the battery switch touching normally or not, correction of the positive and negative, full or empty of the power.
- . When the emitter cannot control the receiver, please check is there any existence of similar remote controlled products nearby, then check whether they works, because remote controlled product with the same frequency will disturb each other.
- . Low voltage of battery will affect the sensitivity of the emitter and the signal reception accordingly (the indicated light will flash out its warning when the battery get low voltage), must replace if the battery is getting low voltage.
- . Please take out the battery from the emitter when leaving unused for long time.
- . **When installing the fan, the fan ceiling cover don't press the antenna (or other wire), it is easy to breakdown the wire and short-circuited.**

PROBLEM SOLUTION

1. Fan will not start:

1. Check circuit fuses or breakers.
2. Check all electrical connections to insure proper contact. **CAUTION:** Make sure the main power is OFF when checking any electrical connection.

2. Fan sounds noisy:

1. Make sure all motor housing screws are snug.
2. Make sure the screws that attach the fan blade brackets to the motor are tight.
3. Make sure wire nut connections are not rubbing against each other or the interior wall of the switch housing. **CAUTION:** Make sure main power is off.
4. Allow a 24-hour "breaking-in" period. Most noise associated with a new fan disappear during this time.
5. If using an optional light kit, make sure the screws securing the glassware are tight. Make sure the light bulbs are not touching any other component.

3. Fan wobble:

1. Check that all blade and blade arm screws are secure.
2. Most fan wobbling problems are caused by blade levels unequal. Check this level by selecting a point on the ceiling above the tip of one of the blades.
3. Measure this distance. Rotate the fan until the next blade is positioned for measurement. Repeat for each blade. This distance deviation should be equal within 1/8".
4. Use the enclosed Blade Balancing Kit if the blade wobble is still noticeable. If the blade wobble is still noticeable, interchanging two adjacent (side by side) blades can redistribute the weight and possibly result in smoother operation.



Made in China