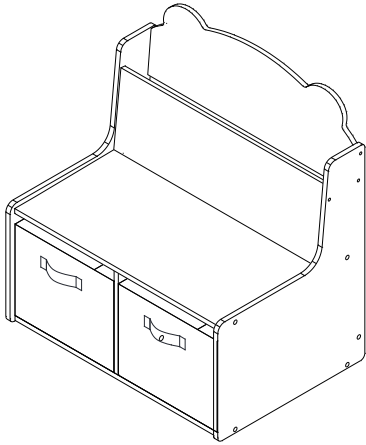
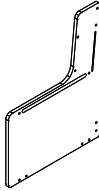
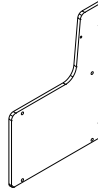
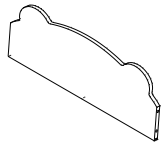
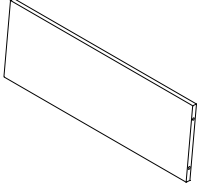
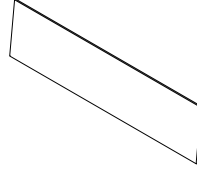
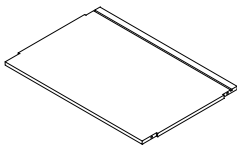
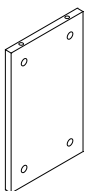
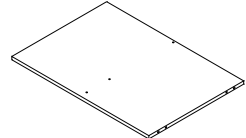
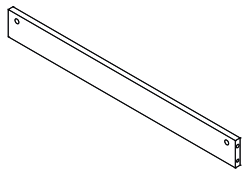
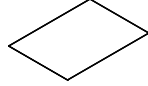
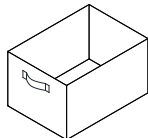
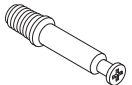

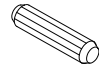
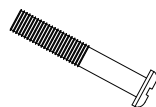

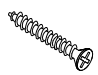


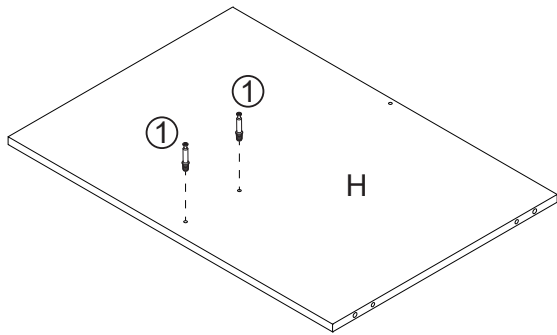
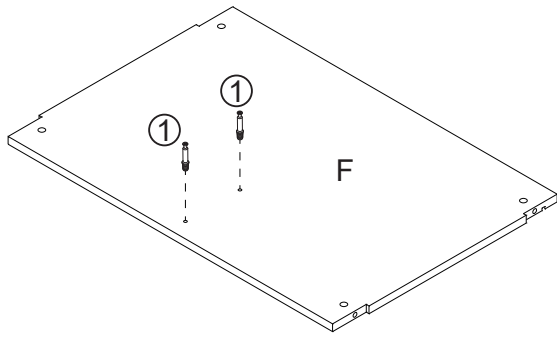
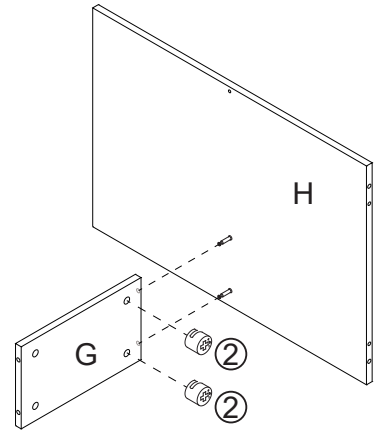
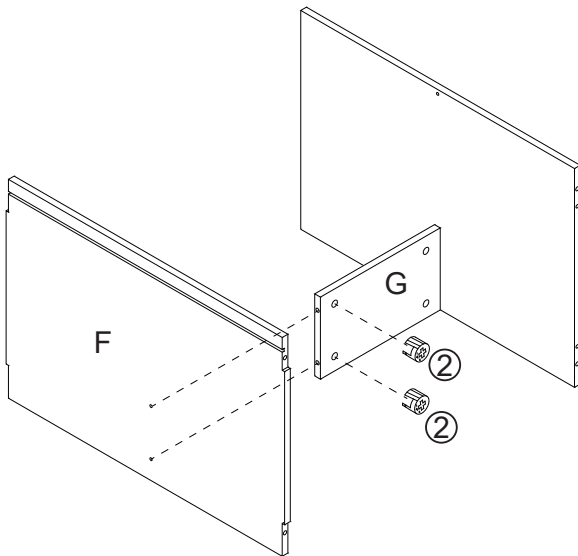
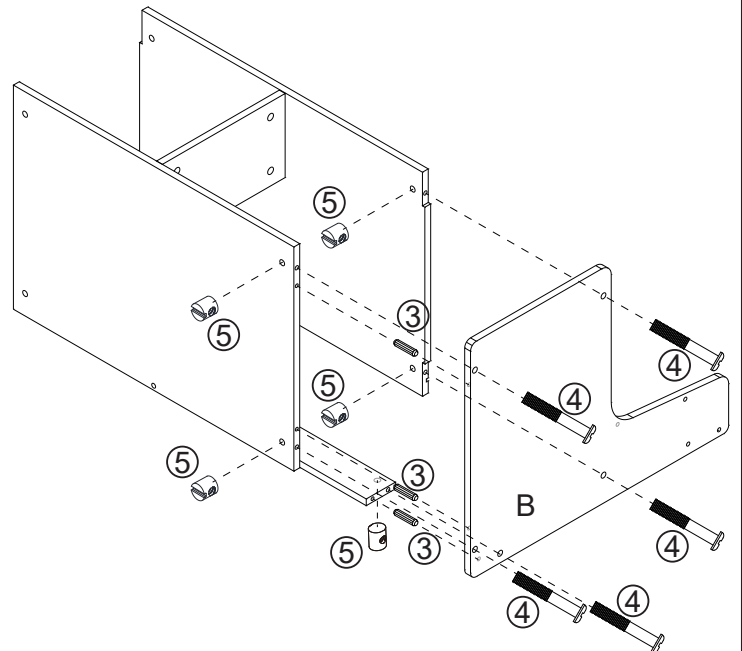
# ASSEMBLY INSTRUCTION

	A x1PC	B x1PC	C x1PC
			
	D x1PC	E x1PC	F x1PC
			

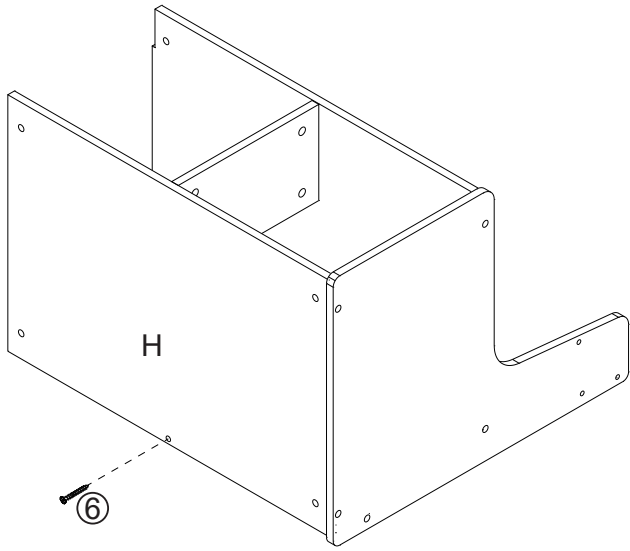
G x1PC	H x1PC	I x1PC	J x2PC	K x2PC
				

① x4PCS	② x4PCS	③ x8PCS	④ x16PCS	⑤ x16PCS	⑥ x1PCS
					

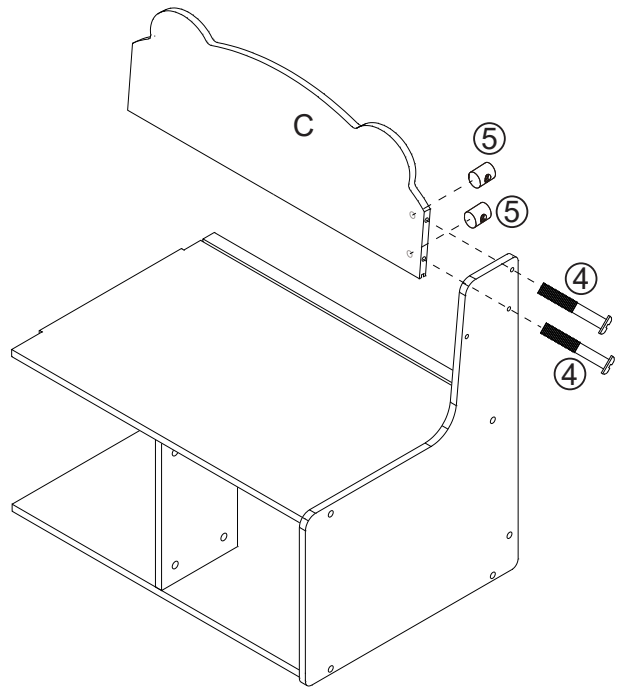


**1****2****3****4**

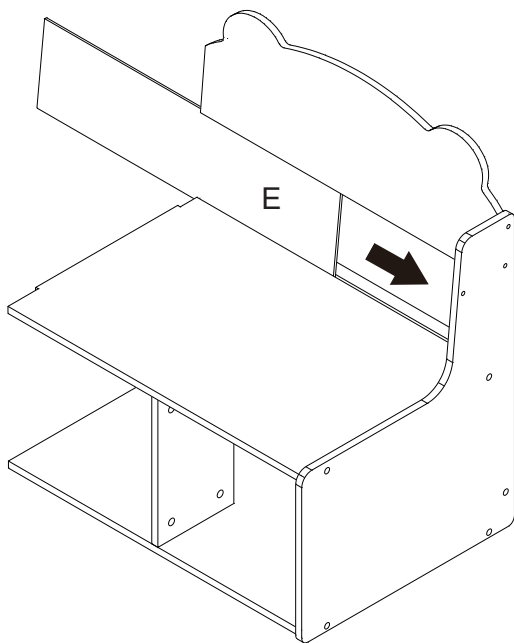
**5**



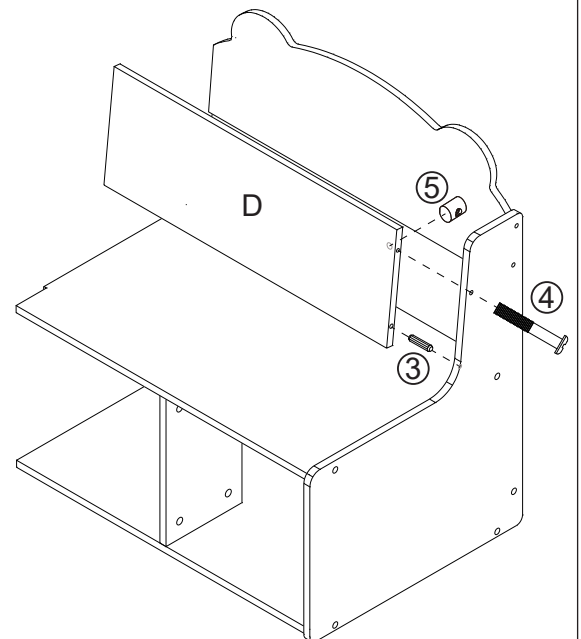
**6**



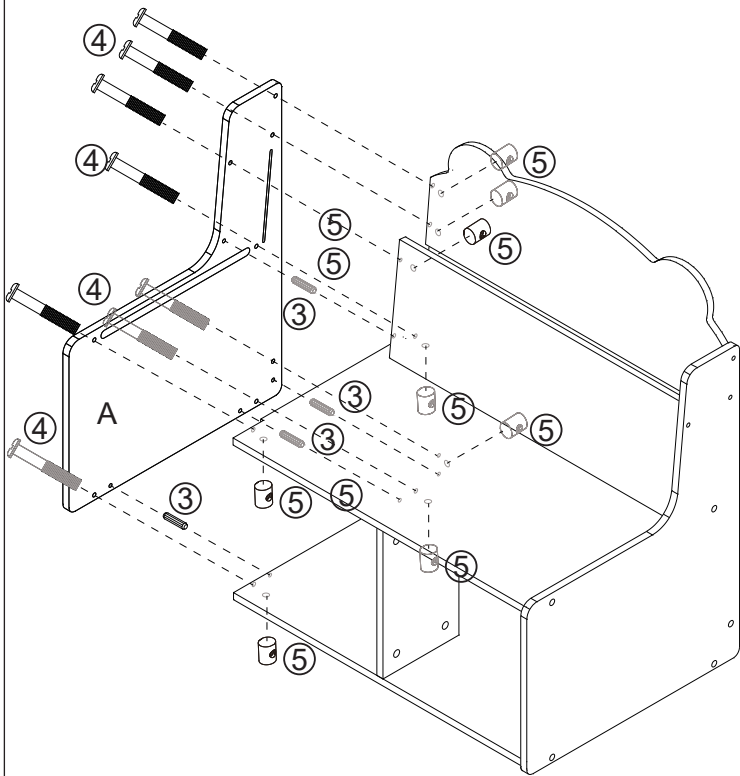
**7**



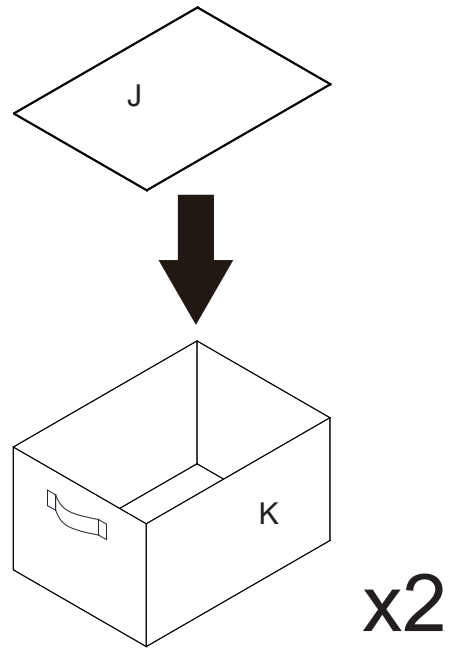
**8**



9



10



11

