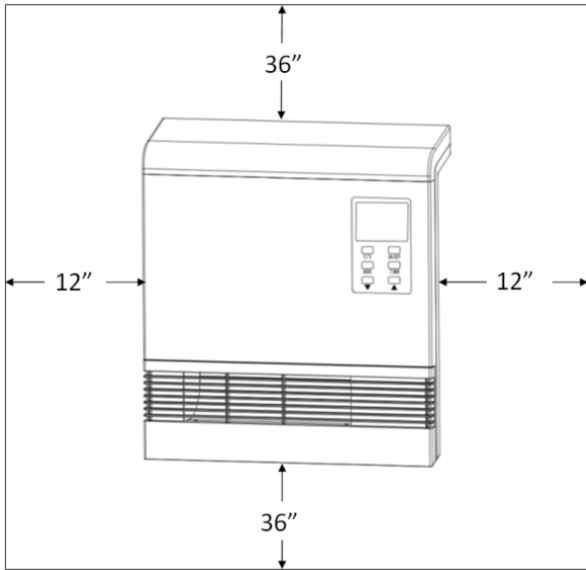


INSTALLATION



MINIMUM CLEARANCES TO COMBUSTIBLES				
LEFT/RIGHT	TOP	BOTTOM	FRONT	REAR
*12 Inches	36 Inches	36 Inches	36 Inches	0 Inches
Top clearance is from top of the heater to ceiling or other combustible material				
Bottom clearance is from the bottom of heater to surface of carpet, tile or other combustible material.				
* A sidewall must be at least 18 Inches away from the side of heater.				
-Always maintain a 36 Inch clearance from any furniture, draperies or other combustible material.				



WARNING:

If the heater is being installed in a residential garage, it must be secured firmly to the wall, a minimum of 36 inches (457mm) above the floor. The heater must be located so that it is protected against any possibility of damage by a moving vehicle, etc.

Raising the heater will reduce BUT NOT eliminate the possibility of lighting the vapor of any flammable liquids which may be improperly stored or accidentally spilled. If the smell of gasoline is present, do not operate this heater until the area has been properly ventilated.

INSTALLATION

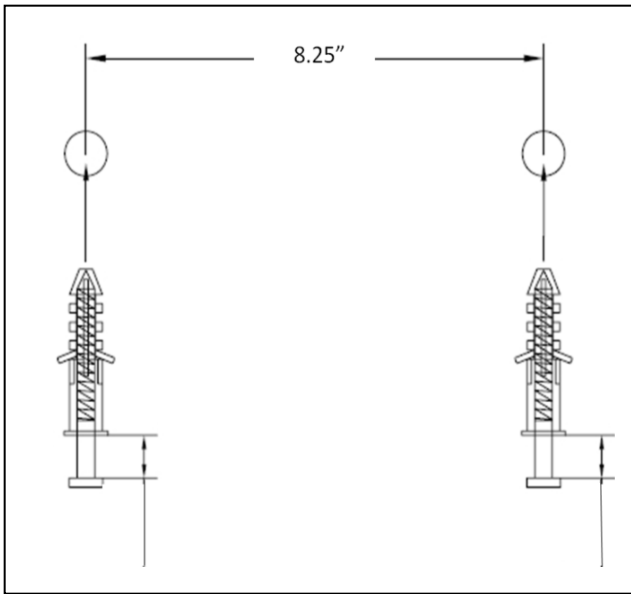


Figure 1

Step 1 (Figure 1)

DRY WALL: Using the screws and wall anchors provided install into drywall as shown. Check to insure screws are secure.

STUD WALL: Using the screws provided install into drywall as shown. Check to insure screws are secure.

CONCRETE WALL: Drill $\frac{1}{4}$ inch holes, insert # 12 wall anchors (not included) and secure to wall with #12 x 3 inch screws (not included). Check to insure screws are secure.

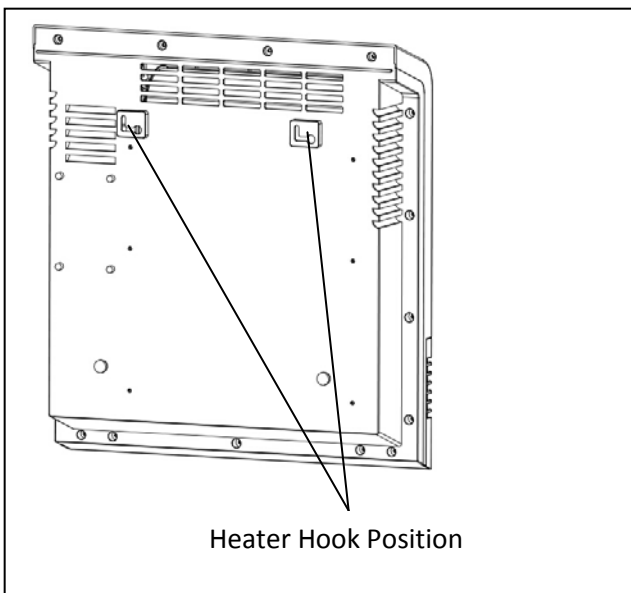


Figure 2

Step 2 (Figure 2)

Hook the heater into position. Check to insure that the mounting hook holes have securely attached to the screws installed in step 1.