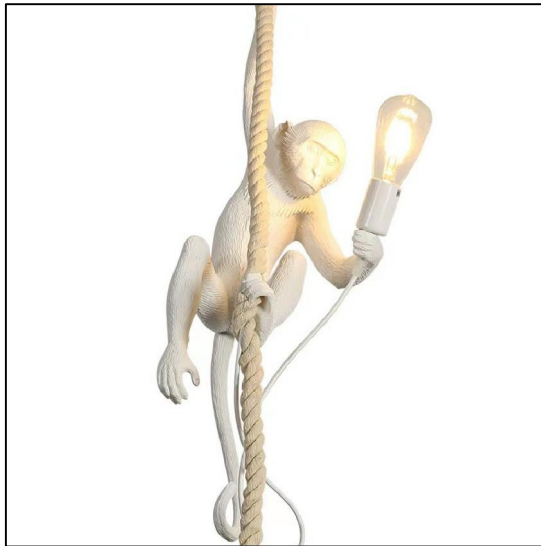
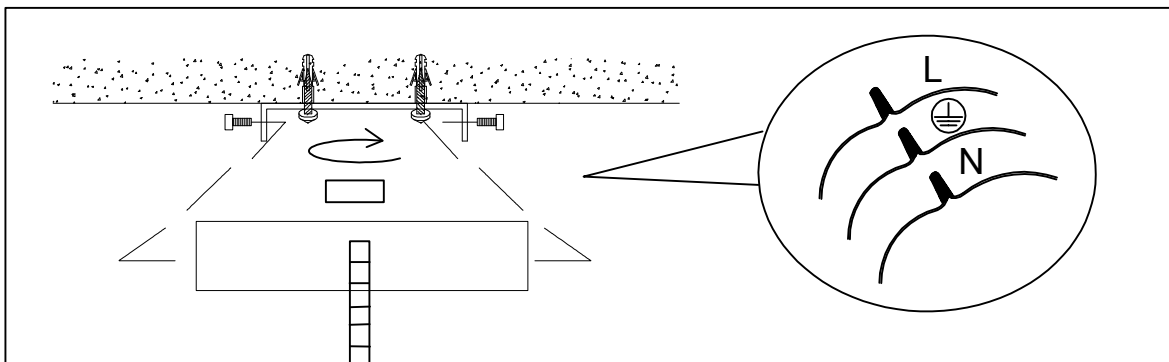


# Installation step

## Note:

1. Keep it clean during installation to avoid scratches on the surface of lamps and wires.
2. Do not install on the wall, the environment should be ventilated and dry. It should be installed by a professional electrician.
3. The lamp shall not be close to corrosive chemicals and gases such as acids and alkalis. It shall not be cleaned with water and can only be wiped with a clean soft cloth.
4. Cut off the power supply when cleaning lamps and changing bulbs.



Black wires: Live line  
Blue wires: Null line  
White wires: Ground line

## Installation steps:

1. The hanging board is fixed in the designated position of the wall.
2. The lamp body shall be assembled as shown in the drawing. After checking that there is no error, connect the lamp head and the main power line.
3. Fix the lamp chassis on the hanging plate, and then fix it firmly with screws.
4. After making sure that the installation is correct, the light source can be installed before the test is switched on.