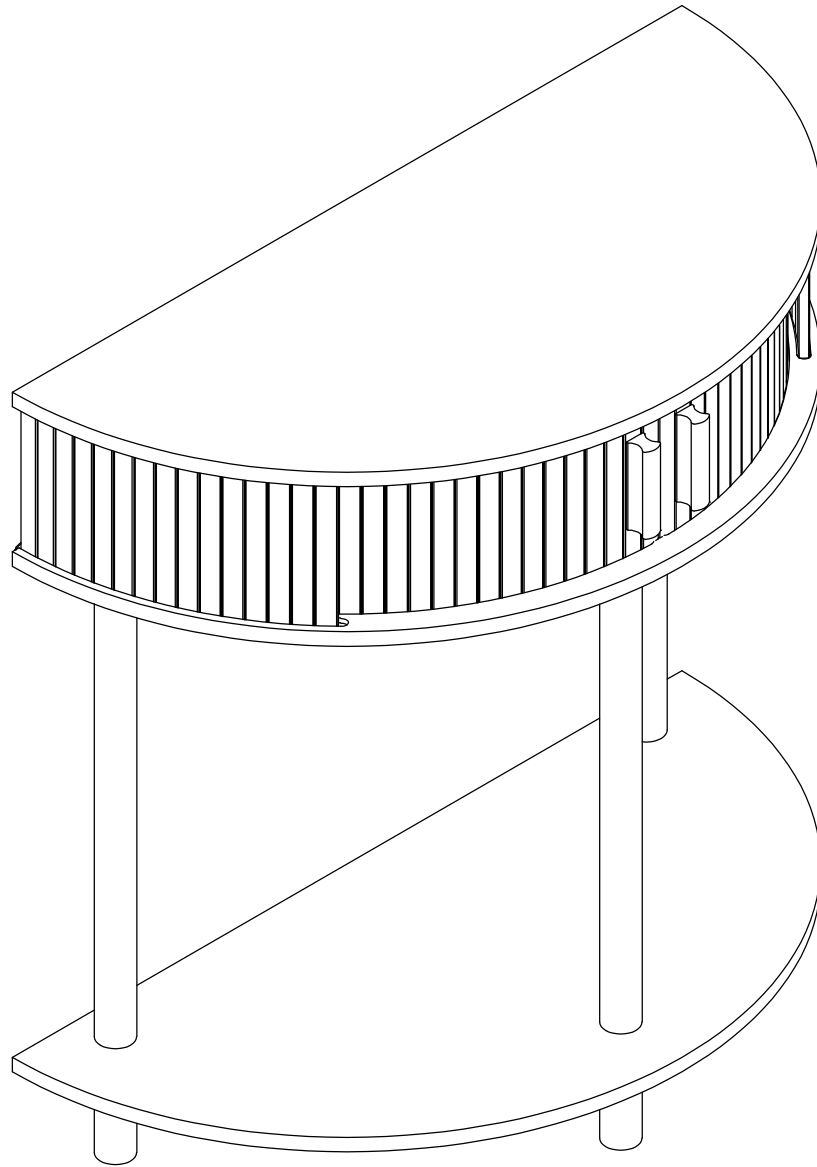


Installation Instruction



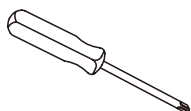
Assembling

Estimated time for assembly



What you need

- Use the packaging carton as a working surface to prevent product damage during assembly
- Phillips head screwdriver



Weight Limitation

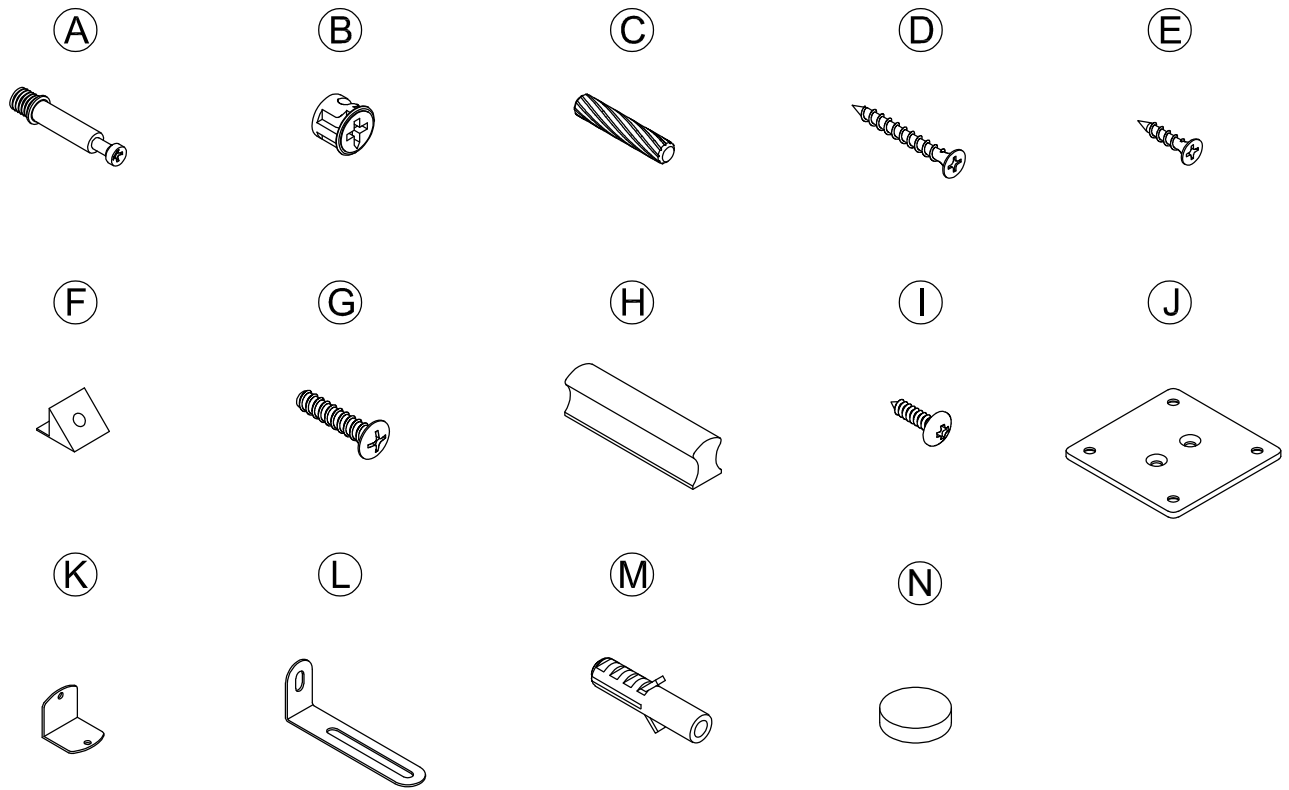


2 PERSONS

What's included

Code	Description	Qty
A	Cam Bolt M6X35MM	4
B	Cam Lock 15X10MM	4
C	Wooden Dowel M6X30MM	4
D	Screw M4X35MM	12
E	Screw M3 X14MM	4
F	Plastic Corner Support	4
G	Bolt M4X16MM	4
H	Handle	2
I	Screw M4X14MM	16
J	Foot Metal Pin	3
K	Small Metal Plate	2
L	Large Metal Plate	2
M	Anchor M6×30mm	2
N	Foot Pad	3

The Hardwares



IMPORTANT:

1. Do not tighten bolts / screws completely until all bolts / screws are lined up and inserted into holes.
2. Do not over tighten screws and bolts to avoid stripping.
3. Please use hand tools to assemble this product. Do not use power tools.
4. Must need 2 people to assemble this product.

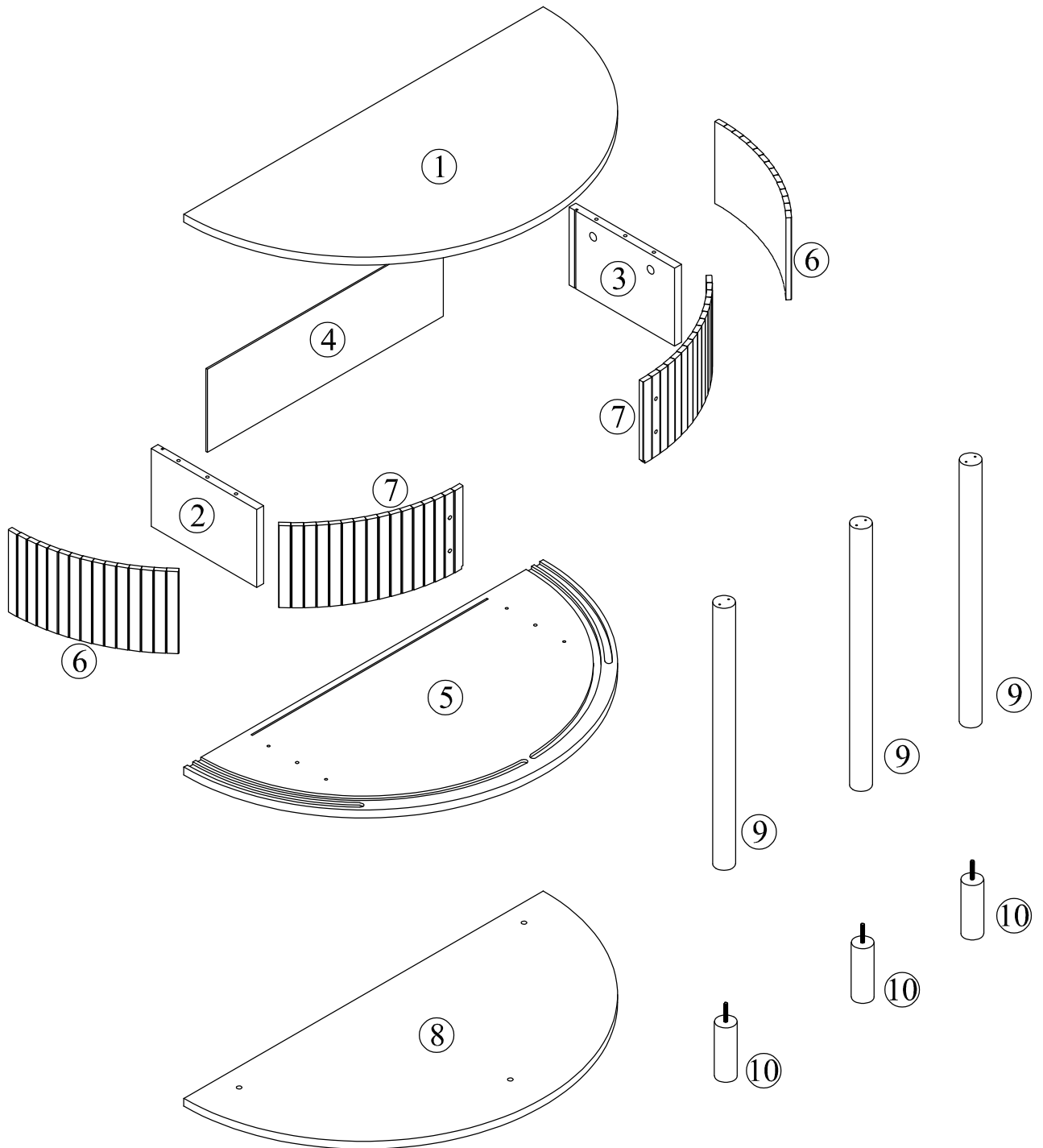


2 PERSONS

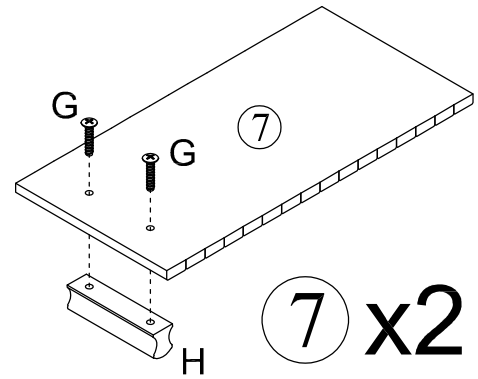
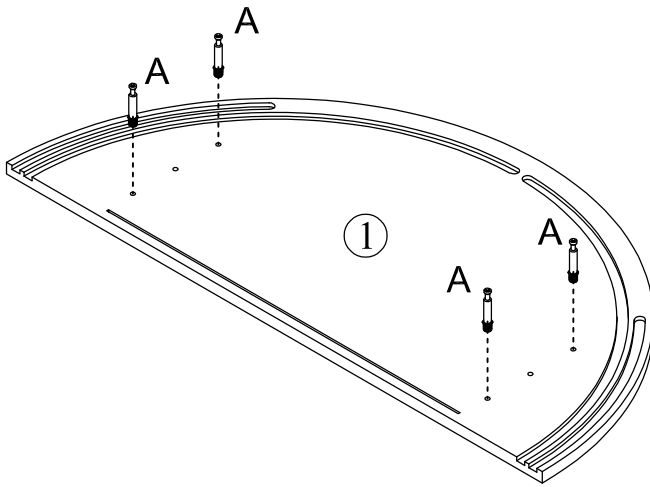
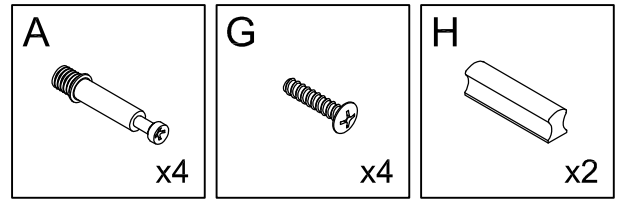
Included Accessories

Code	Description	Qty
1	Cabinet Top	1
2	Left Side Panel	1
3	Right Side Panel	1
4	Back Panel	1
5	Bottom Panel	1
6	Outside Door	2
7	Inner Door	2
8	Lower Shelf	1
9	Long Foot	3
10	Short Foot	3

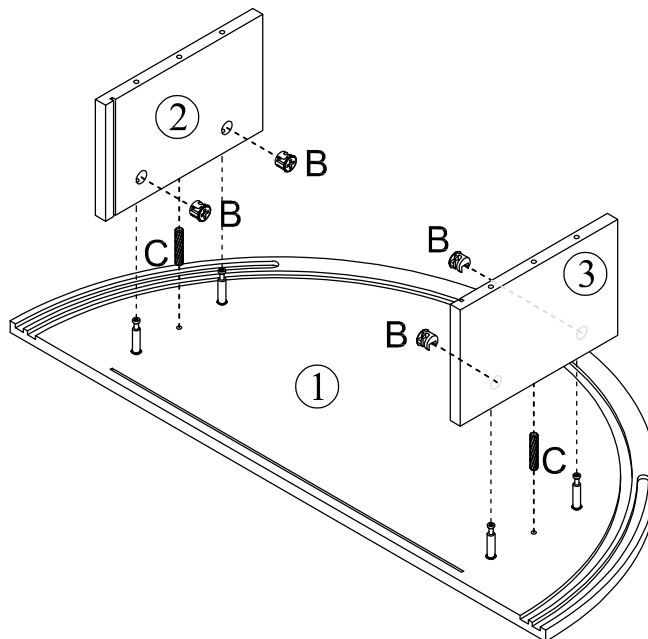
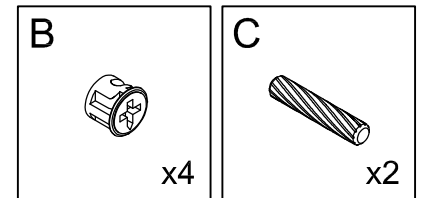
The Accessoriess



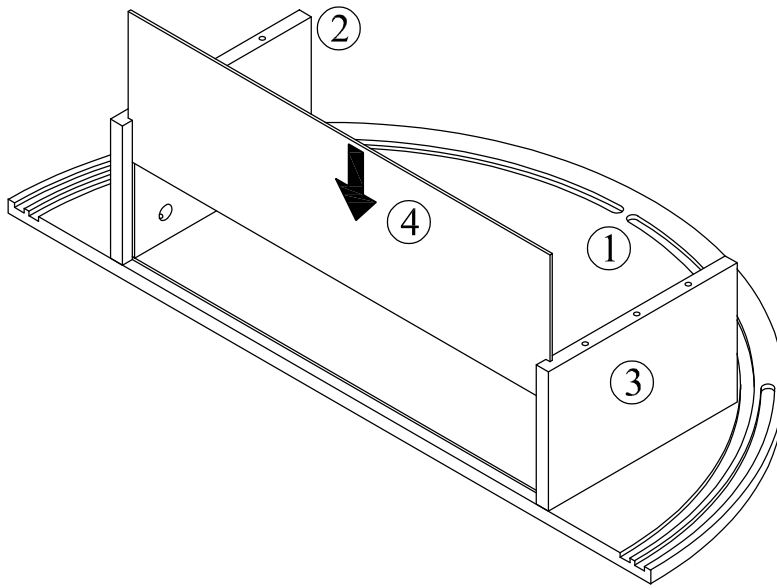
STEP 1



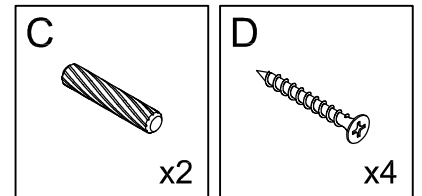
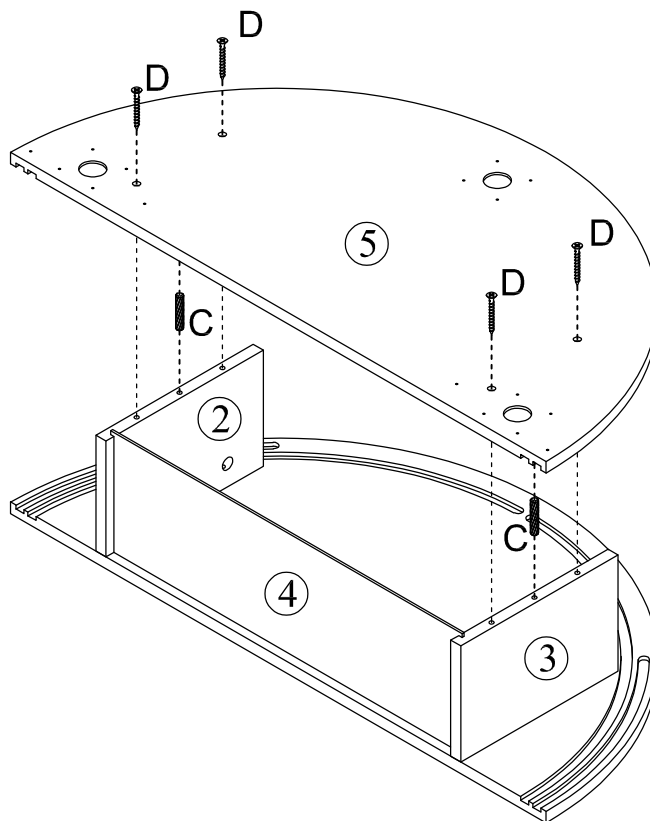
STEP 2



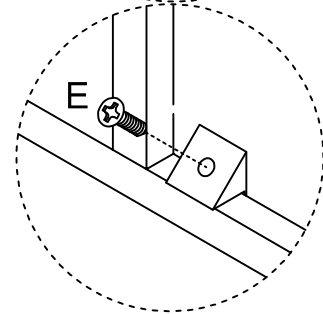
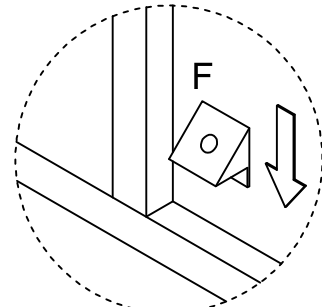
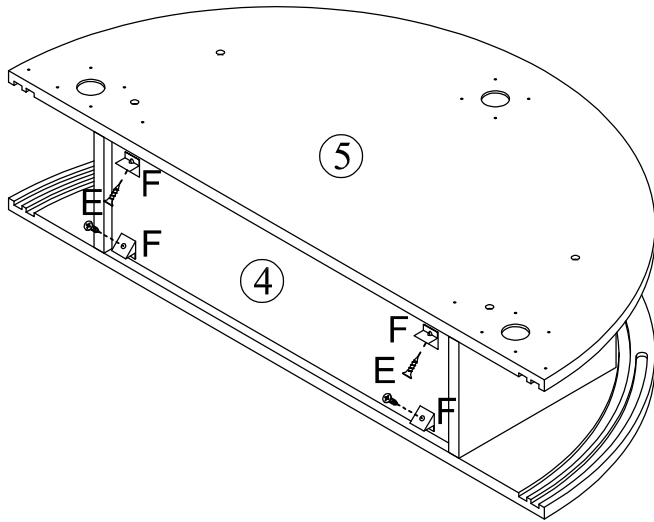
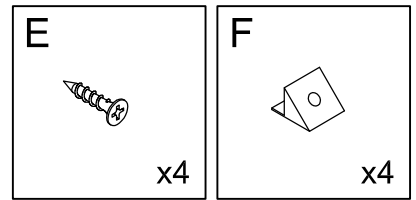
STEP 3



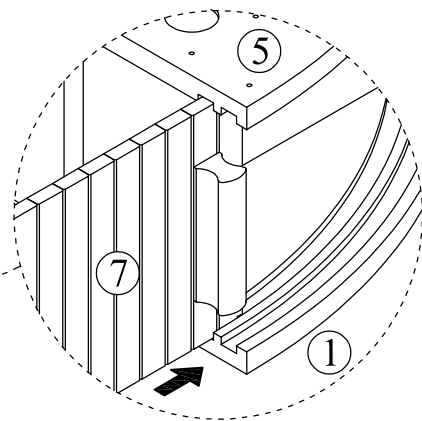
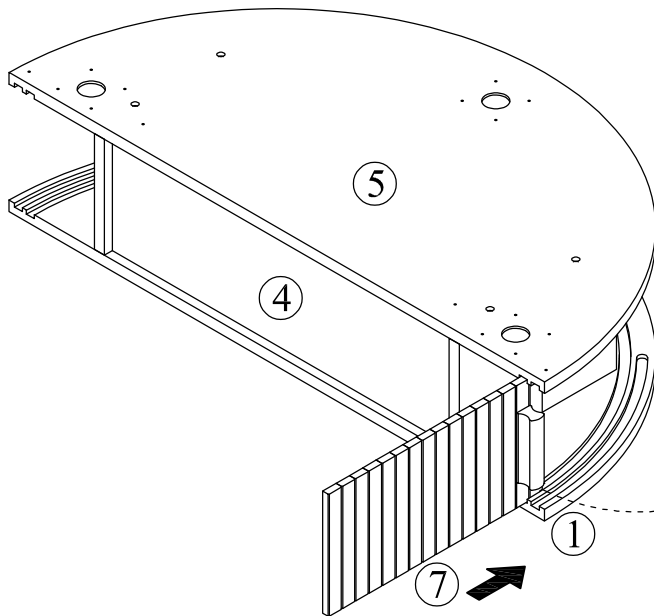
STEP 4



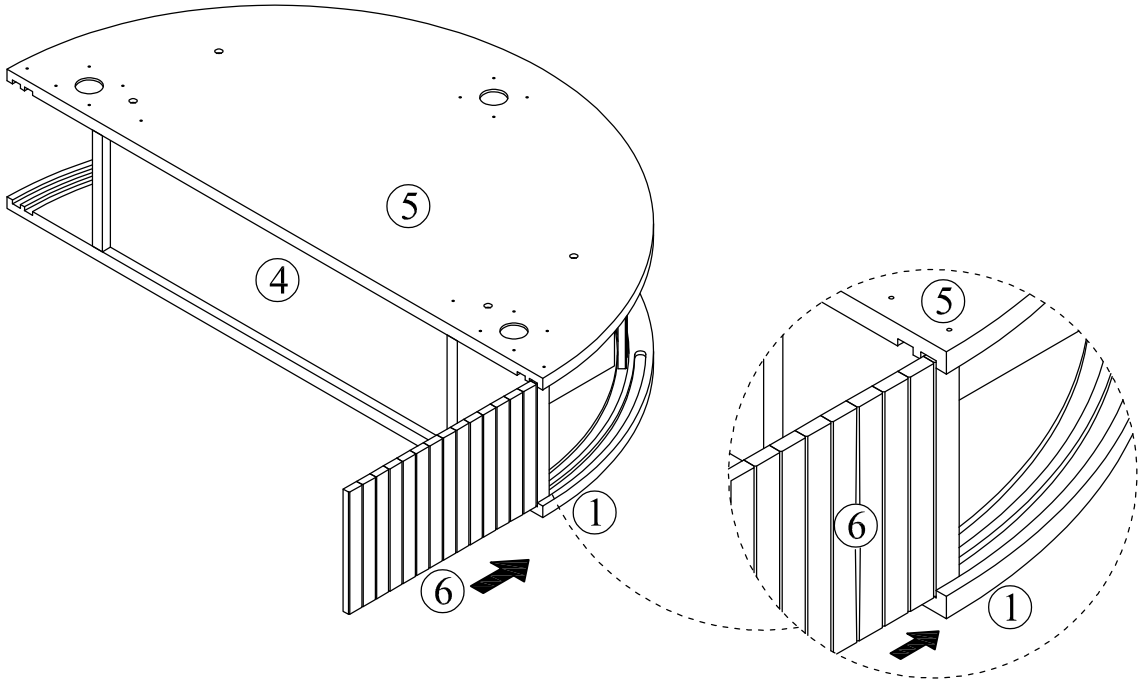
STEP 5



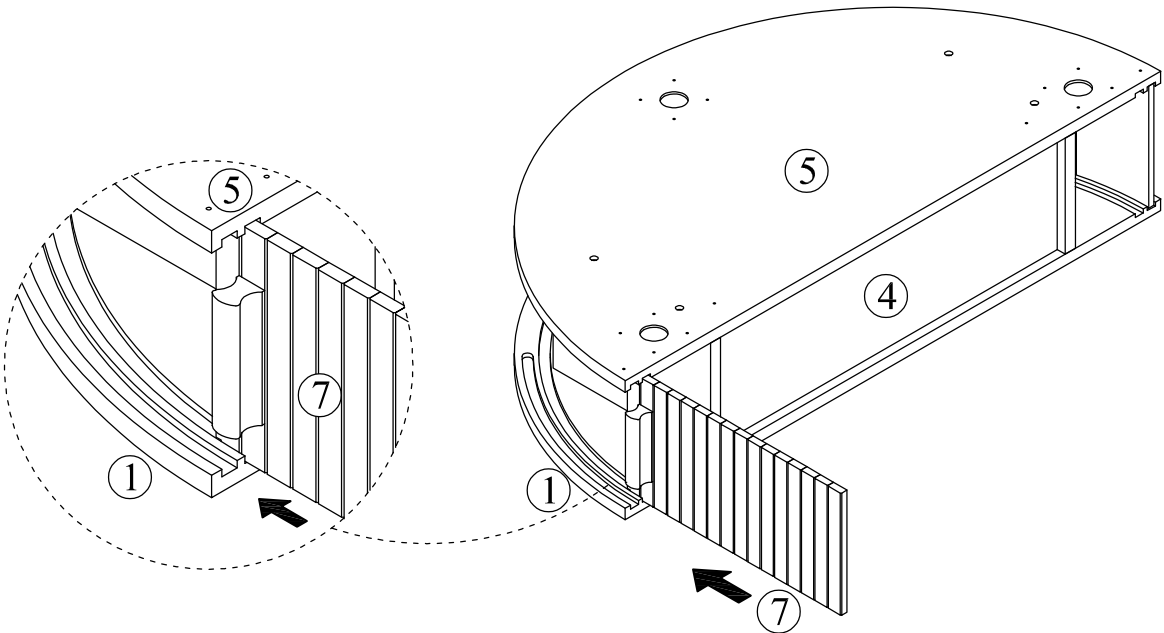
STEP 6



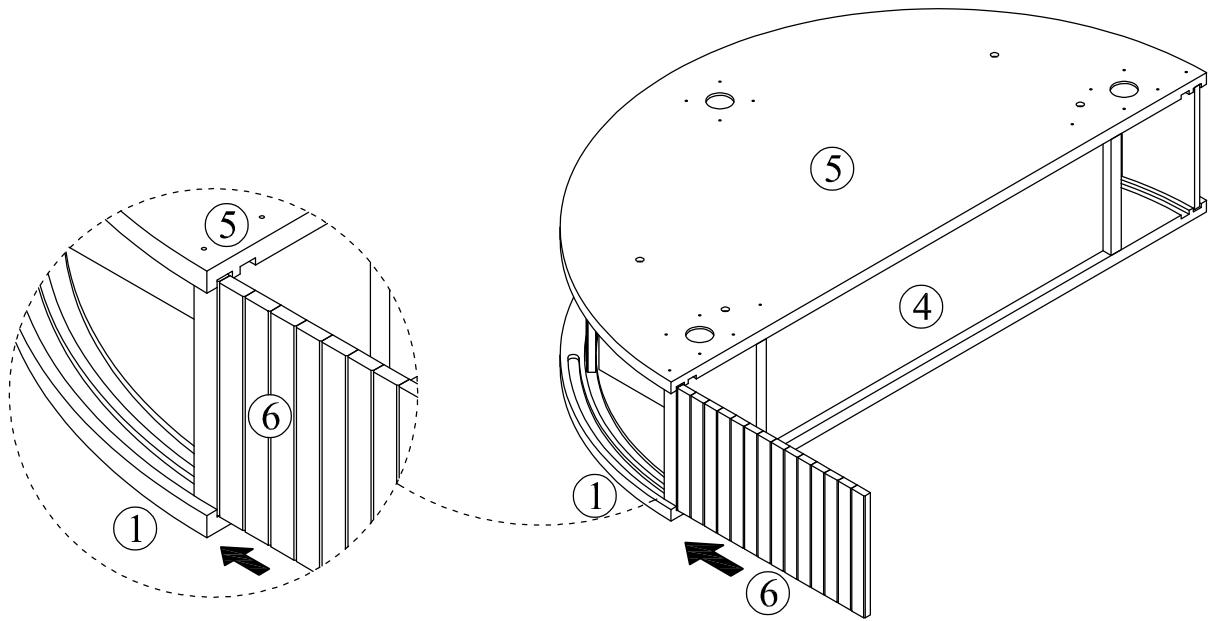
STEP 7



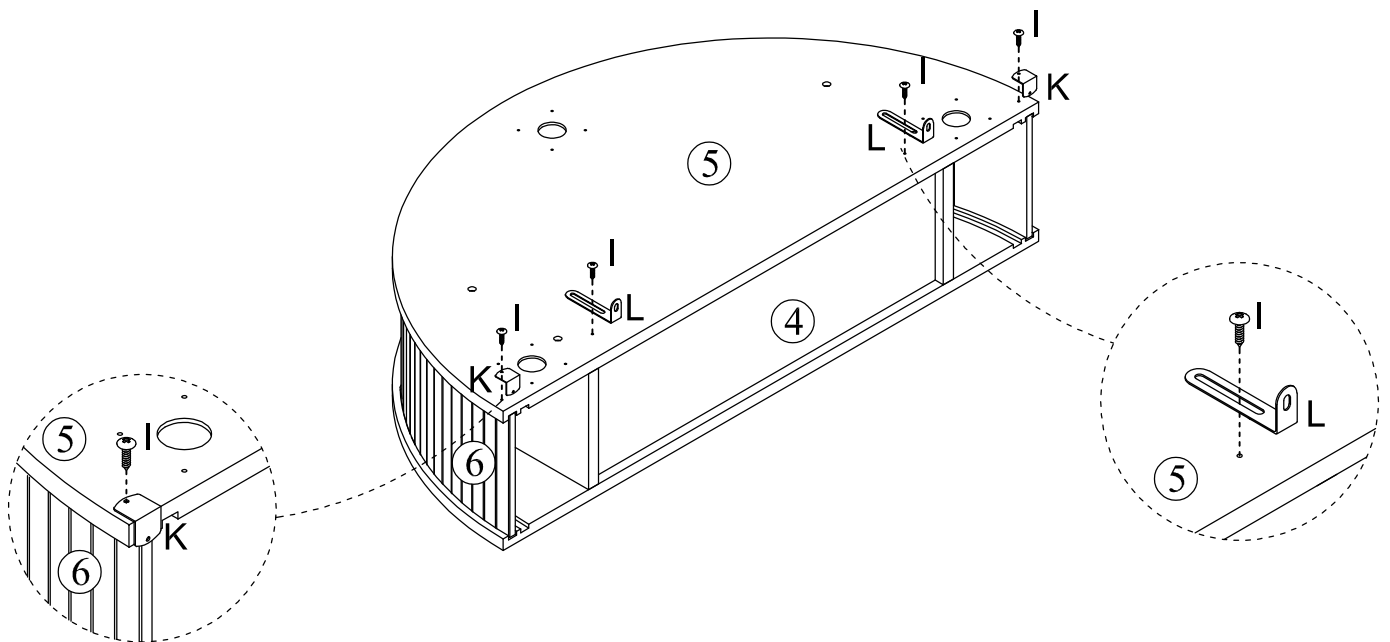
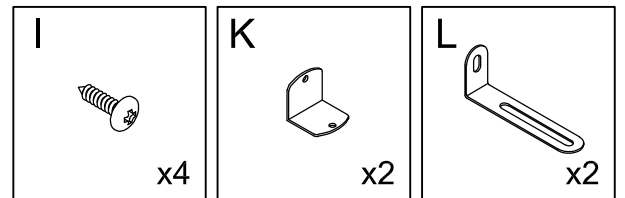
STEP 8



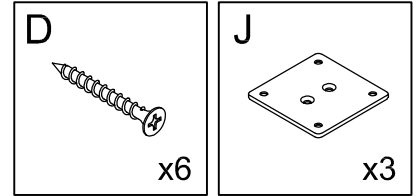
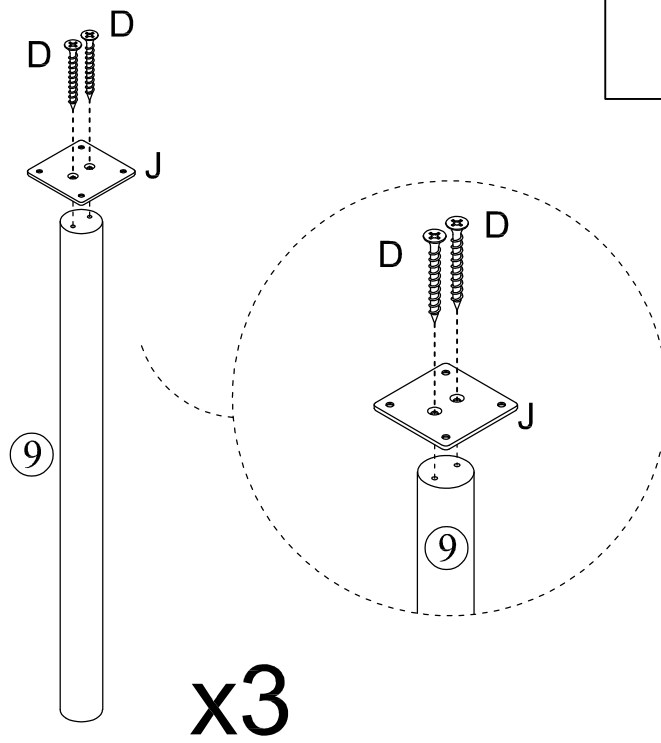
STEP 9



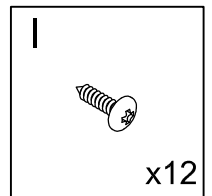
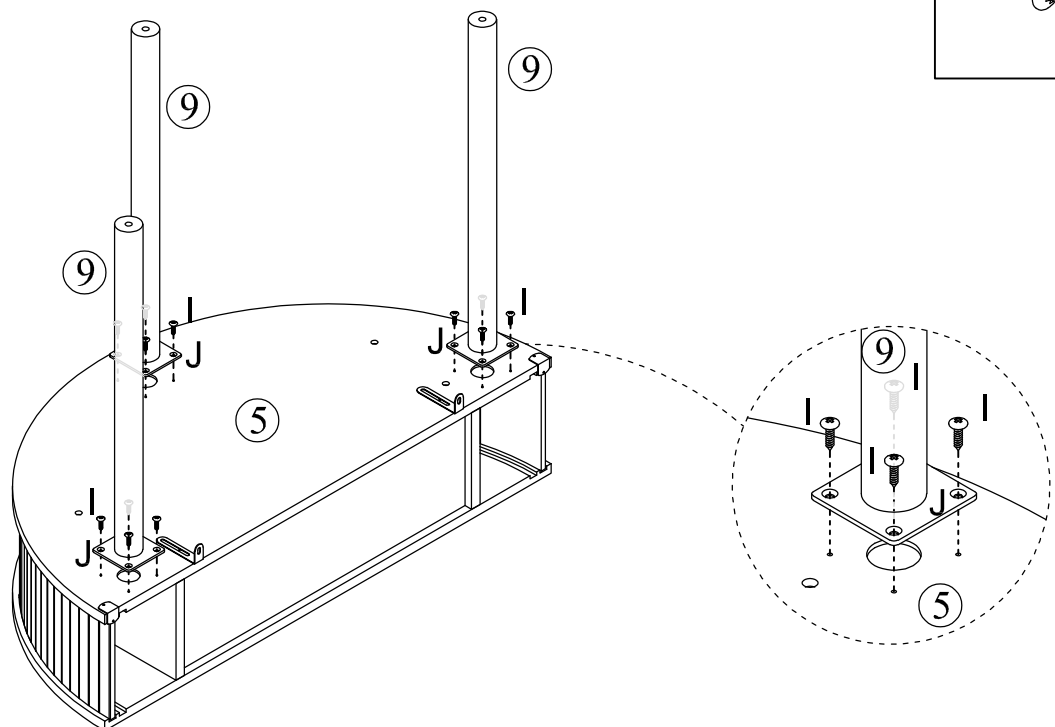
STEP 10



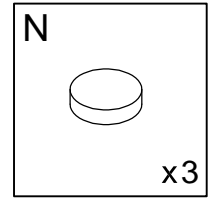
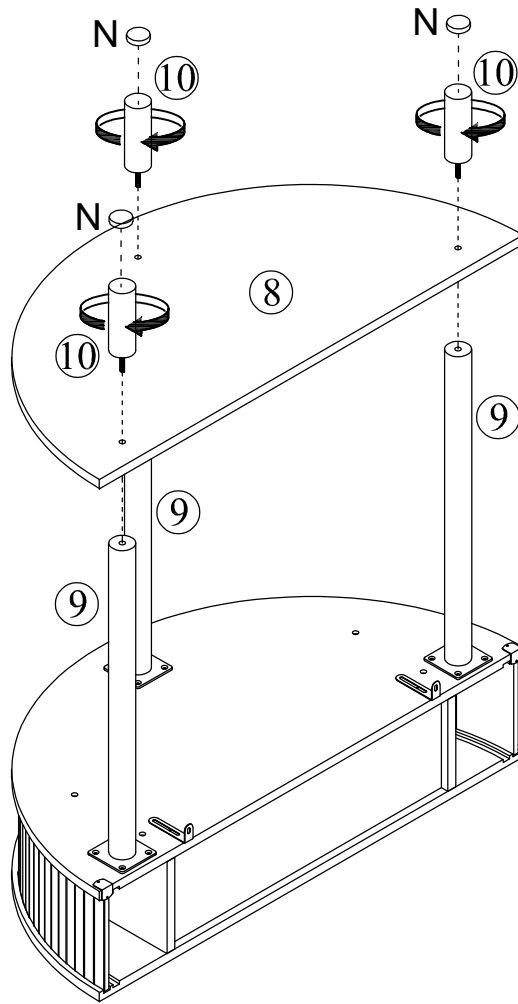
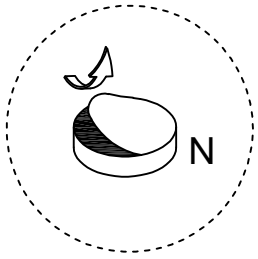
STEP 11



STEP 12



STEP 13



STEP 14

