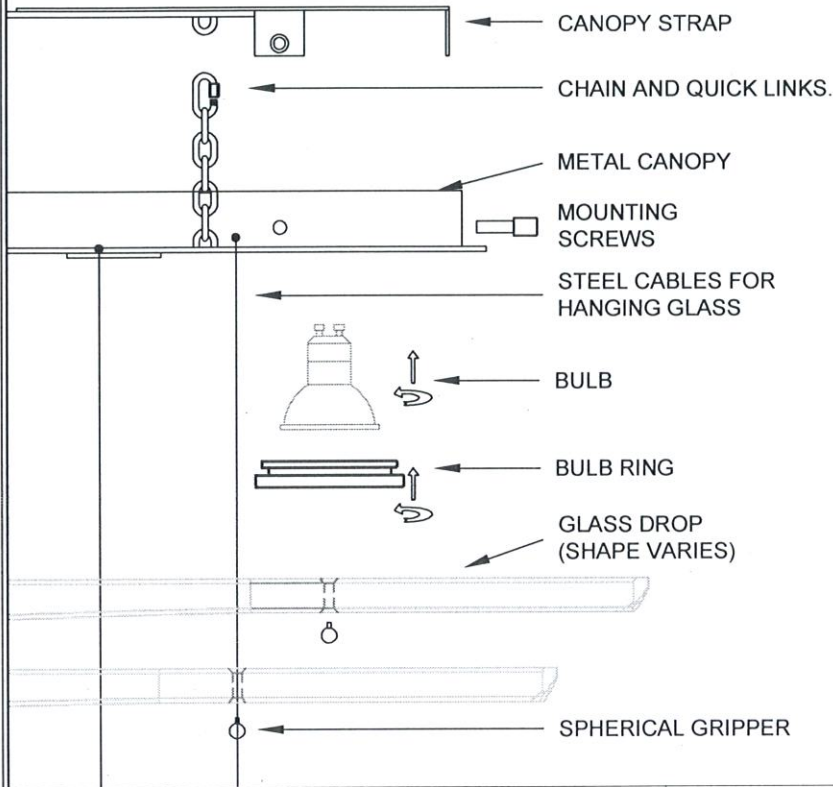


# INSTALLATION INSTRUCTION

**WARNING:**

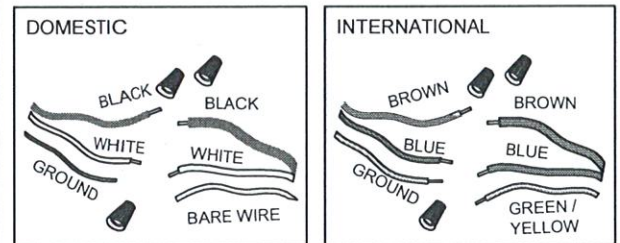
BEFORE BEGINNING INSTALLATION READ INSTRUCTION CAREFULLY AND TURN ELECTRICAL POWER OFF.  
 THIS FIXTURE IS INTENDED FOR INDOOR USE ONLY- DRY LOCATION.  
 FIXTURE SHALL BE INSTALLED BY A QUALIFIED ELECTRICIAN.  
 TO REDUCE THE RISK OF FIRE OR INJURY:  
 DO NOT TOUCH HOT BULB.  
 DO NOT TOUCH HOT LENS, GUARD, OR ENCLOSURES.  
 WHEN REPLACING LIGHT BULBS TURN OFF POWER, ALLOW COOLING BEFORE REPLACING BULB.  
 KEEP LAMP AWAY FROM MATERIALS THAT MAY BURN.  
 ONLY HANG THE GLASS DROPS PROVIDED WITH THIS FIXTURE.

**FIGURE 1**

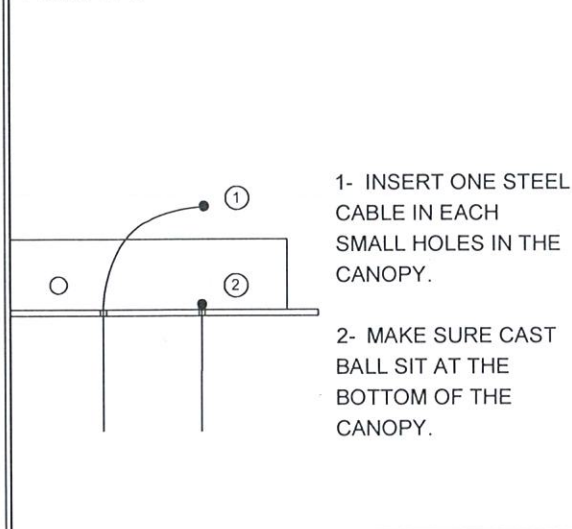


1. ATTACH METAL STRAP TO ELECTRICAL BOX AND INSTALL INDEPENDENT MOUNTING KIT, REFERENCE INSTRUCTION 00791074
2. HANG CANOPY FROM METAL STRAP BY THE QUICK LINKS USING CANOPY CHAINS AS SHOWN.
3. PERFORM ELECTRICAL CONNECTION.
4. INSERT ALL STEEL CABLES FROM THE INSIDE OF OUT OF THE CANOPY THRU THE SMALL HOLES.
5. LIFT CANOPY AND USE SCREWS TO SECURE CANOPY.
6. INSTALL LIGHT BULBS AND RINGS.
7. TO INSTALL CRYSTALS REFERENCE INCLUDED INSTRUCTION 00791405.

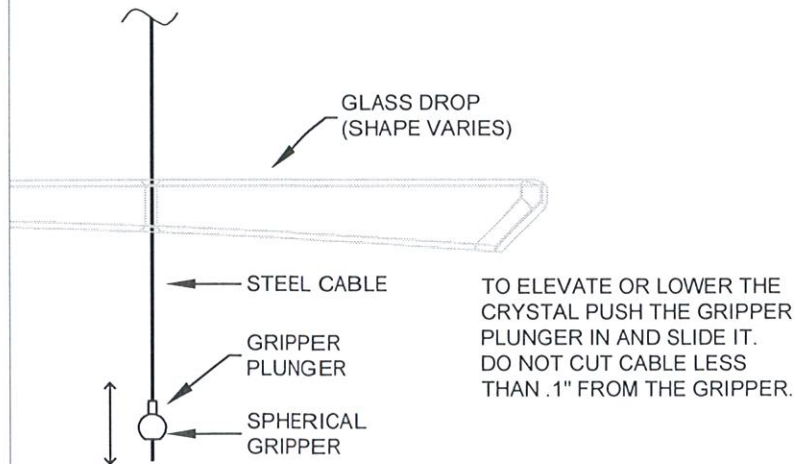
**FIGURE 2**



**FIGURE 3**



**FIGURE 4**



STYLE(S) #: 894840, 895140, 895640, 895840

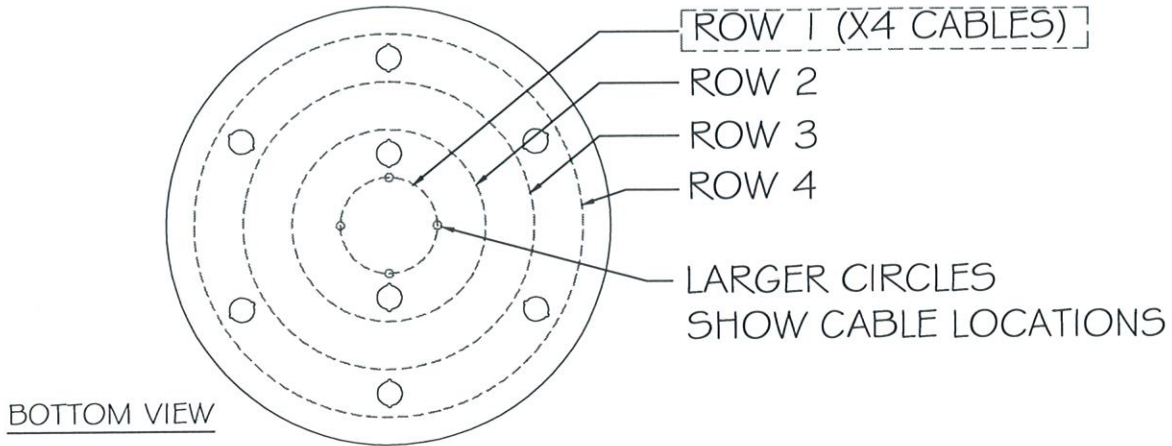


This drawing, specifications and the product depicted are the exclusive property of Fine Art Handcrafted Lighting®. In compliance with US copyright and patent requirements, notice is hereby given that this document and the product depicted shall not be copied, altered or used in any manner without the expressed written consent of Fine Art Handcrafted Lighting®.

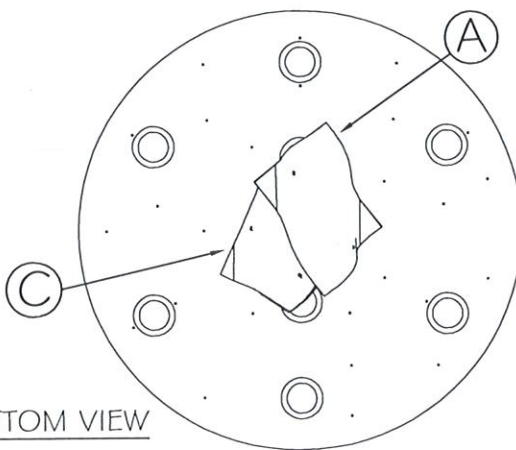
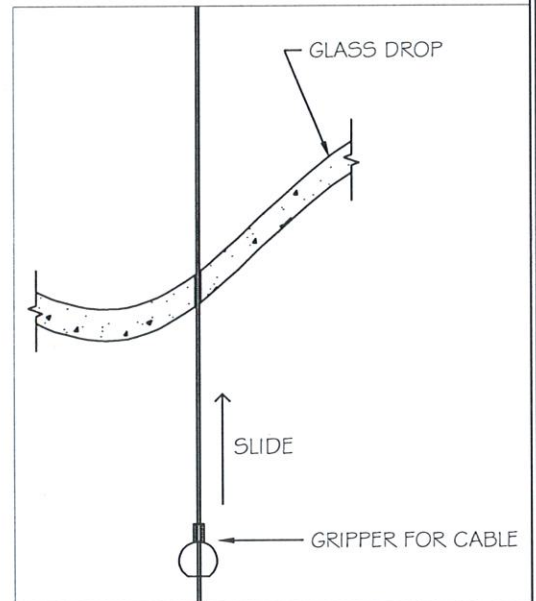
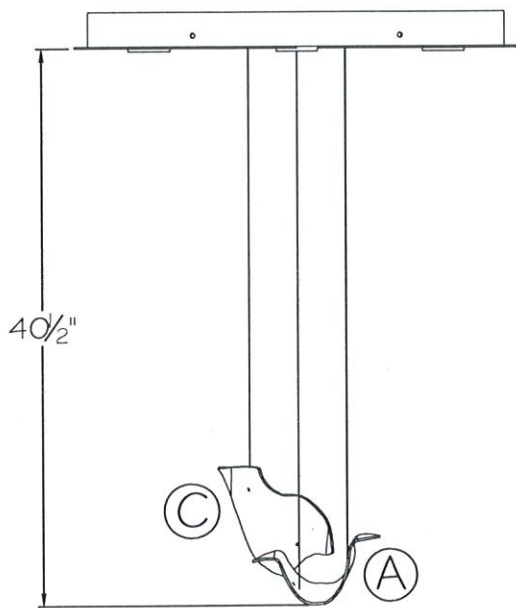
INSTRUCTION #: 00791506

SHEET 1 / 1

INSTRUCTION



BOTTOM VIEW



BOTTOM VIEW

**ROW 1**

GLASS TYPE	QUANTITY
TYPE A	1
TYPE B	0
TYPE C	1

- ROW 1 OF GLASSES TO BE INSTALLED FIRST.
- GATHER ALL OTHER CABLES TO EASILY ACCESS LAYER TO BE WORKED ON
- LETTERS IN CIRCLES ON DIAGRAM INDICATE GLASS TYPE THAT CORRESPONDS TO STICKERS ON GLASS
- START SLIDING GLASSES UP INTO POSITION AS SHOWN ON FRONT VIEW, STARTING FROM TOP TO BOTTOM
- SLIDE GRIPPER UP TO HOLD POSITION OF GLASS
- NOTE: MULTIPLE GLASSES MAY USE THE SAME CABLES

STYLE(S) #: 895840-162 -262 -172 -272



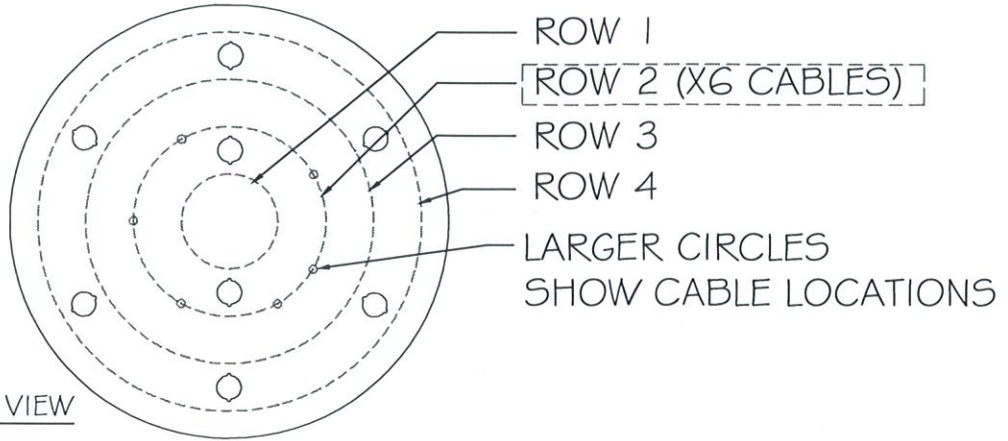
This drawing, specifications and the product depicted are the exclusive property of Fine Art Handcrafted Lighting®. In compliance with US copyright and patent requirements, notice is hereby given that this document and the product depicted shall not be copied, altered or used in any manner without the expressed written consent of Fine Art Handcrafted Lighting®.

FINE ART LAMPS®

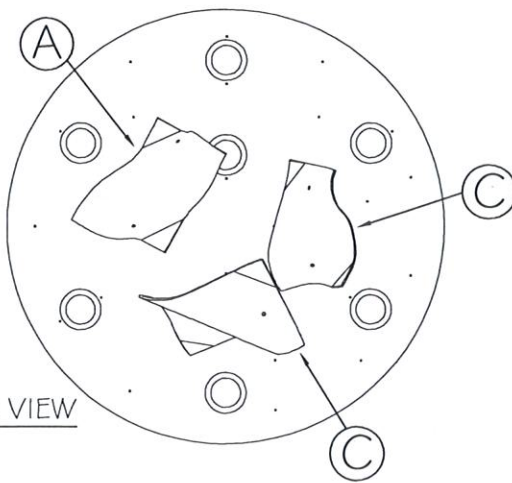
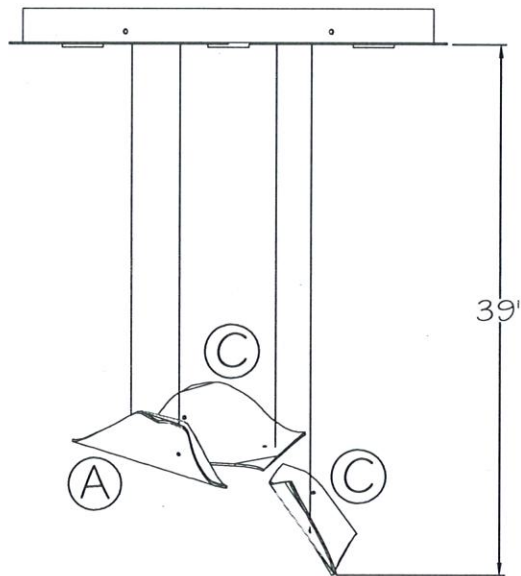
INSTRUCTION #: 00791498

SHEET 1 / 5

**INSTRUCTION**



BOTTOM VIEW



BOTTOM VIEW

ROW 2	
GLASS TYPE	QUANTITY
TYPE A	1
TYPE B	0
TYPE C	2
<ul style="list-style-type: none"> <li>- ROW 2 OF GLASSES TO BE INSTALLED NEXT.</li> <li>- START SLIDING GLASSES UP INTO POSITION AS SHOWN ON FRONT VIEW, <u>STARTING FROM TOP TO BOTTOM</u></li> <li>- SLIDE GRIPPER UP TO HOLD POSITION OF GLASS</li> <li>- NOTE: MULTIPLE GLASSES MAY USE THE SAME CABLES</li> </ul>	

STYLE(S) #: 895840-162 -262 -172 -272



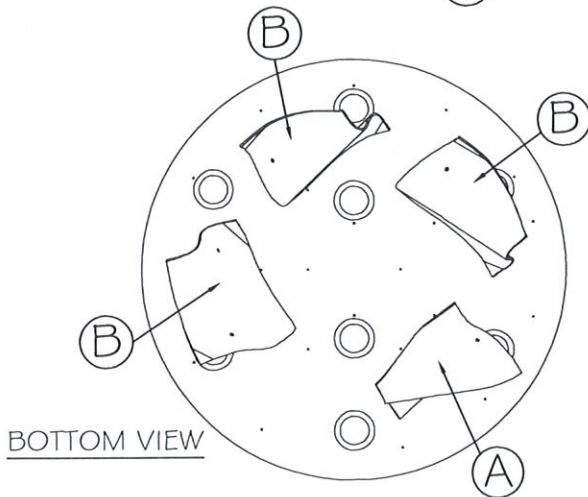
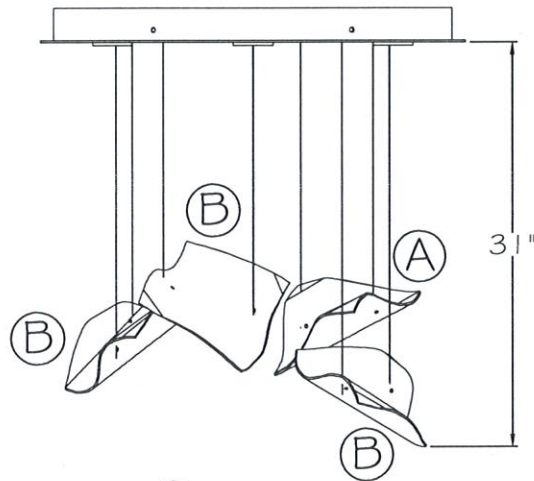
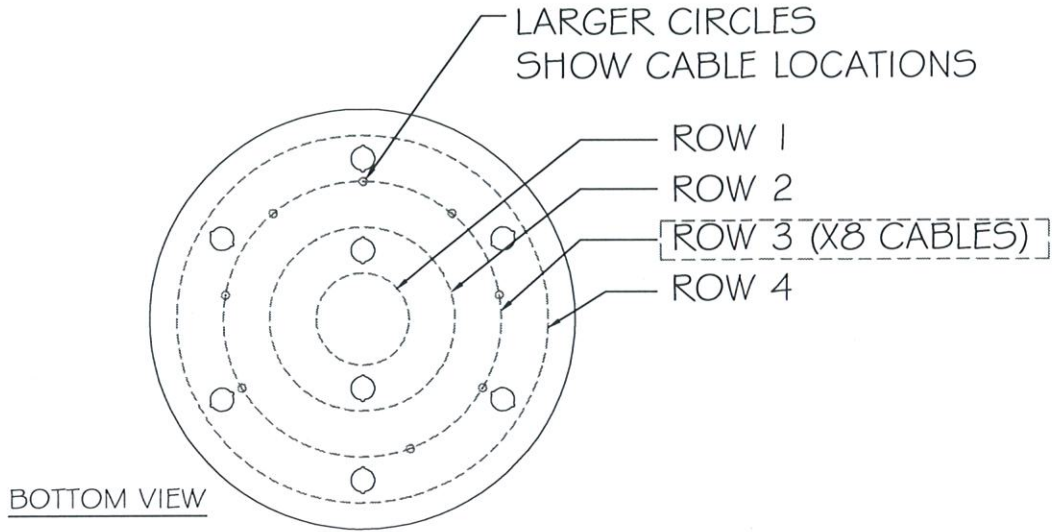
This drawing, specifications and the product depicted are the exclusive property of Fine Art Handcrafted Lighting®. In compliance with US copyright and patent requirements, notice is hereby given that this document and the product depicted shall not be copied, altered or used in any manner without the expressed written consent of Fine Art Handcrafted Lighting®.

FINE ART LAMPS®

INSTRUCTION #:  
00791498

SHEET  
2 / 5

**INSTRUCTION**



ROW 3	
GLASS TYPE	QUANTITY
TYPE A	1
TYPE B	3
TYPE C	0
<ul style="list-style-type: none"> <li>- ROW 3 OF GLASSES TO BE INSTALLED NEXT.</li> <li>- START SLIDING GLASSES UP INTO POSITION AS SHOWN ON FRONT VIEW, <u>STARTING FROM TOP TO BOTTOM</u></li> <li>- SLIDE GRIPPER UP TO HOLD POSITION OF GLASS</li> <li>- NOTE: MULTIPLE GLASSES MAY USE THE SAME CABLES</li> </ul>	

STYLE(S) #: 895840-162 -262 -172 -272



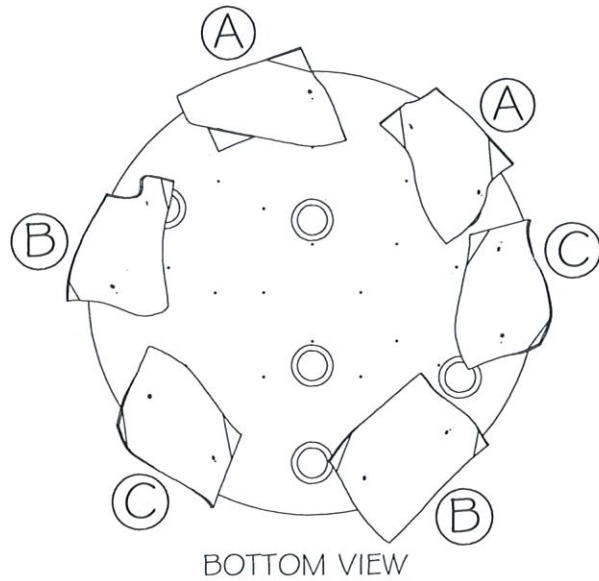
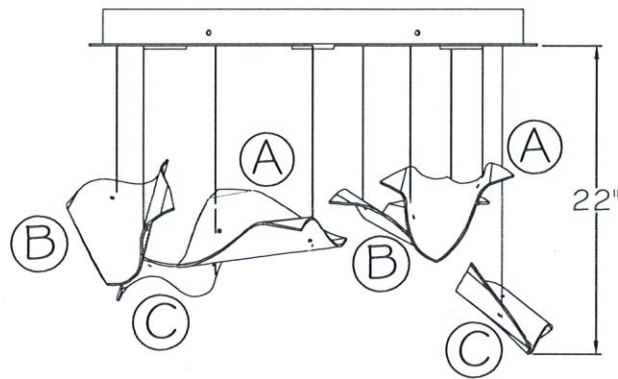
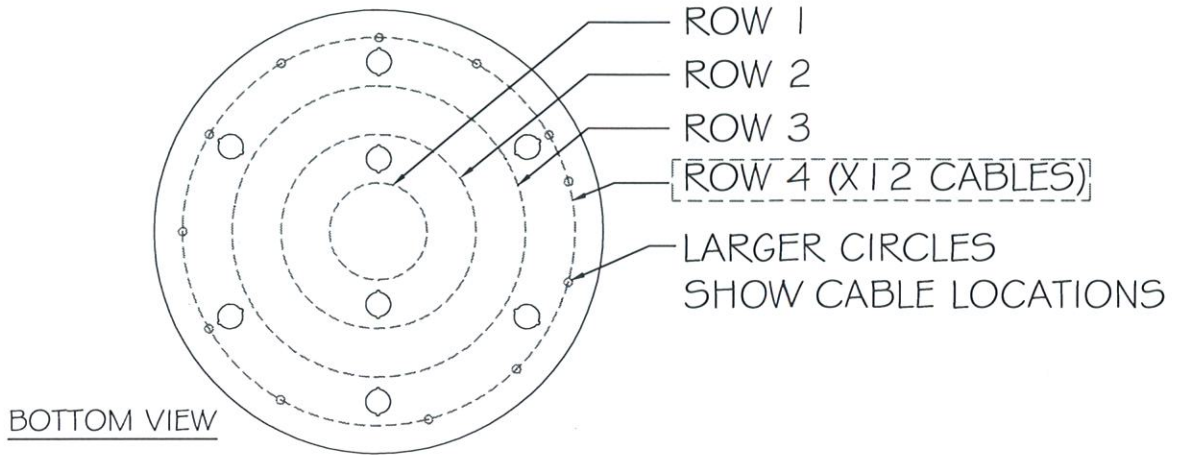
This drawing, specifications and the product depicted are the exclusive property of Fine Art Handcrafted Lighting®. In compliance with US copyright and patent requirements, notice is hereby given that this document and the product depicted shall not be copied, altered or used in any manner without the expressed written consent of Fine Art Handcrafted Lighting®.

FINE ART LAMPS®

INSTRUCTION #: 00791498

SHEET 3 / 5

**INSTRUCTION**



ROW 4	
GLASS TYPE	QUANTITY
TYPE A	2
TYPE B	2
TYPE C	2
<ul style="list-style-type: none"> <li>- ROW 4 OF GLASSES TO BE INSTALLED NEXT.</li> <li>- START SLIDING GLASSES UP INTO POSITION AS SHOWN ON FRONT VIEW, <u>STARTING FROM TOP TO BOTTOM</u></li> <li>- <u>SLIDE GRIPPER UP TO HOLD POSITION OF GLASS</u></li> <li>- NOTE: MULTIPLE GLASSES MAY USE THE SAME CABLES</li> </ul>	

STYLE(S) #: 895840-162 -262 -172 -272

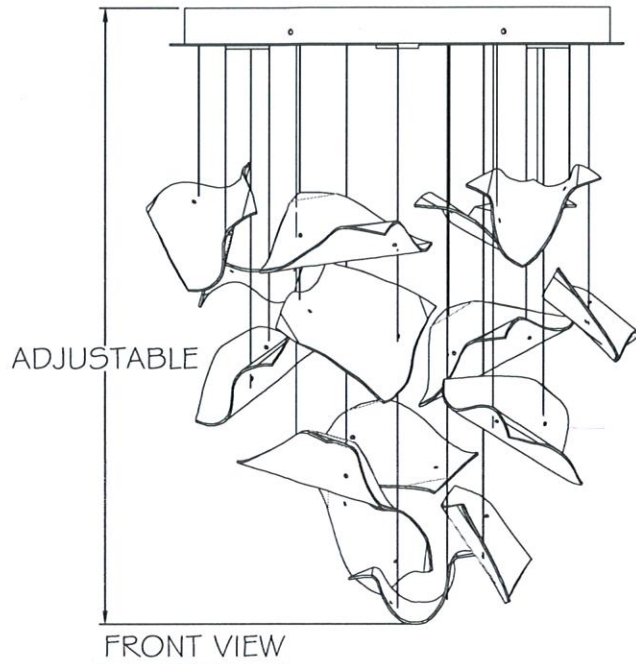
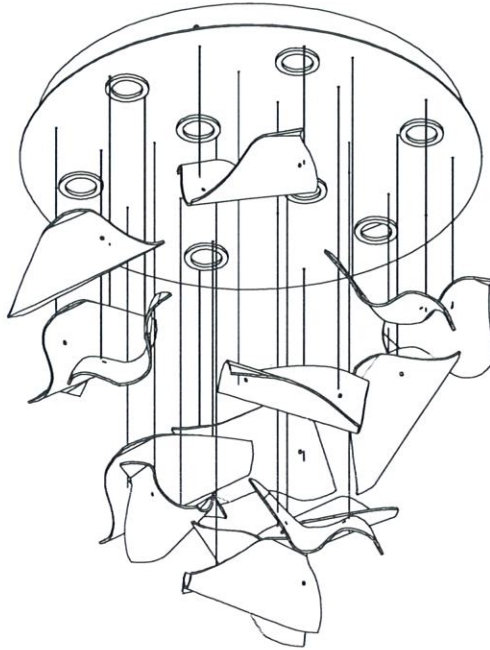


This drawing, specifications and the product depicted are the exclusive property of Fine Art Handcrafted Lighting®. In compliance with US copyright and patent requirements, notice is hereby given that this document and the product depicted shall not be copied, altered or used in any manner without the expressed written consent of Fine Art Handcrafted Lighting®.

FINE ART LAMPS®

INSTRUCTION #: 00791498  
SHEET 4 / 5

# INSTRUCTION



- ONCE ALL GLASSES ARE INSTALLED AND FINAL GLASS POSITION IS ACHIEVED, ENSURE TO CUT EXCESS CABLES UP TO HARDWARE OF LOWEST GLASSES. REFERENCE INSTALLATION INSTRUCTIONS.

STYLE(S) #: 895840-162 -262 -172 -272

**FINE  
ART**  
HANDCRAFTED LIGHTING

This drawing, specifications and the product depicted are the exclusive property of Fine Art Handcrafted Lighting®. In compliance with US copyright and patent requirements, notice is hereby given that this document and the product depicted shall not be copied, altered or used in any manner without the expressed written consent of Fine Art Handcrafted Lighting®.

FINE ART LAMPS®

INSTRUCTION #:

00791498

SHEET

5 / 5