


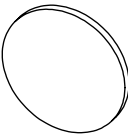




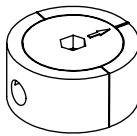
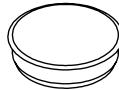
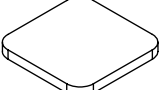
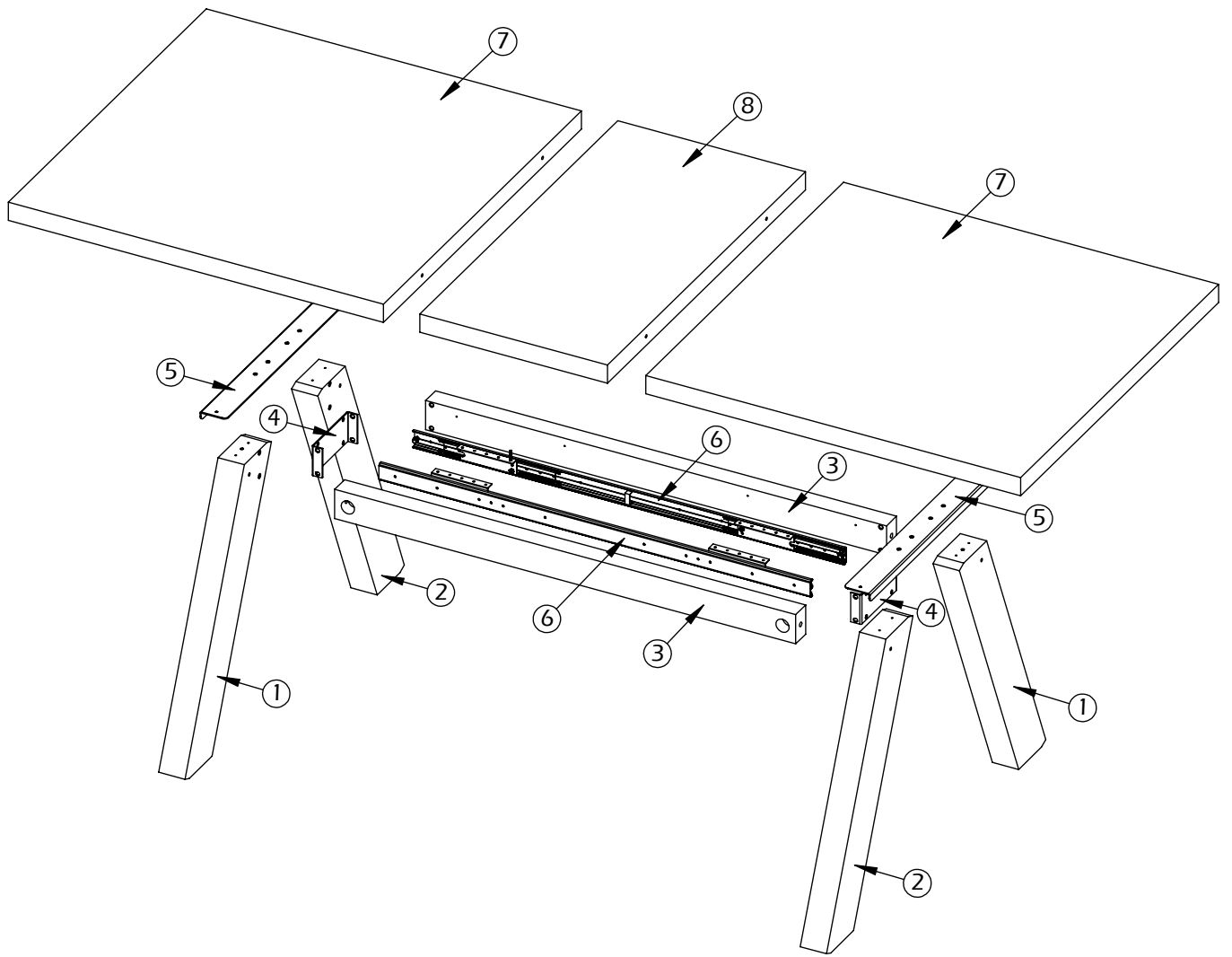
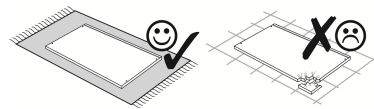
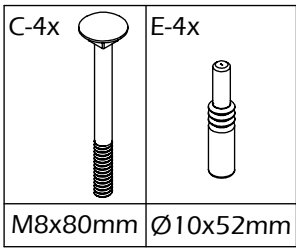


<p>A - 32x</p>  <p>Ø3x16mm</p>	<p>B - 8x</p>  <p>5x40mm</p>	<p>C - 4x</p>  <p>M8x80mm</p>
---	---	--

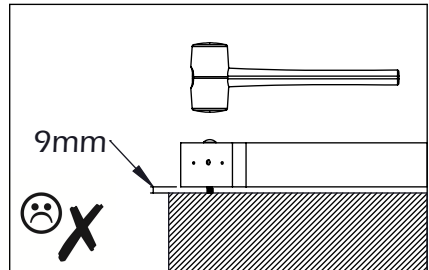
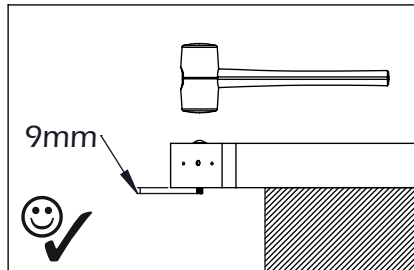
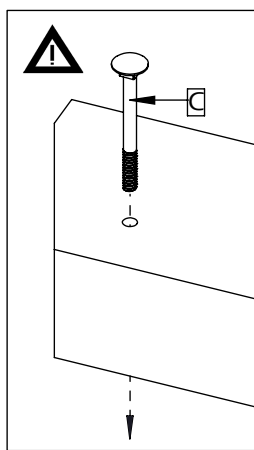
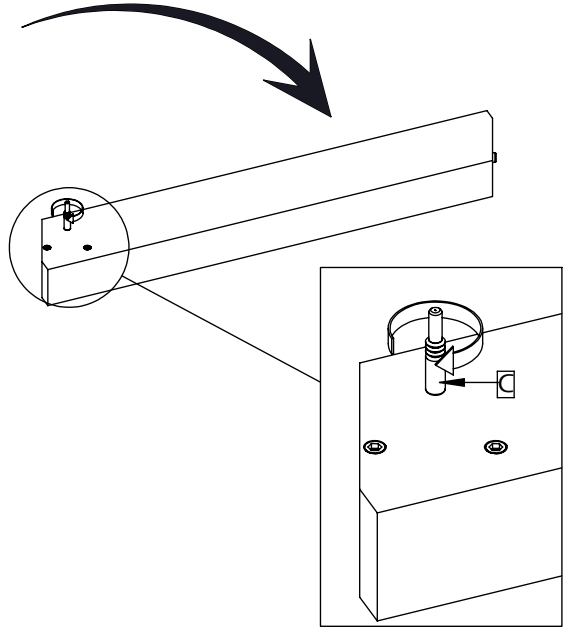
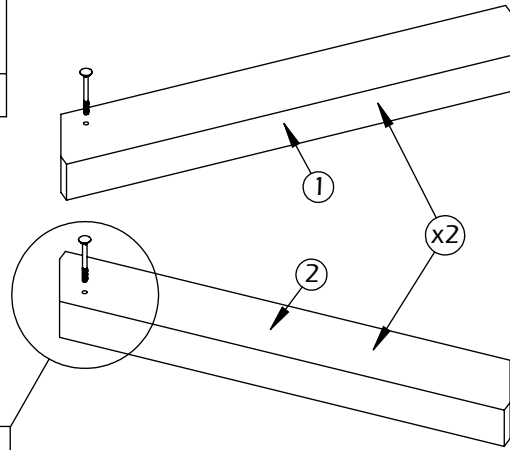
<p>D - 4x</p>  <p>Ø55x3,5mm</p>	<p>E - 4x</p>  <p>Ø10x52mm</p>	<p>F - 1x</p>  <p>92x28x6mm</p>	<p>G - 1x</p>  <p>67x27x4mm</p>	<p>H - 16x</p>  <p>M6x16mm</p>	<p>I - 4x</p>  <p>M35x17mm</p>	<p>J - 4x</p>  <p>Ø35x10mm</p>	<p>K - 4x</p>  <p>32x32x3mm</p>
---	---	--	--	---	---	---	--



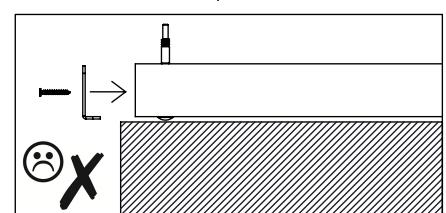
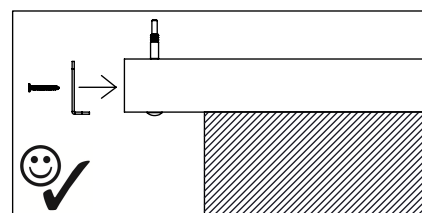
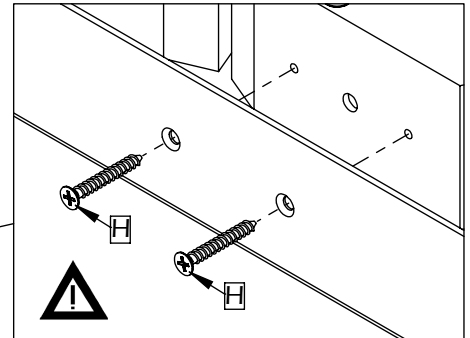
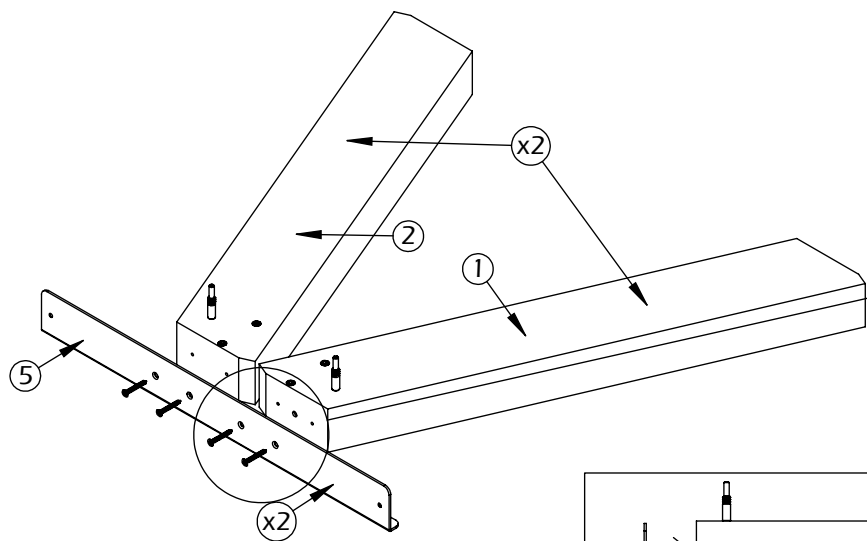
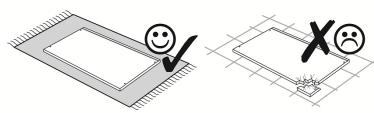
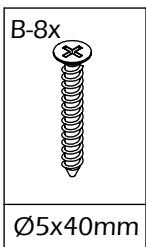
1



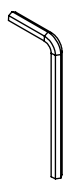


180°

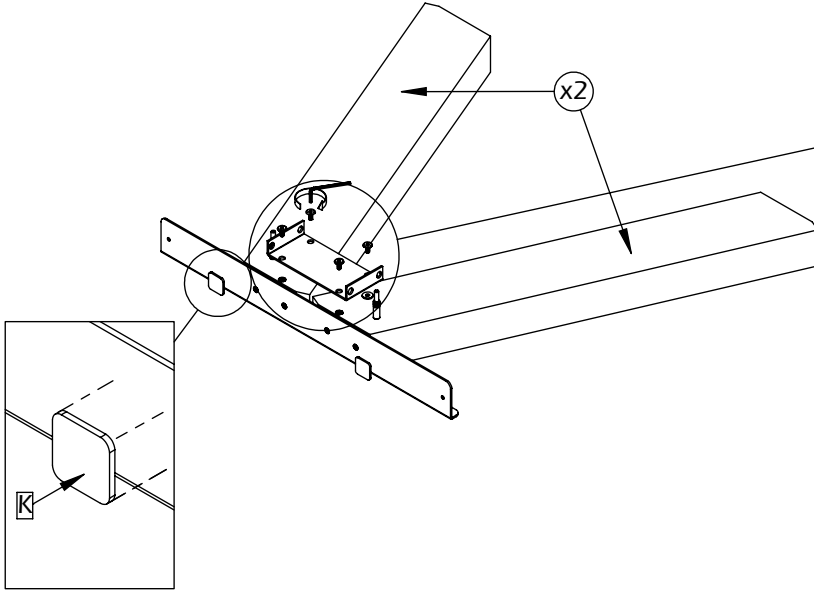
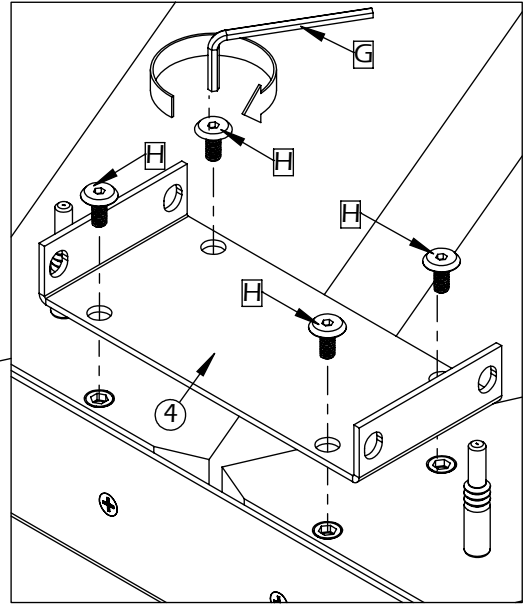
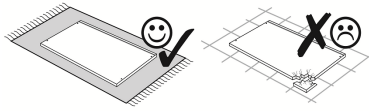


2


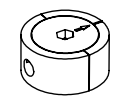


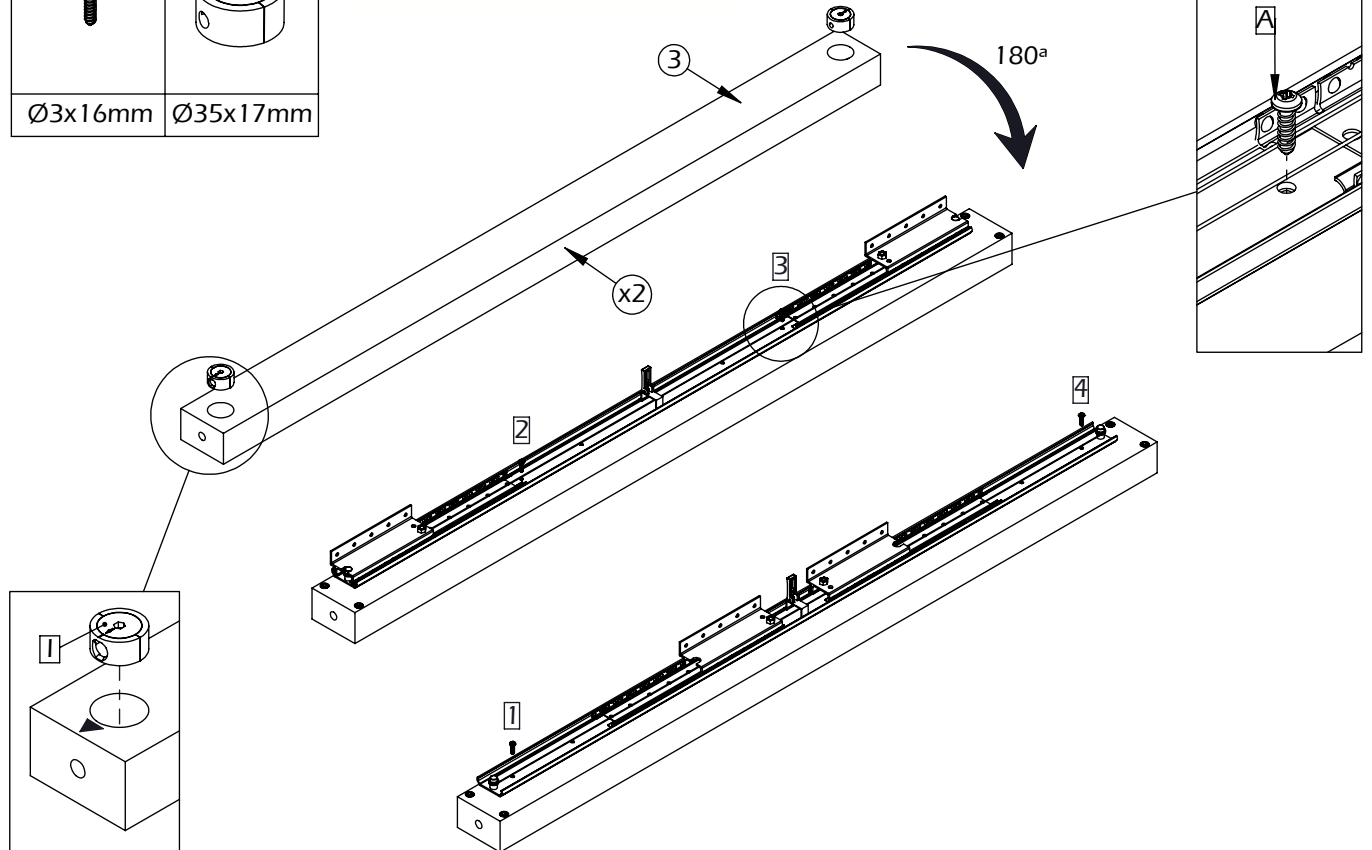
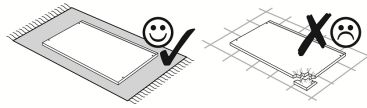
3

G-1x 	H-8x 	K-4x 
67x27x4mm	M6x16mm	32x32x3mm



4

A-8x 	I-4x 
Ø3x16mm	Ø35x17mm

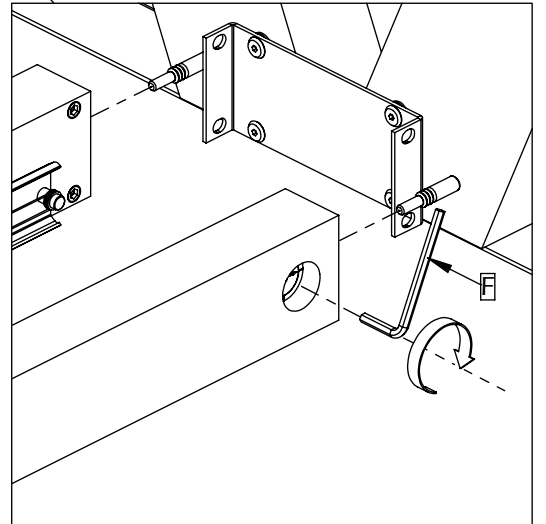
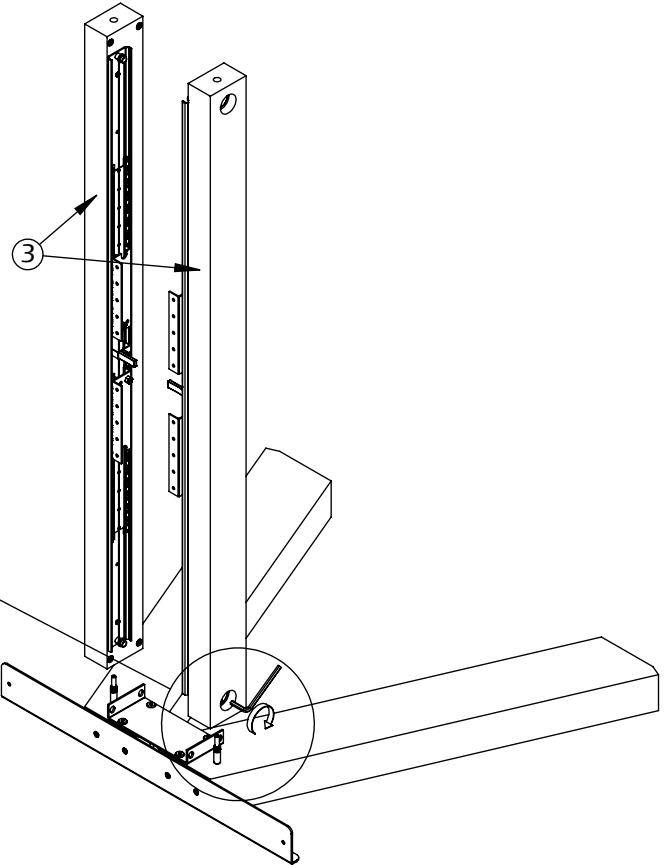
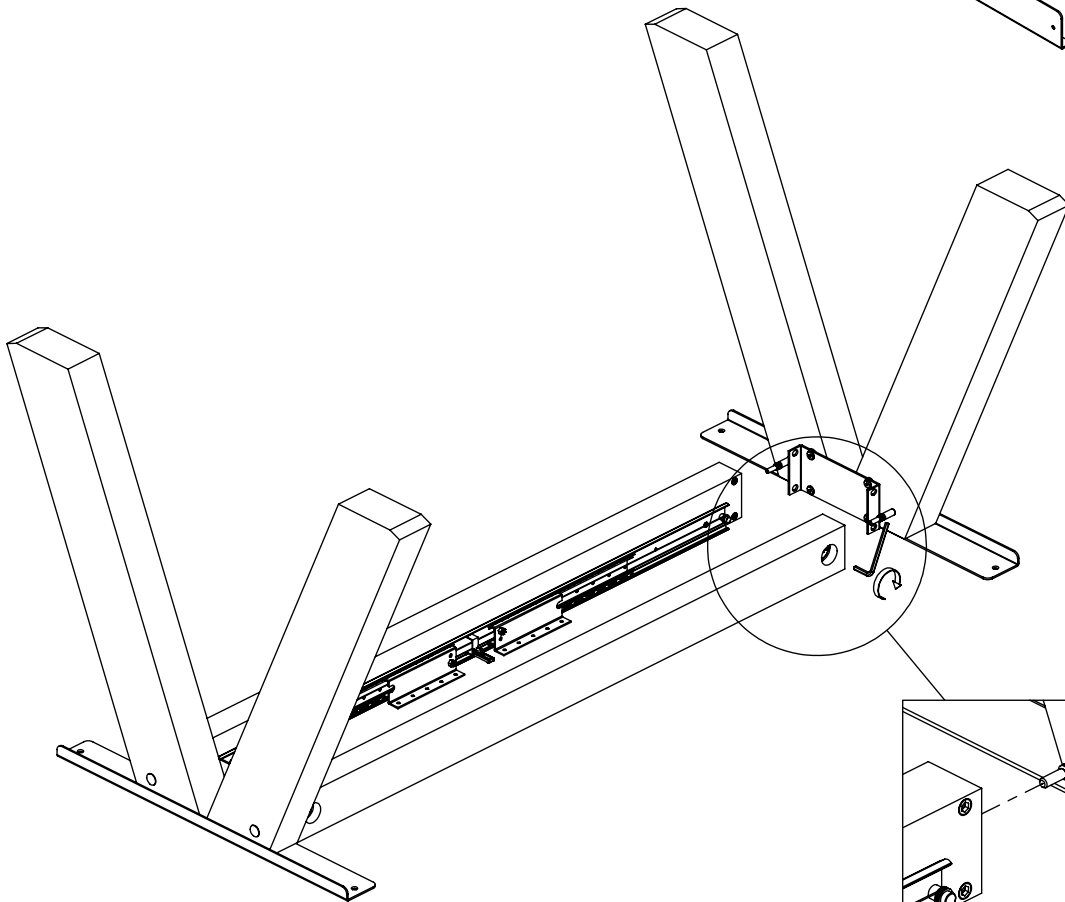
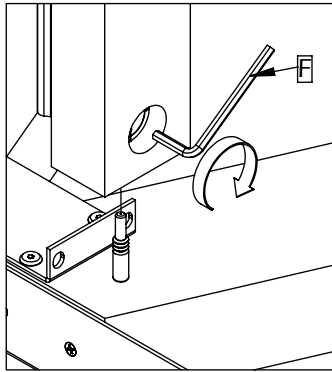
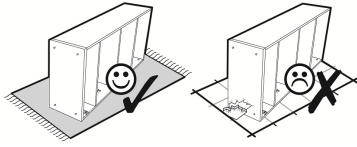


5




F-1x

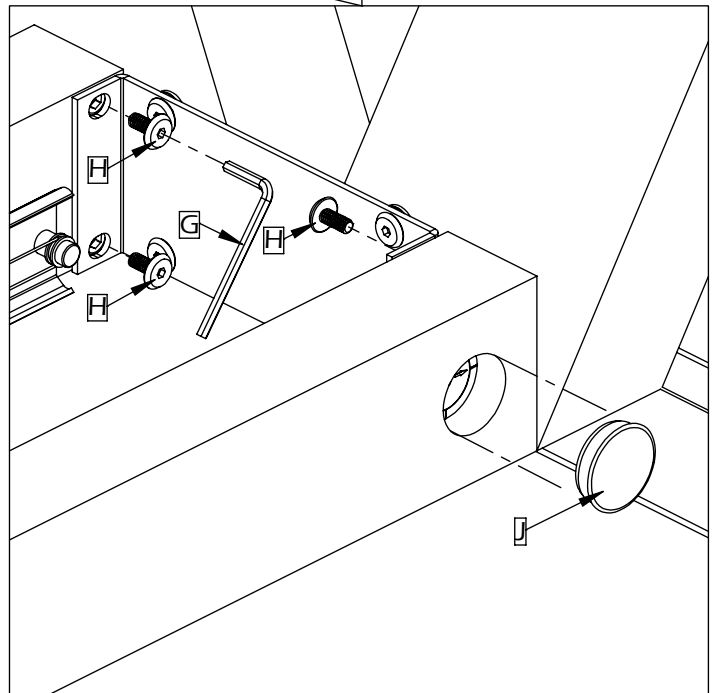
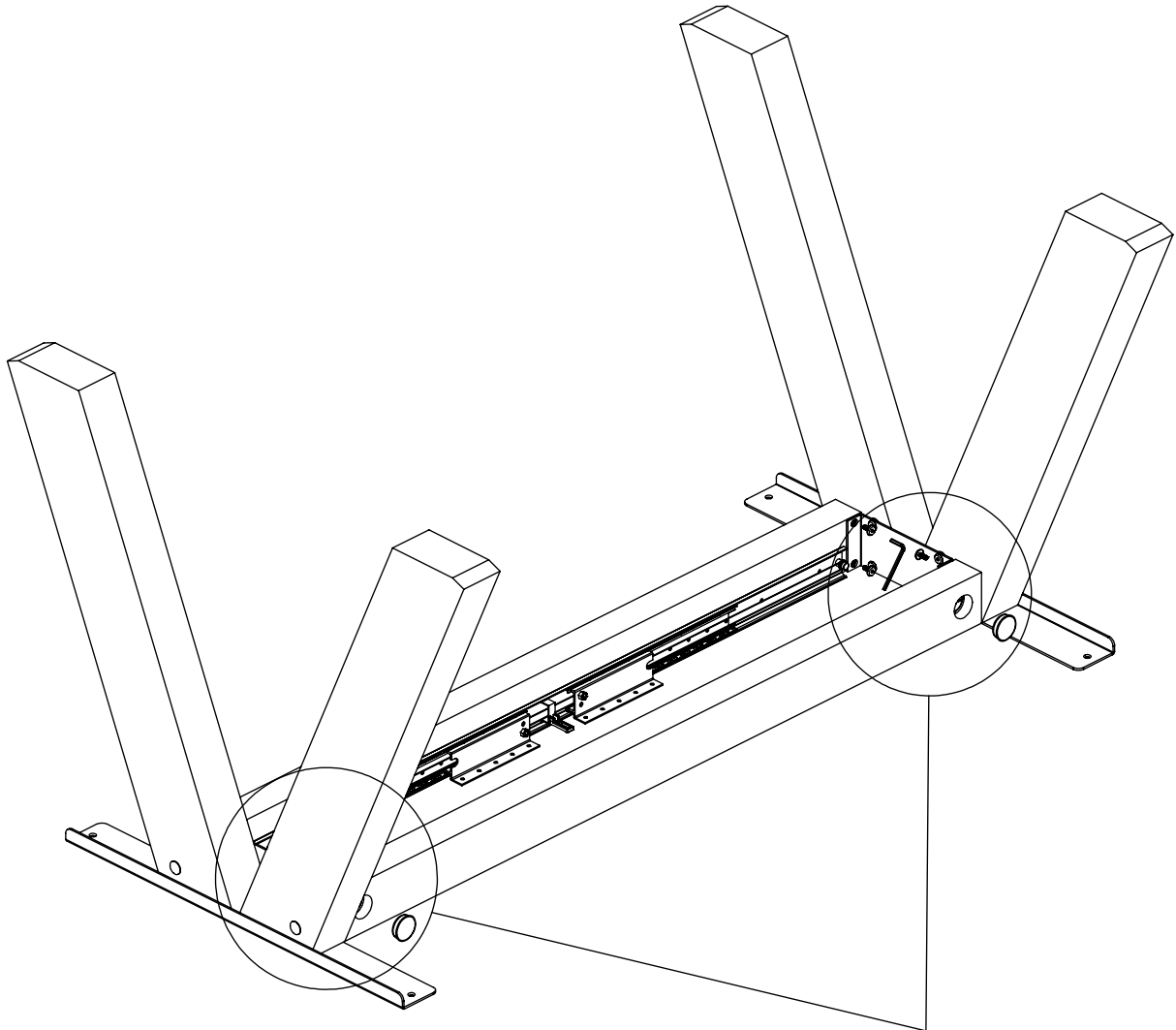
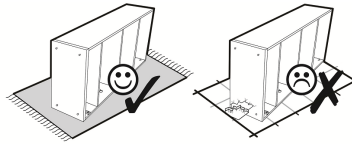


92x28x6mm


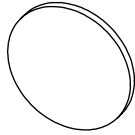


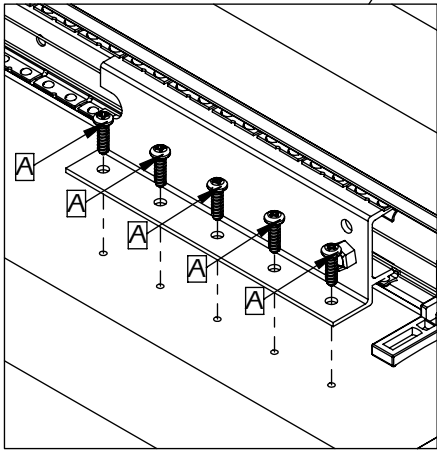
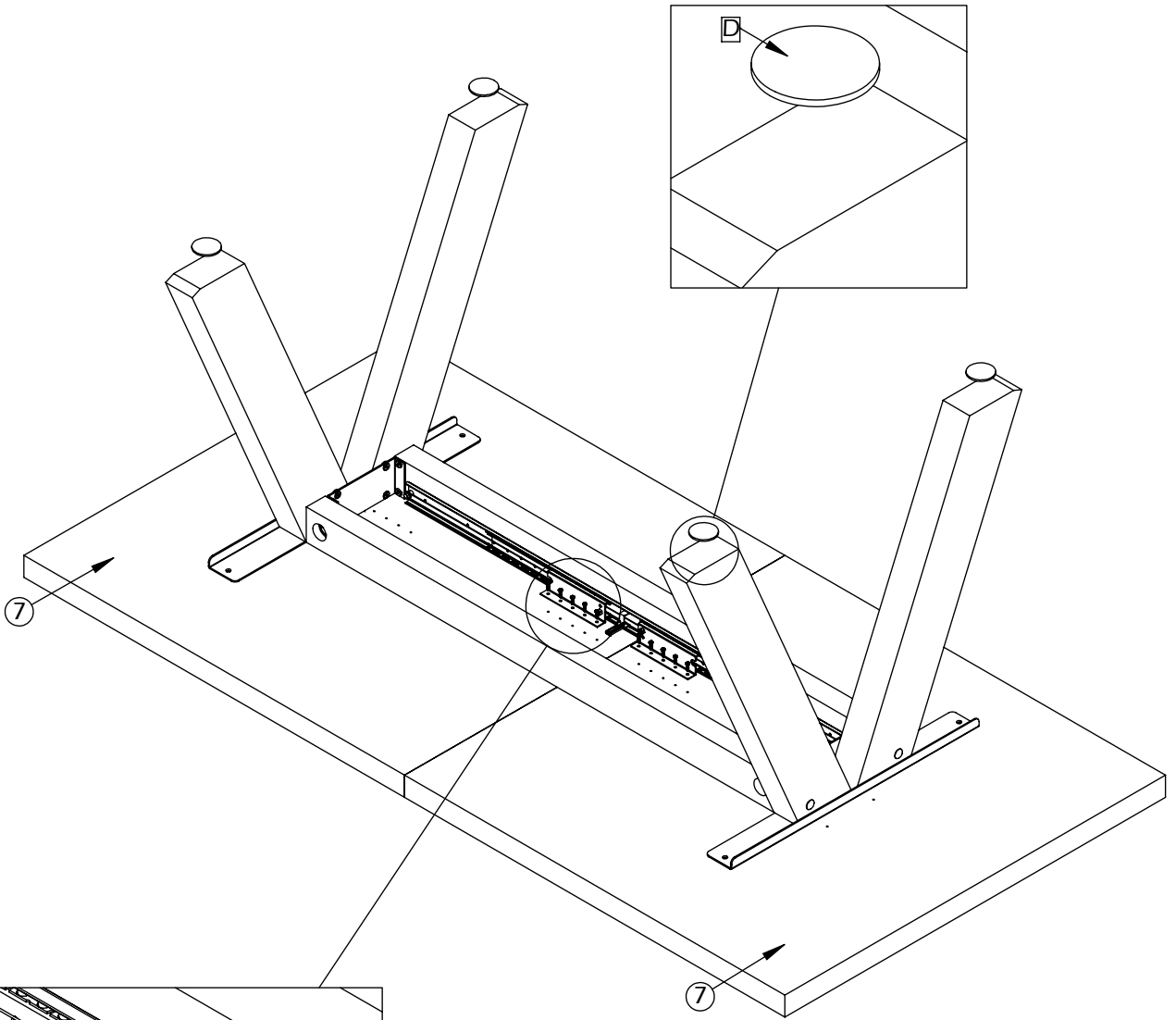
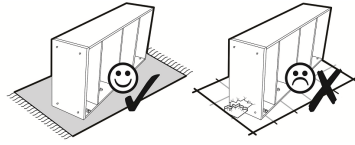
6

G-1x 	H-8x 	J-4x 
67X27x4mm	M6x16mm	Ø35x10mm



7

A-20x	D-4x
	
Ø3x16mm	Ø55x3,5mm



8

