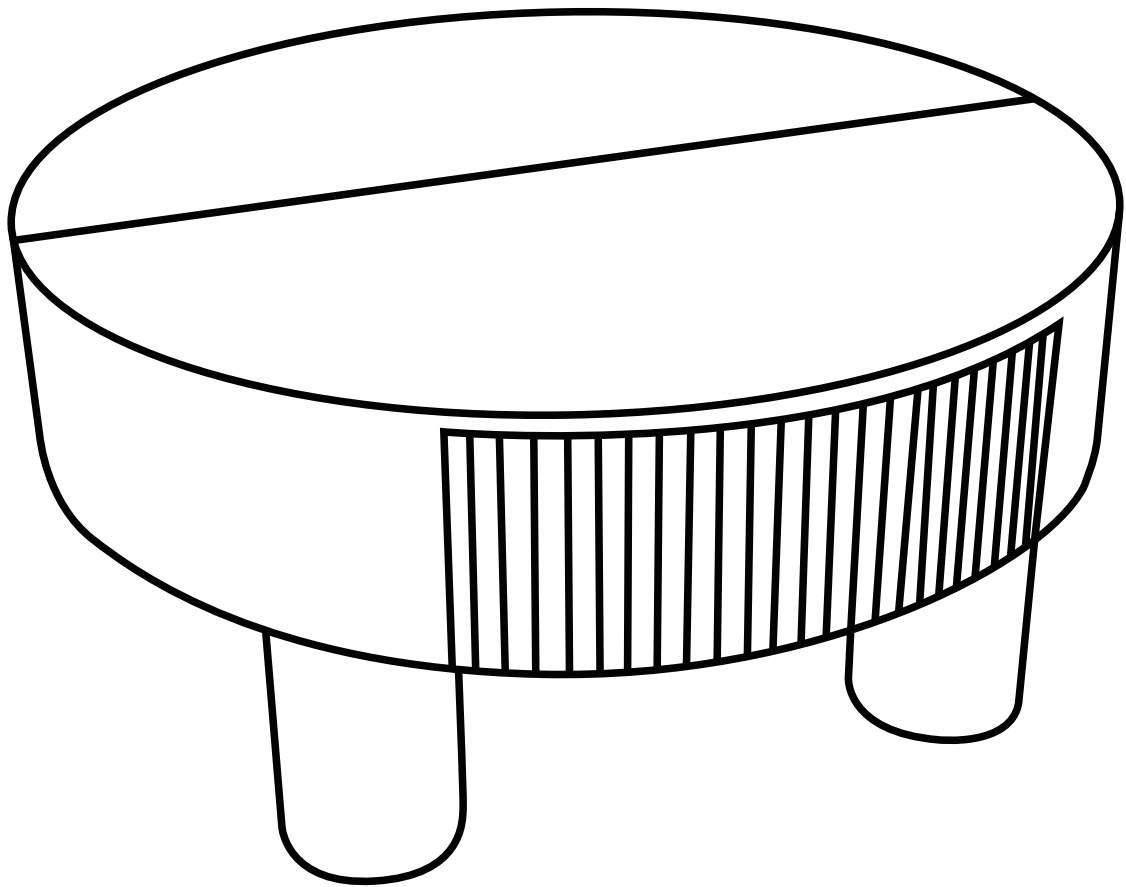
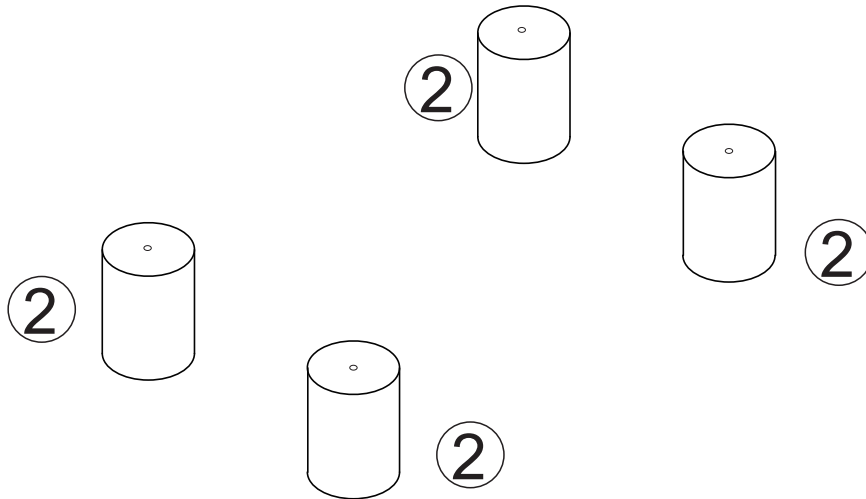
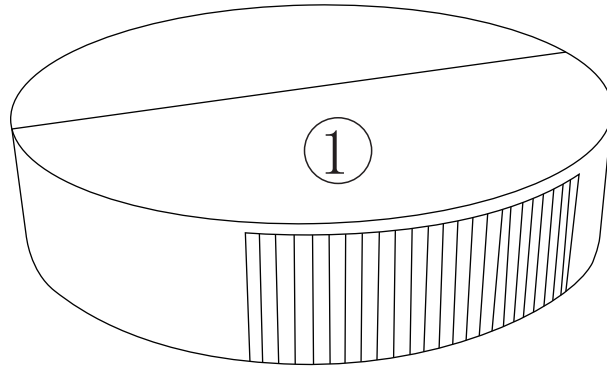
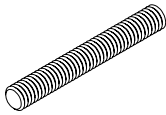
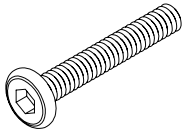

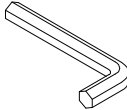


ASSEMBLY INSTRUCTIONS

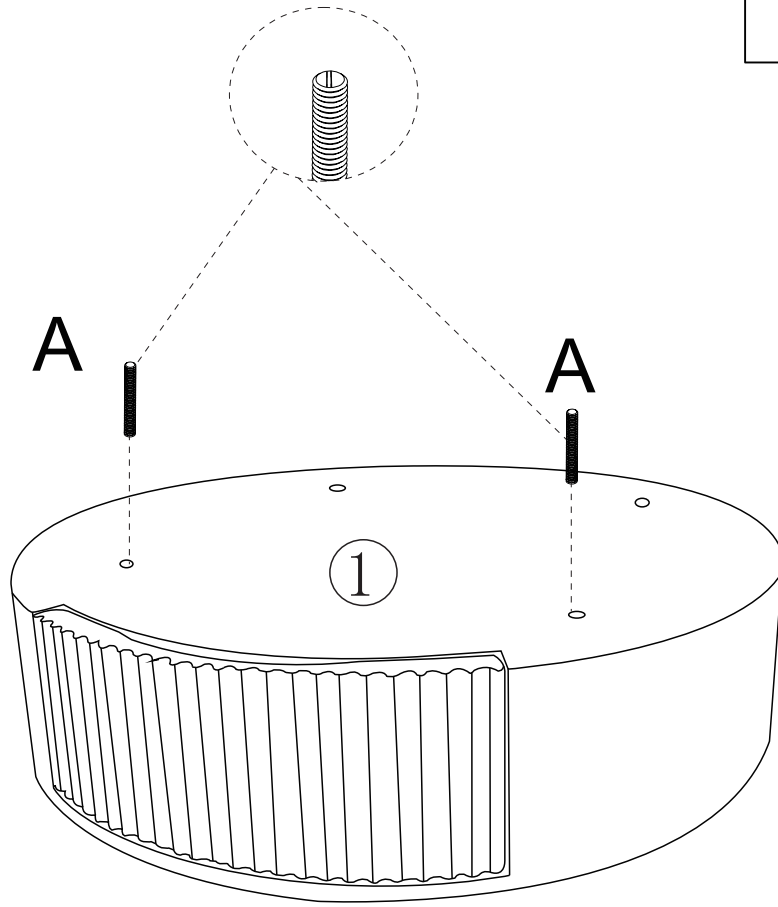




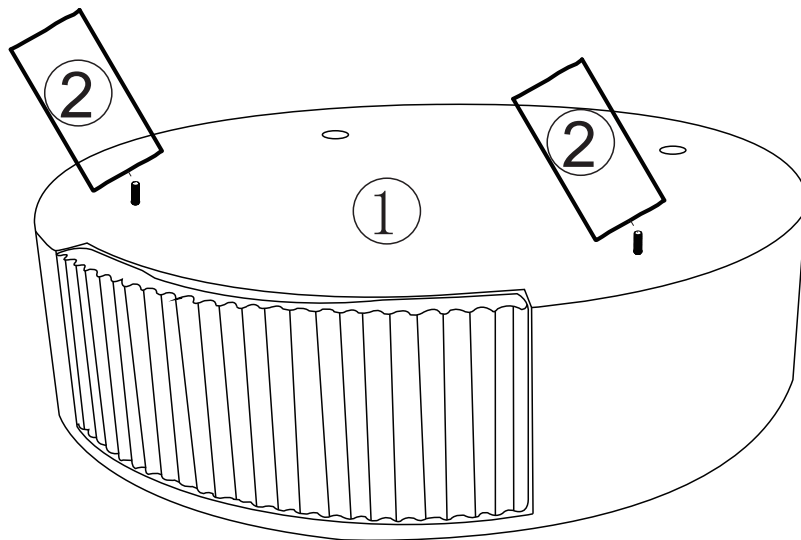
A  2PCS	B  2PCS	C  2PCS	D  1PC
---	---	--	--

STEP 1

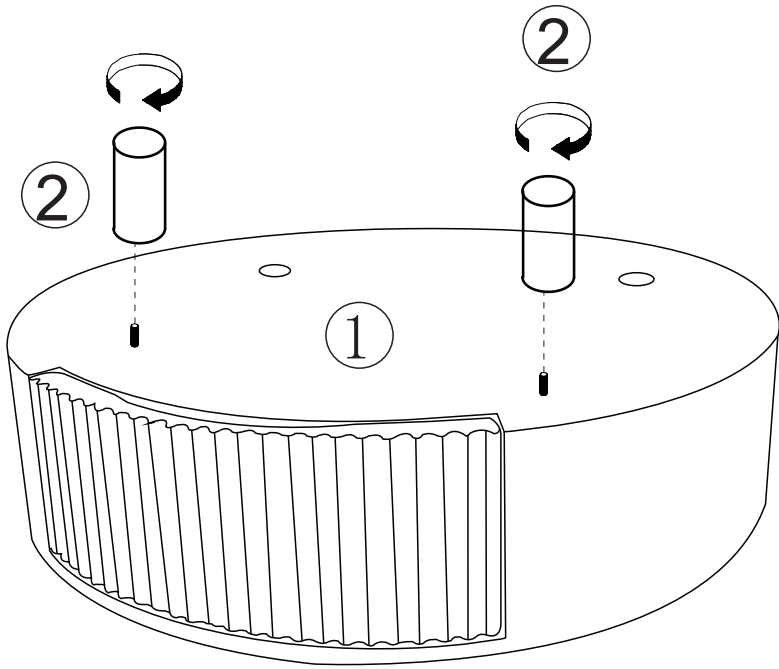
 Ax2pcs



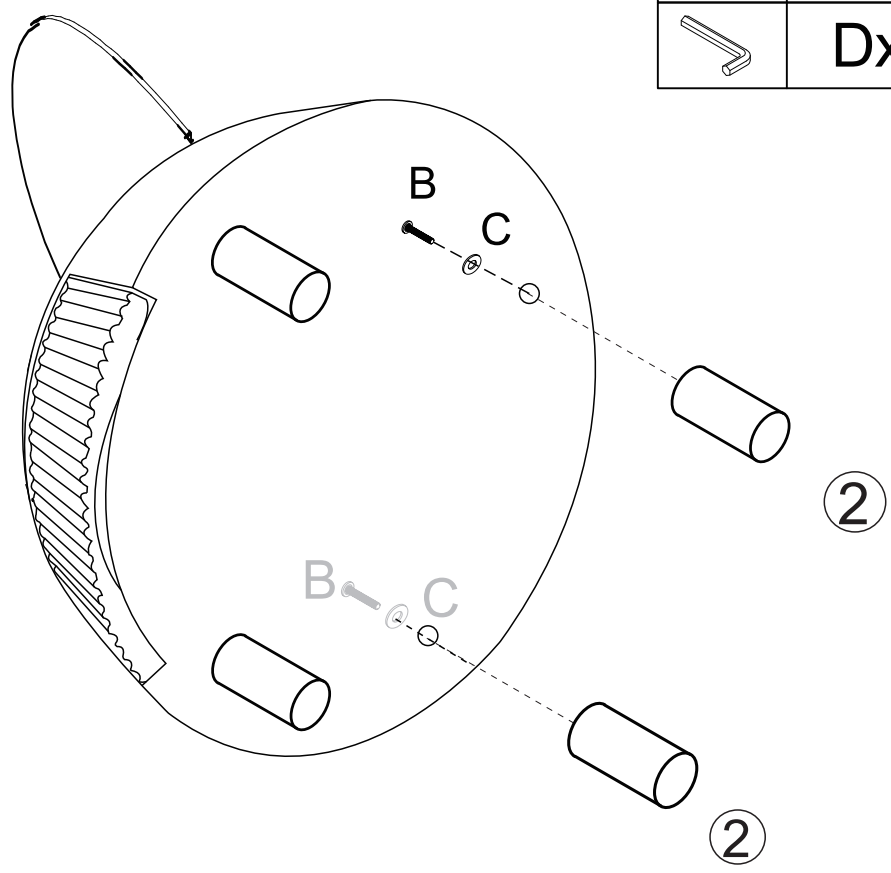
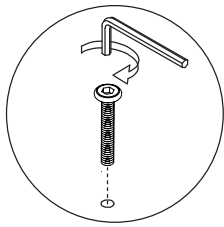
STEP 2

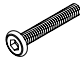




STEP 3



STEP 4



	Bx2pcs
	Cx2pcs
	Dx1pc